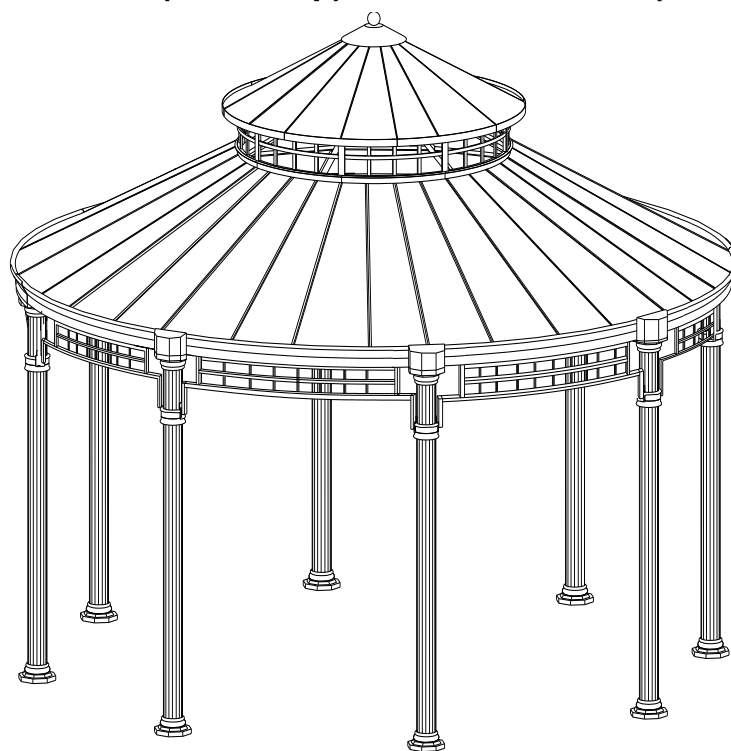


# Assembly Instructions

D-GZ846PCO-J (Black Top) / D-GZ846PCO-J1 (Faux Copper Top)



**Congratulations on your purchase of our SUNJOY Round Hardtop Gazebo. Our clear, easy to follow, step-by-step instructions will guide you through the assembly process from start to finish.**

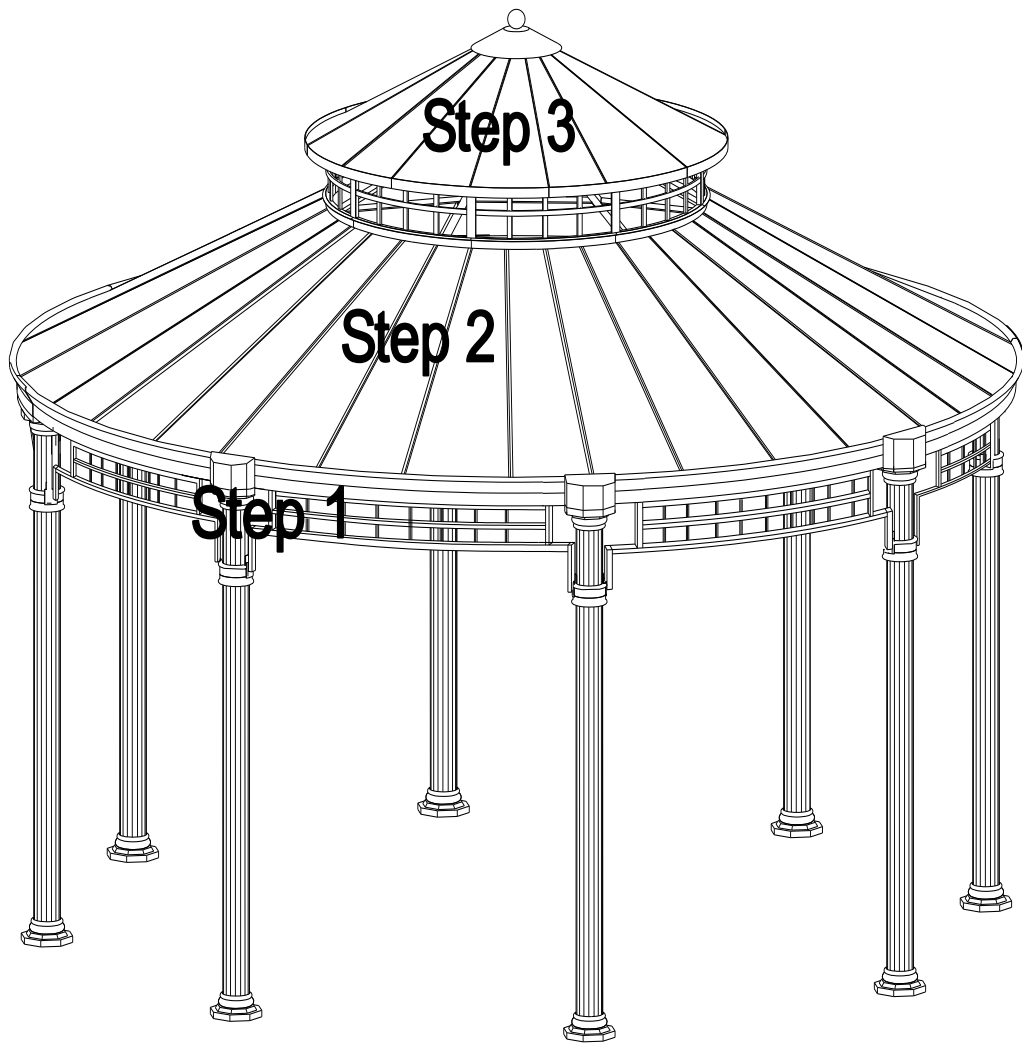
## **WARNING:**

- This unit is heavy. Do not assemble this item alone. 6-8 people are recommended for safe assembly.
- Keep all children and pets away from assembly area. Children and pets should be supervised when they are in the area of the Gazebo construction.
- Keep assembly area at least 6 feet from any obstruction such as a fence, garage, house, overhanging branches, laundry line or electrical wires.
- Some parts may contain sharp edges. When assembling and using this product, basic safety precautions should always be followed to reduce the risk of personal injury and damage to the product. Please read all instructions before assembly and use.
- Check all bolts for tightness before use, and periodically check and tighten bolts as necessary.
- Assemble on level ground.



### **IMPORTANT**

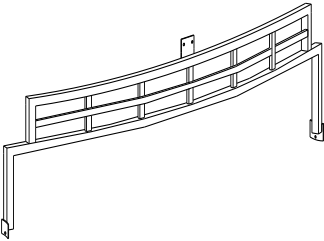

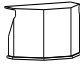



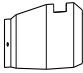
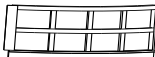

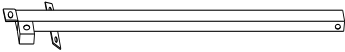
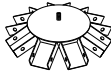
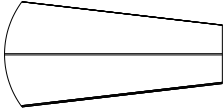
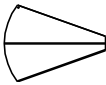

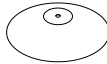
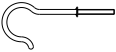
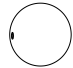
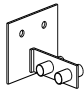
Please take time to read these instructions thoroughly and follow each step carefully for safe and easy operation. Keep this manual for future reference.

For technical assistance on assembly or replacement parts, call Sunjoy Industries at 1-866-578-6569 from 8:30AM to 5:30PM EST, or email us at [customer@sunjoygroup.com](mailto:customer@sunjoygroup.com), or visit [www.sunjoydirect.com](http://www.sunjoydirect.com) for assistance.

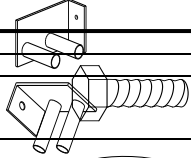
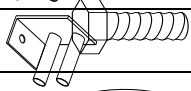
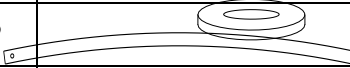
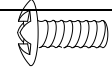
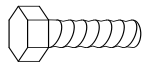
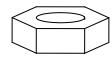
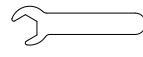


## Parts List

Description	No.	Qty	Picture
Post	A	8	
Base	B	8	

Arch support	C	8	
Decorative groove	D	8	
Connector	E	8	
Oblique beam 1	F	8	
Oblique beam 2	G	8	
Apron piece	H	16	
Inner baffle	I	8	
Small roof frame	J	8	
Small roof crosspiece spot	K	8	
Small roof oblique beam	L	8	
Small roof connector	M	1	
Big roof cover plate	N	16	
Small roof cover plate	O	8	
Cover Presser	P	16	
Small Roof Cover	Q	1	
Hook	R	1	
Finial	S	1	
Netting and Curtain Rods Connecting 1	T1	8	

# Hardware Pack 1

Netting and Curtain Rods Connecting 2	T2	8		
Netting and Curtain Rods Connecting 3	Bolt M6X20 T3	8	64PCS	
Netting and Curtain Rods	Flat Washer M6 U	32	112PCS	
DD	Bolt M6X15		16PCS	
EE	Bolt M6X35		16PCS	
GG	Nut M6		16PCS	
W	Wrench M6		2 PCS	

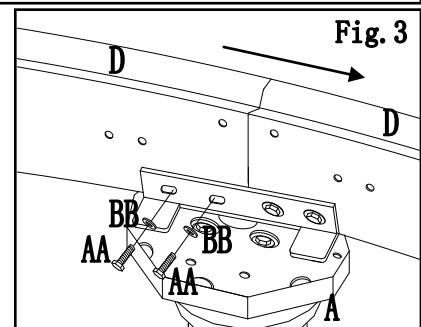
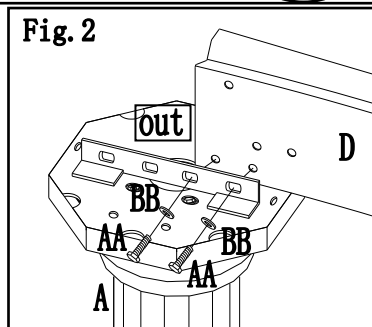
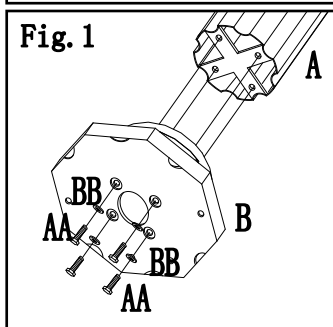
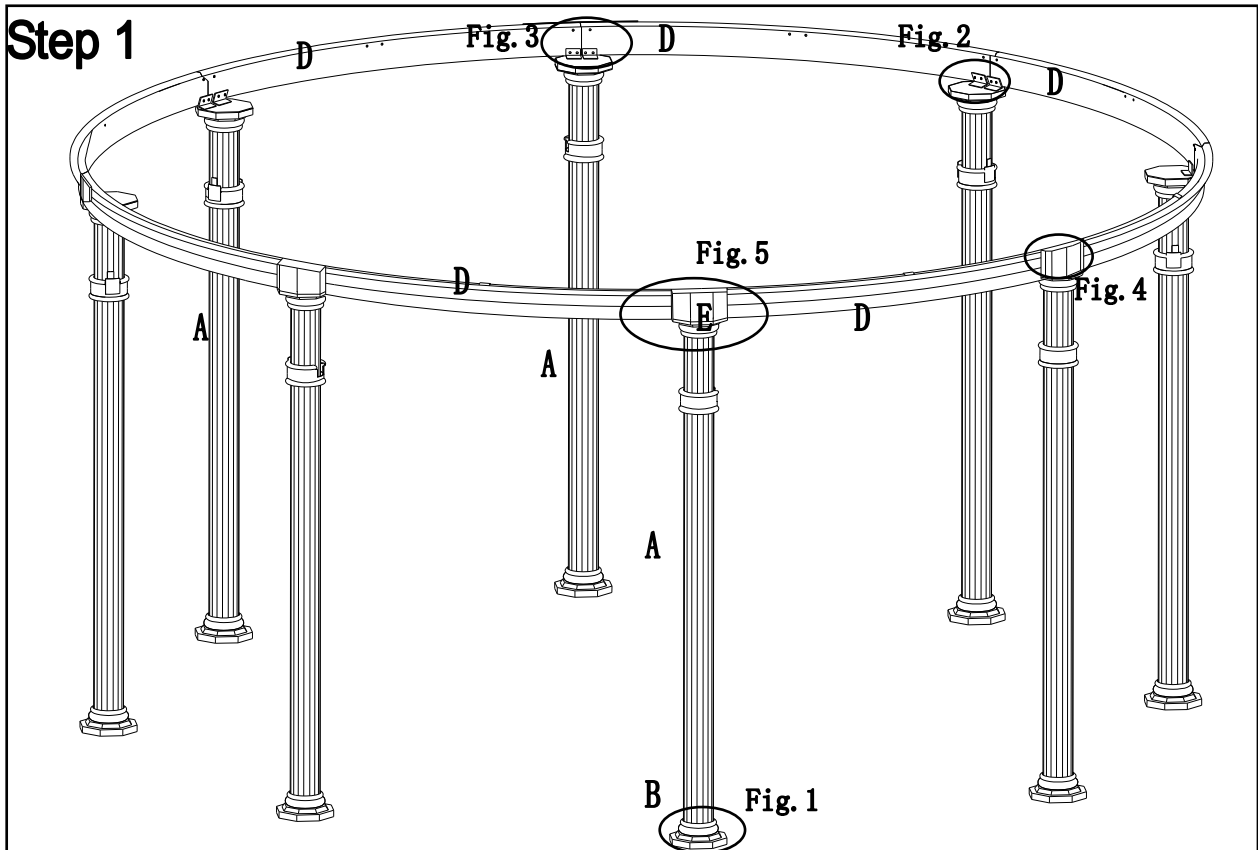


Fig.1: Attach Base (B) to Post (A) by Bolt (AA) and Flat Washer (BB). Lock tightly.

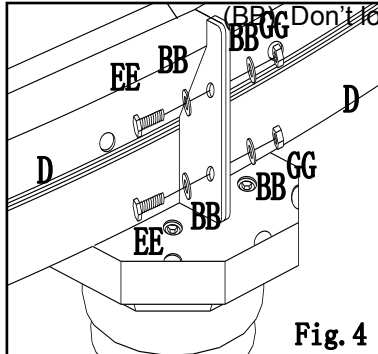


Fig.2: Attach Decoration Gutter Connector (D) to Post (A) by Bolt (AA) and Flat Washer (BB). Don't lock tight.

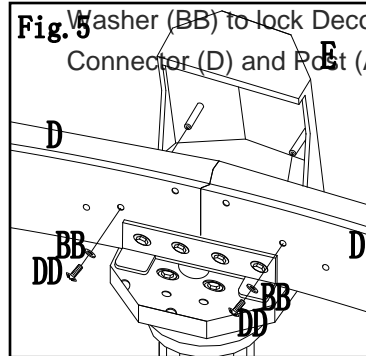

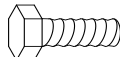


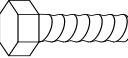
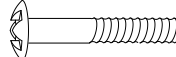

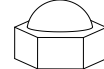


Fig.3: Insert another part of Decoration Gutter Connector (D) into assembled Decoration Gutter Connector, then use Bolt (AA) and Flat Washer (BB) to lock Decoration Gutter Connector (D) and Post (A) tightly.

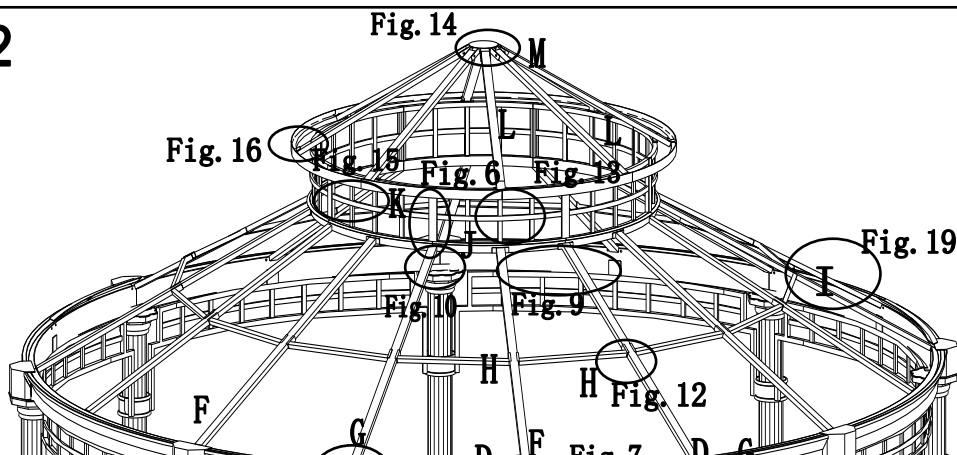
Fig.4: Attach Decoration Gutter Connector (D) to the outer connect plate together by use Bolt (EE), Flat Washer (BB) and Nut (GG). Lock them tightly.

Fig.5: Attach Cover (E) to Decoration Gutter Connector (D) by use Screw (DD) and Flat Washer (BB). Lock them tight.

**Hardware Pack 2**

BB	Flat Washer M6	232 PCS	
AA	Bolt M6X20	16 PCS	
CC	Bolt M6X15	136PCS	
DD	Bolt M6X15	32PCS	
EE	Bolt M6X35	16PCS	
FF	Bolt M6X55	8PCS	
GG	Nut M6	24PCS	
II	Plastic Cover	48 PCS	

**Step 2**



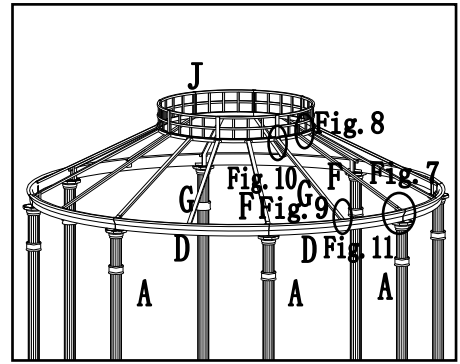
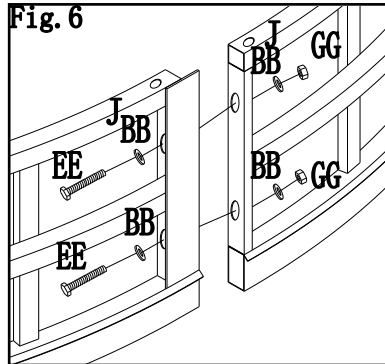
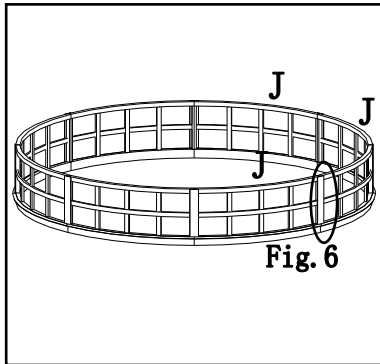


Fig.6: Connect Big Roof Frame (J) by Bolt (EE), Flat Washer (BB) and Nut (GG). Lock tightly.

There need 2 person to lift the assembled Big Roof Frame (J) and need 1 more person to assemble Oblique Beam 1 & 2(F&G).

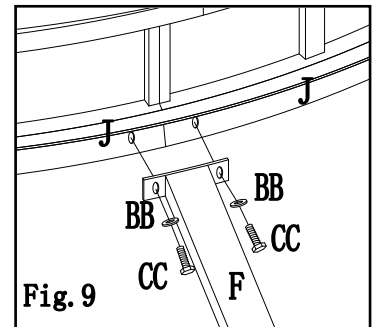
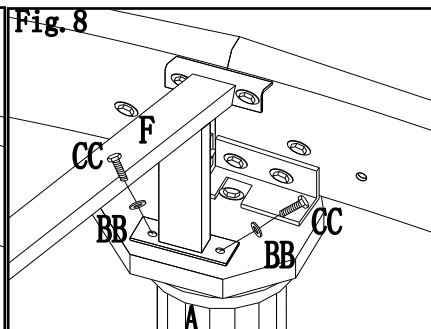
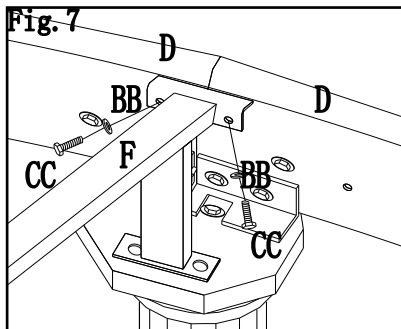


Fig.7: Connect Oblique Beam 1 (F) and Decoration Gutter (D) by Bolt (CC) and Flat Washer (BB).

Fig.8: Attach Oblique Beam 1(F) to Post (A) and lock them tightly by Bolt (CC) and Flat Washer (BB).

Fig.9: Attach Lock Oblique Beam 1 (F) to Big Roof Frame (J) and lock them tightly by Bolt (CC) and Flat Washer (BB).

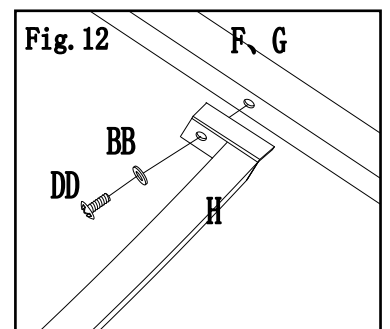
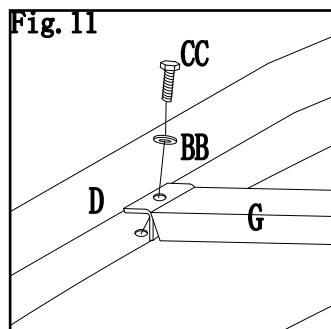
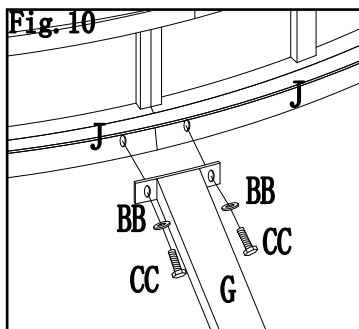


Fig.10: Attach Lock Oblique Beam 2 (G) to Big Roof Frame (J) and lock them tightly by Bolt (CC) and Flat Washer (BB).

Fig.11: Attach Oblique beam 2 (G) to Decoration Gutter (D) and lock them tightly by Bolt (CC) and Flat Washer (BB).

Fig.12: Attach Big Roof Beam(H) to Oblique Beam 1&2 (F&G) and lock them tightly by Screw (DD) and Flat Washer (BB).

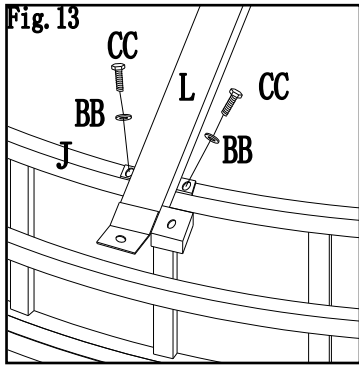


Fig.13: Lock Small Roof Inclined Beam (L) and Big Roof Frame (J) tightly by Bolt (CC) and Flat Washer (BB). Don't lock tight.

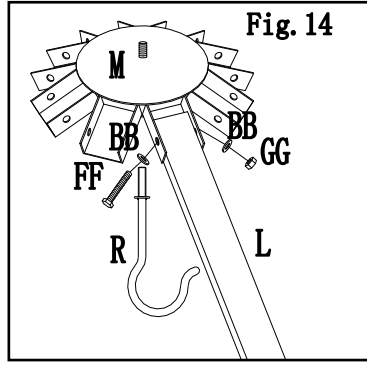


Fig.14: Attach Small Roof Connector (M) to Small Roof Inclined Beam (L) and lock them tightly by Screw (FF), Flat Washer (BB) and Nut (GG). Screw Hook (R) on Small Roof Connector (M). After complete this step, then fasten all bolts on Fig 13 & Fig 14.

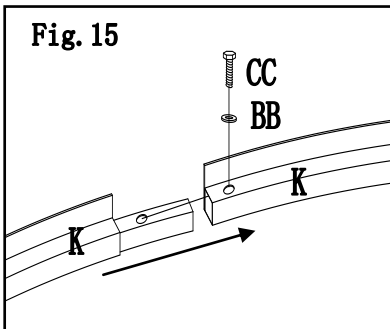
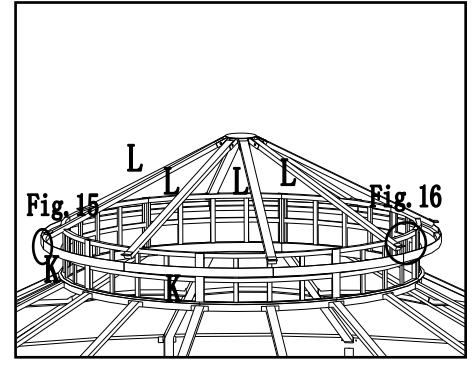


Fig.15: Fix Small Roof Baffe(K) as shown above. Lock them tightly by Bolt (CC) and Flat Washer (BB).

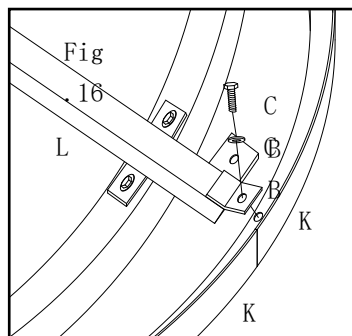


Fig.16: Attach Small Roof Inclined Beam (L) to Small Roof Baffe(K) and lock them tightly by Bolt (CC) and Flat Washer (BB).

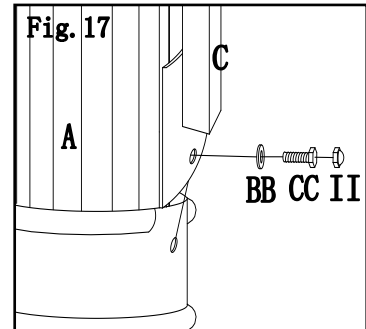


Fig.17: Insert Arc Support Bar (C) to the ecoration ring of Post (A), lock them tightly by use Bolt (CC), Flat Washer (BB). Then use Plastic Cover(II) to cover the Bolt (CC).

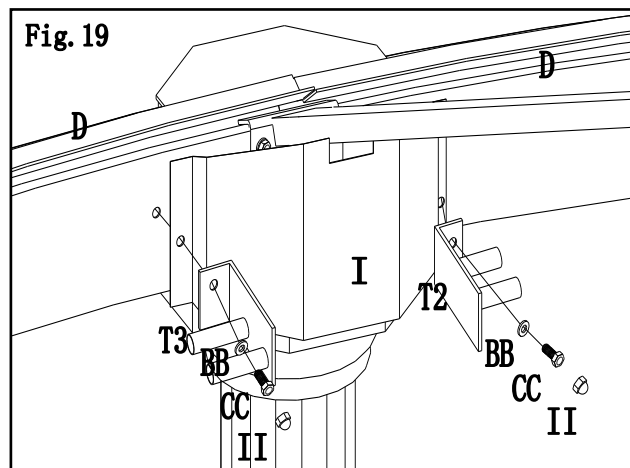
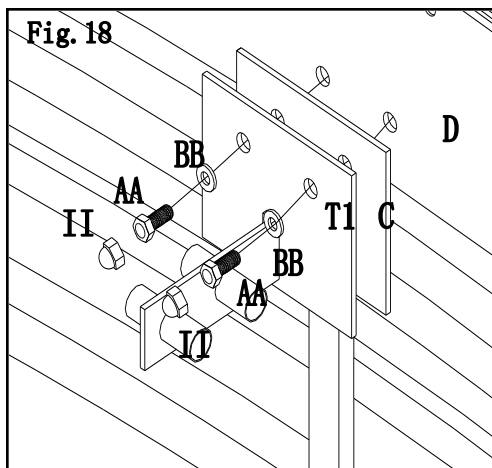



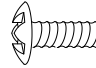

Fig. 18

Fig. 19

Fig.18: Lock Netting and Curtain Rods Connecting 1 (T1) and Arch support (C) to Decoration Gutter (D) by using Bolt (AA), Flat Washer (BB). Then use Plastic Cover (II) to cover the Bolt (AA).

Fig.19: Fix Inner baffle (I), Netting and Curtain Rods Connecting 2&3 (T2&T3) and Decoration Gutter (D) together by using Bolt (CC) and Flat Washer (BB). Then use Plastic Cover (II) to cover the Bolt (CC).

### Hardware Pack 3

BB	Flat Washer M6	40PCS	
DD	Bolt M6X15	40PCS	
HH	Stake $\Phi 8 \times 260$	16PCS	

### Step 3

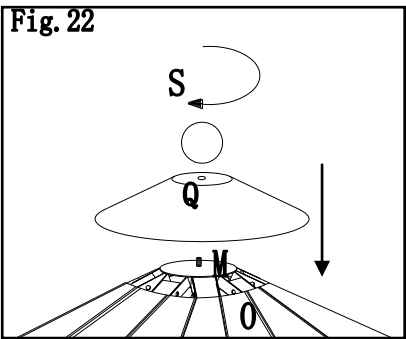
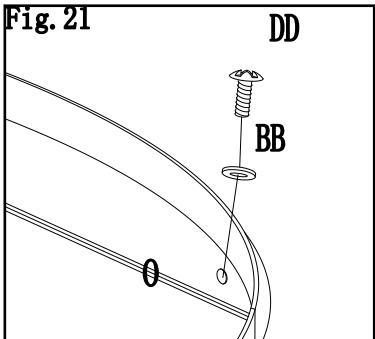
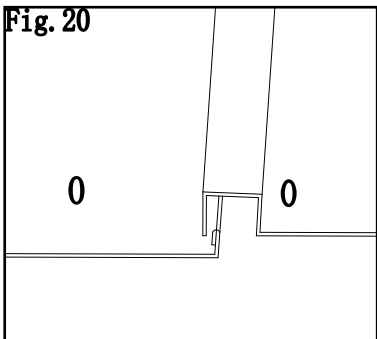
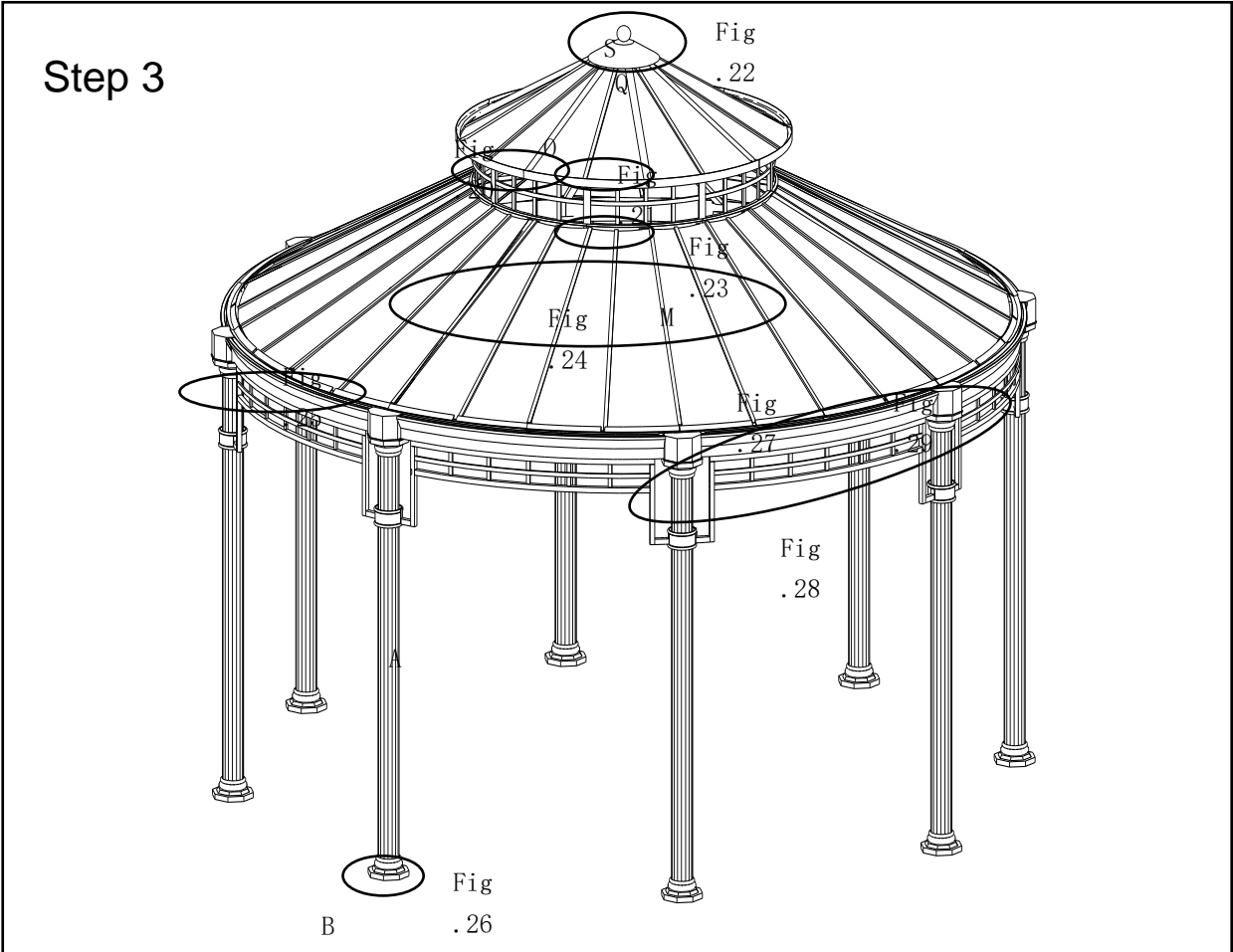




Fig.20: Connect two Small Roof Sheet (O) in order as shown in above and insert the last Small

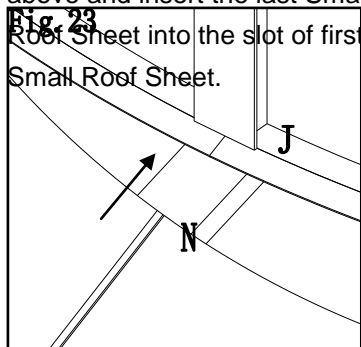


Fig.23: Insert one side of Big Roof Sheet (N) under Big Roof Frame(J).

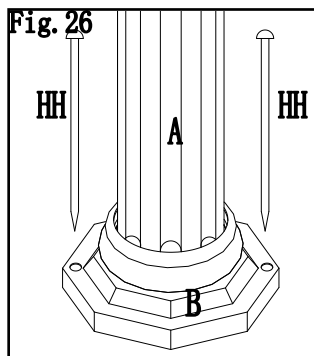


Fig.26: Fix the gazebo on the ground by Stake (HH).

Fig.21: Lock Small Roof Sheet (O) to Small roof crosspiece spot (K) by using

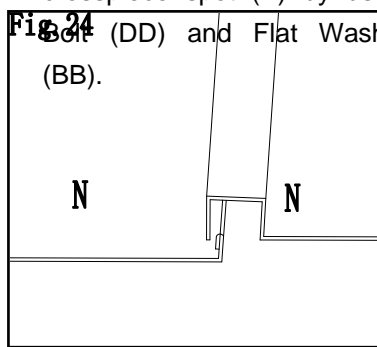


Fig.24: Connect two Big Roof Sheet (N) in order as shown above. And insert the last Big Roof Sheet into the slot of first Big Roof Sheet.

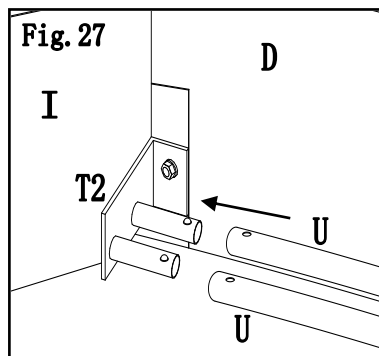


Fig.27: Insert one end of the Netting and Curtain Rods (U) which has snap hook hole into Netting and Curtain Rods connecting 2 (T2), make sure it is insert totally. (The same way to insert Netting and Curtain Rods connecting 3 (T3) with Netting and Curtain Rods (U).)

Fig.22: Attach Small Roof Cover (Q), Finial (S) and Small Roof Connector (M) together as shown above.

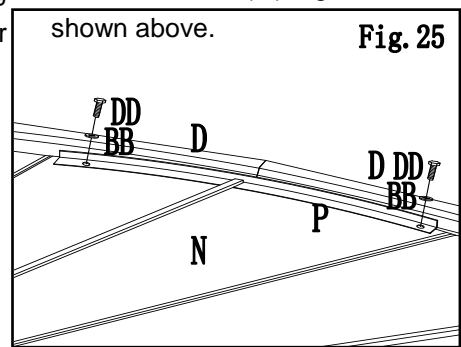


Fig.25: Fix Big Roof Sheet (N) by Cover Presser (P). Then lock Cover Presser (P) with Decoration Gutter (D) tightly by Screw (DD) and Flat Washer (BB).

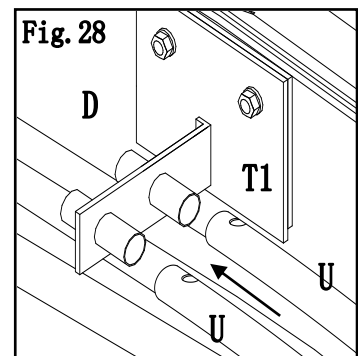
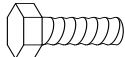

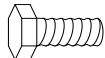
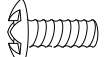
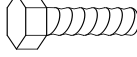
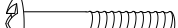


Fig.28: Counter pull the inserted Netting and Curtain Rods (U) to the snap hook fix area, then make it's another side insert into Netting and Curtain Rods connecting 1 (T1).

### Back Up Hardware

AA	Bolt M6X20	4PCS	
BB	Flat Washer M6	12PCS	
CC	Bolt M6X15	8PCS	
DD	Bolt M6X15	5PCS	
EE	Bolt M6X35	2PCS	
FF	Bolt M6X55	1PCS	

**IMPORTANT:**

1. Keep all children and pets away from assembly area. Children and pets should be supervised while gazebo is being assembled.
2. The assembled gazebo should be located at least 6 feet (2 m) from any obstruction such as a fence, garage, house, overhanging branches, laundry lines or electrical wires.
3. This unit is heavy. Do not assemble this item alone. Six to eight people are recommended for safe assembly.
4. Some parts may contain sharp edges. Wear protective gloves if necessary during assembly.
5. When assembling and using this product, basic safety precautions should always be followed to reduce the risk of personal injury and damage to equipment. Please read all instructions before assembly and use.
6. For outdoor use only. Install on level ground. 16 stakes are provided to secure the gazebo in the ground. If you wish to secure the pavilion to a wood deck or concrete surface, use 16 anchors suited for these surfaces (anchors not included).
7. Check all bolts for tightness before and during usage.
8. Please check your state and local regulations prior to purchasing. Some jurisdictions may require permits for installation and use. Some special procedures may be valid in your area.
9. While this gazebo is manufactured to withstand strong force winds through only the supplied ground stakes, securing the gazebo to a deck, concrete patio or a stronger base, in areas subject to frequent severe weather should be considered.

**NOTE:** The gazebo's roof and structure are not guaranteed against extreme weather conditions (storms, high winds, etc.). If the gazebo is not dismantled for the winter, snow must be cleaned off regularly. Any damage caused by snow accumulation is not covered by the warranty.

**Limited Warranty:**

This limited warranty is extended to the original purchaser and applies to defects in materials and workmanship of your item provided the item is maintained with care and used only for personal, residential purposes.

The item is warranted to be free from defects in material or workmanship for a period of **one (1) year**. We don't reimburse for transportation or delivery costs, or compensate the individual or any outside party for assembling or disassembling the product.

**Exclusions:**

Items used for commercial, contract, or other non-residential purposes, or items damaged due to acts of nature, vandalism, misuse, or improper assembly are not covered. Corrosion or rusting of hardware is not covered. Proof of purchase (dated register receipt) is required for warranty claims. Warranty is to the original purchaser and is non-transferable. Any

replacement of warranted items will be in the original style and color, or a similar style and color if the original is unavailable or has been discontinued. As some states do not allow exclusions or limitations on an implied warranty, the above exclusions and limitations may not apply. This warranty gives you specific rights, and you may also have other rights, which vary from state to state.

**Maintenance:**

Our iron/steel components for garden accessories and patio items are coated with rust inhibiting paint that protects it from rusting. However, due to the nature of iron, surface oxidation (rusting) will occur once these protective coatings are scratched. This is a natural process and is not a defect! To minimize this condition, we recommend care when assembling & handling the product to prevent scratching the paint. Should any scratching or damage occur, we recommend immediate touch-up with rust inhibiting paint. Surface rust can also be easily removed with a very light application of common cooking oil. If surface oxidation (rusting) occurs and if no measure is taken to prevent this, the oxidation may start dripping on to deck or patio and cause damaging stains, which may be difficult to remove. This can be prevented if measure is taken to keep the product from oxidizing.

**Important:** For technical assistance on assembly or replacement parts. Please call Sunjoy Industries at 1(866) 578-6569 from 8:30 AM to 5:30 PM EST Monday to Friday or fax the replacement part form which is in the box to (740)-283-3549 or Email [customer.care@sunjoydirect.com](mailto:customer.care@sunjoydirect.com) for assistance.

# GAZEBO NETTING AND CURTAIN ASSEMBLY INSTRUCTIONS

Netting / Curtain is available individually

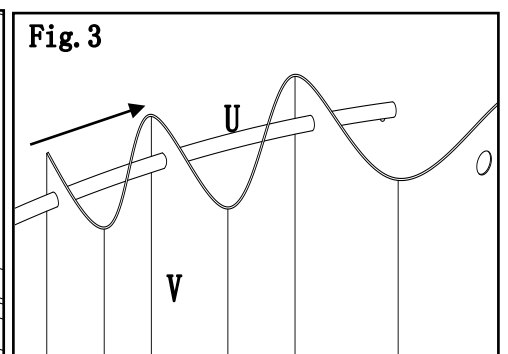
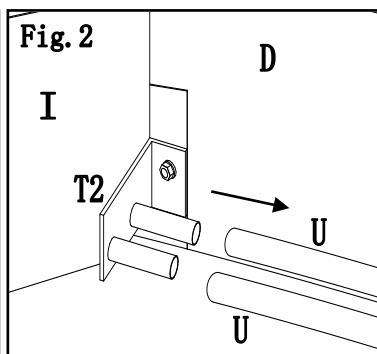
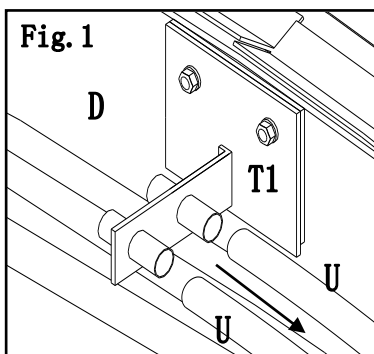


Fig.1: Pull the Netting and Curtain Rods (U) out of the Netting and Curtain Rods connecting 1 (T1). (Press the snap hook down firstly before pull the tube out).

Fig.2: Disassemble Netting and Curtain Rods (U) from Netting and Curtain Rods connecting 2 (T2).

Fig.3: Assemble Netting or Curtain to Netting and Curtain Rods (U). Note: tube insert into the buckle of the Netting / Curtain, the flod way as Fig.3 shows.

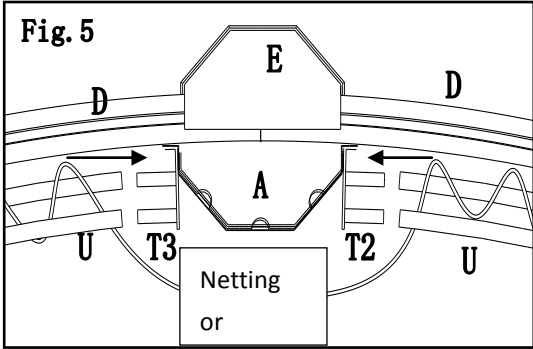
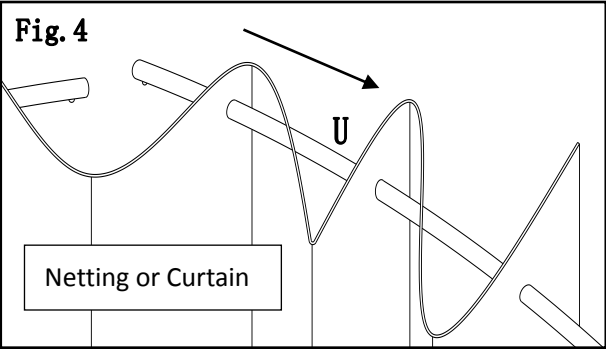


Fig.4: Assemble remain Netting / Curtain to another Netting and Curtain Rods (U). The same flod way as Fig. 4 shows.

Fig.5: Lift up the assembled Netitng / Curtain and Netting and Curtain Rods (U). See as the picture shows to insert Netting and Curtain Rods (U) into Netting and Curtain Rods connecting 2&3 (T2&t3). Note: make sure it is insert totally.

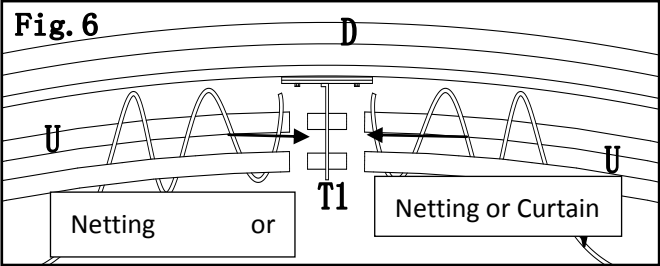


Fig.6: Counter pull the inserted Netting and Curtain Rods (U) to the snap hook fix area, then make it's another side insert into Netting and Curtain Rods connecting 1 (T1) .

