

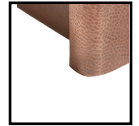
Monet Farmhouse Apron Copper Sink

Model # [K1A-1209HA](#)

25" x 22" x 9"

Features

- + Undermount Installation
- + Handmade 16 Gauge
- + Hammered Antique Copper Finish
- + Front Apron Wrap Approx. 2.5"
- + Lifetime Warranty



[K1A-1209HA](#)



[K1A-1209HA](#)

Product Pairing Suggestions

Antique Kitchen Strainer Drain

Model # [TB35-01](#)

Kitchen Sink ISE Disposal Flange

Model # [TD35-01](#)

Fuller Copper Sink Bottom Grid

Model # [SG007-23](#)

Deluxe Copper Armor Kit

Model # [SARMOR-201](#)

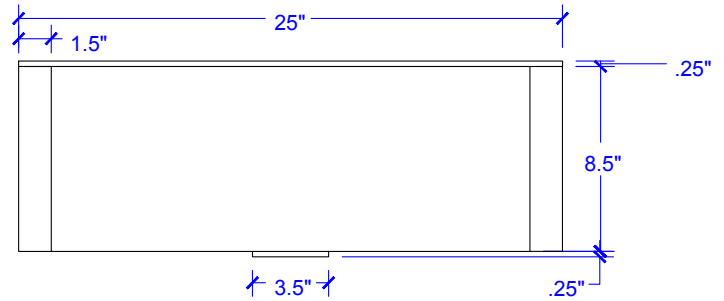
Why Sinkology?

We design our unique copper sinks and tubs with the highest-grade, solid, pure copper with durability to last a lifetime. With Sinkology, a simple thing like a copper sink or tub can transform your kitchen or bathroom without busting your budget.

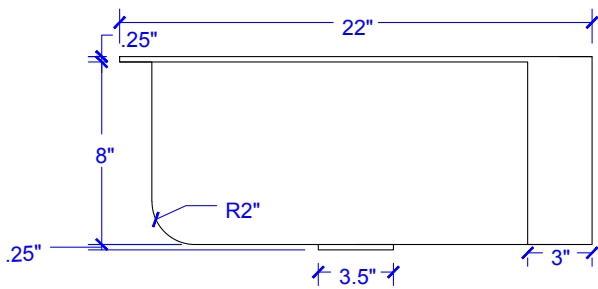
Monet Farmhouse Apron Copper Sink

Technical Specifications

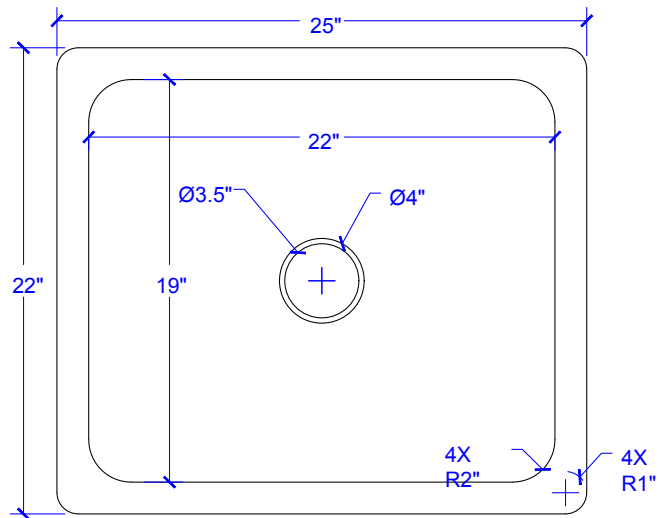
- + Outer - 25" x 22" x 9"
- + Inner - 22" x 19" x 9"
- + Drain - Standard Kitchen Drain
- + Thickness - 16 Gauge



FRONT VIEW



RIGHT SIDE VIEW



TOP VIEW

Lifetime Warranty

All Sinkology products come with a lifetime warranty. You won't need it, but it's there.



CustomerService@Sinkology.com | 866.915.3003