



Installation Instructions: DG6/DG7/DG8

CHEVY SILVERADO/GMC SIERRA

****NEW BODY STYLE ONLY****

5'9", 6'6", 6'9" BED LENGTHS

1500: (2019-CURRENT) SHORT & STANDARD BEDS

2500 & 3500: (2020-CURRENT) STANDARD BEDS ONLY

TOOLS REQUIRED

- 3/8" socket
- 7/16" open wrench
- 1/8" Allen wrench
- 7/16" deep socket
- 7/32" Allen wrench
- 1/2" drill bit
- Wire cutters
- Cold beverages

Watch short installation videos at www.decked.com/video | Register your system at www.decked.com/warranty

FOLLOW US:



@DECKEDUSA | #DECKEDUSA

VERSION 6

DECKED.COM | 208.806.0251

RC431

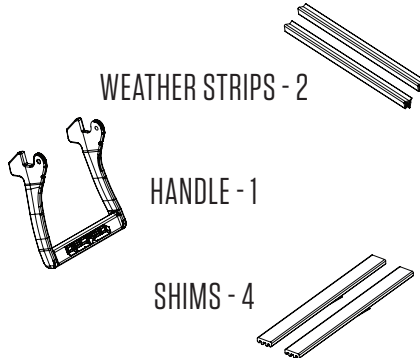
CONTENTS

DECKED carton

- LEFT/DRIVER DECK HALF - 1
- RIGHT/PASSENGER DECK HALF - 1
- CENTER VERT - 1
- DRAWER - 2
- CABSIDE AMMO CAN - 2
- TAILGATE SIDE AMMO CAN - 2
- AMMO CAN LID - 4
- AMMO CAN WINDOW - 2
- C-CHANNEL - 2
- RULER - 1
- HARDWARE BOX - 1
- TORSION BRACE - 1
- BOTTLE OPENER - 1

Hardware box - unbagged components

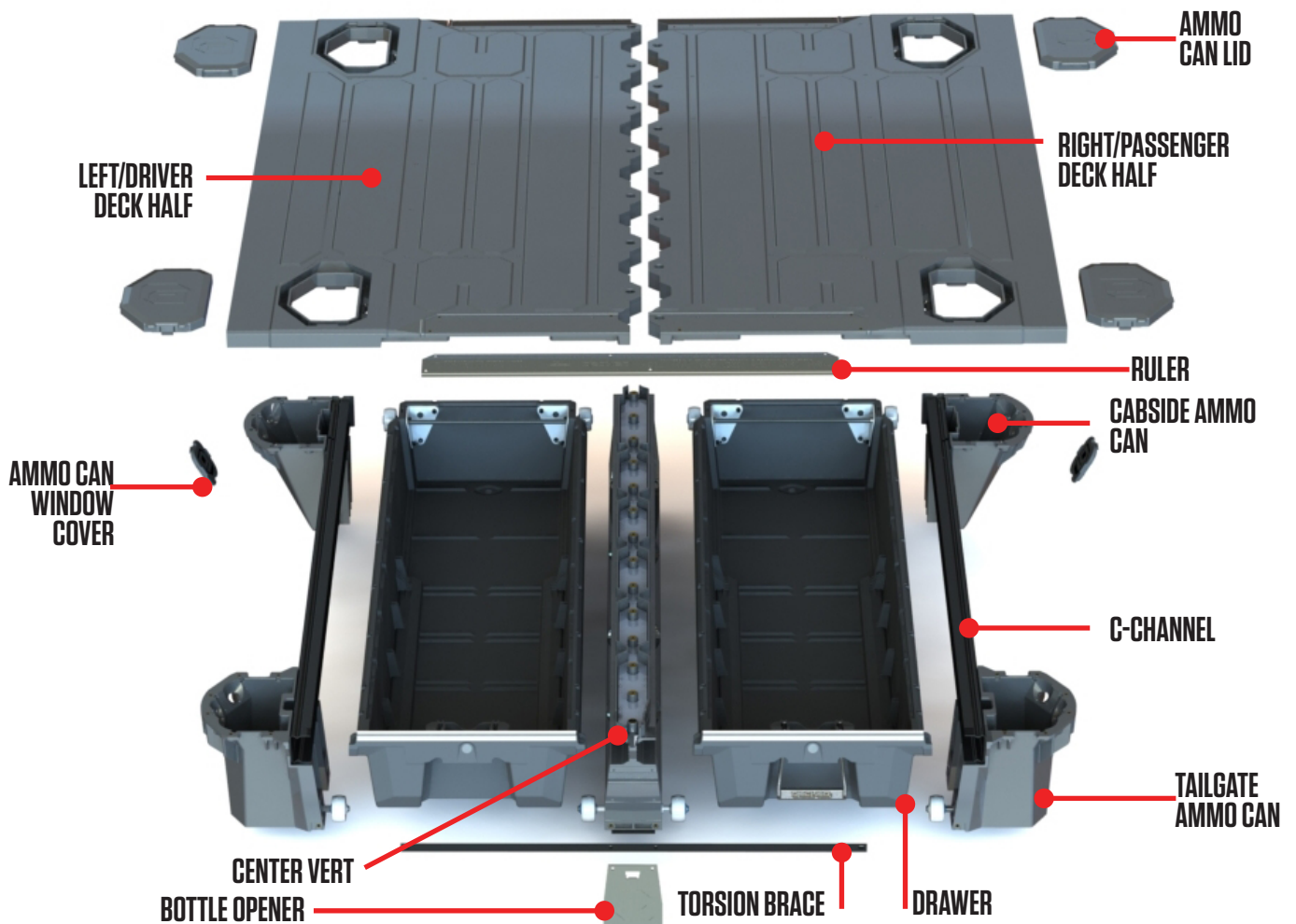
(inside DECKED carton):



HARDWARE box - bagged components

- PREP TBO - 1
- C-CHANNEL - 1
- BOLT 1 FS (B1) - 1
- CS AMMO CANS - 1
- J5 - 2
- J7 - 2
- DRAWER 1 - 1
- DRAWER 3 - 1
- HANDLE - 1
- WHEELS - 1
- PREP-EXTRA - 1
- WASHERS - 1
- PREP DG6/DG7/DG8 - 1

ASSEMBLY OVERVIEW



▼ HEY! TORQUE BOY: READ BEFORE YOU INSTALL DECKED ▼

1. **DON'T** go rogue on us, please read the instructions.
2. **DON'T** over tighten bolts, get em' hand-tight.
3. **DON'T** use power tools.
4. If you don't follow directions and do use power tools:
 - 1). Set clutch at a very low setting.
 - 2). If you blow it: Two extra threaded inserts are included in BAG **PREP-EXTRA**. That's all you get, unless you call us and ask for more. The inserts will replace any stripped inserts in the tailgate ammo cans or front face of the center vert at the bottle opener, but NOT THE TOP OF THE CENTER VERT, so hand tighten until snug only! You can also screw the inserts back in if dislocated. There is a straight screwdriver slot on the underside of the threaded insert.
5. Start all bolts with fingers to avoid cross-threading.
6. **DON'T** over tighten J-hooks during installation. Just get 'em good and snug; enough to keep the system from moving in the bed.
7. Nice job if you're still reading.
8. **TAILGATE** ammo cans have wide bottoms; **CABSIDE** ammo cans have narrow bottoms.
9. You will need a buddy to help with exactly two steps.

*Prevent embarrassing, expletive-filled language,
watch our detailed installation video or give us a call. We're happy to help!*

208.806.0251 | DECKED.COM/INSTALLVIDEO

AMMO CAN DRAIN HOLES

(TO DRILL OR NOT TO DRILL.)

• Do you use a tonneau or shell over your DECKED system?

There is no need to drill holes, unless you leave your tonneau open in a deluge.

• Does your DECKED system live outside?

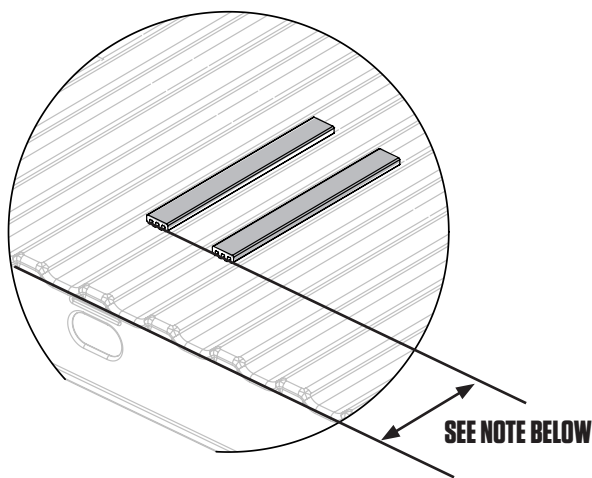
The ammo cans will get water in them. You'll need to drill holes in the ammo cans.

There are two dimples in the bottom of each ammo can. Drill a 1/2" hole at each dimple. A smaller hole will get clogged.



PREP BED: SHIMS

- There are **4 SHIMS** provided; 2 narrow (DETAIL A) and 2 wide (DETAIL B).
- Using the information in the respective circular detail views:
 - a) Clean the surfaces thoroughly where the shims will be located (isopropyl alcohol is recommended).
 - b) Remove the layer of tape on the bottom of the shim to expose the adhesive surface.
 - c) Place the shim and apply with pressure.
- Repeat DETAIL B on passenger side.
- **DETAIL A will depend on your truck bed length (DG6, DG7 or DG8).**



DETAIL A

Depending on your truck, place narrow shims according to the following bed lengths:

DG6 - 5'9" BED:

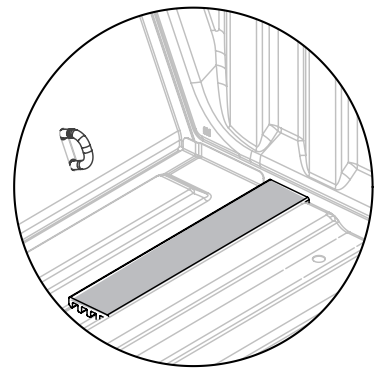
Align narrow shims on each side of center floor bead as shown. Place shims 8" from rear of bed.

DG7 - 6'6" BED:

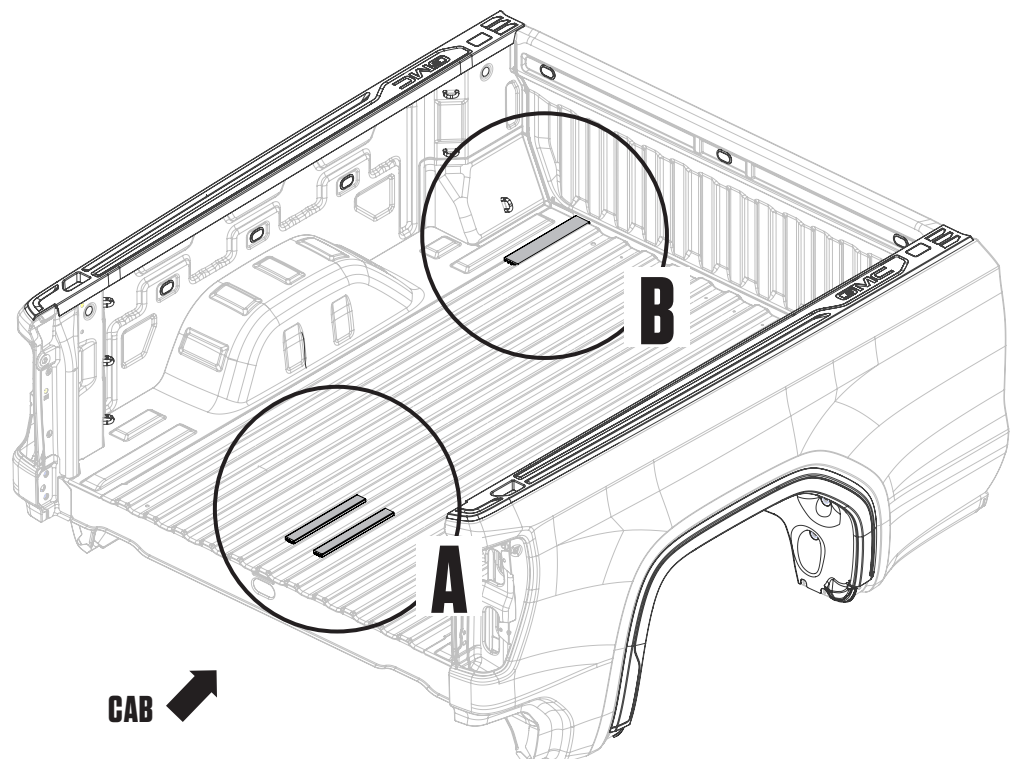
Align narrow shims on each side of center floor bead as shown. Place shims 7" from rear of bed.

DG8 - 6'9" BED:

Align narrow shims on each side of center floor bead as shown. Place shims 9 1/2" from rear of bed.



Align wide shim with cabside panel of bed. Center shim between longitudinal floor beads.
Repeat on passenger side.





**THE NEXT STEP (BRACKET INSTALL) IS DEPENDENT
ON TRUCK BED LENGTH:**

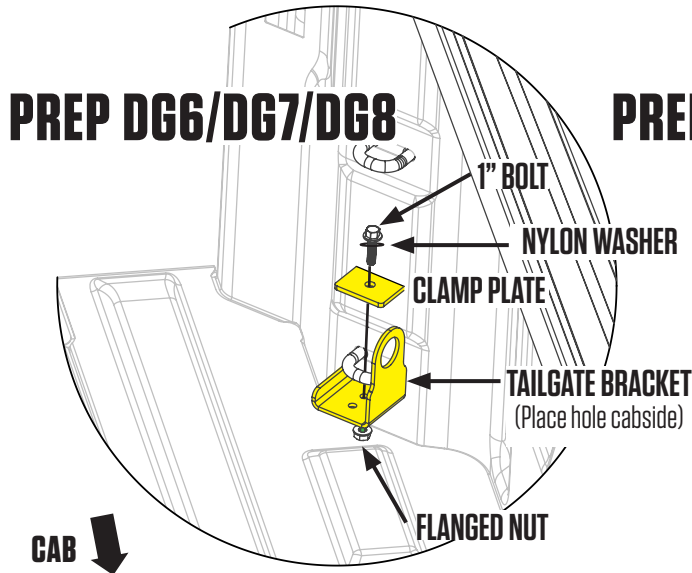
DG6 - 5'9" BED LENGTH: GO TO PAGE 6

DG7 - 6'6" BED LENGTH: GO TO PAGE 6

DG8 - 6'9" BED LENGTH: GO TO PAGE 7

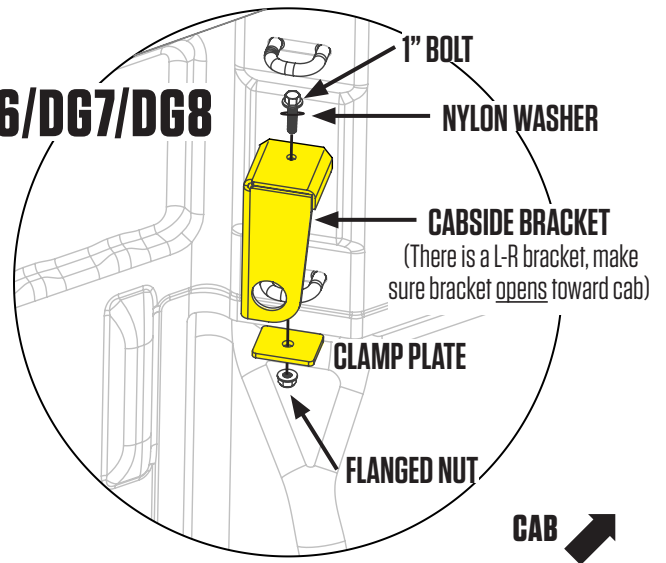
DG6 & DG7 PREP BED: BRACKET INSTALL

STOP: Double check that you have a Silverado/Sierra with a 5'9" bed [DG6] or a 6'6" bed [DG7]. If you have the 2500/3500 [DG8] with the 6'9" bed, go to the next page 7.



TAILGATE BRACKET

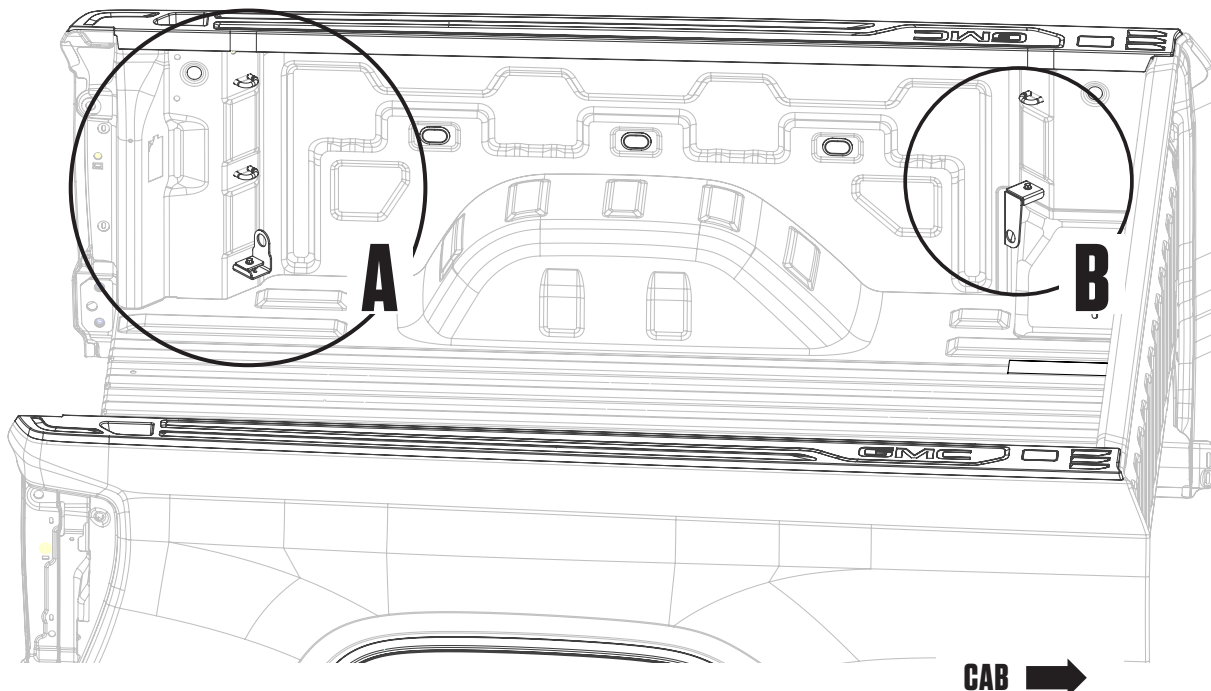
Place tailgate bracket below bottom cargo tie down ring as shown. Place clamp plate above cargo tie down. Attach with bolt, nylon washer and nut as shown; **BAG: PREP DG6/DG7/DG8.** Tighten securely. Repeat on passenger side.



CABSIDE BRACKET

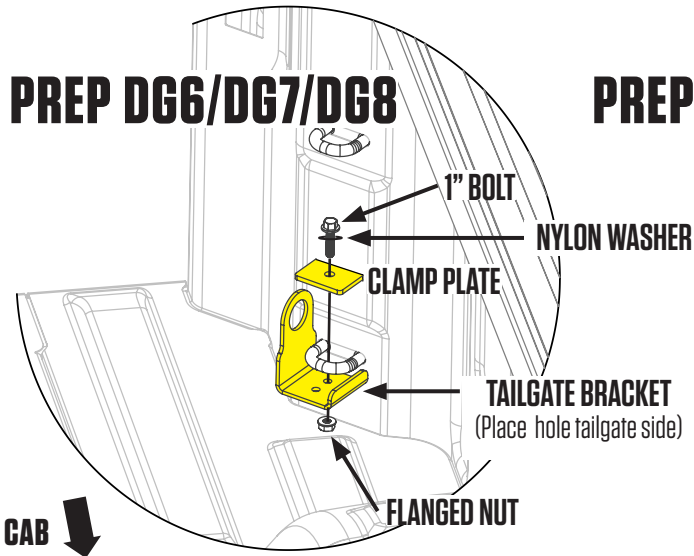
Place cabside bracket above bottom cargo tie down ring as shown. Place clamp plate below cargo tie down. Attach with bolt, nylon washer and nut as shown; **BAG: PREP DG6/DG7/DG8.** Tighten securely. Repeat on passenger side.

RECOMMENDED TORQUE: Bolts in labeled bags PREP DG6/DG7/DG8 - 53 in.-lb.



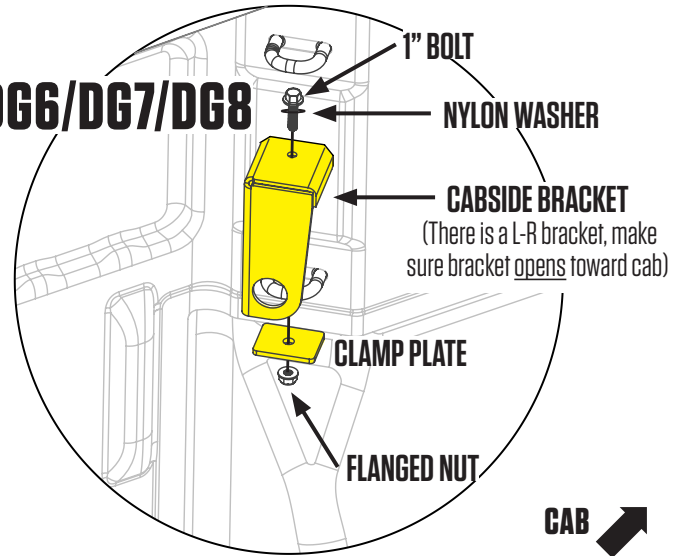
DG8 PREP BED: BRACKET INSTALL

STOP: Double check that you have a 2500/3500 Silverado/Sierra with a 6'9" bed [DG8]. If you have the 5'9" bed [DG6] or a 6'6" bed [DG7], go back to the previous page 6.



TAILGATE BRACKET

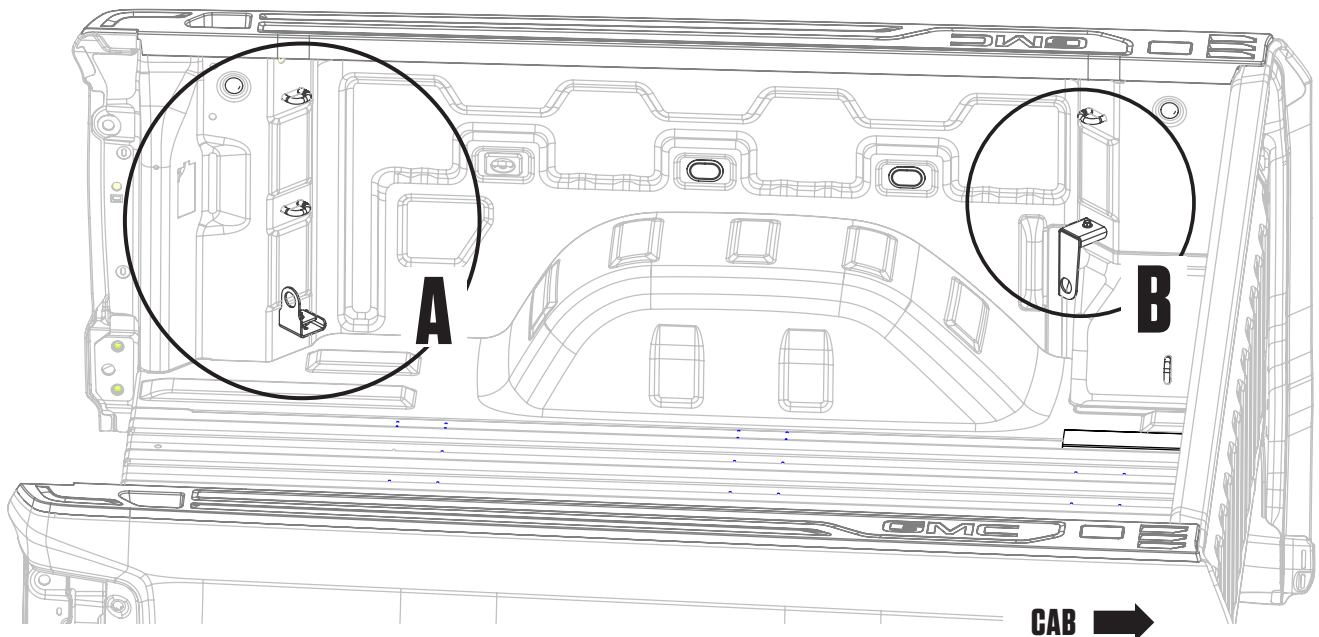
Place tailgate bracket below bottom cargo tie down ring as shown. Place clamp plate above cargo tie down. Attach with bolt, nylon washer and nut as shown; **BAG: PREP DG6/DG7/DG8.** Tighten securely. **Repeat on passenger side.**



CABSIDE BRACKET

Place cabside bracket above bottom cargo tie down ring as shown. Place clamp plate below cargo tie down. Attach with bolt, nylon washer and nut as shown; **BAG: PREP DG6/DG7/DG8.** Tighten securely. **Repeat on passenger side.**

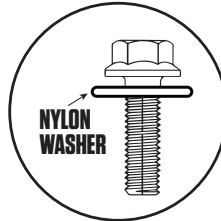
RECOMMENDED TORQUE: Bolts in labeled bags PREP DG6/DG7/DG8 - 53 in-lb.



ASSEMBLY: DRIVER'S SIDE DECK

- There are three pre-installed gaskets – one on the center vert, one on each underside of the decks where they rest on the center vert. Do yours look weird? (They should be flat.) See them here: [DECKED.COM/GASKETS](https://www.decked.com/gaskets)
- Place C-channel on the **inside** ledges of a cabside ammo can and a tailgate ammo can.
- The end of the C-channel with the endplate must rest on the cabside ammo can.
- Verify that the tailgate ammo can's axle is closest to the tailgate; if not, grab the other tailgate ammo can.

- Install nylon washers onto all bolts in **BAG C-CHANNEL, WASHERS**.
- Loosely bolt C-channel to the two ammo cans. Make sure the bolt head is in the C-channel, not inside the ammo can; **BAG C-CHANNEL**. Don't tighten yet.



- Line up the driver's side deck (sticker or mark on end of deck panel indicates LEFT/DRIVER) on top of the C-channel/ammo can assembly and the center vert bosses.

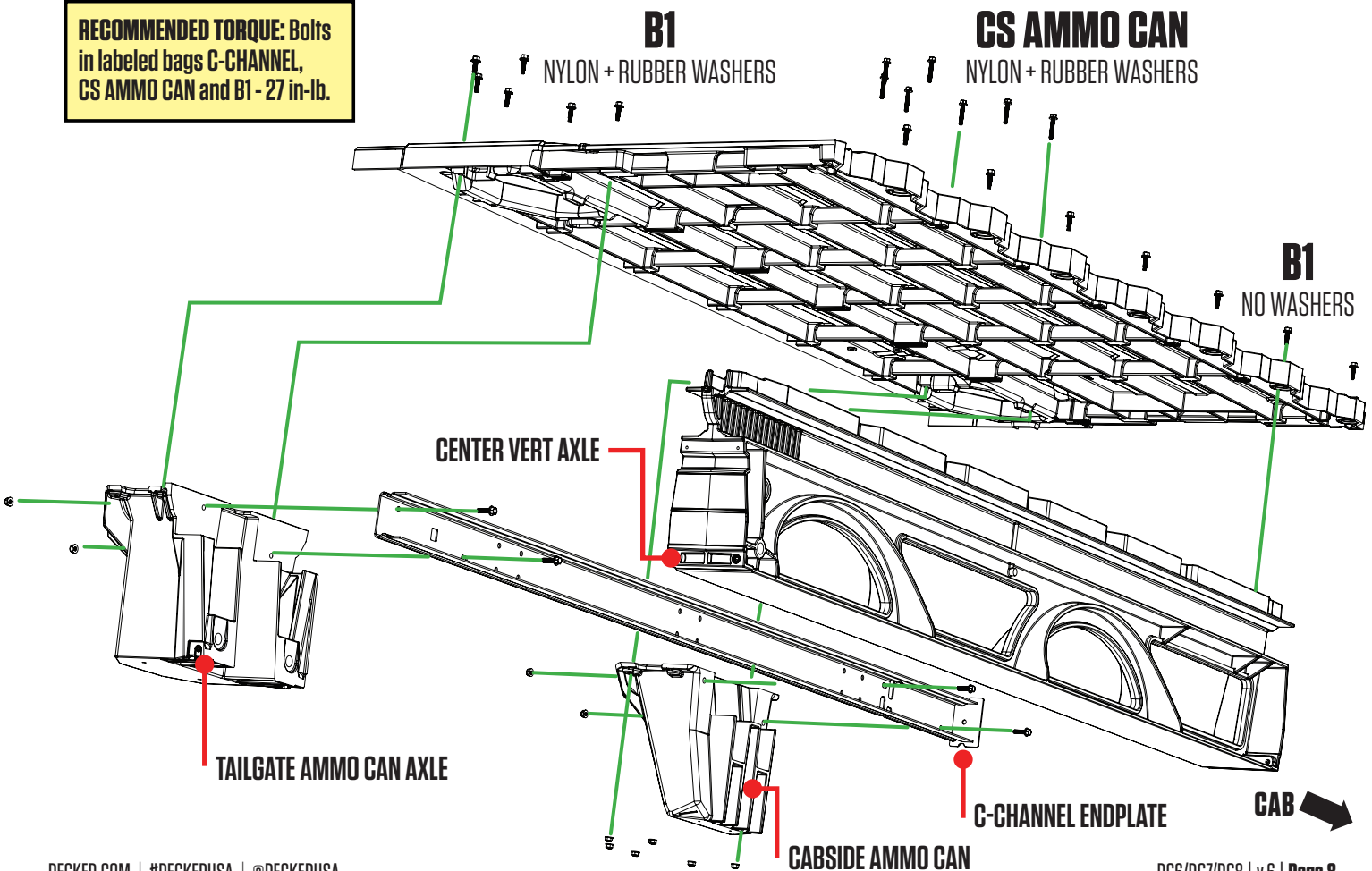
Hey Sparky: Tailgate end of the center vert has an axle installed; the center vert axle and ammo can axles must be on the tailgate end (not cabside end) of the assembly.

- Use **WASHERS** bag to install nylon & rubber washers on all **CS AMMO CAN** bolts. Install the same washers on 12 **B1** bolts..
- Use the above bolts to bolt the deck to the ammo cans; **BAG B1** for the tailgate ammo can, **BAG CS AMMO CAN** for the cabside ammo can.



- **Now tighten the loose bolts connecting the ammo cans to the C-channel.**
- Bolt the deck to the center vert; **BAG B1** (no washers). **If you must use power tools, use with caution! Set drill clutch to LIGHT.**

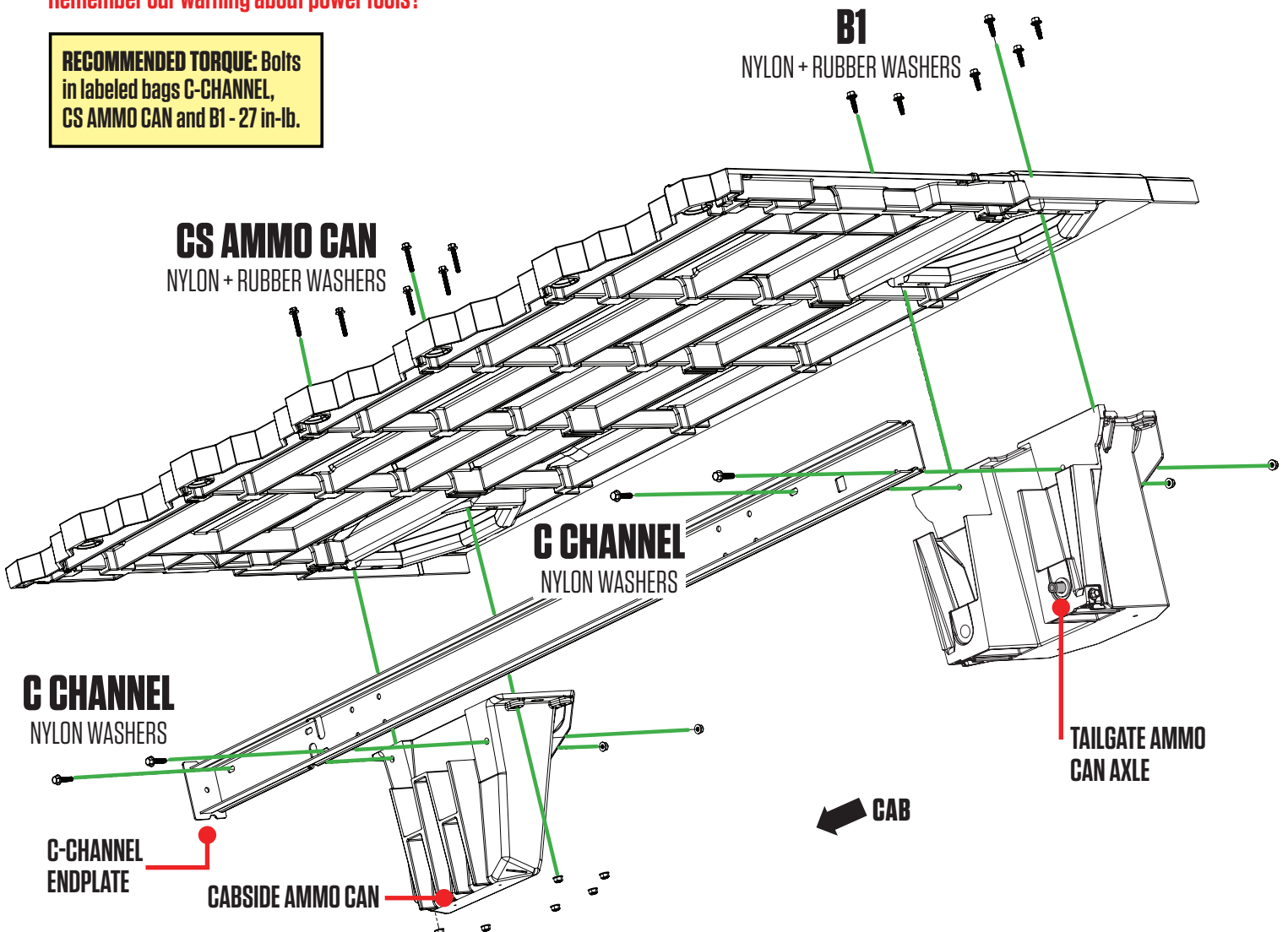
RECOMMENDED TORQUE: Bolts in labeled bags **C-CHANNEL, CS AMMO CAN** and **B1** - 27 in-lb.



ASSEMBLY: PASSENGER'S SIDE DECK

- Using the assembly just built as a support, assemble the passenger side.
- Place C-channel on the **inside** ledges of a cabside ammo can and a tailgate ammo can.
- The C-channel endplate must rest on the cabside ammo can.
- You should have the correct tailgate ammo can for this step. The axle will be on the tailgate side of the system.
If not, swap the tailgate ammo cans now.
- Loosely bolt C-channel to the two ammo cans. Make sure the bolt head is in the C-channel, not inside the ammo can; **BAG C-CHANNEL** (with nylon washers). Deja vu, **don't** tighten yet.
- Line up the passenger's side deck (sticker or mark on end of deck panel indicates RIGHT/PASSENGER) on top of the C-channel/ammo can assembly.
- Bolt the deck to the ammo cans; **BAG B1** (with nylon and rubber washers) for the tailgate ammo can, **BAG CS AMMO CAN** (with nylon and rubber washers) for the cabside ammo can.
- **DO NOT bolt passenger deck to center vert. Do not pass GO! Do not collect \$200...**
- **Now tighten the loose bolts connecting the ammo cans to the C-channel.**
- Grab your buddy to help you lift the driver side assembly into the driver side of the truck bed. Lift the passenger side assembly into the passenger side of the truck bed and seat the passenger side deck on the upstanding, cylindrical vert bosses.
- Bolt the passenger side deck half to the center vert; **BAG B1** (no washers). Make sure all bolts connecting the deck to the center vert are snug.
Remember our warning about power tools?

RECOMMENDED TORQUE: Bolts in labeled bags C-CHANNEL, CS AMMO CAN and B1 - 27 in-lb.



DRAWERS: BRACKETS + WHEELS

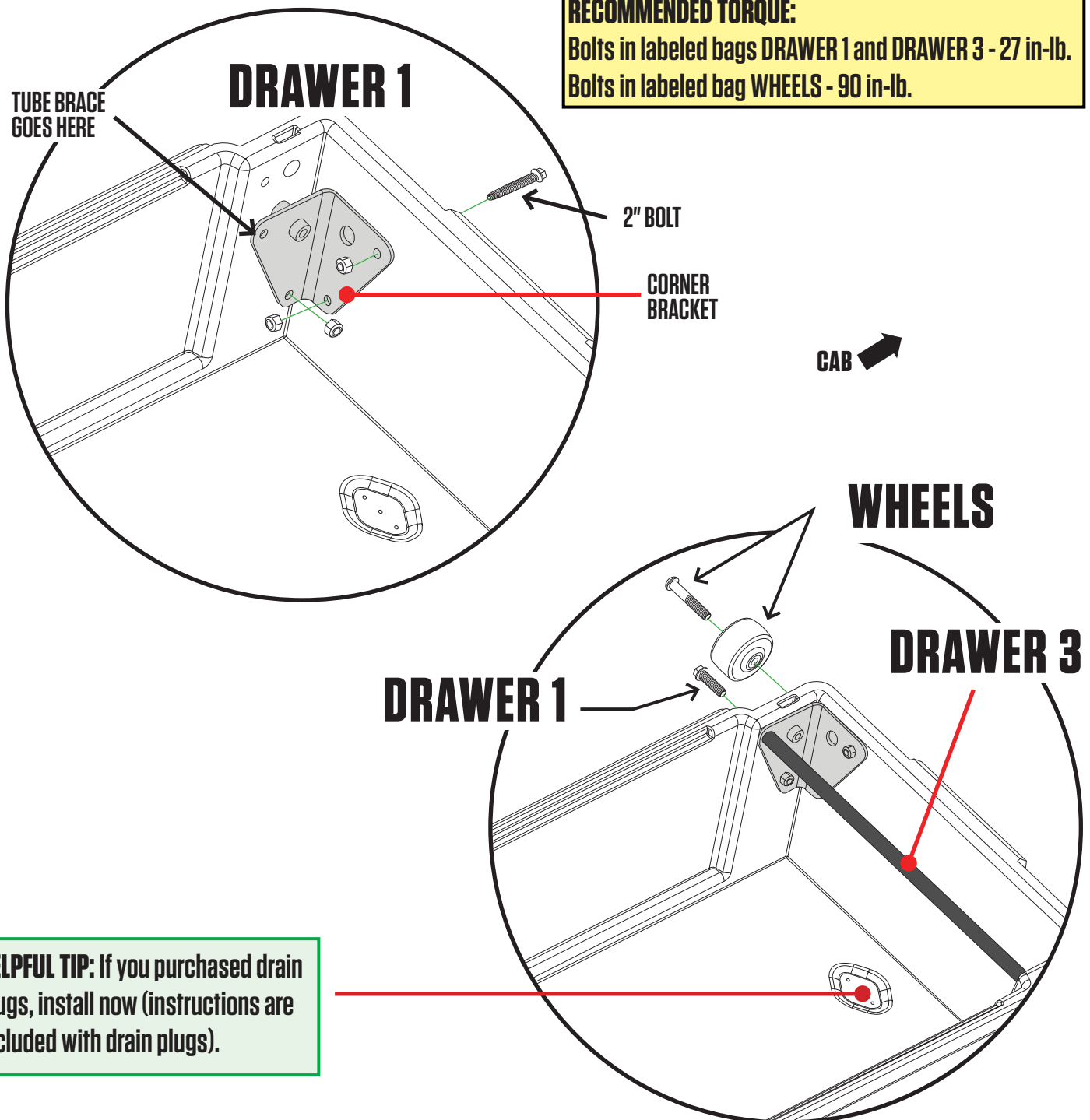
(IT'S ALL BALL BEARINGS THESE DAYS)

- Each drawer has a left and a right bracket. Bolt the brackets into place via bottom two holes in bracket with 3/4" length bolts. Use the 2" length bolt for the upper cabside wall hole in bracket; **BAG DRAWER 1**.
- Install a tube brace in each drawer with two 3/4" length bolts; **BAG DRAWER 1, BAG DRAWER 3**.
- Attach wheels onto the drawer brackets with a 7/32" Allen wrench; **BAG WHEELS**.

RECOMMENDED TORQUE:

Bolts in labeled bags **DRAWER 1** and **DRAWER 3** - 27 in-lb.

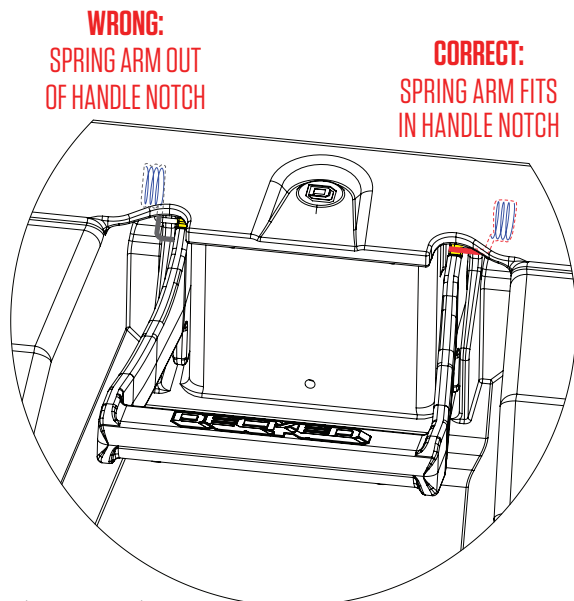
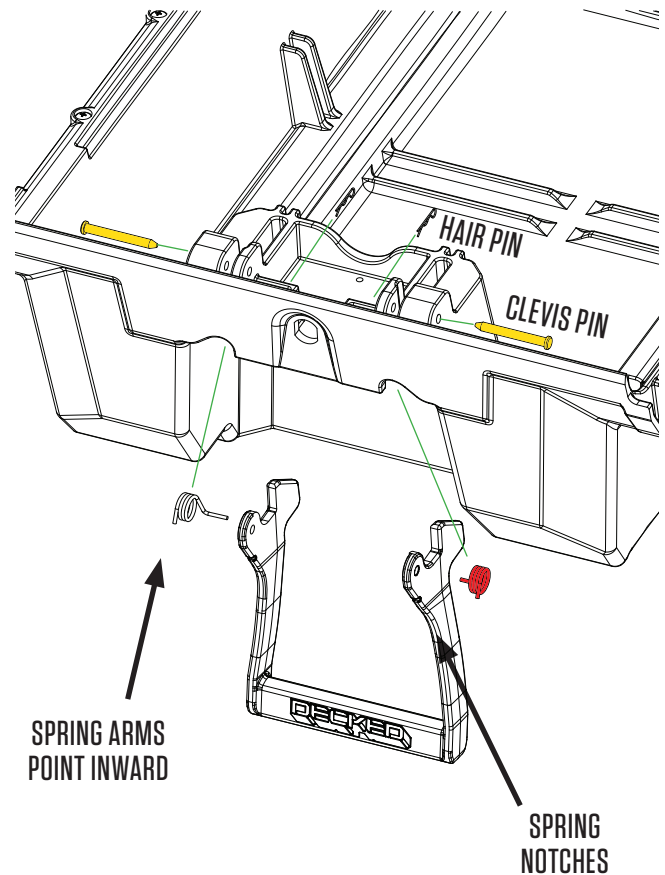
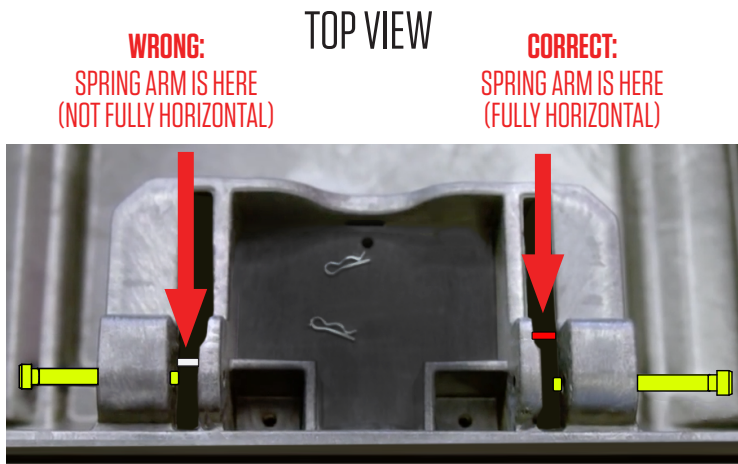
Bolts in labeled bag **WHEELS** - 90 in-lb.



INSTALL: DRAWER HANDLES

- OK, Sparky, one drawer handle assembly needs to be installed by you. We did the other one.
- Save yourself the headache, watch this short installation video: [DECKED.com/handle](https://www.decked.com/handle).
- From the **underside** of drawer, place the springs into the cavities on either side of the handle slots, red spring=right spring; **BAG HANDLE**. **NOTE: Each spring arm should point inward, not outward.**
- Install a clevis pin through each outside drawer hole and through spring; **BAG HANDLE**.
- With DECKED logo facing outward, insert the handle ends behind the spring arms. Rotate the arms of the handle toward the clevis pins, pulling the spring arm downward. When the handle hole is lined up with the clevis pin, push the pin through the handle hole and through the inside drawer hole. Repeat on the other side of the handle.
- Install a hair pin through the clevis pin; **BAG HANDLE**.

HANDLE OVERVIEW



HELPFUL TIP: MAKE SURE SPRINGS HAVE THE LONG ARM HORIZONTAL AND SHORT LEG VERTICAL BEFORE INSERTING HANDLE



INSTALL: DRAWERS

(NOW WE'RE GETTING SOMEWHERE)

- Prevent acid reflux, watch this short installation video: [DECKED.com/tailgatewheels](https://www.decked.com/tailgatewheels).
- Install the drawer by sliding wheels into their two channels (C-channel and center vert), and slide drawer all the way forward until closed.
- Install the remaining tailgate side wheels onto their axles; **BAG WHEELS**.

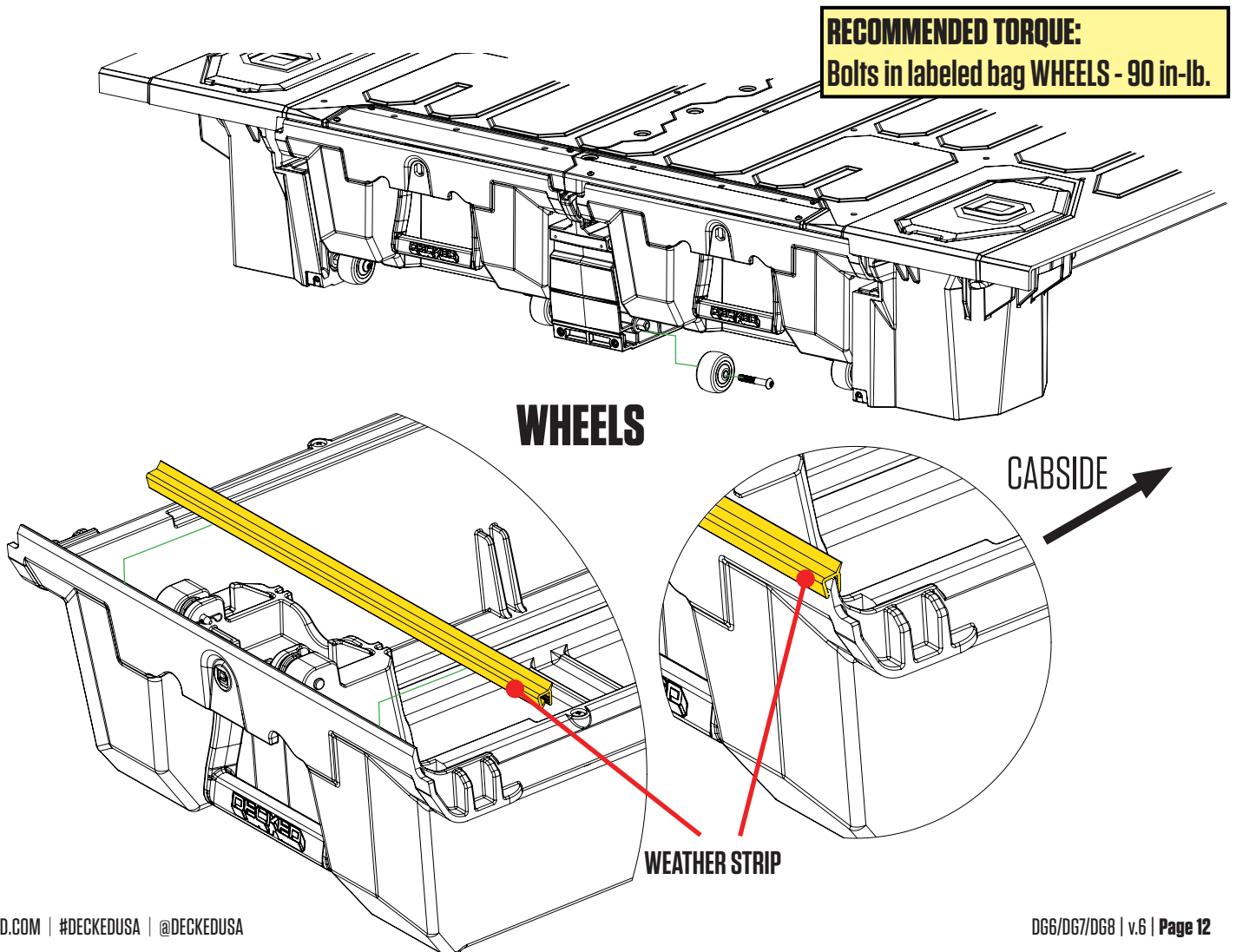
NOTE: Placing a spacer under the drawer to raise it into position makes this easier (ammo can lids work well, or a small piece of 2x2 or 2x4).

- Install the weather strips on the tailgate side drawer edge: With the weatherstrip wiper pointing cabside, line up one end with the side of the drawer and place on the top drawer edge, firmly pressing down on the weatherstrip as you move along the drawer edge.

NOTE: Facing the weather stripping the wrong way will funnel water into drawer: BAD!

- When the weatherstrip is fully seated along the top edge, trim off any material that extends beyond the drawer edge with wire cutters. Watch out for the stainless wire coil inside; it's sharp!

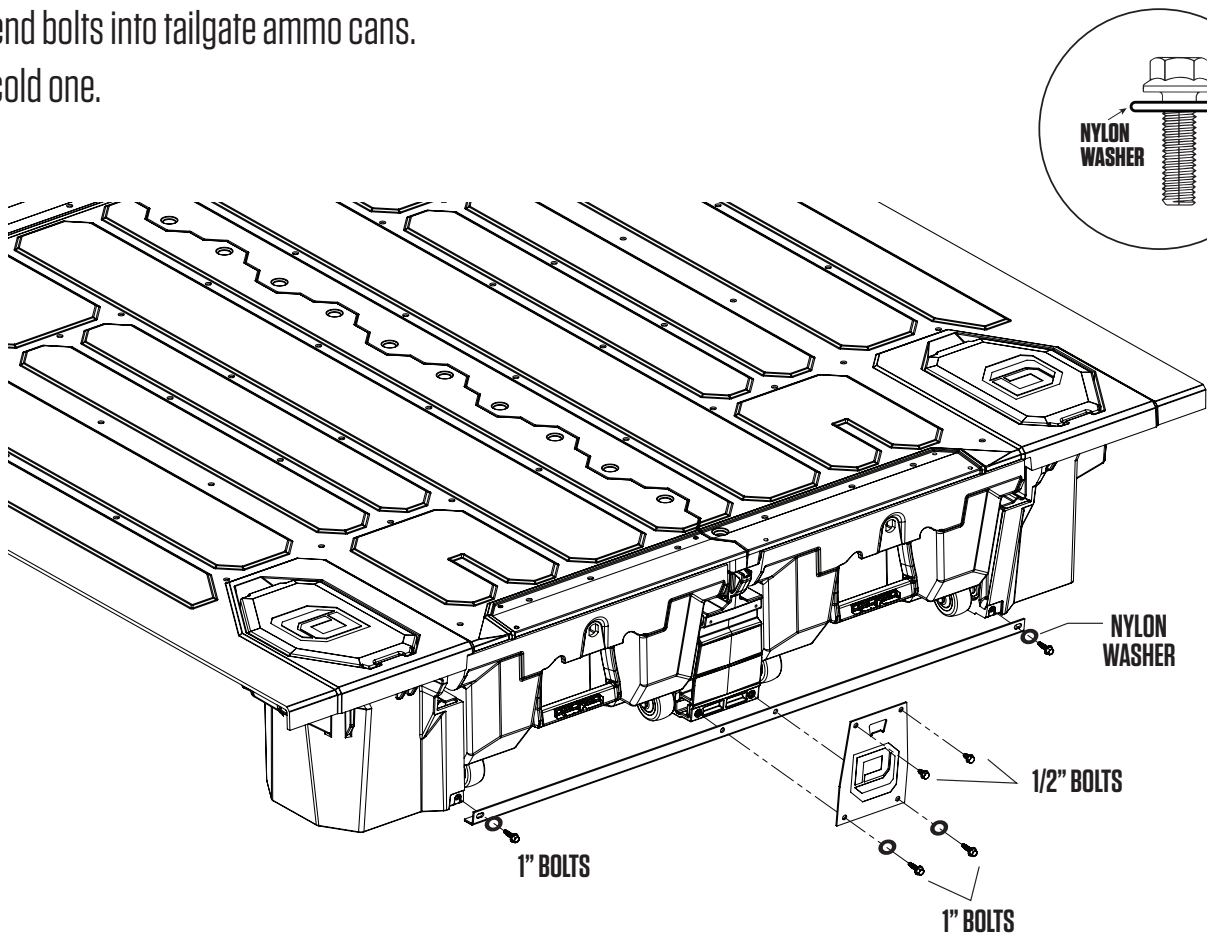
**RECOMMENDED TORQUE:
Bolts in labeled bag WHEELS - 90 in-lb.**



INSTALL: THE FUN STUFF

(WE'RE STILL HAVING FUN RIGHT)

- Use the **WASHERS** bag and **PREP TBO** bag, that is either attached to the torsion brace or in the hardware box, for the following steps.
- Slide torsion brace under center vert and tailgate ammo cans. Place bottle opener on the outside of the torsion brace.
- Loosely install (start with your fingers to avoid cross-threading):
 - Two 1/2" bolts through upper holes in the bottle opener into the center vert – no washers needed; leave loose.
 - Two 1" bolts with nylon washers through the end holes in torsion brace into tailgate ammo cans; leave loose.
 - Two 1" bolts with nylon washers through the bottom bottle opener holes and torsion brace into center vert; leave loose.
- Align bottle opener to edges of center vert and tighten four bottle opener bolts.
- Tighten end bolts into tailgate ammo cans.
- Crack a cold one.



HELPFUL TIP: Bottle opener goes on the **outside** of the torsion brace.

RECOMMENDED TORQUE:
1" Bolts - 27 in-lb. | 1/2" Bolts - 18 in-lb.



THE NEXT STEPS ARE DEPENDENT ON TRUCK BED LENGTH:

DG6 - 5'9" BED LENGTH: GO TO PAGE 15

DG7 - 6'6" BED LENGTH: GO TO PAGE 15

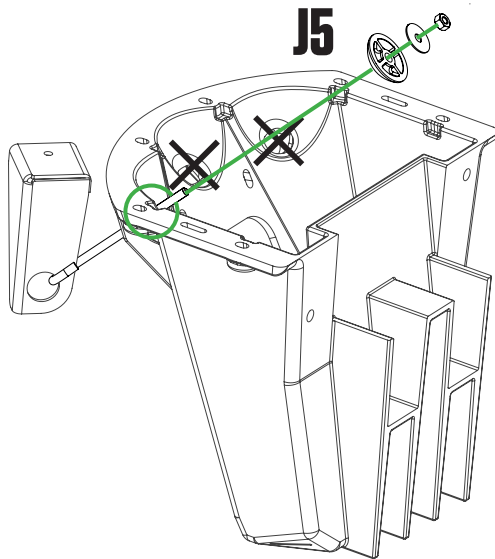
DG8 - 6'9" BED LENGTH: GO TO PAGE 16

DG6 + DG7 INSTALL: J-HOOKS

STOP: Double check that you have a Silverado/Sierra with a 5'9" bed [DG6] or a 6'6" bed [DG7]. If you have the 2500/3500 6'9" bed [DG8], go to the next page 16.

CABSIDE AMMO CAN J-HOOK INSTALL:

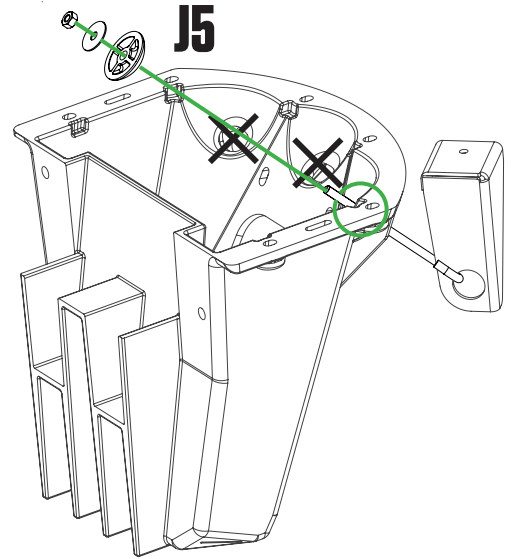
- Insert the J-hooks through the **tailgate** hole on the driver side and passenger side cabside ammo cans and loop J-hook through cabside bracket. Assemble with black spherical washer, flat washer and nut; BAG J5. **IMPORTANT:** Leave all J-hook nuts **LOOSE** until entire deck is in place. If you tighten the J-hooks, you won't be able to center the system properly.



DRIVER SIDE CABSIDE AMMO CAN



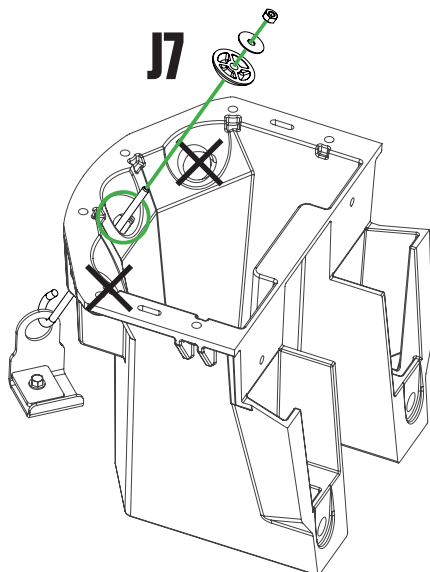
Orient cabside ammo can J-hooks to open with hook toward tailgate



PASSENGER SIDE CABSIDE AMMO CAN

TAILGATE AMMO CAN J-HOOK INSTALL:

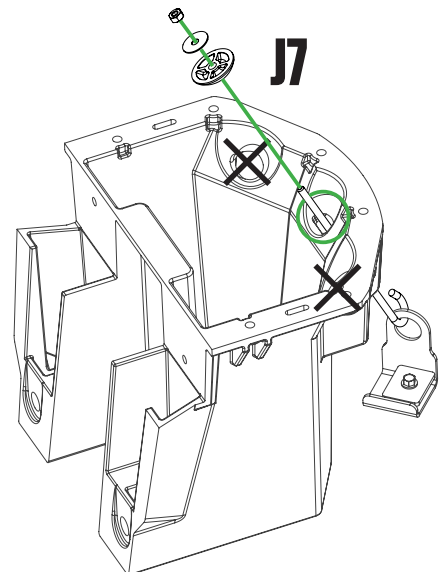
- Insert the J-hooks through the **center** holes on the driver side and passenger side tailgate ammo cans and loop J-hook through tailgate bracket. Assemble with black spherical washer, flat washer and nut; BAG J7. **IMPORTANT:** Leave all J-hook nuts **LOOSE!**



DRIVER SIDE TAILGATE AMMO CAN



Orient tailgate ammo can J-hooks to open with hook toward cab



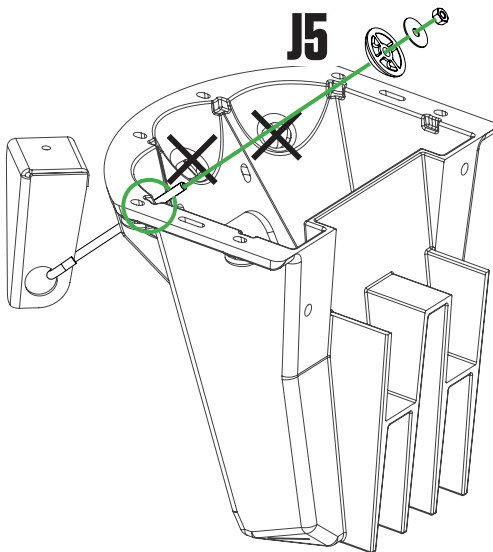
PASSENGER SIDE TAILGATE AMMO CAN

DG8 INSTALL: J-HOOKS

STOP: Double check that you have a 2500/3500 Silverado/Sierra with a 6'9" bed [DG8]. If you have the 5'9" bed [DG6] or a 6'6" bed [DG7], go back to the previous page 15.

CABSIDE AMMO CAN J-HOOKS:

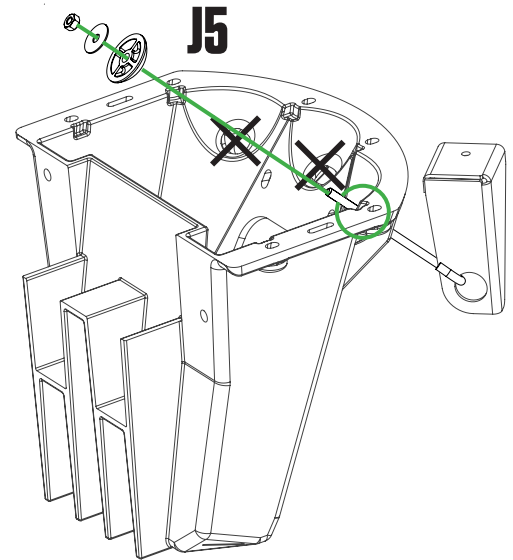
- Insert the J-hooks through the **tailgate** hole on the driver side and passenger side cabside ammo cans and loop J-hook through cabside bracket orientated as shown. Assemble with black spherical washer, flat washer and nut; **BAG J5**. **IMPORTANT: Leave all J-hook nuts LOOSE until entire deck is in place.** If you tighten the J-hooks, you won't be able to center the system properly.



DRIVER SIDE CABSIDE AMMO CAN



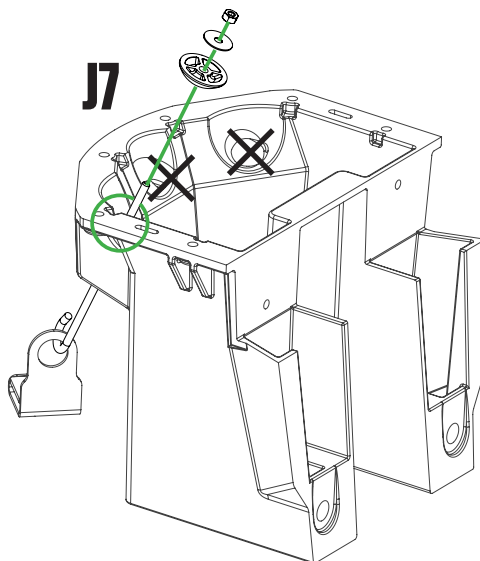
Orient cabside ammo can J-hooks to open with hook toward tailgate



PASSENGER SIDE CABSIDE AMMO CAN

TAILGATE AMMO CAN J-HOOKS:

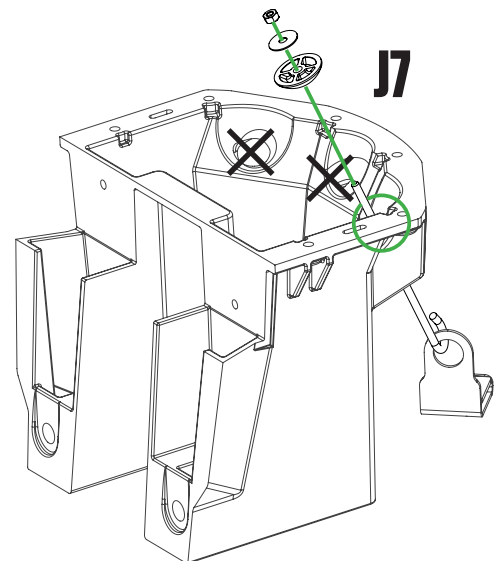
- Insert the J-hooks through the **tailgate** holes on the driver side and passenger side tailgate ammo cans and loop J-hook through tailgate bracket. Assemble with black spherical washer, flat washer and nut; **BAG J7**. **IMPORTANT: Leave all J-hook nuts LOOSE!**



DRIVER SIDE TAILGATE AMMO CAN



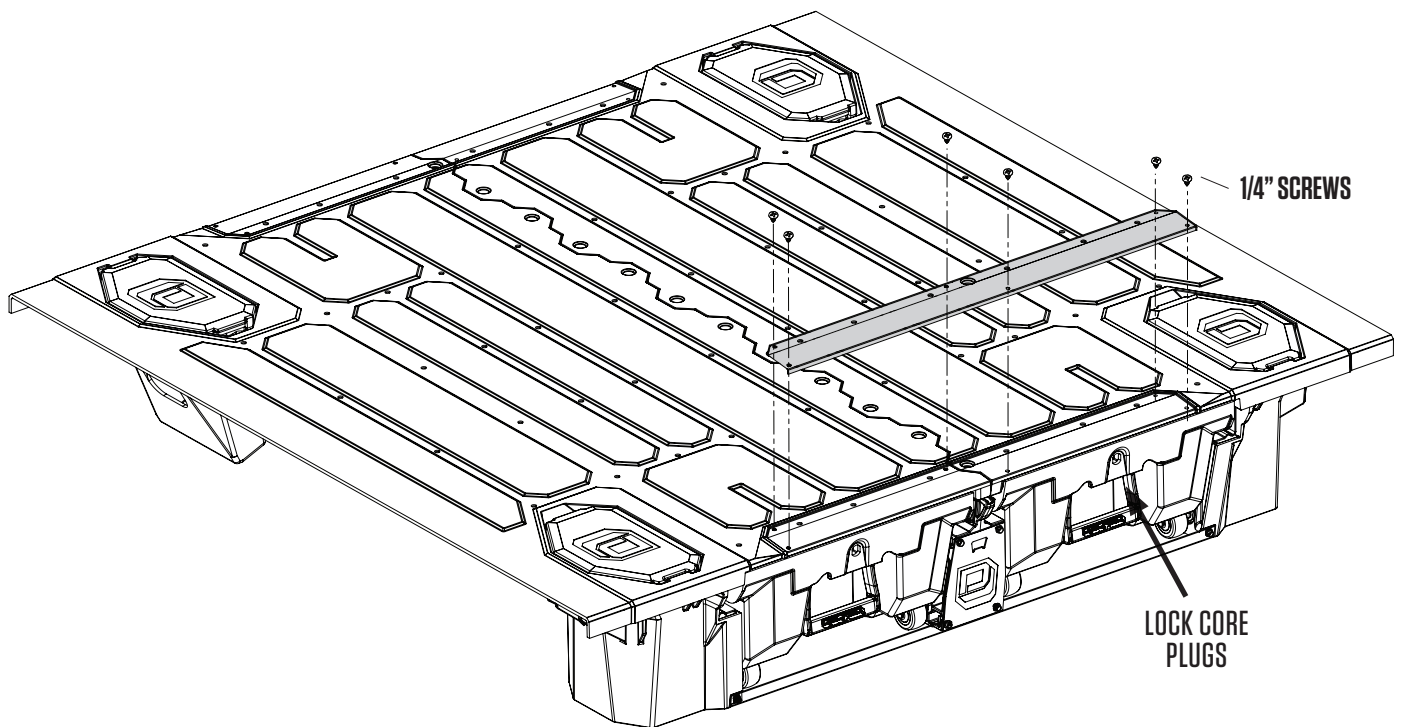
Orient tailgate ammo can J-hooks to open with hook toward cab



PASSENGER SIDE TAILGATE AMMO CAN

TIGHTEN: J-HOOKS

- Finally, tighten the J-hooks, gradually and alternatively. **DO NOT OVER TIGHTEN.**
IMPORTANT: Make sure to center the vert in the center of your bed. Don't worry about side gaps, center the vert on the center rib of the bed.
- Install thread bolt protectors on J-hook ends, if provided.
- Install ruler by aligning the ruler holes with the inserts in the decks. Use your fingers to start the 1/4" screws to avoid cross-threading. Tighten just until snug with a 1/8" Allen wrench.
- Insert lock core plugs, or install locks if purchased.
- Nice job. Your mother and I are very proud of you.



RECOMMENDED TORQUE: J-hooks - 9 in-lb.

IMPORTANT: Grab your favorite beverage, crack 'er open in the bottle opener and make a toast to your truck. You did it. Immediately post a photo of your significant other, child or canine (in no order of significance - please someone show us your pet alligator) appreciating your accomplishment. Add hashtag #DECKEDUSA | @DECKEDUSA.

DECKED 3-YEAR LIMITED WARRANTY

(a.k.a. LEGAL MUMBO JUMBO)

DECKED LLC warrants to the original purchaser of this product that the product will be free from manufacturing defects in workmanship and materials for a period of three (3) years from the date of the original purchase. If within three (3) years from the original date of purchase this product fails due to defect in materials or workmanship, DECKED LLC will replace any defective part at its option.

The original purchaser must contact the DECKED LLC customer service team and provide a description of the defective part, including digital pictures if requested, with the original purchase documentation as validation of warranty coverage or have previously activated their warranty online.

This warranty DOES NOT cover or apply to:

- Damage to the product due to misuse, mishandling and abuse.
- Products not used in accordance with the manufacturer's instructions or recommendations.
- Product not assembled or installed according to manufacturer's instructions.
- Normal wear and tear.
- Undeclared damage to the system during shipping, acts of God. In addition, consequential damage and incidental damages (including lost time) such as damage to persons or property are not covered under this warranty.

REGISTER YOUR PRODUCT FOR ANY FUTURE WARRANTY NEEDS. [**DECKED.COM/REGISTER**](https://www.decked.com/register)