

EN

With your inspiring rating, COSTWAY will be more consistent to offer you EASY SHOPPING EXPERIENCE, GOOD PRODUCTS and EFFICIENT SERVICE!

DE

Mit Ihrer inspirierenden Bewertung wird COSTWAY konsistenter sein, um Ihnen EIN SCHÖNES EINKAUFSERLEBNIS, GUTE PRODUKTE und EFFIZIENTEN SERVICE zu bieten!

FR

Avec votre évaluation inspirante, COSTWAY continuera à fournir une EXPÉRIENCE D'ACHAT PRATIQUE, des PRODUITS DE QUALITÉ et un SERVICE EFFICACE !

ES

Con su calificación inspiradora, COSTWAY será más consistente para ofrecerle EXPERIENCIA DE COMPRA FÁCIL, BUENOS PRODUCTOS y SERVICIO EFICIENTE.

IT

Con la tua valutazione incoraggiante, COSTWAY sarà più coerente per offrirti ESPERIENZA DI ACQUISTO FACILE, BUONI PRODOTTI e SERVIZIO EFFICIENTE!

PL

Dzięki twojej opinii COSTWAY będzie mógł oferować jeszcze WYGODNIEJSZE ZAKUPY, LEPSZE PRODUKTY i SPRAWNIEJSZĄ OBSŁUGĘ KLIENTA.

US office: Fontana

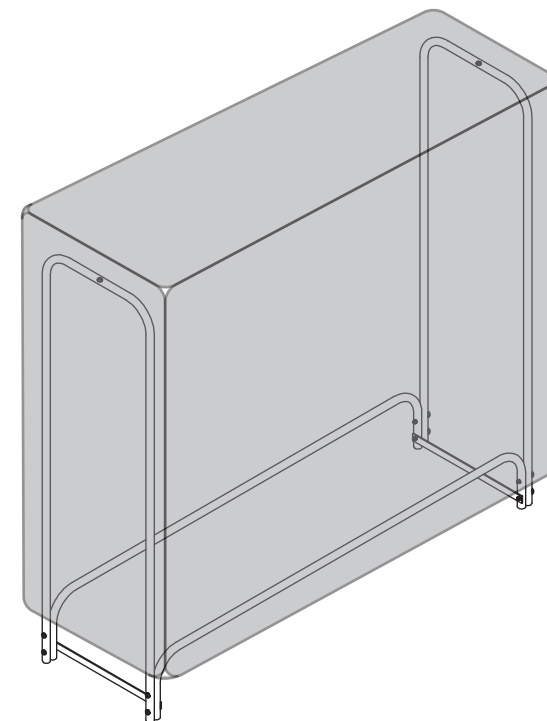
UK office: Ipswich

AU office: Truganina

DE office: Hamburg

FR office: Saint Vigor d'Ymonville

PL office: Gdańsk



USER'S MANUAL

Firewood Storage Rack NP10537/NP10538

PARTS LIST

Part#	Description	QTY
A	End Supports	2
B	Base Supports	2
C	Bolts	10
D	Nuts	10
E	Support rod	2
F	Cover	1

CAUTION:

Do not load storage rack until fully assembled on a flat, level surface. Your firewood should be loaded and unloaded evenly for proper weight distribution. If the load is unbalanced, the rack could tip over and cause injury. Keep this product clean by using a damp cloth. Do not use abrasive cleaners, as it will cause parts to tarnish or rust.

INSTRUCTIONS:

- 1) Remove all contents from packaging. Make sure all of your parts are present.
- 2) Align the holes in the end supports (A) with the holes in the base supports (B).
- 3) Secure into place by threading a bolt (C) through the end support (A) and the base support (B), the support rod (E). Attach a nut (D) (Loosely) to the end of each bolt (C).
- 4) Repeat steps 2 & 3 for the other side of the log rack.
- 5) Tighten all bolt and nut connections. Your Firewood Storage Rack is now ready for loading.

