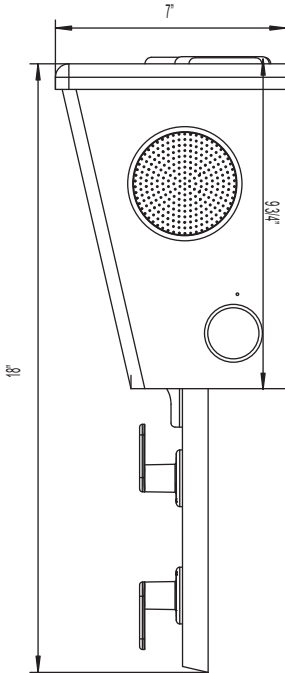




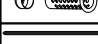


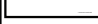


installation instructions

Collection: Vanity Valet Boutique Item Code: VVB

1 Included accessories



Item No.	Description	Material	Qty.	Use with
ACHR-50		Zinc	3	3/4" #8 x 2"
SCR8FH2		Zinc	3	2" Anchor
TB00102		Stainless Steel	1	3" Appliance holder
TB00101		Stainless Steel	2	2" Appliance holder
TB00103		Stainless Steel	1	1.5" Appliance holder
RL2512		PC	1	12" Dowel and 1 1/4" screw
PW0105		Misc	1	Mounts using 4 #6 1/2" screws
TMP010		Paper	1	8.5"x11" Wall

2

- Carefully review instructions prior to assembly.
- Required tools: Phillips head screwdriver or drill.
 - Save these instructions for future reference.

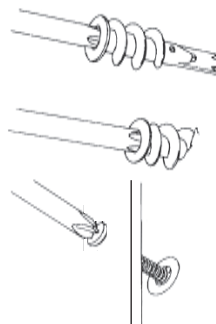
WARNING:

POWERSTRIP MUST BE PLUGGED INTO A GFCI (GROUND FAULT CIRCUIT INTERRUPTER) PLUG. FAILURE TO DO SO MAY RESULT IN SERIOUS INJURY AND/OR DAMAGE TO THE UNIT.

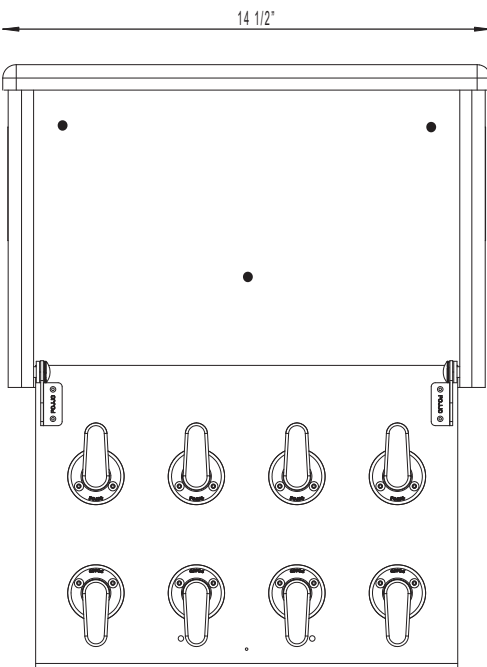
SAFETY WARNING: STAINLESS STEEL TUBES AND CAP CAN BECOME VERY HOT DEPENDING ON HOW LONG A HOT TUBE IS LEFT INSIDE. PARTICULAR CARE SHOULD BE TAKEN TO AVOID TOUCHING HEATED METAL SURFACES.

3

- Locate the wall you wish to use for mounting the Boutique (VVB).
- Take the mounting template and tape it to the location for the VVB.
- Determine if any of the 3 holes hit a stud.
 - If yes, do not use a drywall screw for that particular hole. Instead, pre-drill and insert a wood screw for that location. Continue to step 4.
 - If no, continue to 4.
- Use a pencil or tapper to pierce the paper and mark the three holes for the dry wall screws.
- Remove template and add each anchor to identified screw hole:



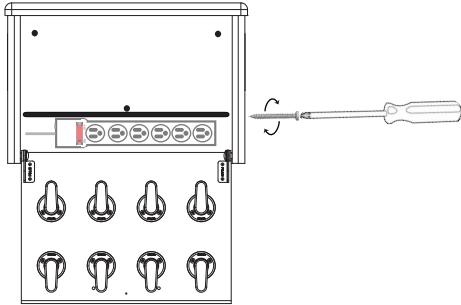
- Place #2 Phillips screwdriver into recess of the anchor.
- Press into drywall while turning the anchor clockwise until it is sealed flush with the wall.
- Place VVB in position, over installed anchor. Insert screw with screwdriver. Tighten VVB in place.
- Repeat this process for all 3 holes.



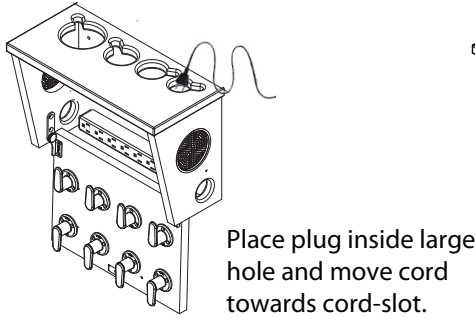
assembly instructions

Collection: Vanity Valet Boutique Item Code: VVB

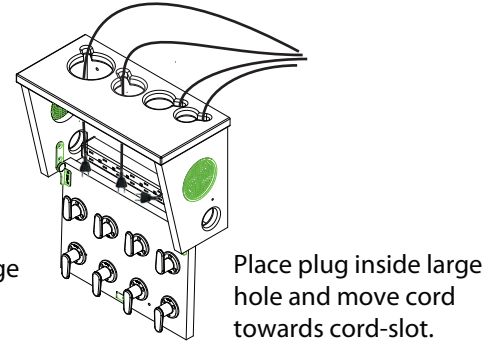
1 Remove Bar



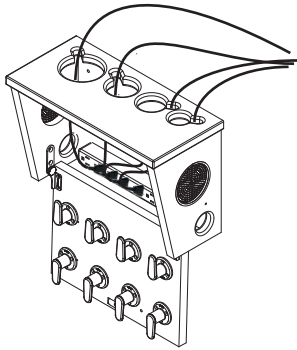
2 Add Tool Cord



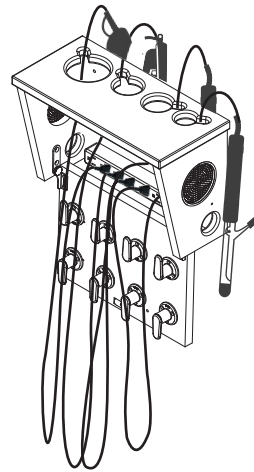
3 Add All Tool Cords



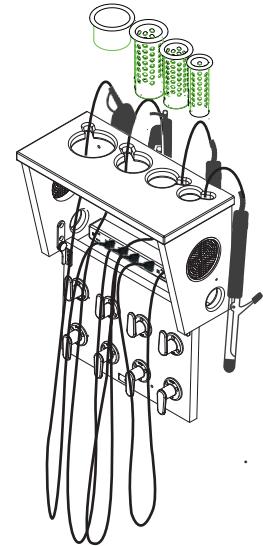
4 Plug In Appliances



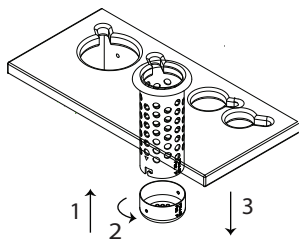
5 Pull Cords Through



6 Add All Tool Cords

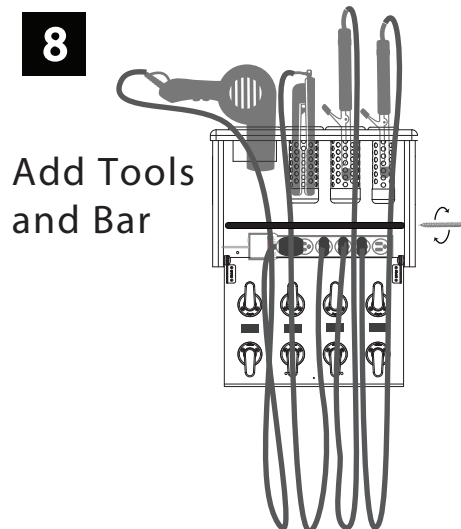


7 Add Caps

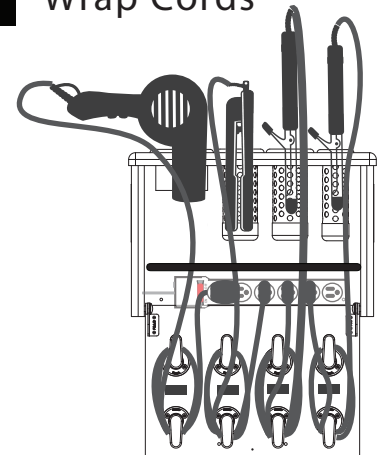


1. Push cap up
2. Twist
3. Pull down to lock

8 Add Tools and Bar



9 Wrap Cords

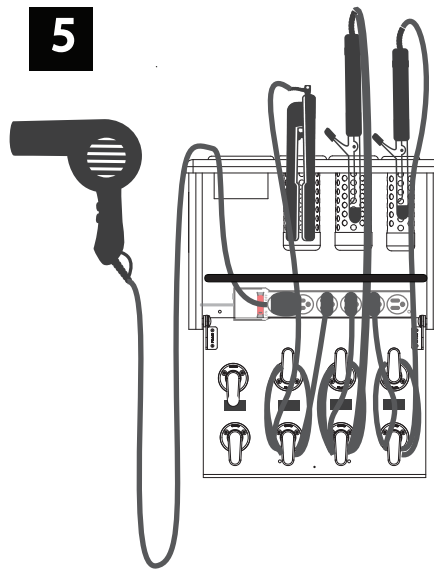
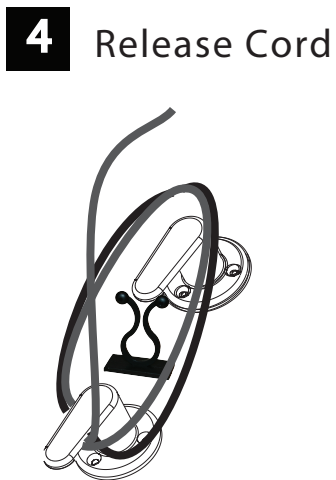
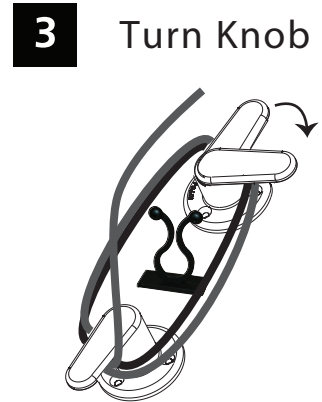
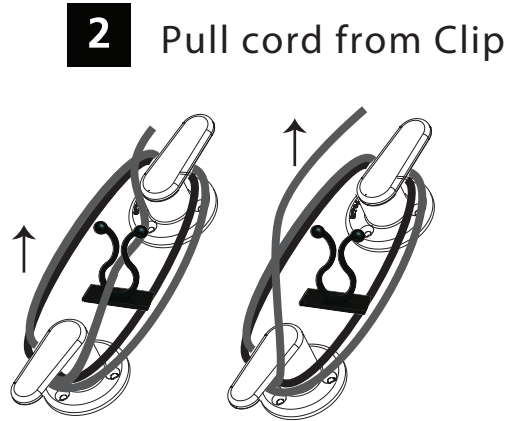
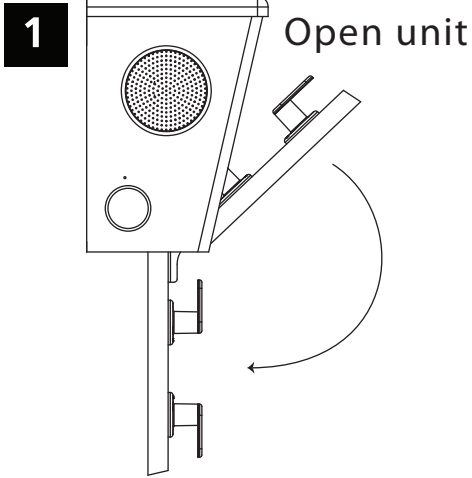




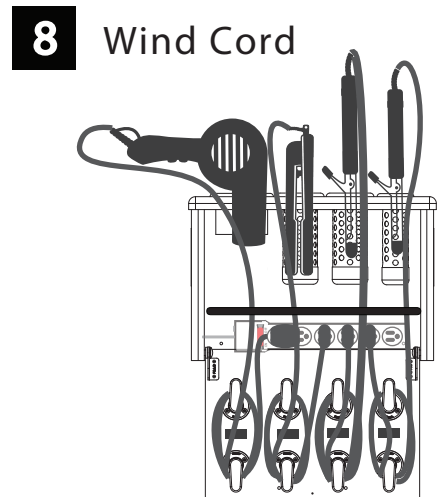
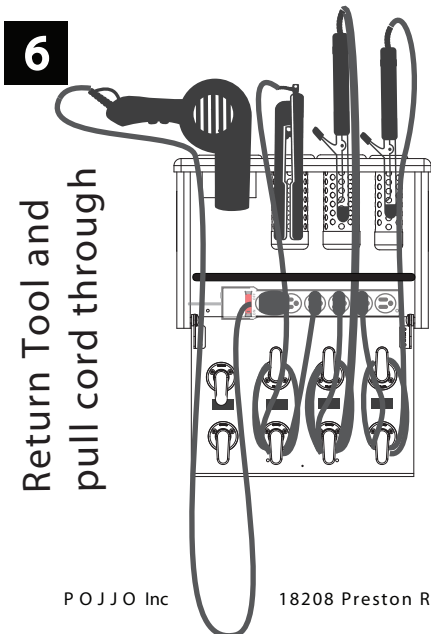
how to use

VWB-04

Collection: Vanity Valet Boutique Item Code: VVB



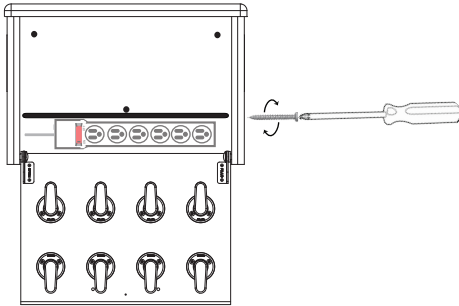
Remove Tool,
Pull Cord Through
&
USE



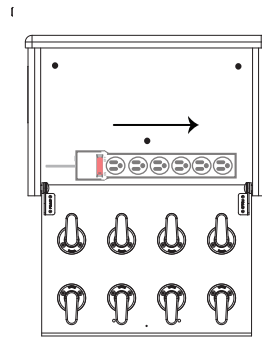
changing power strip

Collection: Vanity Valet Boutique Item Code: VVB

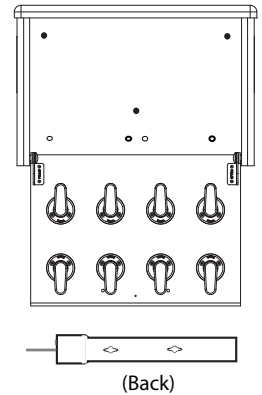
1 Remove Bar



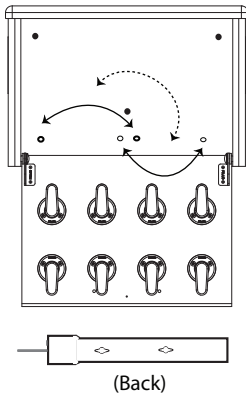
2 Push Power Strip to the Right



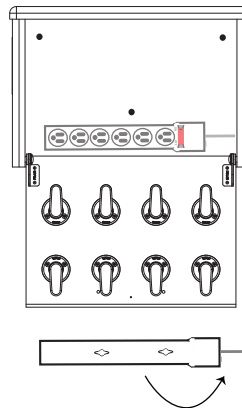
3 Remove Power Strip



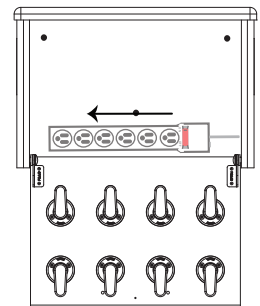
4 Move Screws to Other Open Holes



5 Snap Power Strip over Screws



6 Shift Power Strip to the Left (locks in place)



You may choose to change the power strip location to accommodate the location of your plug or to make this unit usable in other countries. If you choose to change the strip, and the holes do not match up, simply measure correctly and drill new holes to match the strip you intend to you.