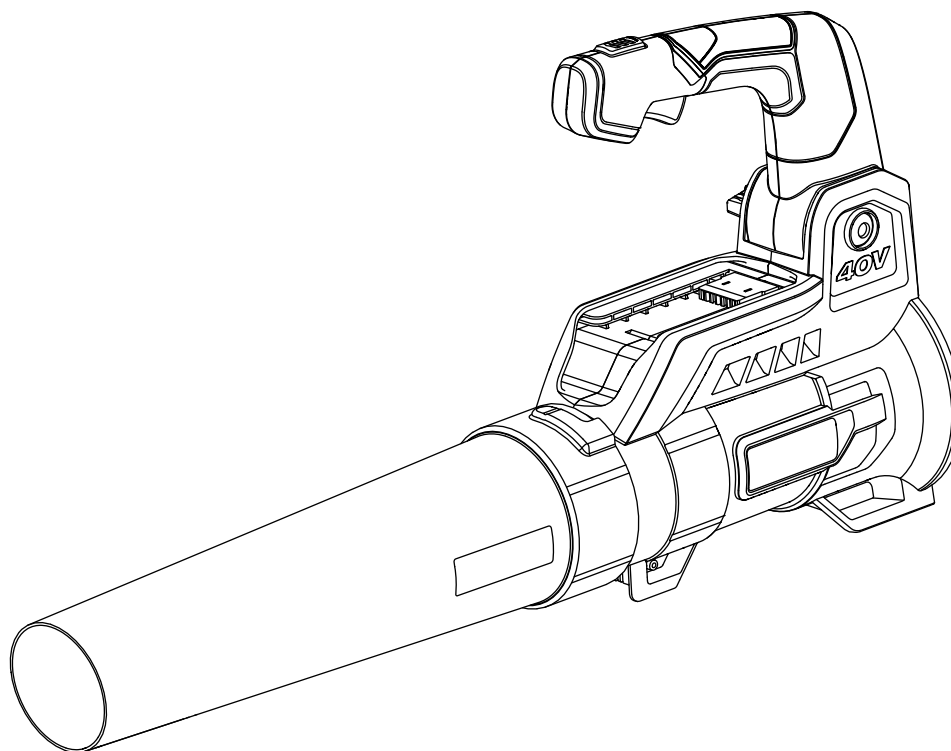


REPAIR SHEET

BRAND RYOBI		DESCRIPTION 40 Volt Jet Fan Blower
MODEL NO. RY40408VNM	MFG. NO. 108600101	

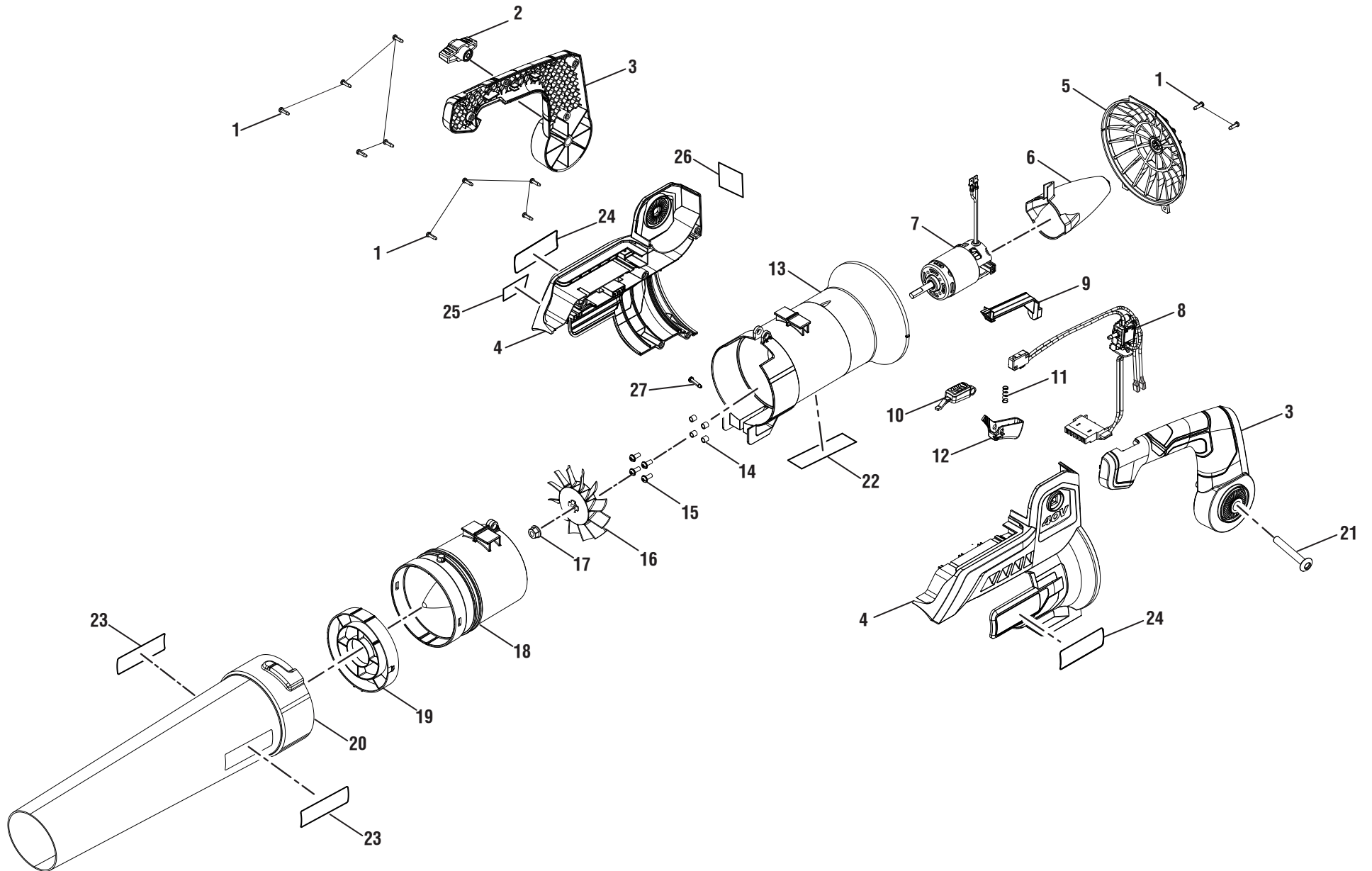


TECHTRONIC INDUSTRIES POWER EQUIPMENT

P.O. Box 1288, Anderson, SC 29622 ■ 1-800-525-2579 ■ www.ryobitools.com

4-21-21 (Rev:02)

The model number and manufacturing location will be found on a label attached to the product. Always mention this information in all communications regarding this product and when ordering parts.





RY40408VNM

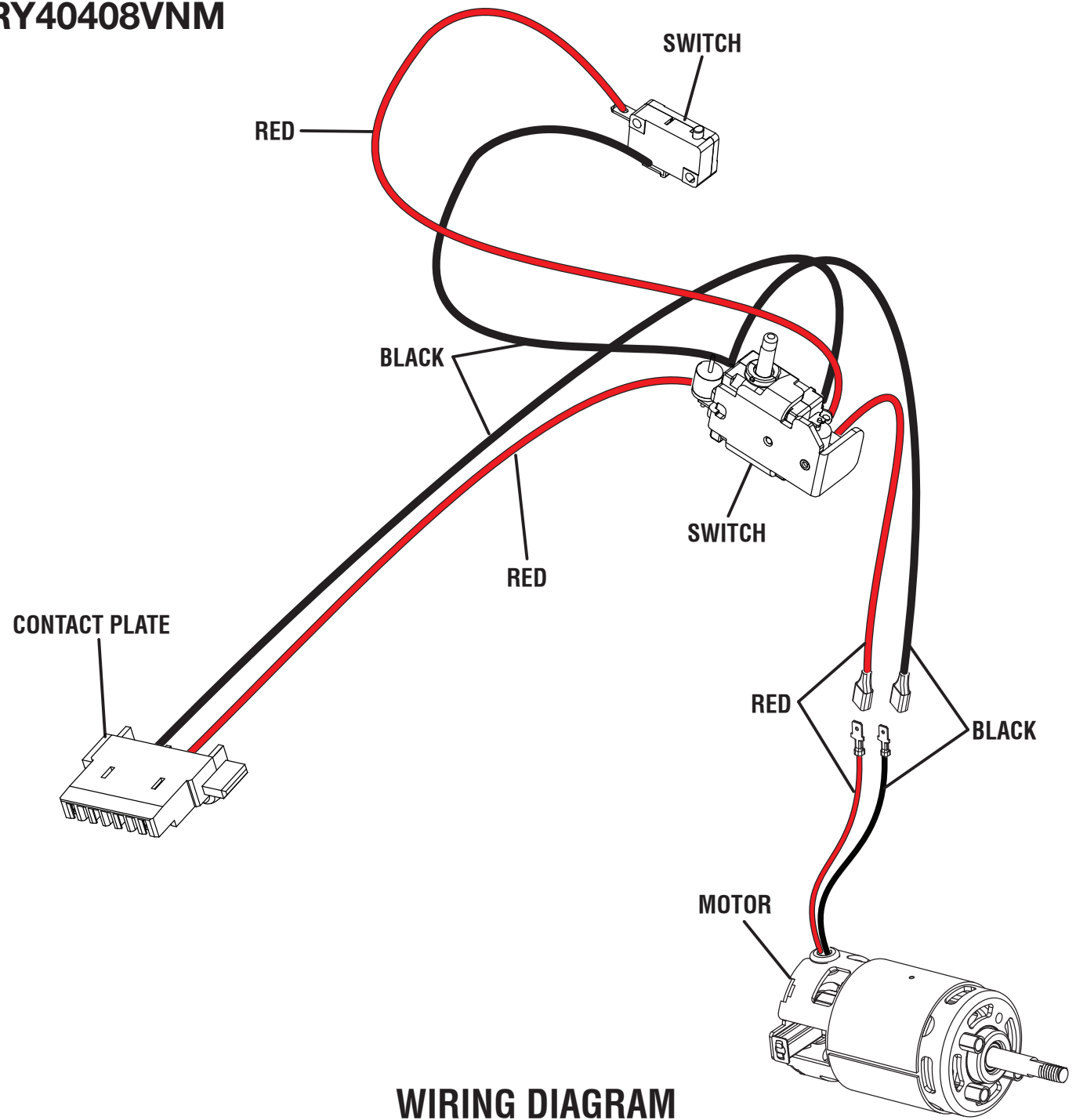
PARTS LIST

KEY NO.	PART NO.	DESCRIPTION	QTY.
1	661817001	Screw (M4 x 14 mm, T15 Torx Pan Hd.)	11
2	539320002	Handle Knob	1
3	205336001	Handle Assembly	1
4	205335001	Housing Assembly (Inc. Key Nos. 24-26)	1
5	539791001	Inlet Guard	1
6	539793001	Motor Cone	1
7	742510003	Motor	1
8	205337001	Battery Holder and Switches Assembly	1
9	539800001	Switch Cap	1
10	539799001	Turbo Button	1
11	671073001	Compression Spring	1
12	539798001	Trigger	1
13	205357001	Motor Mount Assembly (Inc. Key No. 22)	1
14	697725001	Bushing	4
15	660917004	Screw (M5 x 0.8 mm, T25 Torx Pan Hd.)	4

KEY NO.	PART NO.	DESCRIPTION	QTY.
16	537642001	Fan	1
17	678128002	Lock Nut (M8)	1
18	539792001	Stator	1
19	537637001	Vane Insert	1
20	205334001	Blower Tube Assembly (Inc Key No. 23)	1
21	541033001	Handle Knob Bolt	1
22	941588638	Data Label	1
23	940114537	Jet Fan Logo Label	2
24	940851584	Logo Label	2
25	940657342	Warning Label (French & Spanish)	1
26	940657341	Warning Icon Label	1
27	661864007	Screw (M4 x 18 mm, T15 Torx Pan Hd.)	1
	Not Shown:		
	998000091	Operator's Manual	



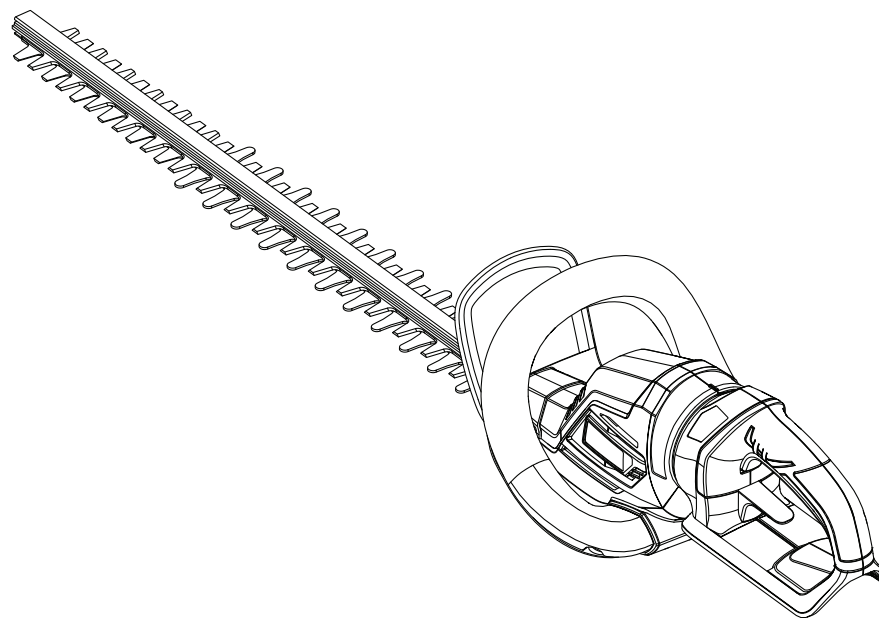
RY40408VNM



WIRING DIAGRAM

REPAIR SHEET

BRAND RYOBI		DESCRIPTION 40 Volt Hedge Trimmer
MODEL NO. RY40602 RY40602VNM	MFG. NO. 107273001 107273101	

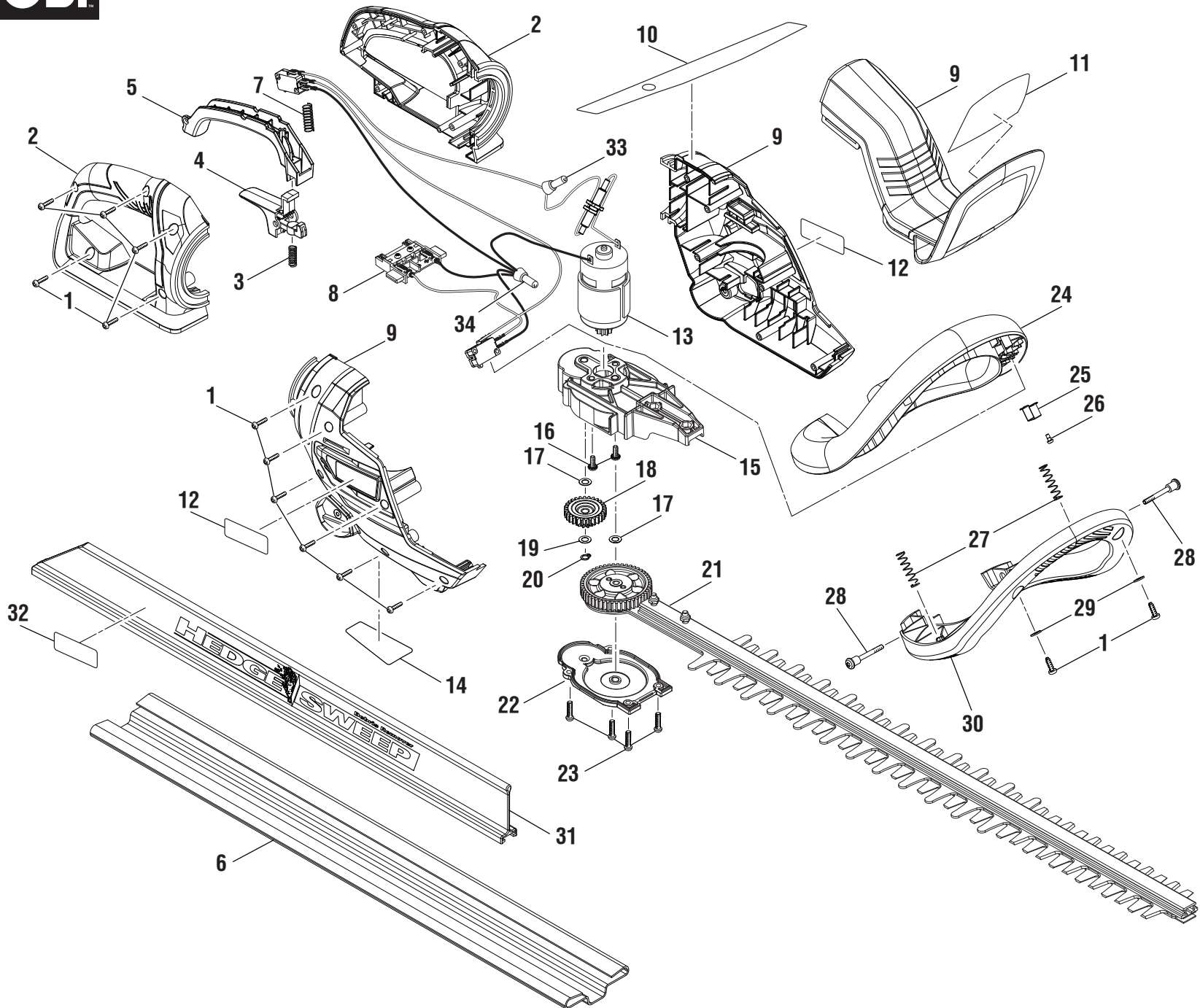


TECHTRONIC INDUSTRIES POWER EQUIPMENT

P.O. Box 1288, Anderson, SC 29622 ■ 1-800-525-2579 ■ www.ryobitools.com

10-13-20 (Rev:07)

The model number and manufacturing location will be found on a label attached to the product. Always mention this information in all communications regarding this product and when ordering parts.



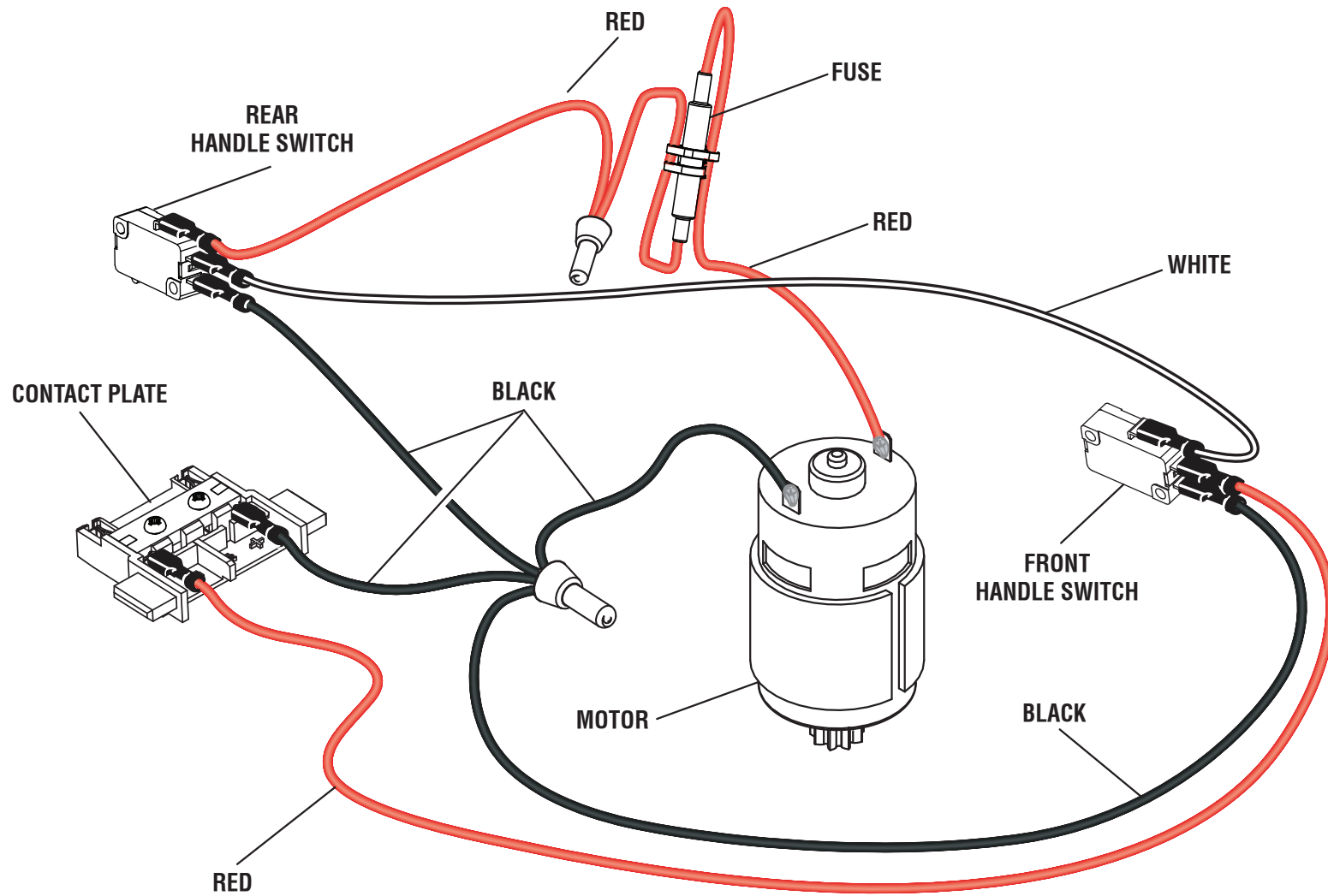


RY40602/RY40602VNM

PARTS LIST

KEY NO.	PART NO.	DESCRIPTION	QTY.
1	661817002	Screw (M4 x 13.5 mm, T15 Torx Pan Hd.)	13
2	205095001	Rear Handle Assembly	1
3	695164001	Compression Spring	1
4	311716001	Lock-off Trigger Assembly	1
5	529765001	Trigger	1
6	528341001	Scabbard	1
7	679055008	Compression Spring	1
8	205100001	Switch and Contact Plate Assembly (Inc. Key Nos. 13 & 33-34)	1
9	205094001	Motor Housing Assembly (Inc. Key Nos. 10-12 & 14, RY40602)	1
	317364001	Motor Housing Assembly (Inc. Key Nos. 10-12 & 14, RY40602VNM)	1
10	940851648	Angle Adjustment Label	1
11	941589006	Warning Label	1
12	940705517	Logo Label	2
13	205099001	Motor Assembly	1
14	941589007	Data Label (RY40602)	1
	941588550	Data Label (RY40602VNM)	1
15	535298001	Gear Case	1
16	660137001	Screw w/Lock Washer (M4 x 12 mm, Pan Hd.)	2
17	670914001	Washer (M6)	2

KEY NO.	PART NO.	DESCRIPTION	QTY.
18	312379001	Middle Gear Assembly	1
19	638623005	Washer (OD10 x 5.3ID x 0.5t)	1
20	679048001	Retaining Ring	1
21	205096001	Blade Assembly (24 in.)	1
22	535297001	Gear Case Cover	1
23	660208052	Screw (M4 x 16 mm, Pan Hd.)	4
24	526800001	Front Handle	1
25	639109001	Switch Bracket	1
26	660203073	Screw (M3 x 6 mm, Pan Hd.)	1
27	679055009	Compression Spring	2
28	660137014	Screw (M4 x 38 mm, T20 Torx Pan Hd.)	2
29	690969001	Washer (OD10 x ID4.2 x 1t)	2
30	526801001	Front Handle Cover	1
31	205101001	Hedge Sweep (Inc. Key No. 32)	1
32	941769001	Warning Label	1
33	790009004	Wire Connector	1
34	790021001	Wire Connector	1
	Not Shown:		
	995000583	Operator's Manual	



WIRING DIAGRAM