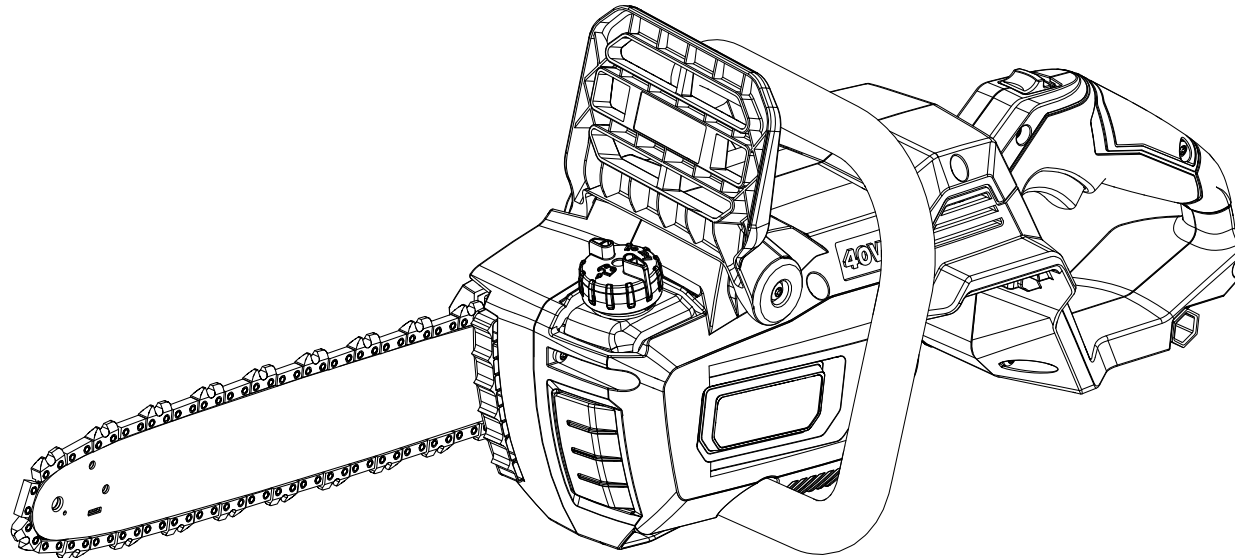


REPAIR SHEET

BRAND RYOBI		DESCRIPTION 40 Volt 14 in. Chainsaw
MODEL NO. RY405010	MFG. NO. 107507010	

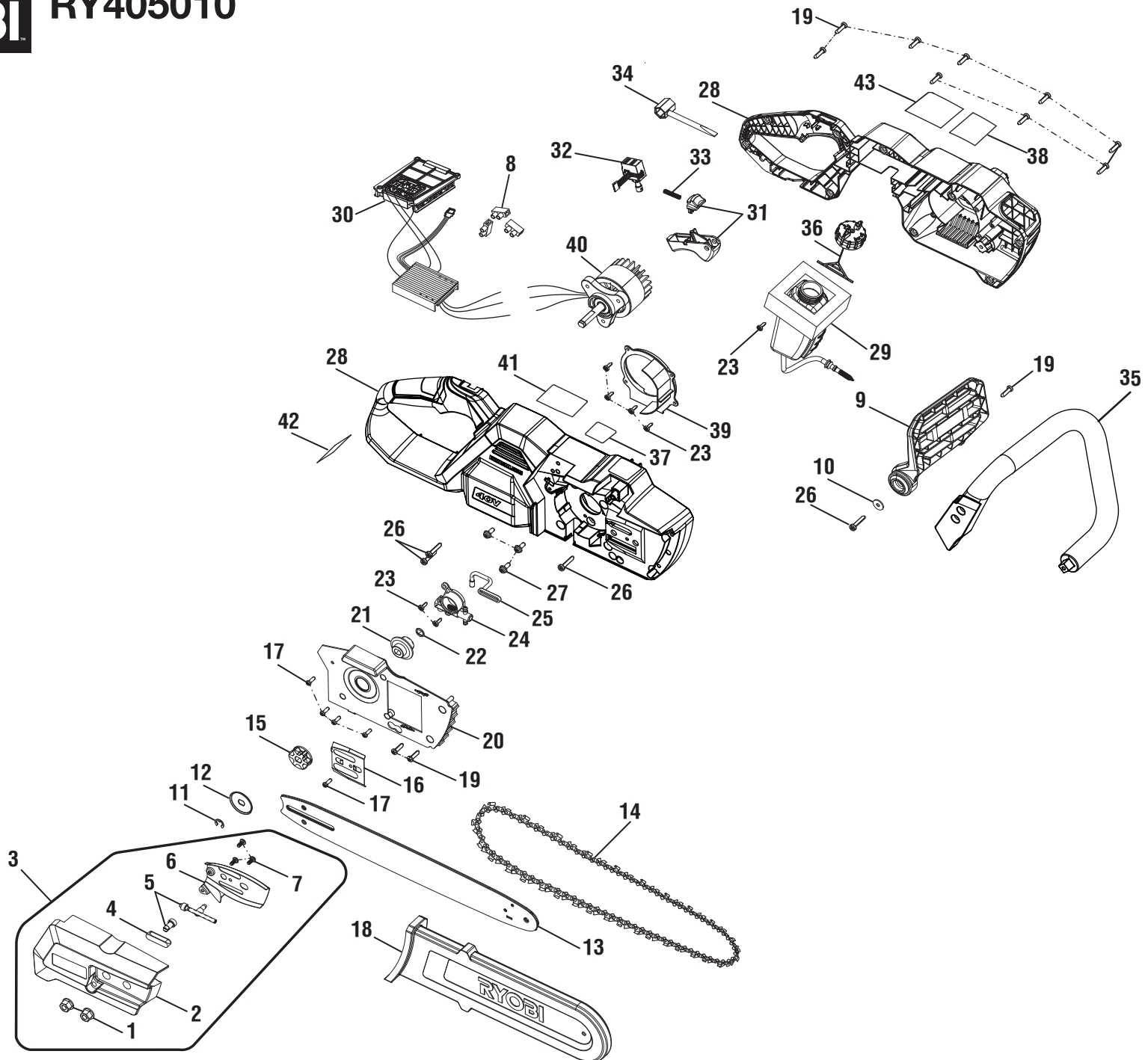


TECHTRONIC INDUSTRIES POWER EQUIPMENT

P.O. Box 1288, Anderson, SC 29622 ■ 1-800-525-2579 ■ www.ryobitools.com

8-19-21 (Rev:01)

The model number and manufacturing location will be found on a label attached to the product. Always mention this information in all communications regarding this product and when ordering parts.





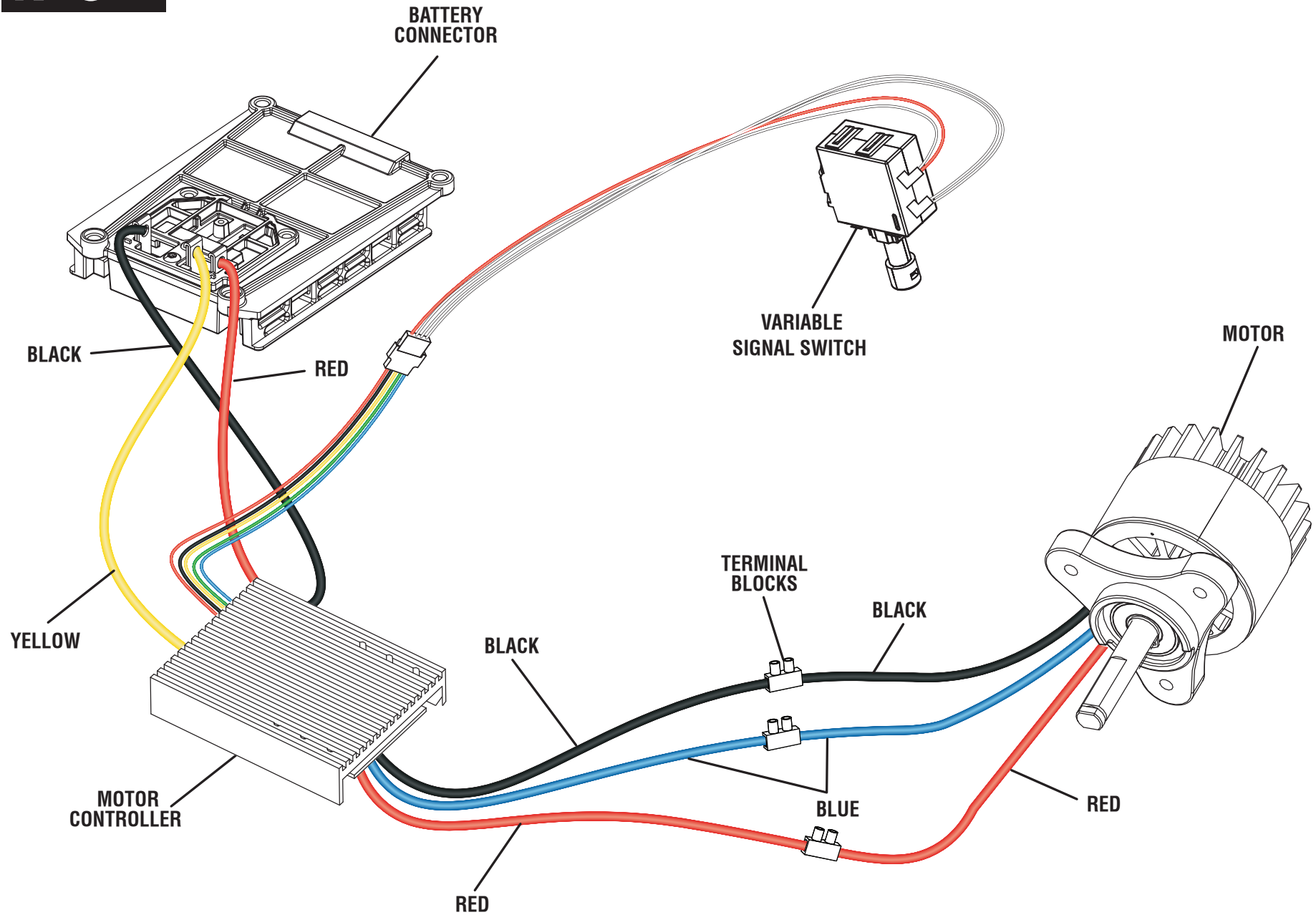
RY405010

PARTS LIST

KEY NO.	PART NO.	DESCRIPTION	QTY.
1	678339003	Hex Nut (5/16-18)	2
2	314745001	Bar Cover	1
3	205643001	Bar Cover Assembly (Inc. Key Nos. 1-2 & 4-7)	1
4	563443001	Rubber Plate	1
5	205642001	Driving Adjustment Gear Assembly	1
6	658138001	Guide Plate	1
7	660922001	Screw (M4 x 12 mm, T20 Torx Pan Hd.)	3
8	900876003	Terminal Block	3
9	537279001	Guard	1
10	638988001	Washer	1
11	636159001	E-Ring	1
12	635367001	Cap Washer	1
13	314675001	Bar (14 in.)	1
14	682006004	Chain (14 in.)	1
15	612313001	Sprocket	1
16	635335001	Guide Bar Plate	1
17	662083001	Screw (M4 x 12 mm, T20 Torx Pan Hd.)	5
18	580491001	Scabbard	1
19	662051001	Screw (M5 x 19 mm, T20 Torx Pan Hd.)	12
20	537277001	Cover Housing	1
21	537485001	Oil Pump Drive	1
22	658198001	Washer	1
23	660608001	Screw (M4 x 12 mm, T-20 Torx Pan Hd.)	7

KEY NO.	PART NO.	DESCRIPTION	QTY.
24	309516002	Oil Pump	1
25	565069001	Oil Output Tube	1
26	662053001	Screw (M5 x 25, T25 Torx Pan Hd.)	4
27	662052002	Screw (M5 x 8 mm, T25 Torx Pan Hd.)	3
28	205640001	Housing Assembly (Inc. Key Nos. 37-38 & 41-43)	1
29	314746001	Oil Tank Assembly	1
30	314747001	Motor Controller and Battery Connector Assembly	1
31	205641001	Switch Trigger and Lock-Out Button Assembly	1
32	760579005	Switch	1
33	694143001	Compression Spring	1
34	612330001	Wrench	1
35	537276001	Front Handle	1
36	306888006	Oil Tank Cap Assembly	1
37	941851111	Warning Icon Label (Right)	1
38	941851110	Warning Icon Label (Left)	1
39	537280002	Volute Cover	1
40	742089004	Motor	1
41	941588993	Data Label	1
42	941097032	QR Label	1
43	941097031	Warning Label (English/Spanish, Left)	1
	Not Shown:		
	998000666	Operator's Manual	

RYOBI RY405010



WIRING DIAGRAM