

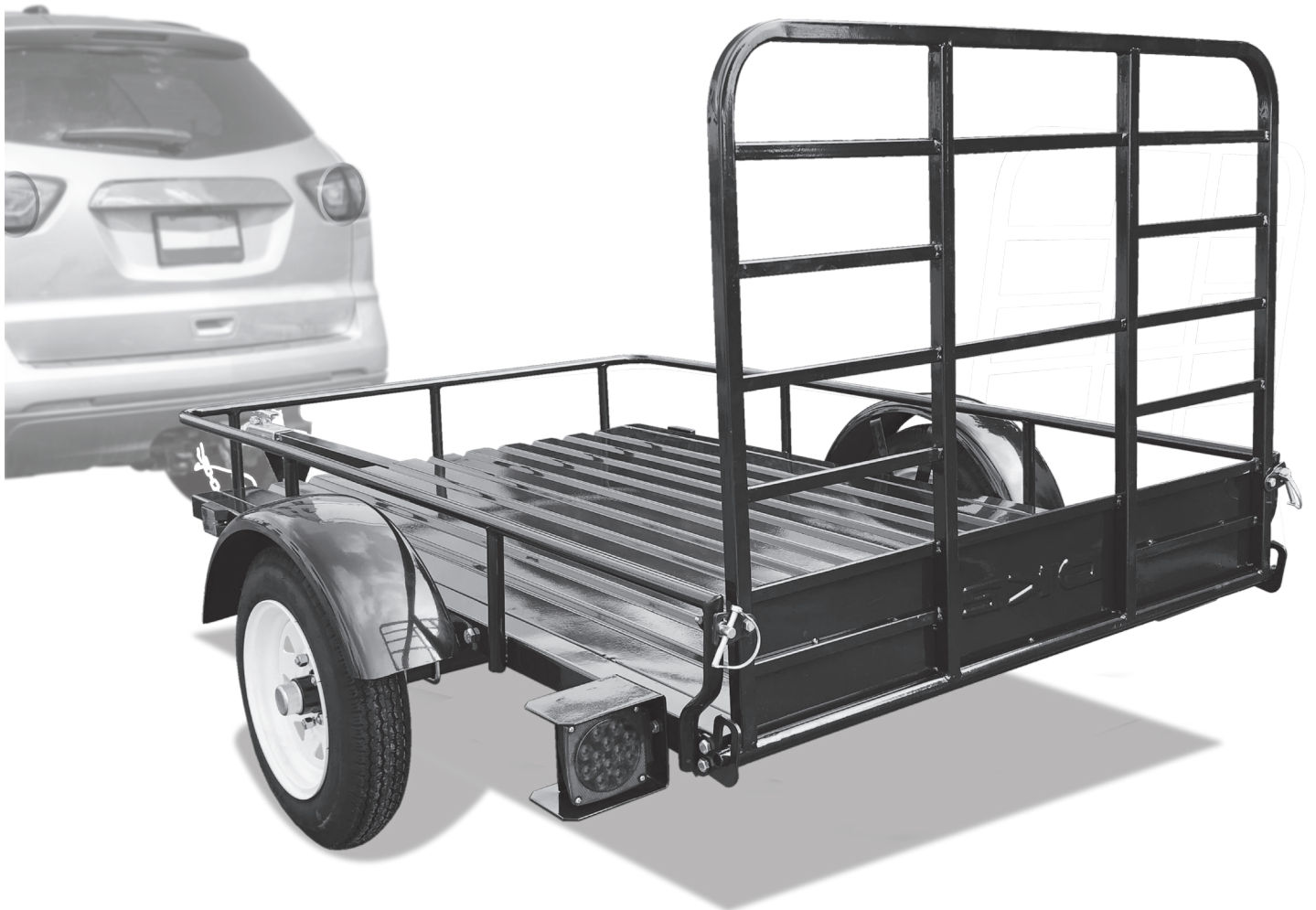


Trailer Assembly Guide
Model MMT4X60
1600 GVWR All Steel Trailer

DETAIL K2 INC.

1080 Clay Ave., Unit #2
Burlington Ont. L7L 0A1
1-888-277-6960

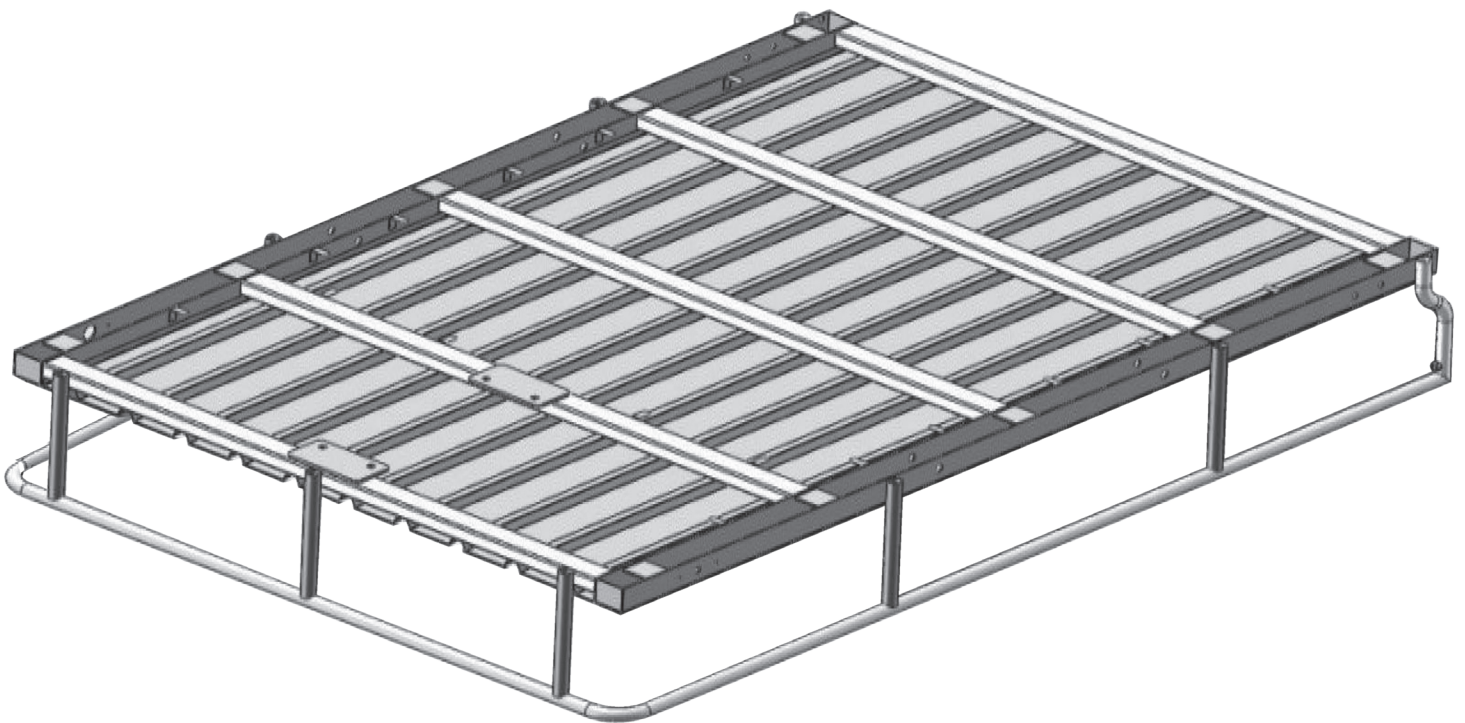
6 ft. (182 cm)
Utility
Trailer



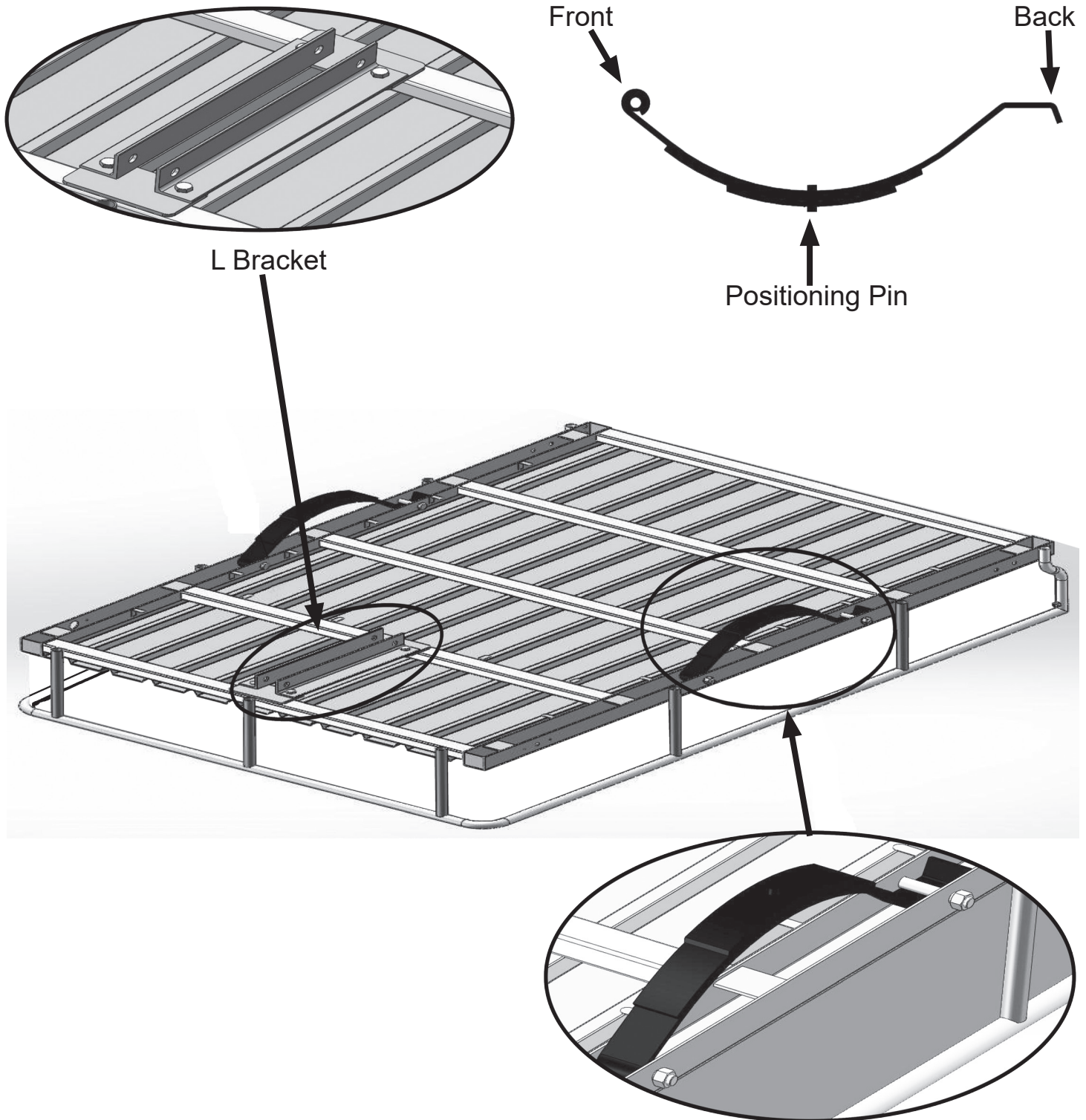
STEP 1

Open and unpack all items. Leave lots of working space as you will need to flip the trailer over later in the assembly.

The trailer frame is shipped upside down as shown. Leave the frame on the cardboard and use it as your work surface.



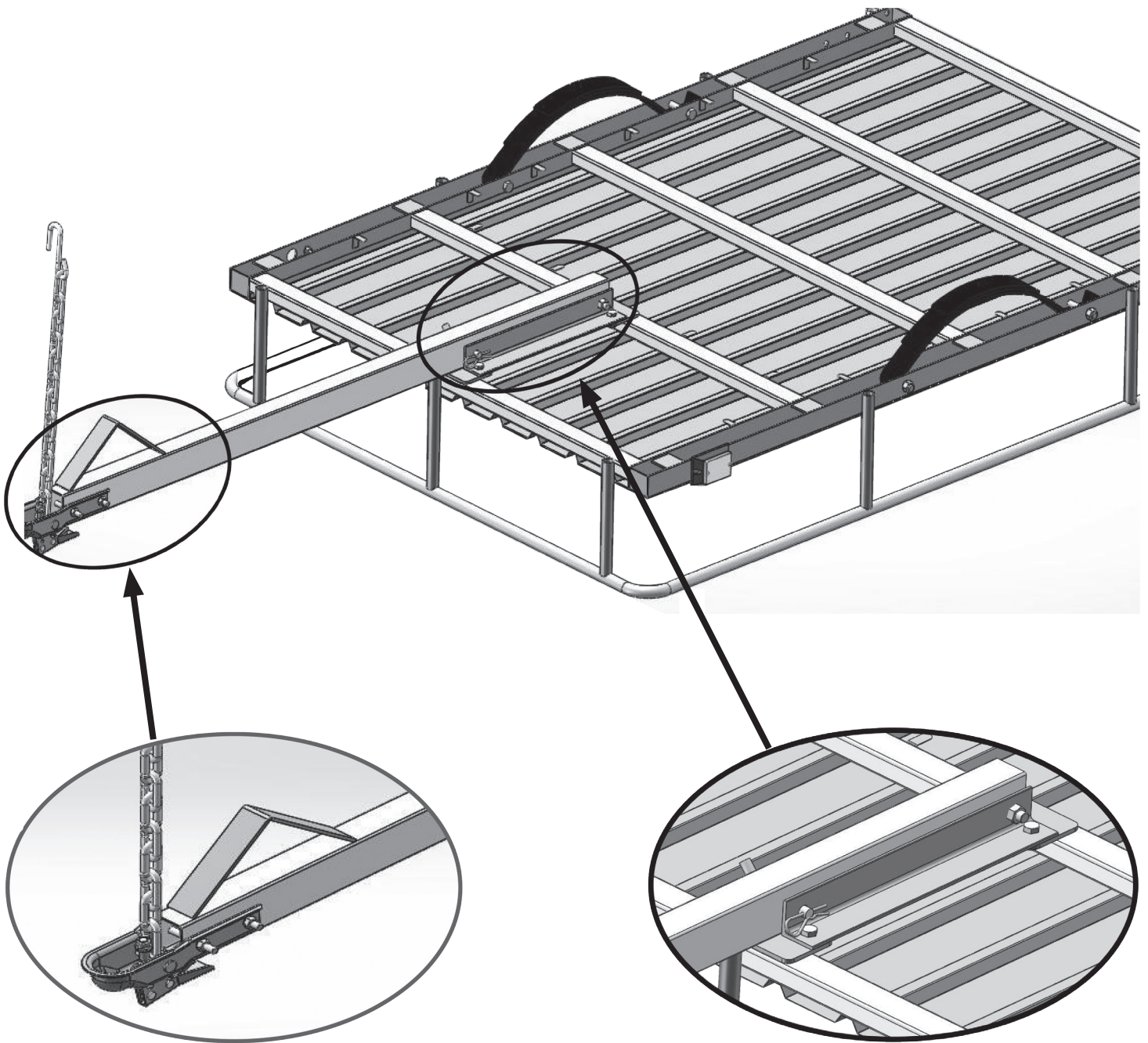
STEP 2



Place springs as shown, with the spring eye oriented towards the front of the trailer. Insert the two M14 x 85 mm bolts from inside through the springs, then tighten until spring is secure. Do not over-tighten, as it will collapse spring channel.

Place the 2 pc. L brackets between front cross member and the first cross member and use the M12 x 25 mm bolts to fasten L brackets onto the frame.

STEP 3



Place the tongue tube between the two L Brackets by using M14 x 85 mm bolts.

Install the coupler and safety chains using the M10 x 80 mm bolts and M10 lock nuts provided.

The front bolt passes through the end link of the safety chain as it is inserted through the tongue tubes. Tighten both bolts.

STEP 4

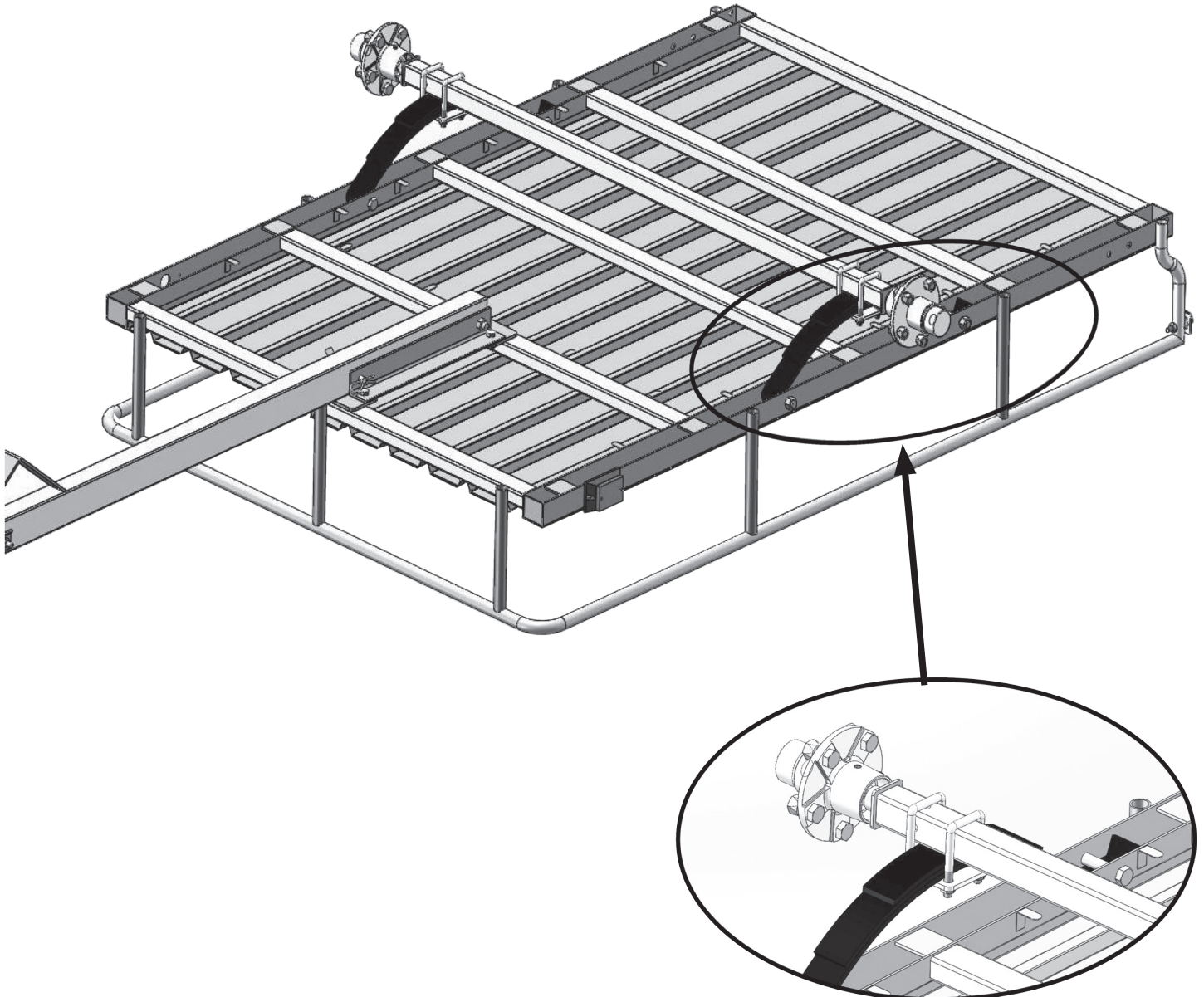
Place the Axle on the top of the Spring. Align depression on Axle with protrusions on Spring.

On each end of the Axle, place Spring Plates under Spring and insert M12 x 90 U-bolt downward over the Axle and through the mounting hole in the Spring Plate. Adjust the Spring Plates slightly to allow the holes to line up.

Secure the Axle with M12 washers and M12 Nylock nuts.

NOTE: *Insert the raised point on the spring into the concave on the axle.*

Make sure that the axle is in the right position.

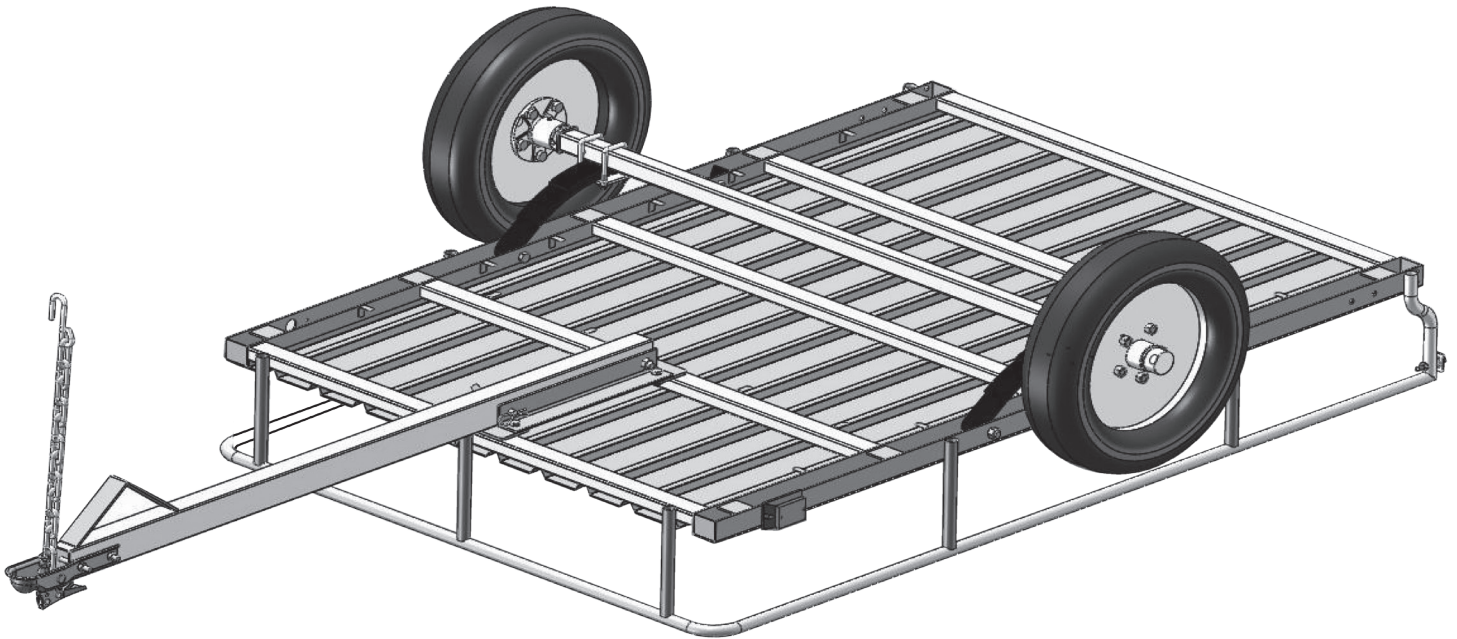


STEP 5

Install the tires. Snug all ten wheel nuts provided.

The wheel nuts will need to be torqued after the trailer is flipped over and the wheel can be better held.

NOTE: *Tapered ends of wheel nuts face inward toward wheel.*



STEP 6

Pre-Wiring

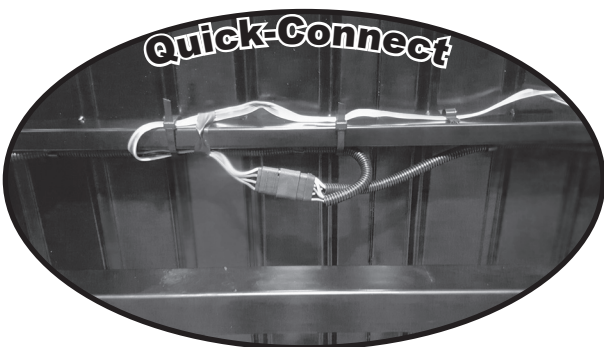
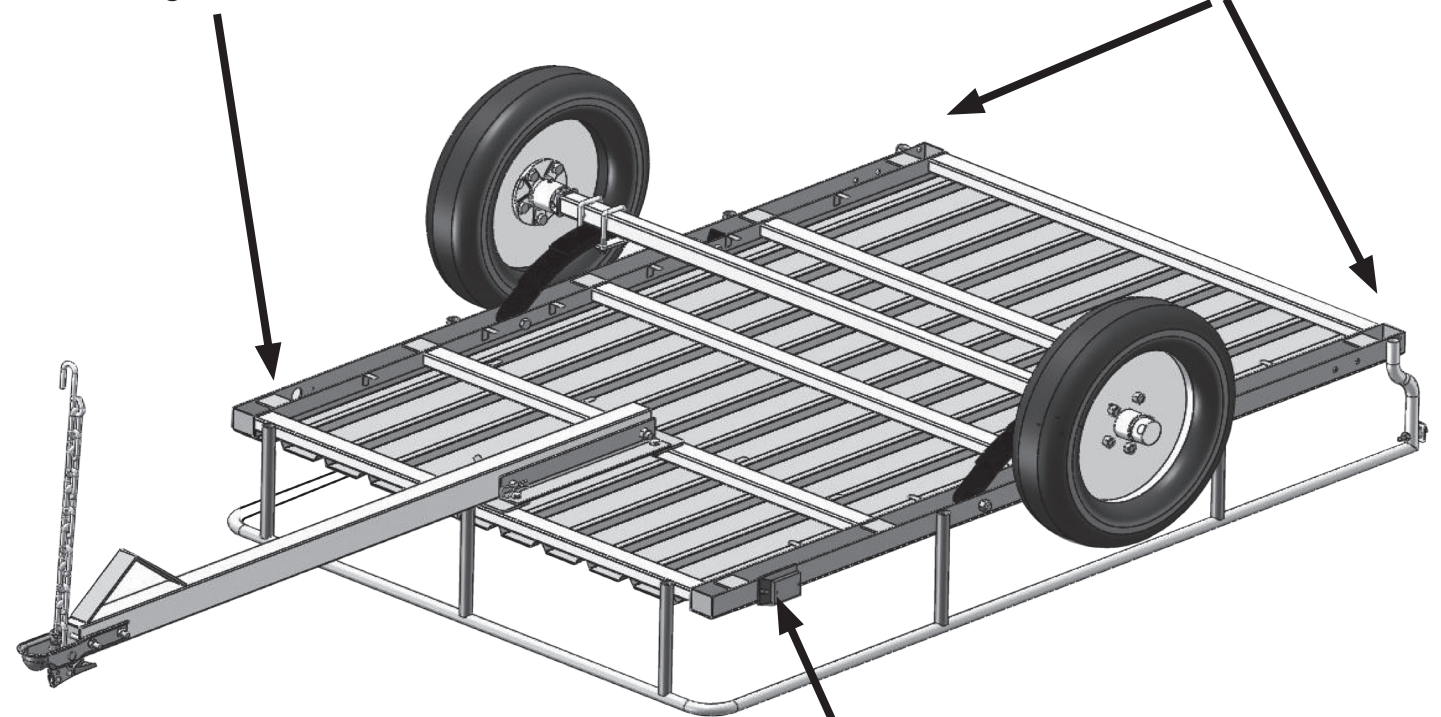
The wire harness are pre-assembled under the frame. The pre-assembled wiring harness is pre-mounted on the trailer and must be connected to the harness that goes to the front of the trailer tongue.

NOTE: Make sure all connections are accessible for light mounting when trailer is flipped over.

Mount the light assemblies onto the side of the rear portion of the frame using the M6 square neck bolts, M6 washers and M6 nylock nuts. Plug the light connector into the wire harness. Mount the side marker onto the side of the front portion of the frame using the self-tapping screws. Plug the light connector into the wire harness.

Marker Light Quick-Connect

Tail Light Quick-Connect



Marker Light Quick-Connect

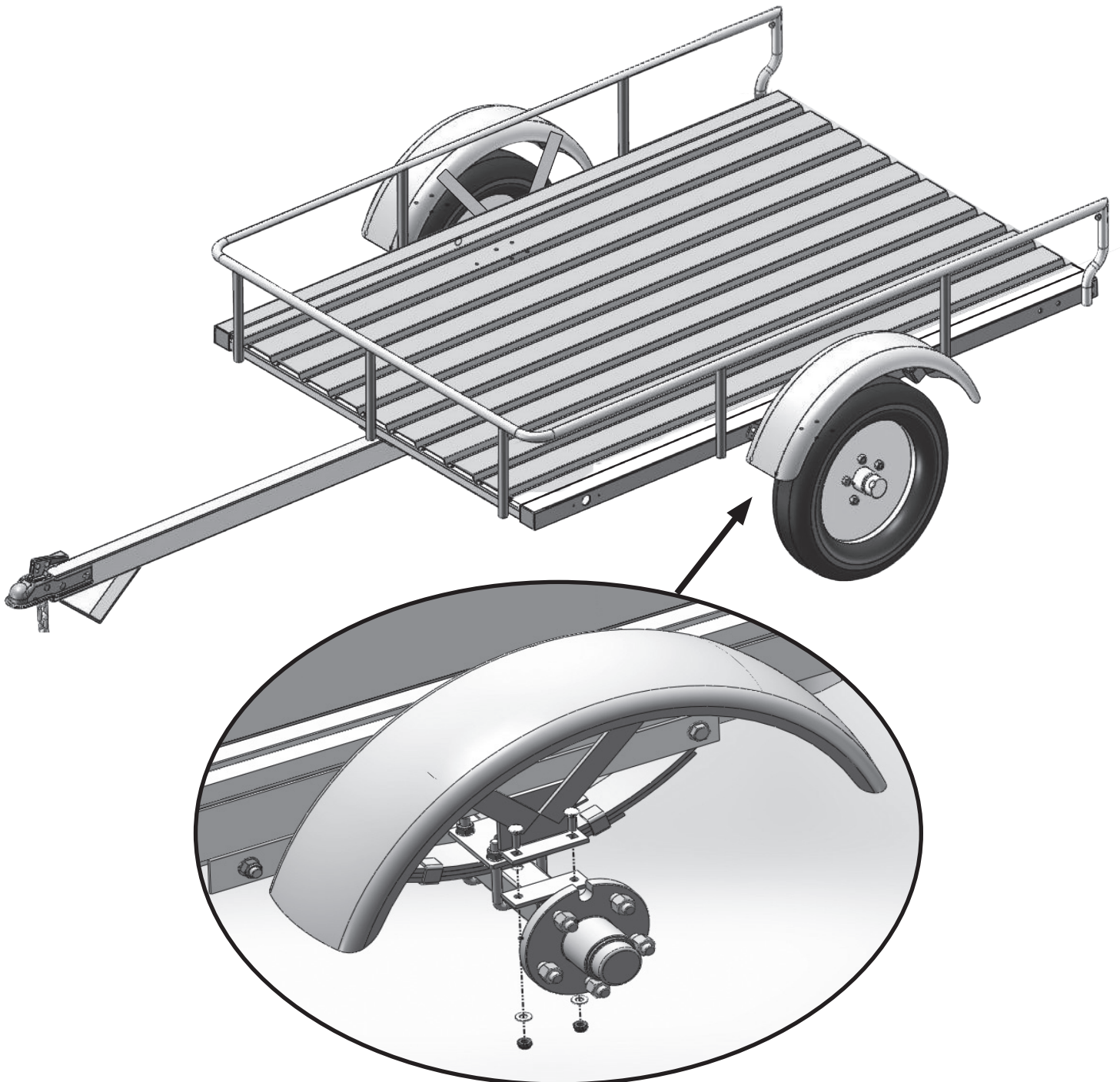
STEP 7

Flip the trailer over and install the fenders



CAUTION! *Rolling the trailer over will require assistance. The trailer at this point weighs an estimated 300 lb. (136.3 kg).*

The fenders now need to be assembled. Secure each fender by fastening the nuts and bolts provided with the fender to the rectangular plate on the axle. You may have to temporarily remove each wheel and support the axle while mounting each fender in turn.

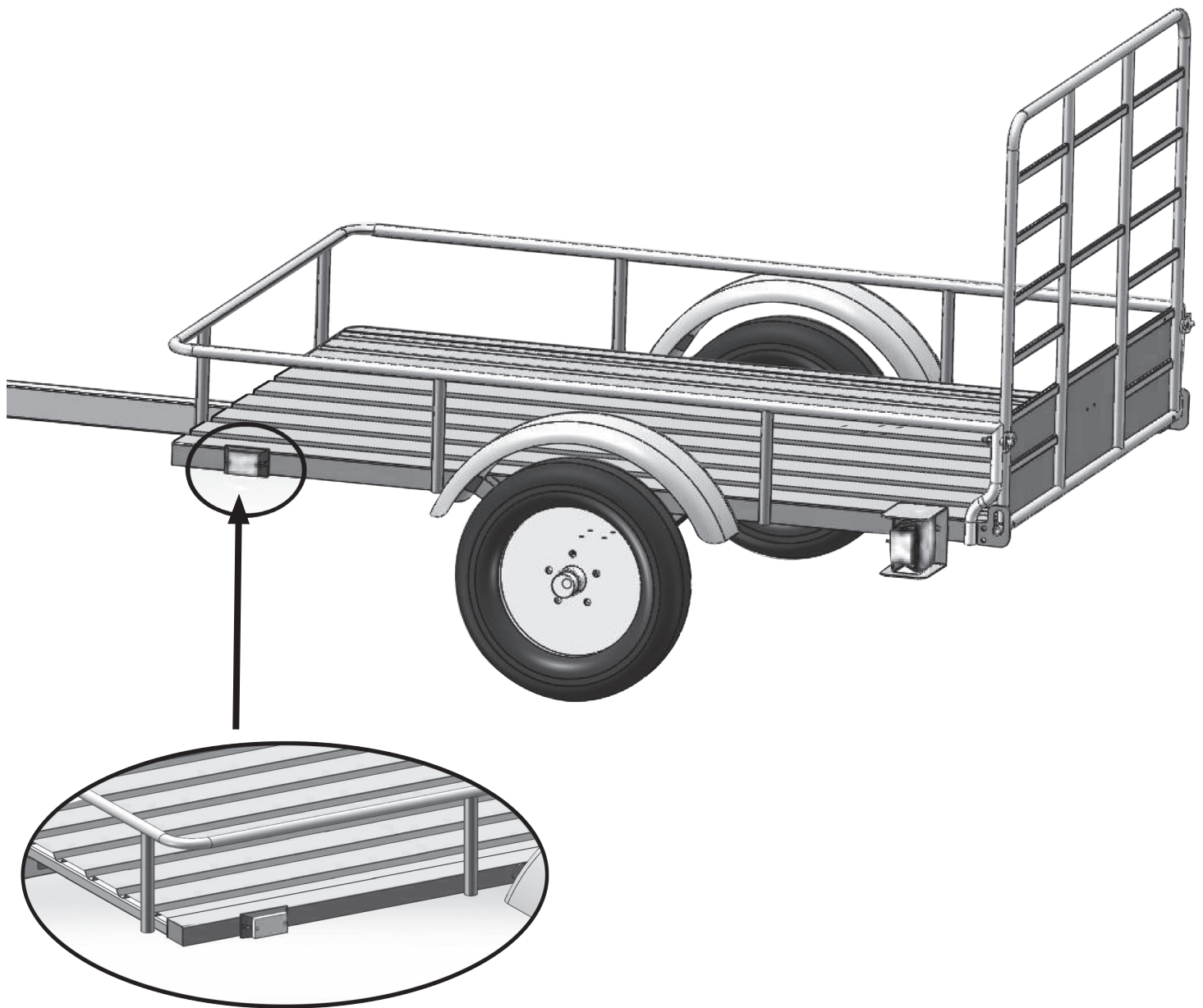


STEP 8

Install lights.

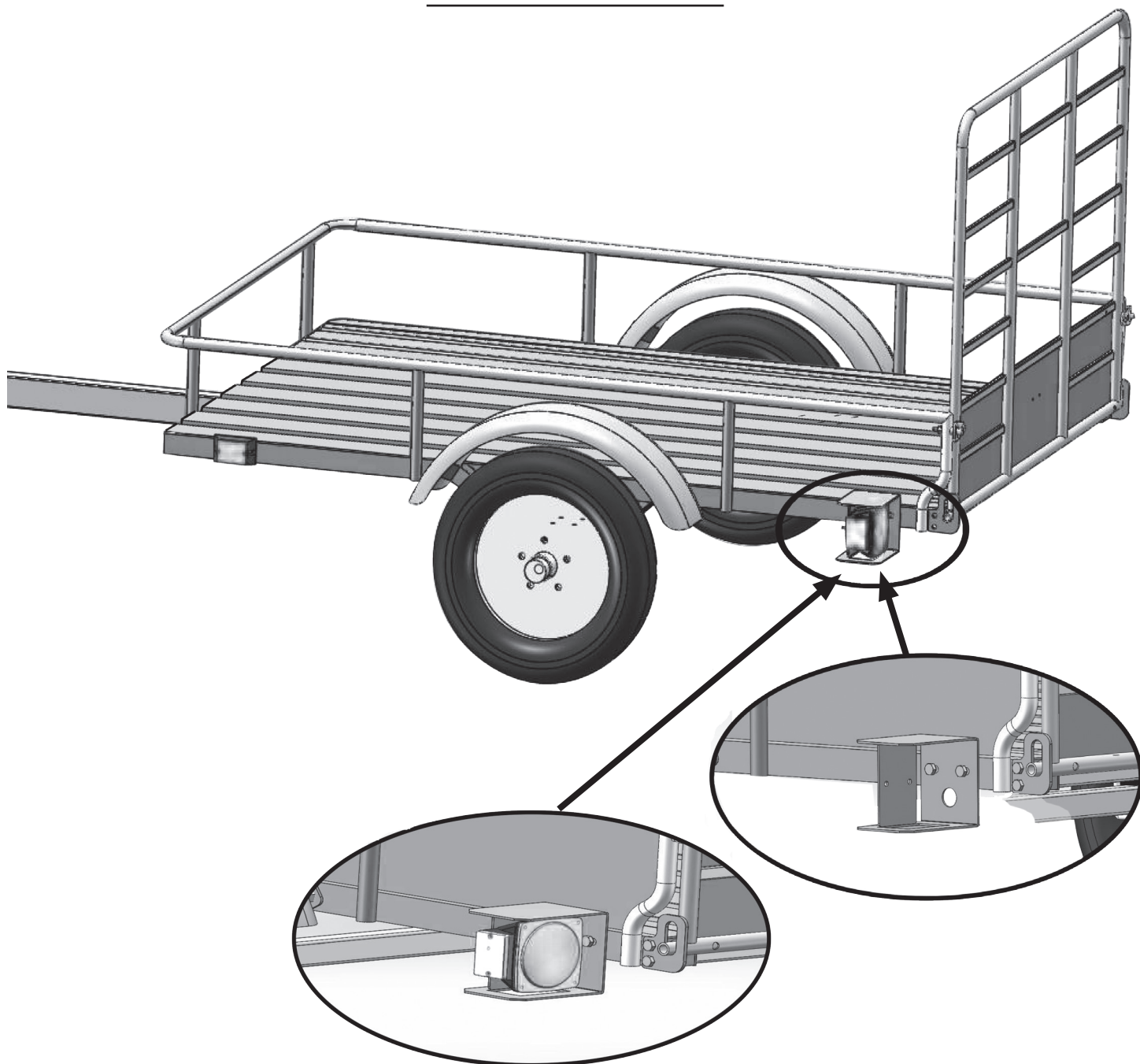
Install the lights and complete the wiring.

Mount the side marker onto the side of the front portion of the frame using the self-tapping screws. Plug the light connector into the wire harness..



NOTE: Use Dielectric grease on each connector for corrosion prevention

STEP 8 (CONTINUED)



Attach rear light brackets and install light assemblies. Connect light assembly to wiring harness

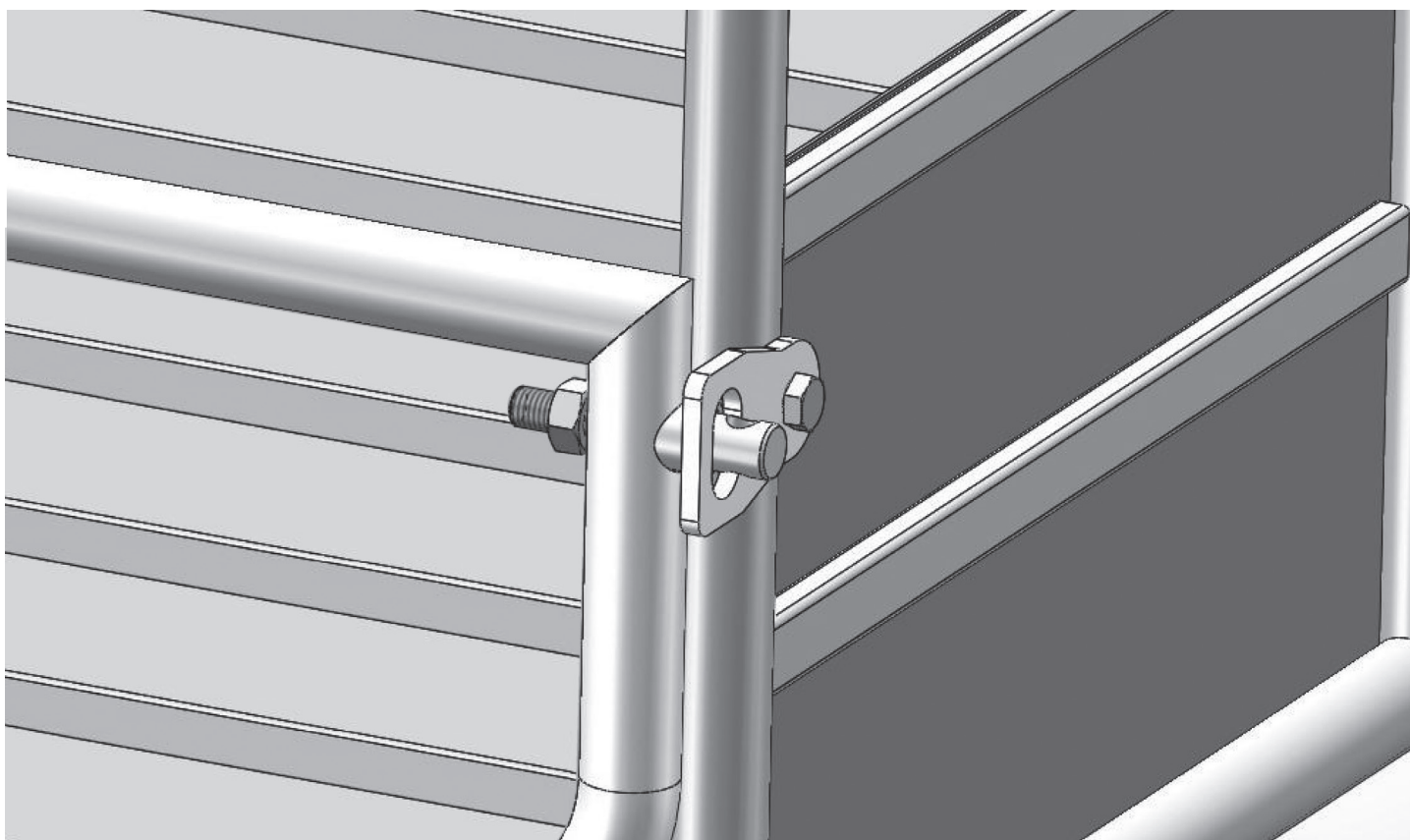
The driver's-side tail light is the one with the clear lenses on the bottom, the licence plate bracket needs to be installed on the driver's side as well at the same time.

Attach all necessary wiring and fasten lights to side of trailer.

NOTE: Use Dielectric grease on each connector for corrosion prevention

STEP 9

Put Gate pin (22) through Bush (23) and Spring (24), then tighten with nut.



FINAL STEPS

IMPORTANT

MUST TORQUE WHEEL NUTS TO 80 lb.

Connect to vehicle to confirm all lights are working correctly.

Inspect trailer once more to make sure all steps were completed properly. Remember to recheck all nuts before use to make sure they are all properly tightened.



CAUTION: *It is the trailer owner's responsibility to periodically check all hardware is secure and fastened properly*



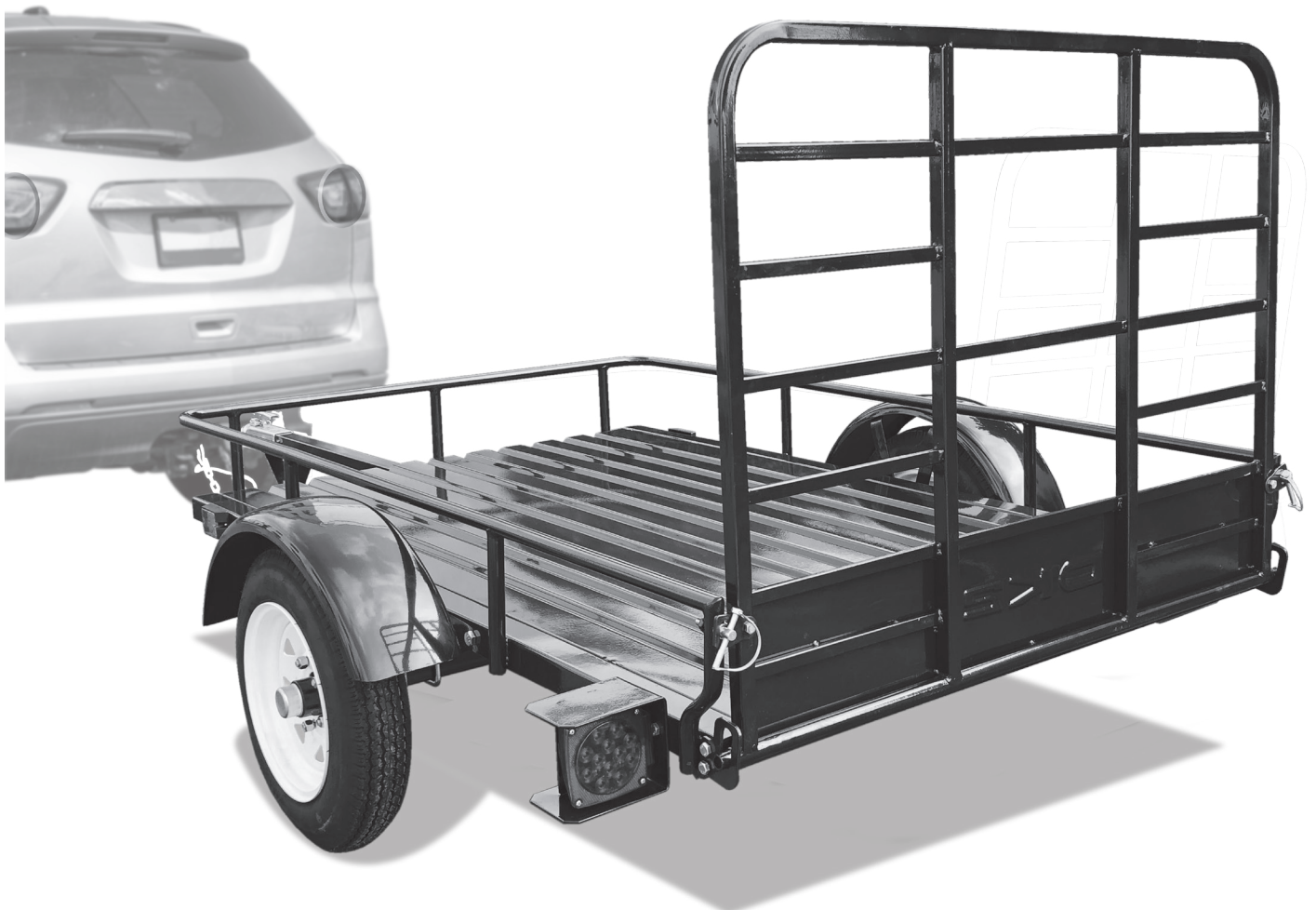
Owner's Manual
Model MMT4X60
1600 GVWR All Steel Trailer

DETAIL K2 INC.

1080 Clay Ave., Unit #2
Burlington Ont. L7L 0A1
1-888-277-6960

Read the owner's manual over carefully before you begin using your trailer.

6 ft.
Utility
Trailer



The following pages contain the assembly diagrams and complete parts list

IMPORTANT SAFETY CHECK LIST

Trailers are generally not used everyday. Your trailer may sit for extended periods of time between uses making it very important to check all components thoroughly before each use. Following these simple instructions will maximize the life of your trailer and help you safely transport your cargo.

DO NOT ABUSE THE TRAILER. Trailer performance is best if you follow the guidelines set forth in this manual. Do not force the trailer to do a job it's not designed for. Know your trailer; learn its applications and limitations.

1. Make sure the towing vehicle as well as the hitch is capable of towing the trailer. Check your vehicle owner's manual for trailering ratings.
2. Inspect the trailer and all of its parts before each use.
3. Check the operation of all lights. Operating lights are mandatory on a trailer.
4. Check to ensure Wheel Bolts are tight. Torque to 80 ft.-lbs. Re-tighten after the first 50 miles or 80 kilometers.
5. Check the tire pressure. Maximum 80 PSI (552 KPA) when carrying the maximum rated load.
6. Re-pack the wheel bearings every 2000 miles or 3200 kilometers or a minimum of once every year.
7. Check that the trailer coupler is fastened securely onto the trailer ball. The trailer ball must be a 2" ball.
8. Make sure the safety chain is attached to the trailer and the towing vehicle.
9. If your trailer has an optional side kit, make sure all bolts and pins are in place before transporting your trailer.
10. Do not exceed the Gross Vehicle Weight Rating (G.V.W.R.) which is shown on the trailer serial / certification label.
11. Balance and secure the load on the trailer. See "Trailer Loading" section in this manual.
12. Lubrication of the coupler, springs and the tilt mechanism should be done periodically to stop corrosion and keep parts moving freely.



DANGER

- **KEEP CHILDREN AWAY.** Be sure children are kept a safe distance from the trailer operating area.
- **NEVER SIT OR RIDE ON THE TRAILER.** Serious injury or death could occur.
- **EXERCISE EXTREME CAUTION WHEN TILTING THE TRAILER.** There are many areas of the trailer where injury can occur if used improperly. The trailer may tilt quickly and unexpectedly during the loading and unloading process. The tilt option should not be used for heavy loads.
- Ramps should be used for loading heavy items.
- **DO NOT** drive with the trailer in the tilted position.
- **DO NOT** load more than one all-terrain vehicle on to this trailer.
- If the trailer is incorrectly attached to the vehicle, it could pull away from the vehicle and fall off.
- Secure trailer to the towing vehicle before transportation. Make sure coupler is locked and the safety chains are attached to the trailer and the vehicle.
- Secure your cargo into the trailer properly and in compliance to local laws.
- When driving do not exceed the speed limit. Braking time can be considerably longer when a vehicle is towing a loaded trailer.
- Any modifications made to the trailer or parts of the trailer will void the trailer warranty and release Detail K2 Inc. of any responsibility for damages, injuries or accidents incurred.

Replacement Lenses

Rear Red Lens (Large)	41237
Rear Red Lens (Small)	41238
Marker Lens (Orange)	41239

- **ONLY USE ORIGINAL EQUIPMENT PARTS AND ACCESSORIES.** Consult **Detail K2 Inc.** for the recommended accessories. The use of improper accessories may cause hazards or injuries.

LIGHTING & WIRING MAINTENANCE

WIRING LEGEND

Symbol	Color	Description	Operation	
G	Green Wire	Passenger Side (Right)	Right Signal	Brake
B	Brown Wire	Running Lights	Tail light marker	Yellow Front Side Markers
Y	Yellow Wire	Driver Side (Left)	Left Signal	Brake
W	White Wire	Ground	Trailer Ground	

- **NOTE:** Brake light goes out on the side that is signaling.
- Lower filament (Brighter light) = Brake & Signal
- Higher Filament (Dimmer Light) = Running Lights

To test vehicle wiring;

You will need a 12v light tester. Attach the wire clamp of the tester to the ground wire on the vehicle plug.

Then touch the tester pin into one of the vehicle plug contacts. Turn on the corresponding vehicle operation i.e. Running lights. This will illuminate the tester light if the vehicle wiring is correct. Follow this same procedure for the signal and brake lights.

To test the Trailer wiring;

Once you have confirmed that the vehicle trailer plug is operating properly, connect the trailer plug to your vehicle.

Proceed to test each of the lights and power leads using your 12v light tester. Follow the wiring legend and diagram to test each corresponding wire for power when trailer light is not operating.

Always be sure to check your brake, running and signal lights before each use. Make sure that all of your connections are solid and that all wiring is in good condition.

Note: Bare, stripped or pinched wire will cause a short in the trailer, which will cause the vehicle fuse to blow. A solid ground is required for your lights to work properly. All contacts must be to bare metal. Light covers should be well maintained and kept clean. Be sure that your lights are always visible, not obstructed by your load.

LOADING YOUR TRAILER

A/B. Distribute the weight evenly.

C. Center the load over the axle, keeping about 10% of the weight on the tongue. (If vehicle wheels are not on a crossbeam you will need to add wood to the floor to support each axle).

D. Center the load from side to side.

E. Always secure your cargo into the trailer properly and in compliance to local laws.



CAUTION

Do not build your trailer load higher than 3'. Higher loading will affect trailer handling due to increased wind resistance. This may cause violent movements, accidents and serious injury.

TRAILER CAPACITY:

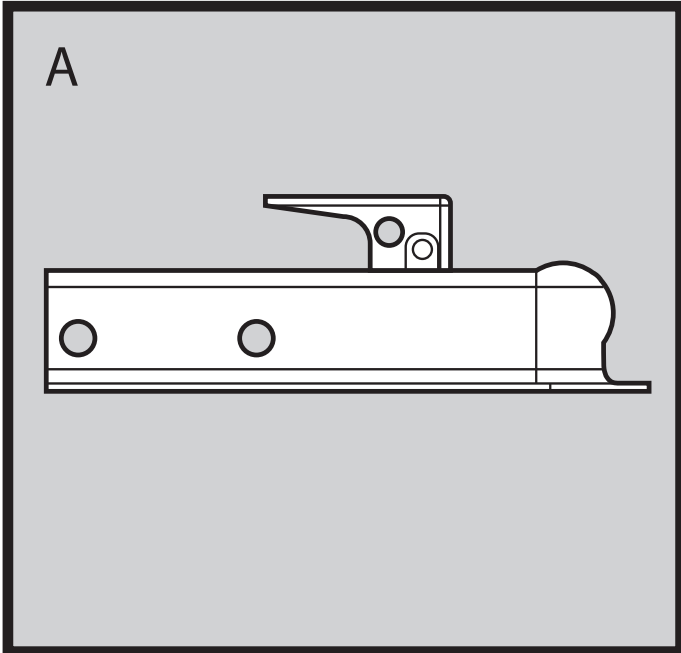
- Never overload your trailer. Each trailer has a maximum payload that should not be exceeded. Overloading your trailer could cause serious damage to your trailer as well as the towing vehicle. Please refer to your trailer serial / certification label located on the frame of the trailer for capacity details.
- The Gross Vehicle Weight Rating (G.V.W.R.) is:
The Weight of the Trailer + The Maximum payload the trailer can carry. The trailer weight and the payload must not exceed this (G.V.W.R.) weight rating.
- Be sure that any load carried in your trailer does not extend beyond the frame of your trailer. Never place loads on one side only.

Tongue Weight

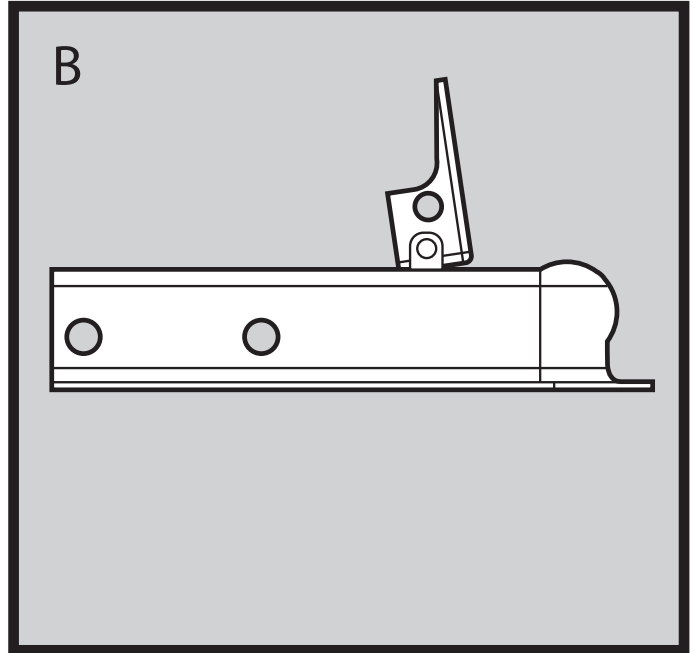
- The tongue weight is 10% of the load (this does not include the weight of the trailer).
- The load is divided so that 90% of the load is over the axle and 10% is over the tongue.

TRAILER COUPLER

A = Locked



B = Unlocked



To adjust coupler to ball;

Set coupler and tongue on to the 2" trailer ball on your vehicle.

Raise the locking lever, push up on channel lock and turn nut to tighten or loosen the coupler.

Proper adjustment is obtained when coupler is as tight as possible on the ball and locking lever can still be opened and closed.

Before towing your trailer be sure to check the capacity of your trailer hitch on your vehicle (never exceed this or your trailers capacity). The Detail K2 Trailer is equipped with a 2" coupler and must be used with a 2" trailer ball. Make sure that the trailer ball is completely engaged in the coupler ball

WHEEL BEARING & HUB ASSEMBLY

NOTE: Bearings should be re-packed every 2000 miles or 3200 kilometers.

NO PARTS ARE MORE CRITICAL FOR THE DEPENDABLE PERFORMANCE OF YOUR TRAILER THAN THE BEARINGS, RACES, AND SEALS. TO ENSURE THAT YOUR TRAILER PERFORMS RELIABLY, YOU SHOULD INSPECT THE BEARINGS, RACES, AND SEALS AND REPACK THE BEARINGS EVERY 12 MONTHS OR 2000 mi. (3200 km). THIS IS EASILY FOUND ON THE INTERNET BY SEARCHING "TRAILER WHEEL BEARINGS MAINTENANCE"

Item #	Description	Qty.
1	1" Axle Bearing Kit	1
1A	Bearing Cup (press fit)	2
1B	1" Bearing Cone	2
1C	Grease Seal	1
1D	2" Axle Dust Cap	1

Item #	Description	Qty.
1E	1" Axle Castle Nut	1
1F	3/16" Cotter Pin	1
2	Hub (bare) with bearing race	1
3	Axle c/w hubs and bearings	1

Part # _____ Axle Bearing Kit includes all parts 1A to 1E.

Note: Part 1A Bearing Race is press-fit into the Hub and may not need to be replaced when changing bearings.

Re-packing Wheel Bearings

1. Loosen wheel bolts (Do not remove!).
2. Support trailer so the wheel is off the ground. (jack stand – floor jack – block)
3. Remove nuts and wheel.
4. Disassemble hub
5. Clean hub and pack bearings with wheel bearing grease.
6. Re-install bearings, nut and cotter pin.

CAUTION: *DO NOT over tighten nut. The hub must turn freely and without play.*

7. Re-attach bolts and wheel. (Torque to 80 lbs.)

TRAILER LICENSING

The Detail K2 kit trailer MUST BE CERTIFIED after assembly by a local garage which is approved and holds a license to provide safety certificates for roadway vehicles.

In order to register your trailer with the Department of Motor Vehicles or Ministry of Transportation and obtain a license plate you will need to have either the NVIS form in Canada or the Manufacturers Certificate of Origin in the US filled out and signed by the dealer transferring ownership to you. This form is found in your trailer manual package. Take this form along with the bill of sale (cash register receipt) and safety certificate to your local Department of Motor Vehicles or Ministry of Transportation licensing office. Once you pay the appropriate fees you will be issued a title or registration and license plate to be attached to the trailer.

US Residents

To Contact National Highway Traffic Safety Administration

If you believe that your vehicle has a defect, which could cause an accident, personal injury or death, immediately inform the National Highway Traffic Safety Administration (NHTSA) in addition to notifying Detail K2

If NHTSA receives similar complaints, or finds safety defects existing in a group of vehicles it may open an investigation or order a recall and remedy campaign. However, NHTSA cannot become involved in individual problems between you, your dealer, or Detail K2.

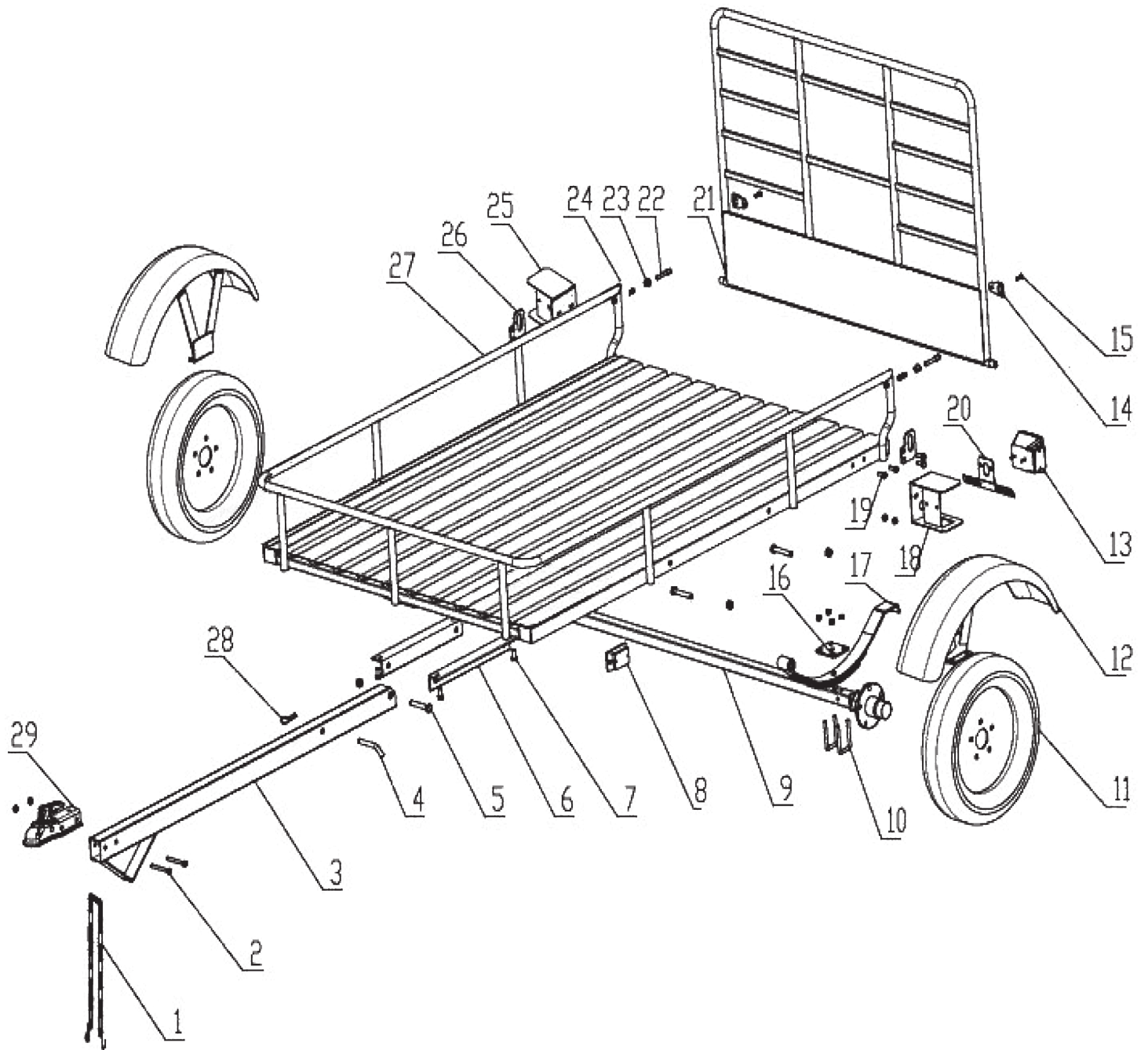
To contact NHTSA, you may either call the Auto Safety Hotline toll-free at 1-800-424-9393 (or 366-0123 in Washington, DC area) or write to: NHTSA, U.S. Department of Transportation, Washington, DC 20590.

PARTS LIST

ENGLISH

Part No.	Description	Qty.
4X60-1	Safety chain	1
4X60-2	M10 x 80 hexagon bolt	2
4X60-3	Drawbar	1
4X60-4	Hitch pin	1
4X60-5	M14 x 85 hexagon bolt	5
4X60-6	L bracket	2
4X60-7	M12 x 25 hexagon bolt	4
4X60-8	Front directional light	2
4X60-9	Axle	1
4X60-10	U-bolt	4
4X60-11	Wheel	2
4X60-12	Fender	2
4X60-13	Left rear lamp	1
4X60-14	Clip	2
4X60-15	M8 x 20 hexagon bolt	2
4X60-16	Fish plate	2
4X60-17	3-leaf spring	2
4X60-18	Left light holder	1
4X60-19	M10 x 25 hexagon bolt	8
4X60-20	License plate bar	1
4X60-21	Rear gate	1
4X60-22	Gate pin	2
4X60-23	Bush	2
4X60-24	Spring	2
4X60-25	Right light holder	1
4X60-26	Hinge socket	2
4X60-27	Chassis	1
4X60-28	R clip	1
4X60-29	Coupler	1

SCHEMATIC DRAWING





**Guide d'assemblage de la remorque
Modèle MMT4X60
Remorque 1600 GVWR tout acier**

DETAIL K2 INC.

1080 Clay Ave., Unit #2
Burlington Ont. L7L 0A1
1-888-277-6960

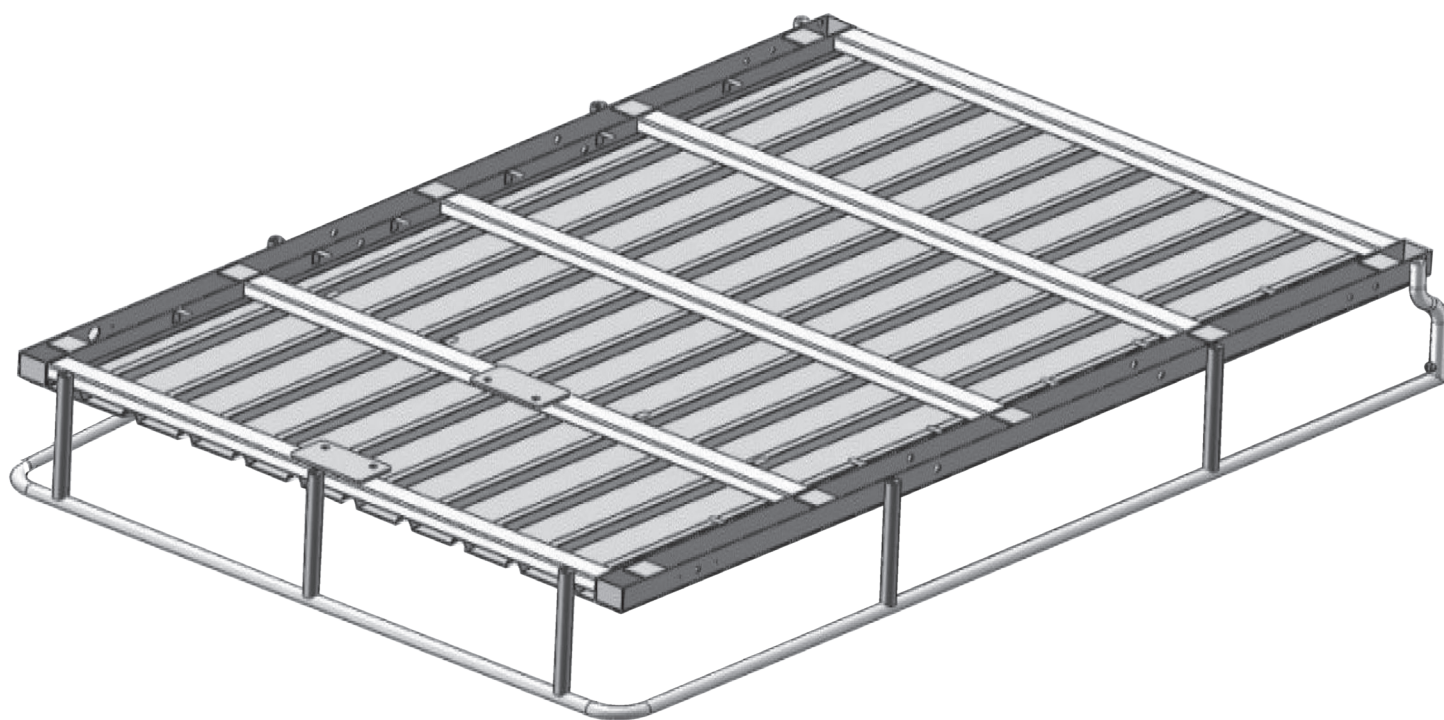
**6 pi (182 cm)
Remorque
Utilitaire**

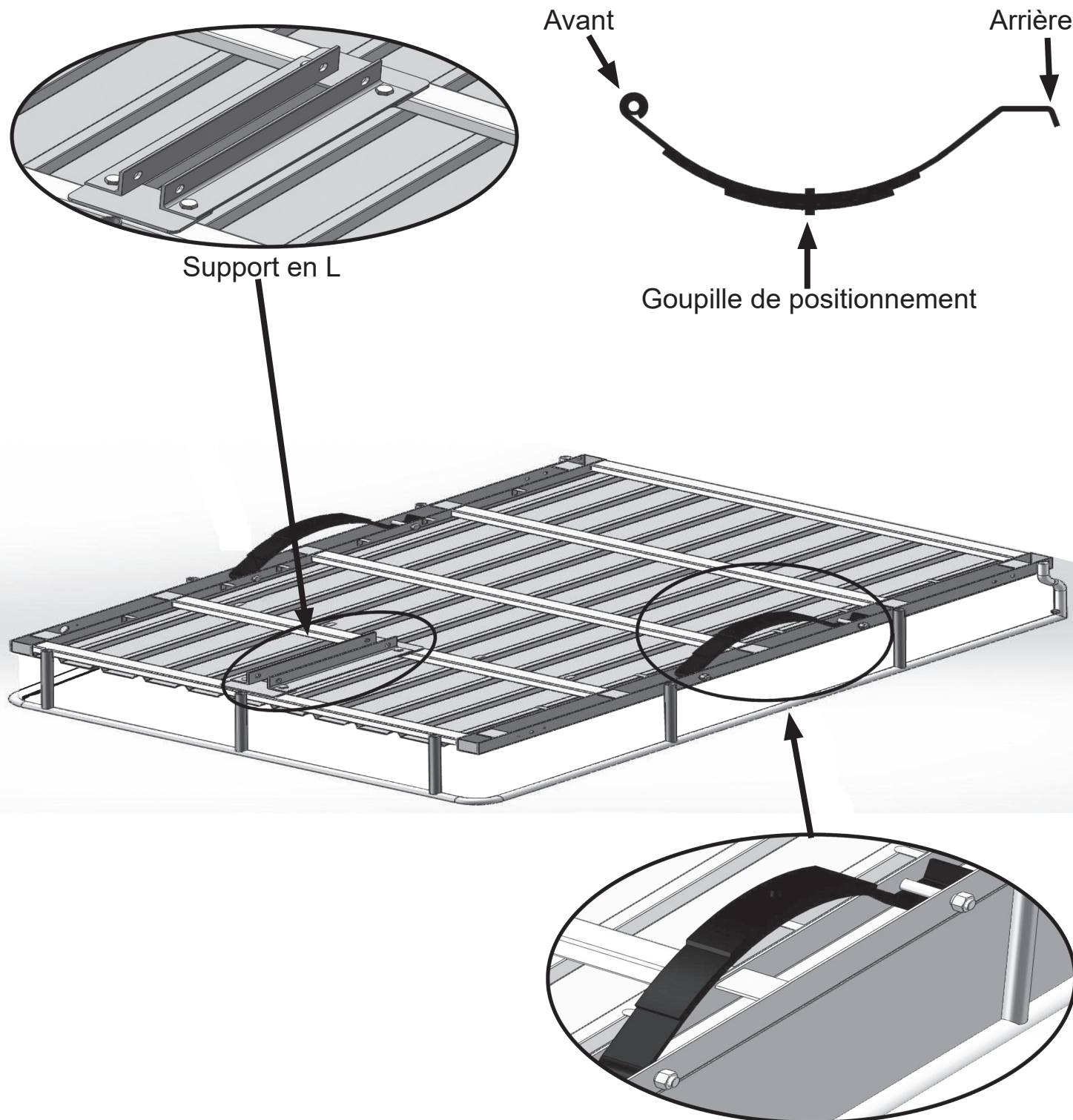


ÉTAPE 1

Ouvrez et déballez tous les articles. Laissez-vous beaucoup d'espace de travail car vous en aurez besoin de retourner la remorque plus tard dans l'assemblage.

Le châssis de la remorque est expédié à l'envers, tel qu'illustré. Laissez le châssis de la remorque sur le carton et l'utilisez comme votre surface de travail.



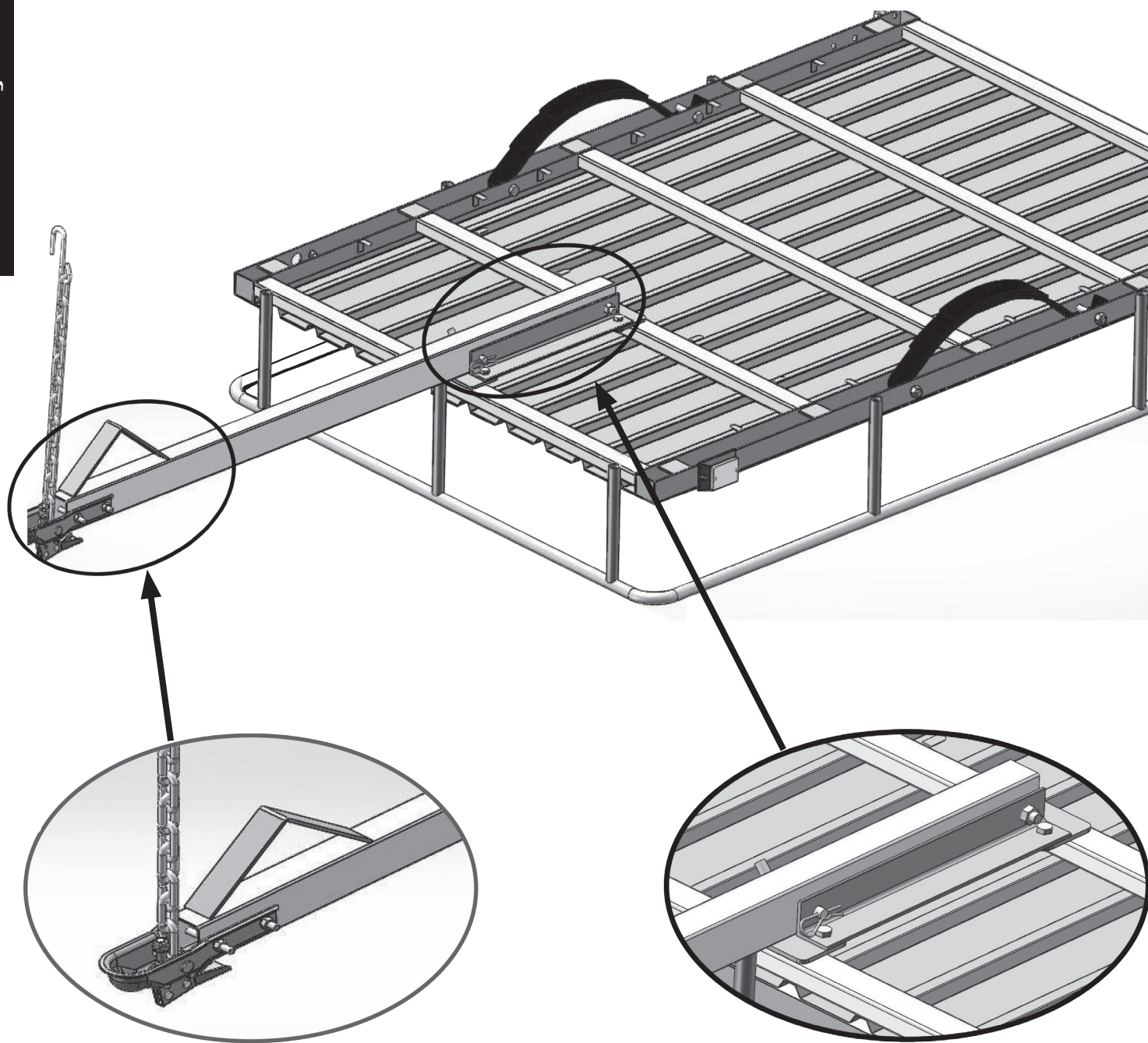
ÉTAPE 2

Placez les ressorts tel qu'illustré, les vis des ressorts vers l'avant de la remorque, insérez les deux boulons M14 x 85 mm de l'intérieur à travers les ressorts vers l'extérieur, puis serrez jusqu'à ce que le ressort soit sécurisé.

Ne pas trop serrer car il pourrait créer un affaissement du support du ressort.

Placez le support (2 pcs) L entre la traverse avant et la traverse suivante tel qu'illustré et utilisez les boulons M12 x 25 mm pour fixer au support L au châssis..

ÉTAPE 3



Placez la pole entre les deux supports L en utilisant des boulons M14 x 85 mm.

Installer le coupleur et les chaînes de sécurité à l'aide des boulons M10 x 80 mm et des écrous M10 inclus.

Passez le dernier chaînon de la chaîne de sécurité dans le boulon avant du coupleur lors de l'installation du coupleur. Serrer les deux boulons

ÉTAPE 4

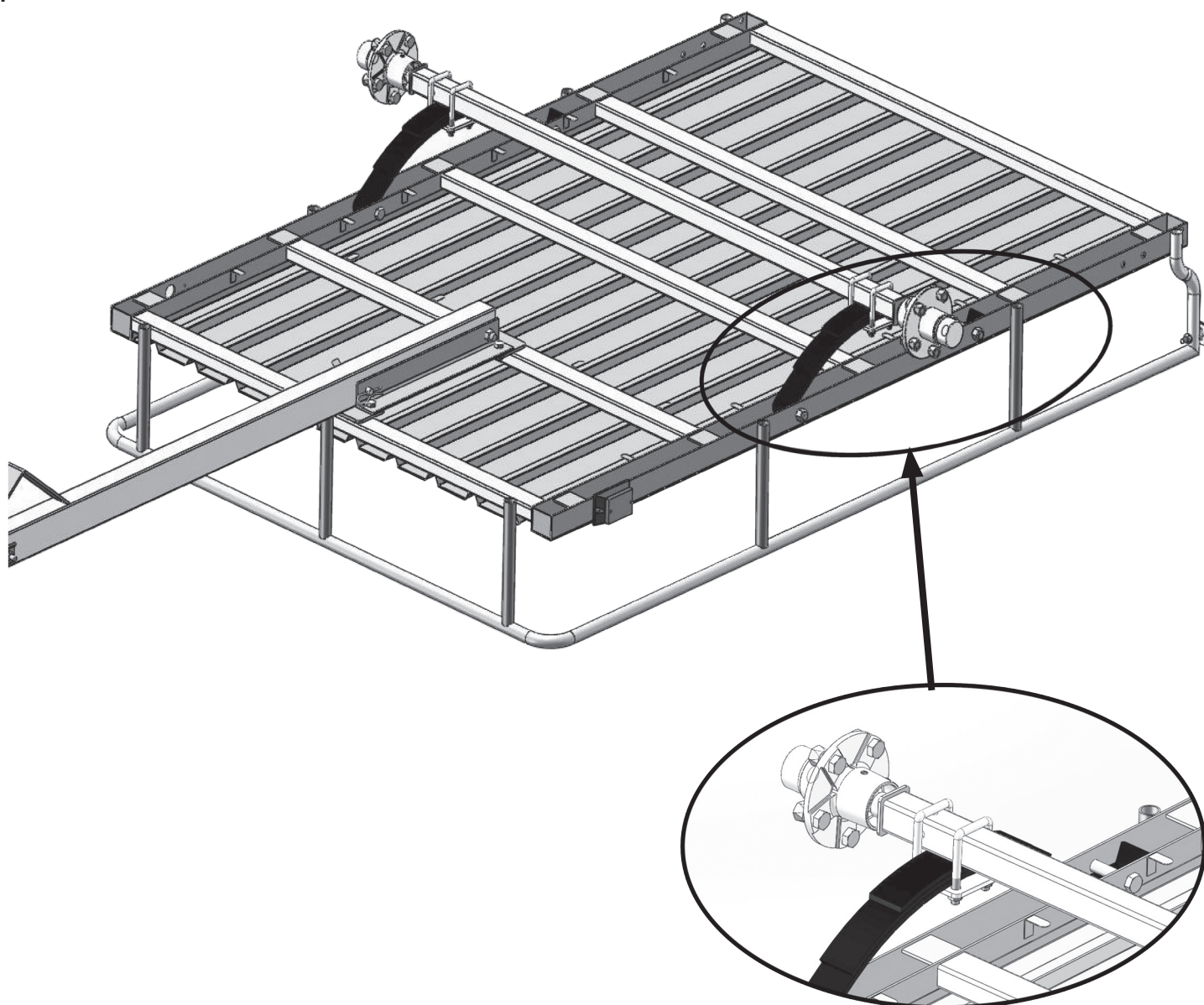
Placez l'essieu sur le dessus du ressort. Aligner sur l'essieu avec des protubérances sur les ressorts.

Sur chaque extrémité de l'essieu, placer les plaques de retenu sous le ressort et insérer les boulons en U M12 x 90 vers le bas sur l'essieu et à travers le trou de montage dans la plaque de retenu sous le ressort. Ajuster la plaque pour permettre aux trous de s'aligner.

Fixez l'essieu avec les rondelles M12 et les écrous M12 Nylock.

REMARQUE: *Insérer le point surélevé (protubérance) du ressort dans la partie concave de l'essieu.*

Assurez-vous que l'essieu est dans la bonne position, et bien aligné.

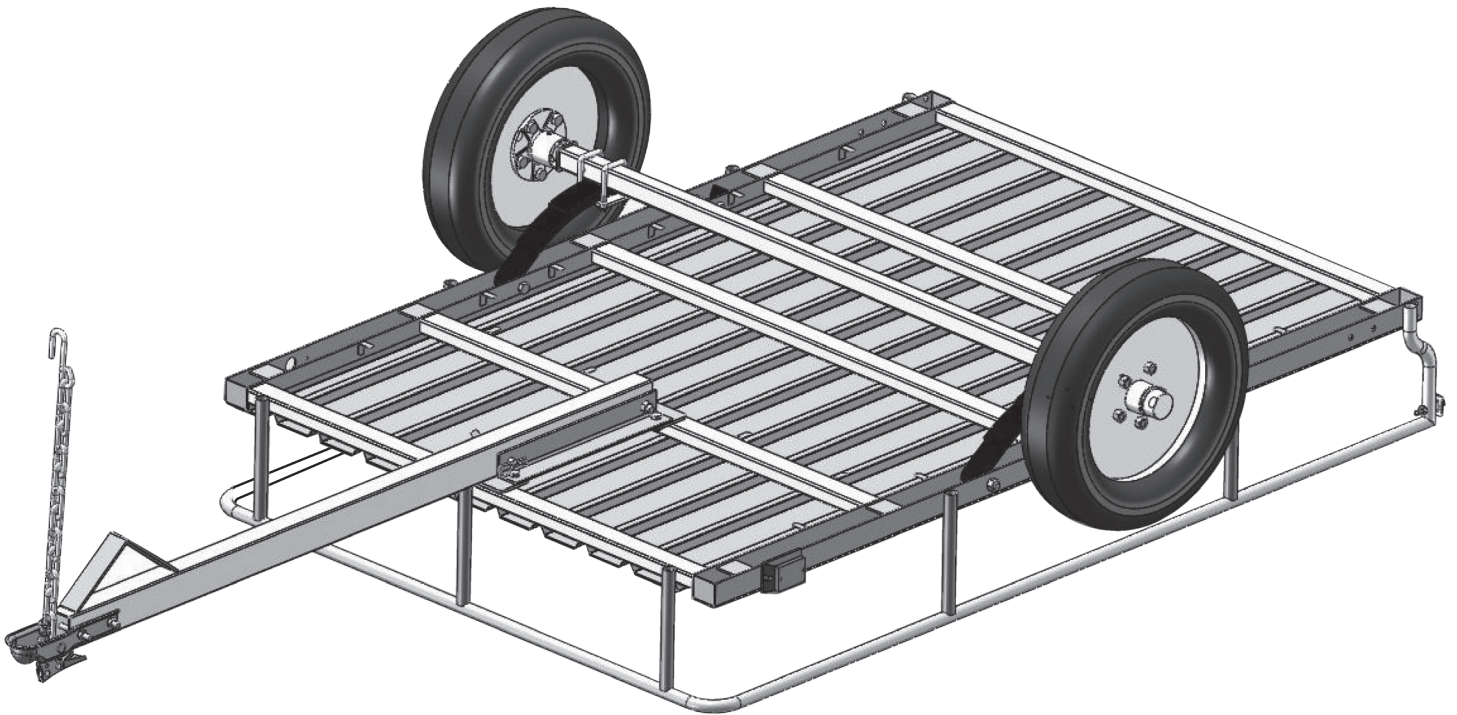


ÉTAPE 5

Installez les pneus. Vissez les dix écrous fournis pour les roues.

Les écrous de roue devront être serrés quand la remorque sera replacée sur ses roues.

REMARQUE: *Les extrémités effilées des écrous doivent faire face à l'intérieur vers la jante.*



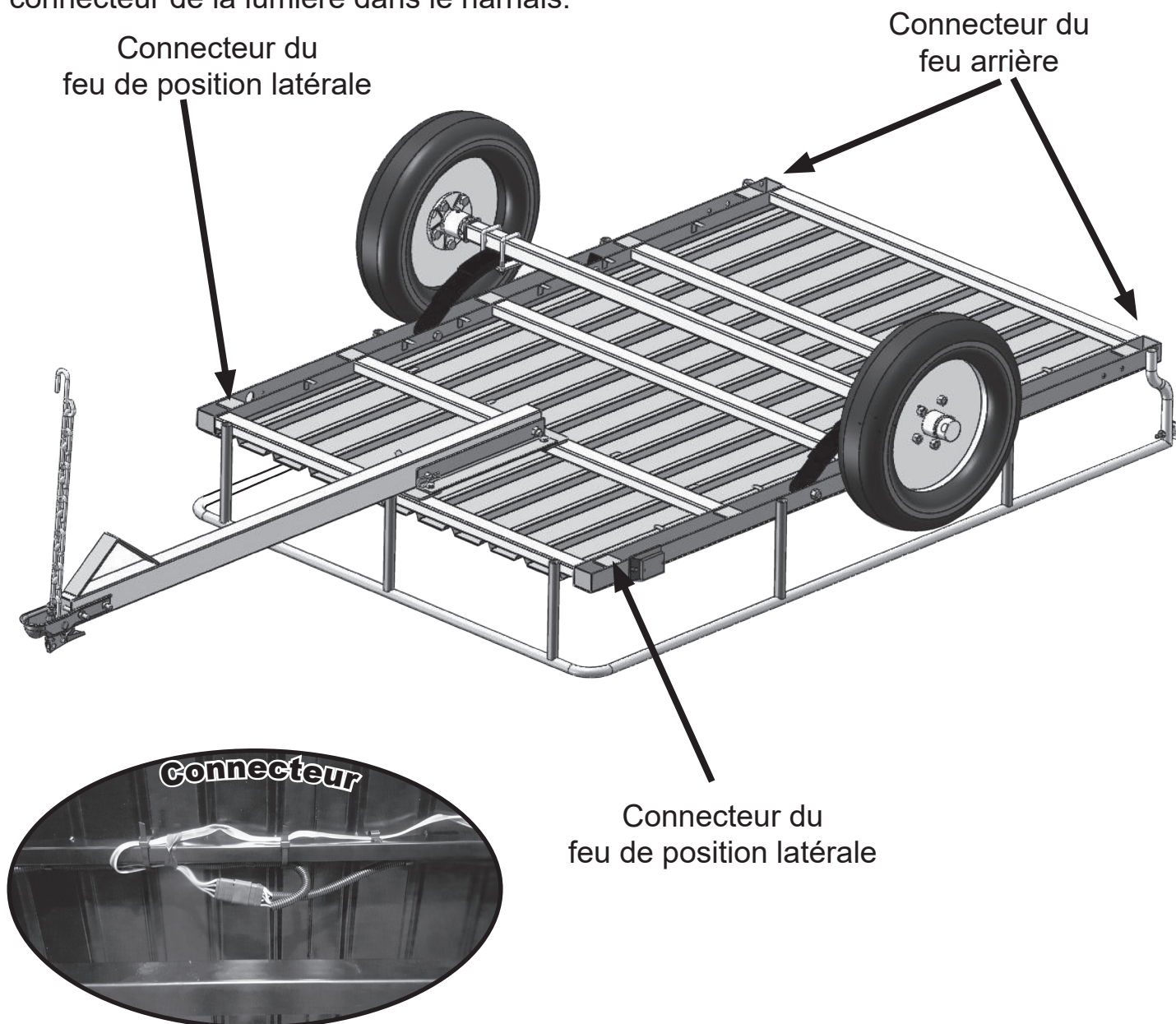
ÉTAPE 6

Pré-câblage

Les harnais de câblage sont pré-assemblés sous le châssis. Le câblage pré-assemblé est pré-monté sur la remorque et doit être relié au harnais qui va à l'avant de la pole de la remorque.

REMARQUE: Assurez-vous que toutes les connexions sont accessibles pour le montage des lumières lorsque remorque sera retourné sur ses roues.

Monter les feux lumineux sur le côté de la partie arrière du châssis en utilisant les boulons à épaulement carré M6, rondelles M6 et écrous autobloquante de type nylock M6. Branchez le connecteur de la lumière dans le harnais. Installer les feux de position latérale sur le côté avant du châssis en utilisant les vis auto-taraudeuses. Branchez le connecteur de la lumière dans le harnais.



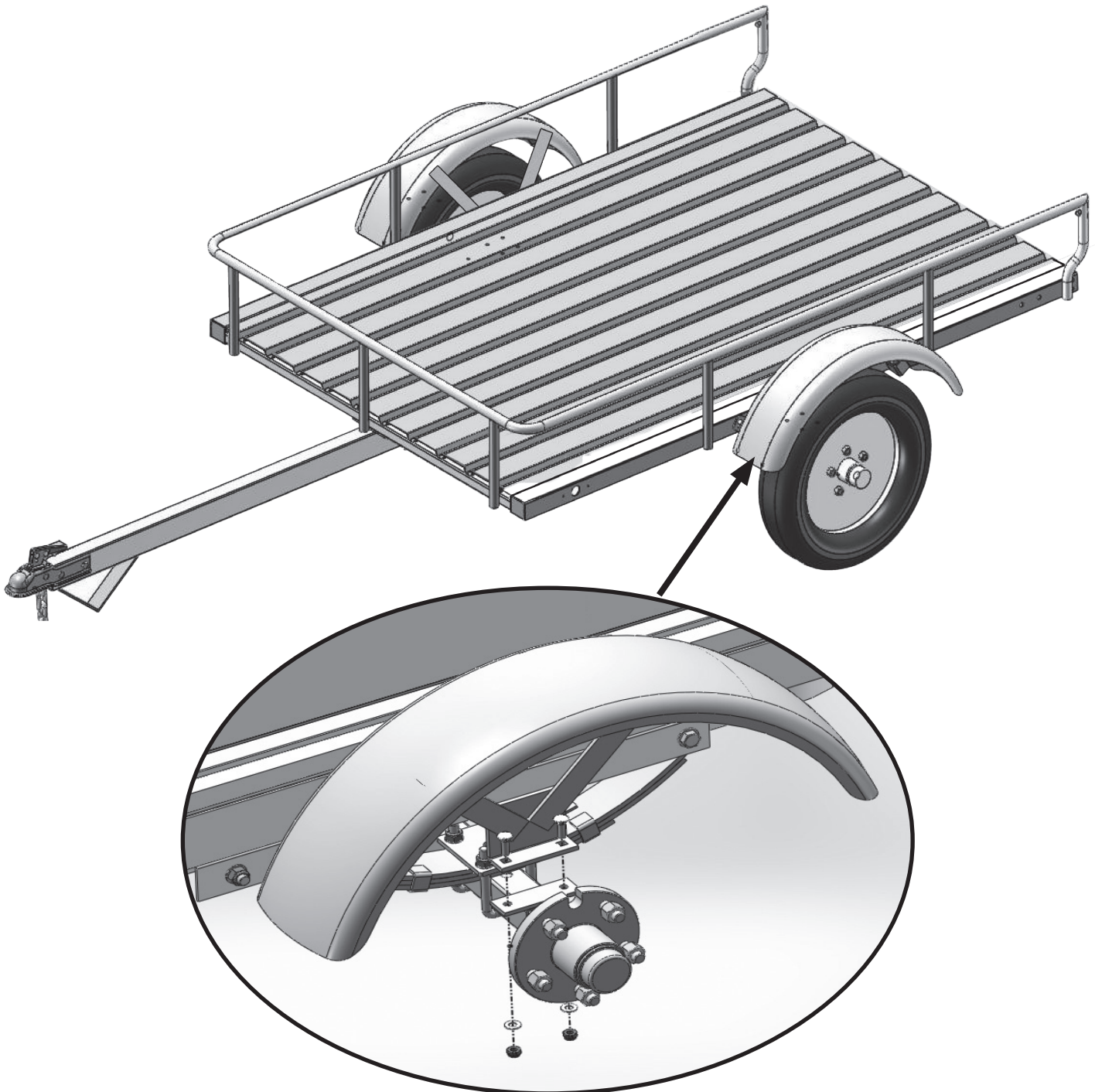
ÉTAPE 7

Retournez la remorque et installer les ailes



ATTENTION : *Retourné la remorque vous demandera de l'aide. La remorque pèse maintenant approximativement 300 lb (136.3 kg)*

Les ailes doivent maintenant être assemblées. Fixer les ailes en utilisant les écrous et boulons inclus à la plaque rectangulaire sur l'essieu. Il est possible que vous deviez retirer temporairement la roue, assurez vous de soutenir l'essieu pendant le montage dans chacune des ailes.

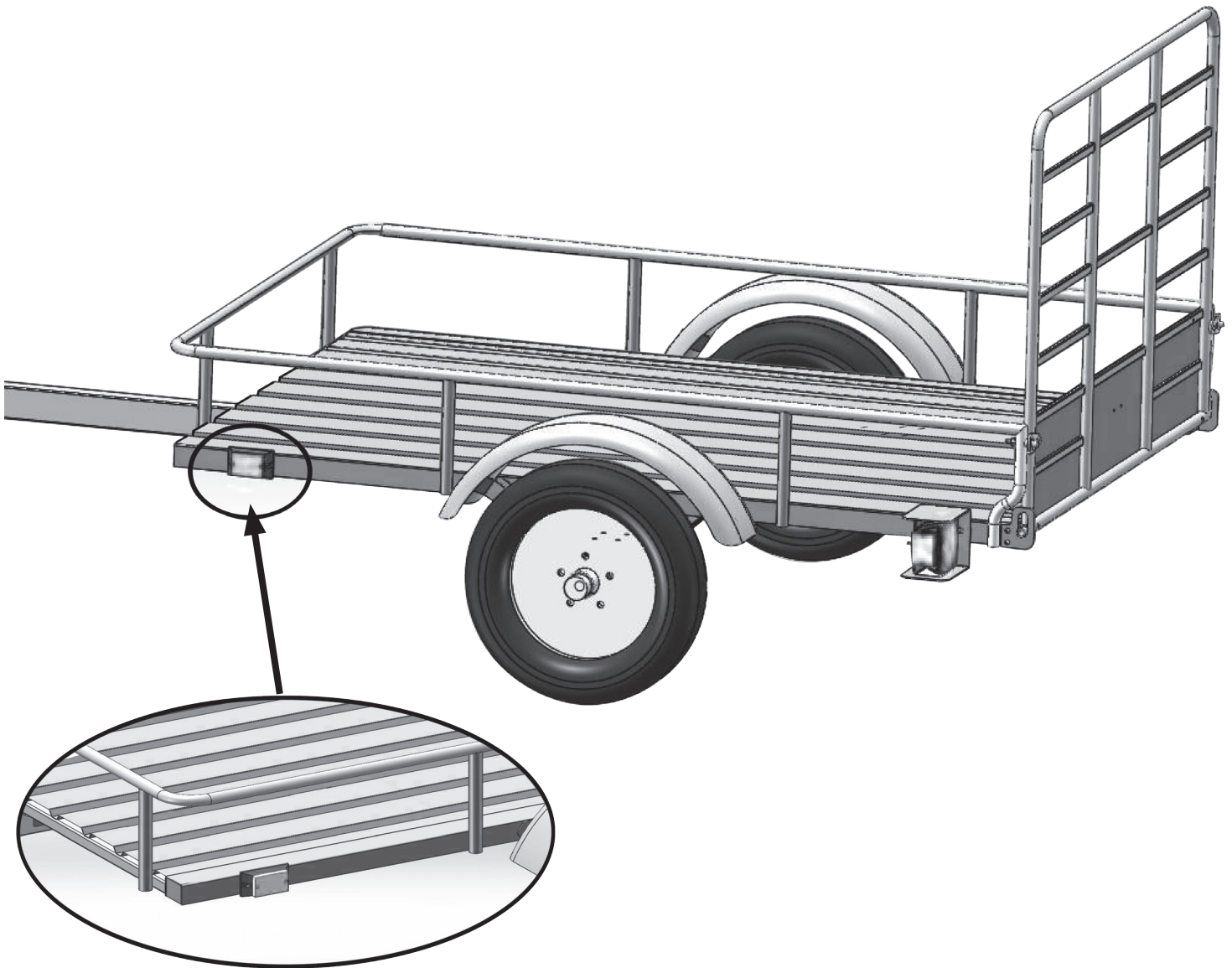


ÉTAPE 8

Installez les lumières

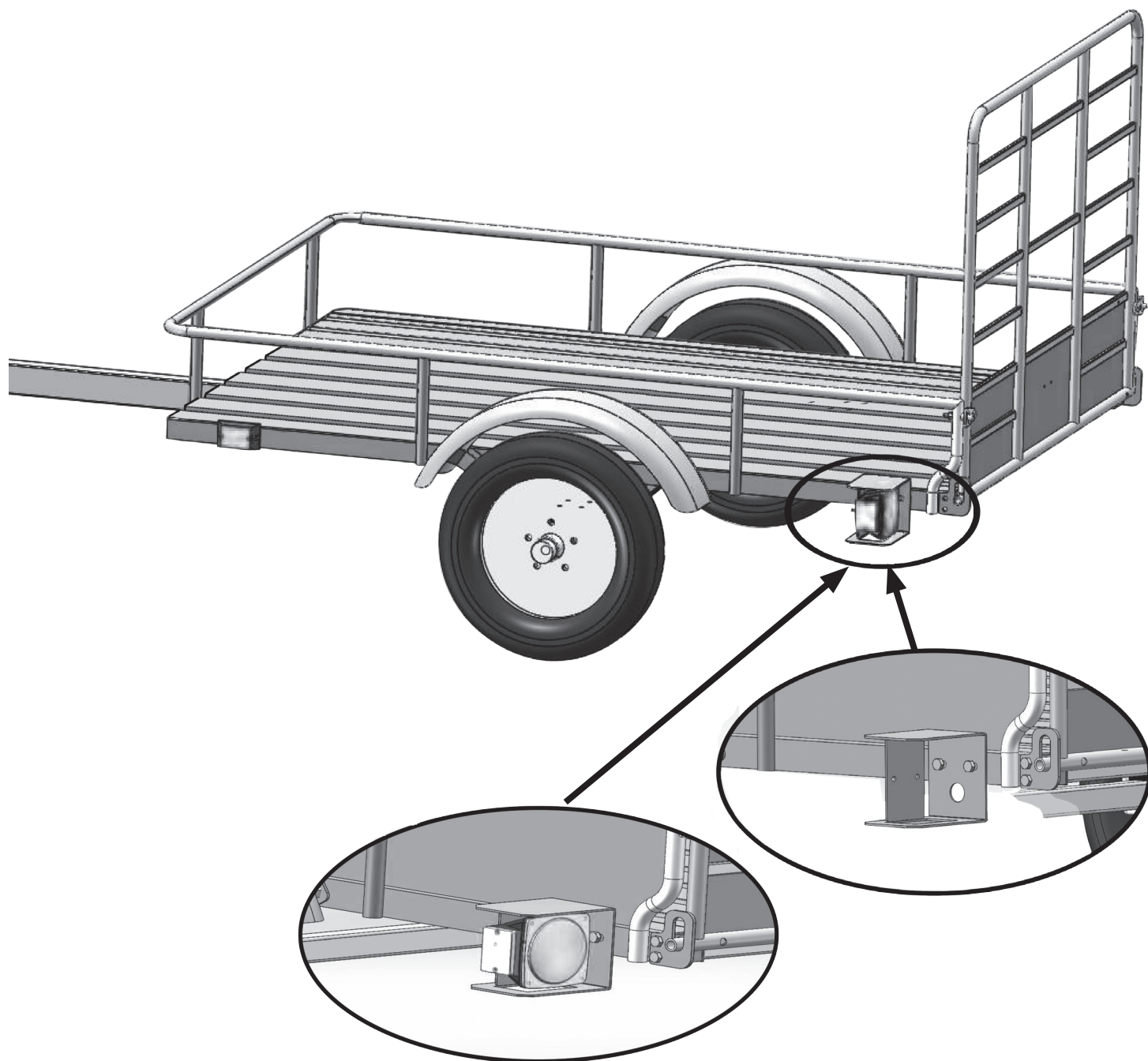
Installation des lumières et compléter le câblage.

Monter le feu de position latéral sur le côté de la partie avant du cadre à l'aide des vis à tarauder. Branchez le connecteur de lumière dans le harnais de câblage.



REMARQUE : *Utiliser de la graisse diélectrique sur chaque connecteur pour prévenir la corrosion.*

ÉTAPE 8 (SUITE)



Fixez les supports des feux arrière et installez les lumières. Raccorder le feu dans le harnais de câblage.

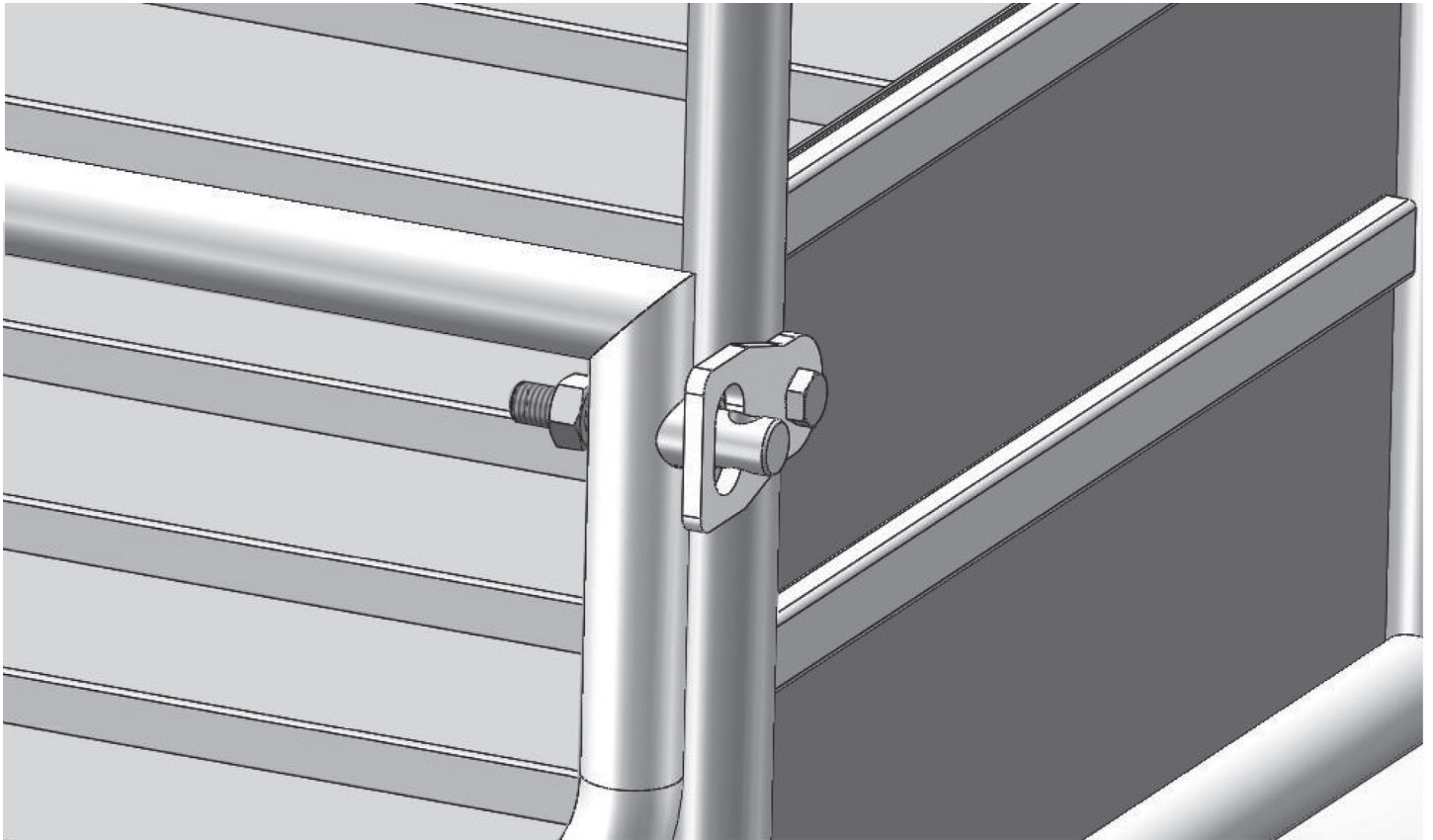
La lumière côté conducteur est celle avec les lentilles transparentes sur le fond, le support de la plaque d'immatriculation doit être installé du côté du conducteur au moment du montage.

Attacher tout le câblage nécessaire et fixer les lumières sur le côté de la remorque.

REMARQUE : *Utiliser de la graisse diélectrique sur chaque connecteur pour prévenir la corrosion.*

ÉTAPE 9

Mettre la goupille de porte (22) dans la bague (23) et le ressort (24) et serrer avec l'écrou.



ÉTAPE FINAL

IMPORTANT

**COUPLE DES ÉCROUS DE ROUE DOIT ETRE de
80 pieds-livres**

**Branchez-vous au véhicule pour confirmer que toutes les
lumières fonctionnent correctement.**

**Inspectez la remorque une fois de plus pour vous assurer que
toutes les étapes ont été effectuées. correctement. N'oubliez pas
de vérifier de nouveau que tous les écrous sont tous bien serrés
avant l'utilisation**



ATTENTION : *Il est de la responsabilité du propriétaire de la remorque de vérifier périodiquement si tous le matériel est sécurisé et fixé correctement.*



**Manuel du propriétaire de la remorque
Modèle MMT4X60
Remorque 1600 GVWR tout acier**

DETAIL K2 INC.

1080 Clay Ave., Unit #2
Burlington Ont. L7L 0A1
1-888-277-6960

Lisez ce manuel attentivement avant de commencer l'utilisation de la remorque.

**6 pi
remorque
utilitaire**



LISTE DE CONTRÔLE DE SÉCURITÉ IMPORTANTE

Les remorques ne sont généralement pas utilisées tous les jours. Votre remorque peut ne pas servir durant des périodes de temps prolongées, pour chacune des utilisations il est très important de vérifier toutes les composantes avant l'utilisation. Ces instructions, simples vous permettrons de maximiser la durée de vie de votre remorque et vous aiderons à transporter en toute sécurité vos cargaisons.

NE PAS ABUSER LA REMORQUE. La performance de la remorque est la meilleure si vous suivez les directives énoncées dans ce manuel. Ne forcez pas la remorque à faire un travail pour lequel elle n'est pas conçue. Connaissez votre remorque; Apprenez ses applications et ses limitations

1. Assurez-vous que le véhicule de remorquage ainsi que l'attelage sont capable de tracter la remorque. Consultez le manuel du propriétaire du véhicule pour les cotes de remorquage.
2. Inspectez la remorque et toutes ses pièces avant chaque utilisation.
3. Vérifiez le fonctionnement de tous les voyants lumineux. Les feux de fonctionnement sont obligatoires sur une remorque.
4. Assurez-vous que les boulons de roue sont serrés. À un couple de 80 pieds-livres. Resserrer après les 50 premiers milles ou 80 kilomètres.
5. Vérifier la pression des pneus. Maximum 80 PSI (552 KPA) lors du transport de la charge nominale maximale.
6. Assurez-vous que les roulements des roues sont vérifier et graisser tous les 2000 milles ou 3200 kilomètres ou au minimum une fois par an.
7. Vérifier que le coupleur de remorque soit solidement fixé sur la boule de remorque. La boule de remorque doit être une boule de 2".
8. Assurez-vous que la chaîne de sécurité est fixée à la remorque et au véhicule.
9. Si votre remorque a un ensemble latéral en option, assurez-vous que tous les boulons et les goupilles sont en place avant d'utiliser votre remorque.
10. Ne dépassez pas le poids nominal brut du véhicule (G.V.W.R.) qui est indiqué sur l'étiquette de série / certification de la remorque.
11. Équilibrez et fixez la charge sur la remorque. Reportez-vous à la section "Chargement de la remorque" de ce manuel.
12. Le lubrification du coupleur, des ressorts et du mécanisme d'inclinaison doit être effectuée périodiquement pour prévenir la corrosion et s'assurer que toutes les pièces n'ont pas d'usure prématurée



DANGER

- **ÉLOIGNER LES ENFANTS.** Assurez-vous que les enfants sont maintenus à une distance sécuritaire de la zone d'utilisation de la remorque.
- **NE JAMAIS S'ASSOIR OU MONTER SUR LA REMORQUE EN ROUTE.** Des blessures graves ou la mort pourraient se produire.
- **EXTREME ATTENTION LORS DE L'INCLINAISON DE LA REMORQUE.** Il existe de nombreuses possibilités que des blessures puissent se produire en cas d'utilisation incorrecte de la remorque. La remorque peut basculer rapidement et de façon inattendue pendant le processus de chargement et de déchargement. L'option d'inclinaison ne doit pas être utilisée pour les charges lourdes.
- **DES RAMPES DOIVENT ÊTRE UTILISÉES** pour charger des objets lourds.
- **NE PAS** conduire avec la remorque en position inclinée.
- **NE PAS** charger plus d'un véhicule tout-terrain sur cette remorque.
- **SI LA REMORQUE EST MAL FIXÉE AU VÉHICULE,** elle pourrait s'éloigner du véhicule.
- **FIXER LA REMORQUE AU VÉHICULE AVANT LE TRANSPORT.** Assurez-vous que le coupleur est verrouillé et que les chaînes de sécurité sont attachées à la remorque et au véhicule.
- **SÉCURISER VOTRE CARGAISON** dans la remorque correctement et en conformité avec les lois locales.
- **LORSQUE VOUS CONDUISEZ, NE DÉPASSEZ PAS LA LIMITE DE VITESSE.** Le temps de freinage peut être considérablement plus long lorsque le véhicule traîne une remorque chargée.
- **TOUTE MODIFICATION APPORTÉE À LA REMORQUE** ou à certaines parties de la remorque annulera la garantie et dégage Detail K2 Inc. de toutes responsabilités pour dommages, blessures ou accidents encourus.

Remplacement des feux lumineux

Lentille rouge arrière (grand)	41237
Lentille rouge arrière (petit)	41238
Lentille de positionnement (orange)	41239

- **UTILISER SEULEMENT DES PIÈCES ET ACCESSOIRES D'ÉQUIPEMENT ORIGINAL.** Consulter Détail K2 Inc. pour les accessoires. L'utilisation d'accessoires inappropriés peut causer des risques ou des blessures.

ENTRETIEN D'ÉCLAIRAGE ET DE CÂBLAGE

DIAGRAMME DU CÂBLAGE

Symbole	Couleur	Description	Opération	
G	Fil vert	Côté Passager (droite)	Signal côté droite	Frein
B	Fil brun	Feu de route	Feux	Feux latéraux jaunes
Y	Fil jaune	Côté conducteur (gauche)	Signal coté gauche	Frein
W	Fil blanc	Mise en terre	Mise en terre de la remorque	

- **REMARQUE:** Le voyant de frein s'éteint du côté de la signalisation.
- Filament inférieur (lumière plus lumineuse) = Frein et signal
- Filament supérieur (lumière de gradateur) = Feux de route

Pour tester le câblage du véhicule;

Vous aurez besoin d'un testeur de lumière 12v. Fixez le fil avec la pince du testeur au fil de terre sur la fiche du véhicule. Touchez ensuite la tige du testeur dans l'un des contacts du connecteur du véhicule. Allumer les lumières correspondantes du véhicule. Si le témoin du testeur s'allume le câblage du véhicule est correct. Suivre la même procédure pour les feux de signalisation et les lumières de freins

Pour tester le câblage de la remorque;

Une fois que vous avez confirmé que la fiche de remorque du véhicule fonctionne correctement, branchez la fiche de remorque à votre véhicule.

Procédez à la vérification de chacune des lumières et des fils d'alimentation en utilisant votre testeur de lumière 12v. Suivez la légende de câblage et le diagramme pour les vérifier. Chaque fil correspondant pour l'alimentation lorsque le feu de la remorque ne fonctionne pas.

Veillez toujours vérifier vos feux de freinage, de fonctionnement et de signal avant chaque utilisation. Assurez-vous que toutes vos connexions soient solides et que tout le câblage soit en bon état.

NOTEZ les fils à nu ou pincer, ils causeront des court circuits sur la remorque ce qui fera sauter les fusibles du véhicule. Une solide mise à terre est requise pour le bon fonctionnement des lumières. Tous les fils doivent faire contact de métal à métal. Les lentilles des feux doivent être propres et bien entretenues. Assurez vous que vos lumières sont toujours bien visibles et non obstruées par votre charge.

CHARGEMENT DE VOTRE REMORQUE

- Distribuer le poids uniformément.
- Distribuer le poids uniformément, on se répète mais c'est important!
- Centrez la charge sur l'axe, en gardant environ 10% du poids sur la pole. (Si les roues du véhicule ne sont pas vis-à-vis une traverse vous aurez besoin d'ajouter du bois au sol pour soutenir chaque essieu).
- Centrez la charge d'un côté à l'autre.
- Toujours sécuriser votre cargaison dans la remorque correctement et en conformité avec les lois locales.



ATTENTION

Ne pas charger votre remorque plus haut que 3 pieds. Un chargement plus élevé affectera la tenue de route de la remorque en raison de la résistance accrue au vent.

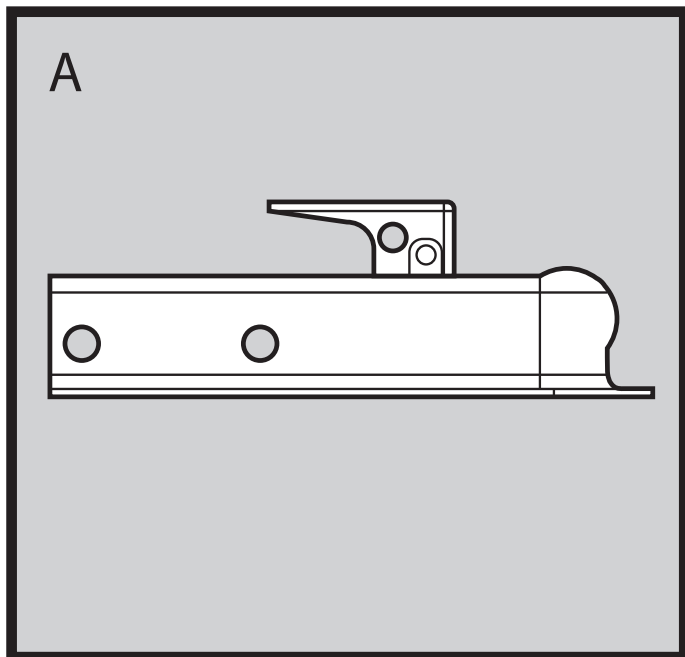
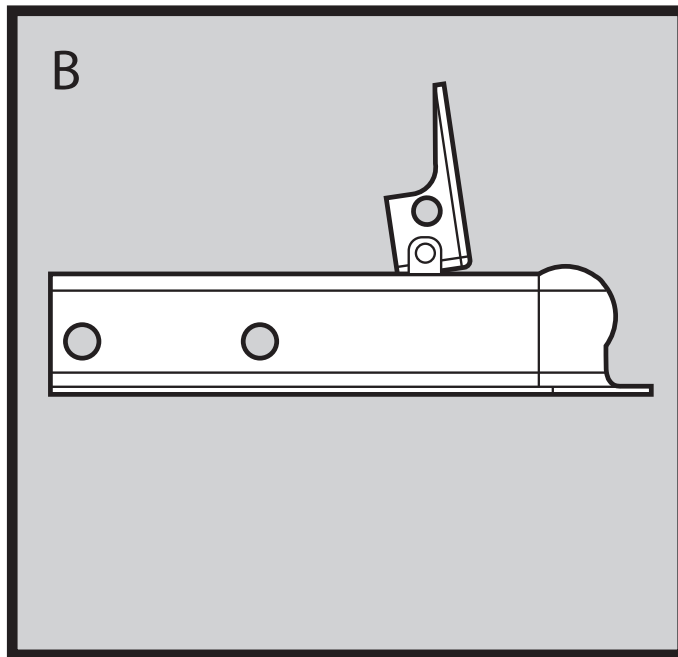
Cela peut provoquer des mouvements violents, des accidents et des blessures graves.

CAPACITÉ de la REMORQUE:

- Ne surchargez jamais votre remorque. Chaque remorque a une charge utile maximale qui ne doit pas être dépassée. Surcharge de votre remorque pourrait causer des dommages sérieux à votre remorque ainsi que le véhicule. Veuillez vous reporter à l'étiquette de série / certification de votre remorque située sur le cadre de la remorque pour les détails de capacité.
- Le poids nominal brut du véhicule (G.V.W.R.) est : Le poids de la remorque + La charge utile maximale que la remorque peut transporter. Le poids de la remorque et la charge utile ne doivent pas excéder le (G.V.W.R.).
- Assurez-vous que toute charge transportée dans votre remorque ne dépasse pas du châssis de votre remorque. Ne placez jamais de charges sur un côté seulement.

Poids à la pole

- Le poids à la pole devrait être de 10% de la charge (cela ne comprend pas le poids de la remorque).
- La charge est divisée de sorte que 90% de la charge est sur l'essieu et 10% est sur la pole.

ATTACHE DE REMORQUE**A = Barré****B = Non-barré****Pour ajuster le coupleur à la boule**

- Placez la pole et le coupleur sur la boule de remorque de 2 po de votre véhicule.
- Soulever le levier de verrouillage, tirer vers le haut sur le verrou de canal et tourner l'écrou pour serrer ou desserrer le coupleur.
- Un réglage correct est obtenu lorsque le coupleur est le plus serré possible sur la boule et que le levier de verrouillage peut encore être ouvert et fermé.
- **AVANT DE TRACTER VOTRE REMORQUE, ASSUREZ-VOUS DE VÉRIFIER LA CAPACITÉ DE VOTRE ATTELAGE DE REMORQUE SUR VOTRE VÉHICULE (NE DÉPASSEZ JAMAIS CE VOTRE CAPACITÉ DE REMORQUES).** La remorque Detail K2 est équipée d'un coupleur de 2 po. et doit être utilisée avec une boule de remorque de 2 po.
- Assurez-vous que la boule de l'attachement du véhicule est complètement engagée dans l'emplacement de coupleur de la remorque.

ROULEMENT À BILLES ET ENSEMBLE DE MOYEU

REMARQUE: Les roulements doivent être vérifiés et re-graissés tous les 2000 milles ou 3200 kilomètres.

AUCUNE PIÈCE N'EST PLUS CRITIQUE POUR LA PERFORMANCE FIABLE DE VOTRE REMORQUE QUE LES ROULEMENTS À BILLES, LE JEU ET LES JOINTS. POUR S'ASSURER QUE VOTRE REMORQUE FONCTIONNE DE FAÇON FIABLE, VOUS DEVEZ INSPECTER LES ROULEMENTS, LE JEU ET LES JOINTS ET REMBALLER SOIT RE-GRAISSER LES ROULEMENTS TOUTS LES 12 MOIS OU 2000 MILES (3200 km) CECI EST FACILEMENT TROUVÉ SUR INTERNET EN RECHERCHANT "TRAILER WHEEL BEARINGS MAINTENANCE " OU "ENTRETIEN DES ROULEMENTS À BILLES D'UNE REMORQUE

Item #	Description	Qté.
1	Ensemble de roulements à billes 1 po	1
1A	Capuchon de roulement (ajustement à pression)	2
1B	1 po. cône de roulement à bille	2
1C	Joint graisse	1

Item #	Description	Qté.
1D	Coupe poussière de 2 po	1
1E	Écrou d'essieu 1 po	1
1F	Goupille fendu de 3/16 po	1
2	Moyeu (dénudé) avec roulement	1
3	Essieu c/w moyeux et roulements à billes	1

Numéro de pièce _____ Ensemble d'essieu comprend toutes les parties 1A à 1 E.

Remarque: La course de roulement de la partie 1A est montée à la presse dans le moyeu et peut ne pas avoir besoin d'être remplacée lors du changement de roulements.

REMONTAGE DES ROULEMENTS DE ROUE

1. Desserrez les boulons de roue (Ne pas enlever!).
2. Supportez la remorque de sorte que la roue ne touche pas au sol. (cric – cric de plancher - blocs)
3. Retirer les écrous et la roue.
4. Démontez le moyeu
5. Nettoyer les moyeux et les roulements avec la graisse des roulements.
6. Réinstaller les roulements, l'écrou et la goupille.

ATTENTION: NE PAS serrer excessivement l'écrou. Le moyeu doit tourner librement et sans jeu.

7. Replacer les boulons et la roue. (Couple de 80 lb/pi.).

LICENCE DE REMORQUE

La remorque de Detail K2 DOIT ÊTRE CERTIFIÉE après assemblage par un garage local qui est approuvé et détient une licence pour fournir des certificats de sécurité pour les véhicules routiers.

Afin d'enregistrer votre remorque auprès du ministère des véhicules automobiles ou du ministère des Transports et obtenir une plaque d'enregistrement vous devrez avoir soit le formulaire NVIS au Canada, soit le certificat d'origine des fabricants aux États-Unis rempli et signé par le concessionnaire vous transférant la propriété de la remorque. Ce formulaire se trouve dans votre trousse de manuel du propriétaire de la remorque. Ce formulaire ainsi que le reçu d'achat (reçu de caisse) et certificat de sécurité à votre département local de véhicules moteur ou Bureau des permis du ministère des Transports. Une fois que vous aurez payé les droits appropriés, vous recevrez un titre ou un plaque d'immatriculation à attacher à la remorque.

RÉSIDENT DES USA

Pour communiquer avec le National Highway Traffic Safety Administration

Si vous croyez que votre véhicule a un défaut, qui pourrait causer un accident, des blessures corporelles ou la mort, informez immédiatement la National Highway Traffic Safety Administration (NHTSA) en plus de notifier Detail K2

Si la NHTSA reçoit des plaintes similaires ou trouve des défauts de sécurité dans un groupe de véhicules, elle peut ouvrir une enquête ou ordonner une campagne de rappel et de redressement. Cependant, la NHTSA ne peut pas s'impliquer dans des problèmes individuels entre vous, votre Revendeur ou Détail K2.

Pour communiquer avec la NHTSA, vous pouvez appeler la ligne d'assistance téléphonique sans frais 1-800-424-9393 (ou 366-0123 à Washington, DC) ou écrire à: NHTSA, Département des Transports des États-Unis, Washington, DC 20590.

LISTE DE PIÈCES

No. de pièce	Description	Qté.
4X60-1	Chaine de sécurité	1
4X60-2	Boulon hex M10 x 80	2
4X60-3	Barre d'attelage	1
4X60-4	Loquet en L	1
4X60-5	Boulon hex M14 x8 5	5
4X60-6	Support en L	2
4X60-7	Boulon hex M12 x 25	4
4X60-8	Feu de position frontal	2
4X60-9	Essieu	1
4X60-10	Boulon en U	4
4X60-11	Roues	2
4X60-12	Ailes	2
4X60-13	Feu arrière plaque	1
4X60-14	Goupille	2
4X60-15	Boulon hex M8 x 20	2
4X60-16	Plaque de retenue	2
4X60-17	Ressorts	2
4X60-18	Support de lampe gauche	1
4X60-19	Boulon hex M10 x 25	8
4X60-20	Support de plaque	1
4X60-21	Barrière	1
4X60-22	Goupille de barrière	2
4X60-23	Bague	2
4X60-24	ressort	2
4X60-25	Feu arrière dr.	2
4X60-26	Support de lampe droit	1
4X60-27	Châssis	1
4X60-28	Goupille R	1
4X60-29	Coupleur	1

SCHÉMA

