

## 24024 EDGER CURB WHEEL KIT (OPTIONAL ACCESSORY)

Thank you for purchasing a curb wheel kit attachment for your edger. We know that you will be pleased with the many uses you can accomplish with this handy tool.

### ASSEMBLY INSTRUCTIONS

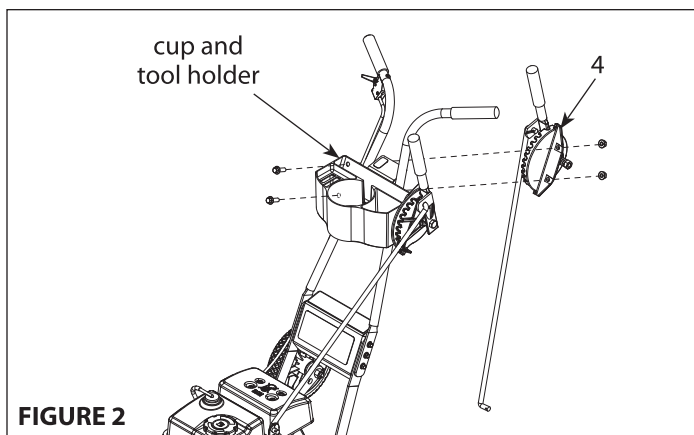
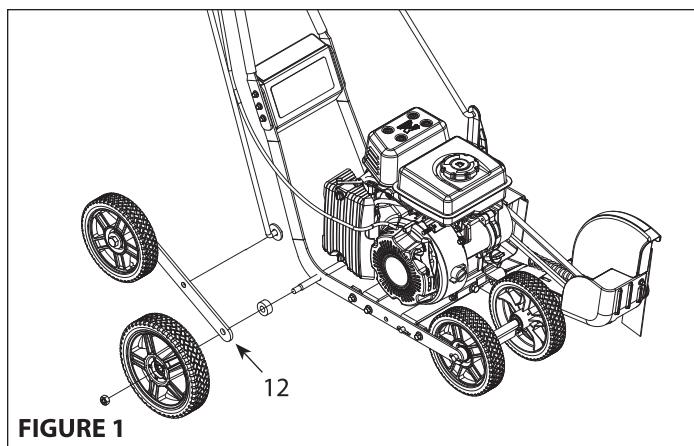
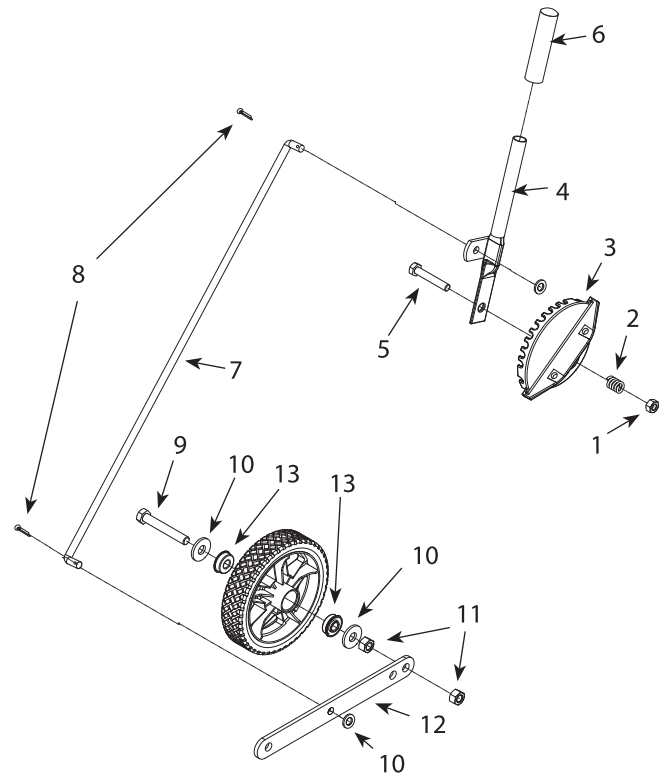
Remove right rear wheel. On the right side of the rear axle, reassemble wheel with the curb wheel leg assembly (12).

**SEE FIGURE 1**

**NOTE: The right and left sides of your edger are determined from the operating position as you face the direction of forward travel.**

Remove the two, right side nuts from storage assembly and attach height adjustment lever assembly (4) to the handlebar panel with the two, previous removed nuts. **SEE FIGURE 2**

Attach control rod (7) to curb wheel leg (12) and wheel height selector (4) with provided cotter pins (8) and washers (10).



KEY	PART #	DESCRIPTION	QTY.
1	W1265V0903	NUT M10 NYLOCK	1
2	23268	SPRING FOR HEIGHT ADJUST	1
3	23259	BRACKET HEIGHT ADJUSTER	1
4	23985	WHEEL HEIGHT SELECTOR	1
5	18844	BOLT M10 X 20 HEX	1
6	23261	GRIP	1
7	23809	CONTROL ROD CURB WHEEL	1
8	22097	COTTER PIN 4 MM	2
9	25318	BOLT M12 X 80 HEX	1
10	50175	WASHER M12	4
11	25131	NUT M12 X 1.75 HH	5
12	23984	CURB WHEEL LEG	1
13	23240	WHEEL KIT	1
-	-	BEARING 28.5 X 12	2
-	-	FRONT TIRE ASSEMBLY	1

All weights, specifications and features are approximate and are subject to change without notice. Due to continuous product improvements, product images may not be exact. Items used for props not included. Some assembly may be required.

P/N: 26411  
 ECN: 11654  
 REV2: 05/15/17