



FRIGIDAIRE

Factory Parts Catalog

Product No.	FDPC4221AB0A	FDPC4221AS0A	FDPC4221AW0A
Series	Built-in 24"	Built-in 24"	Built-in 24"
Color	black	stainless	white
Owner's Guide English	A17894301	A17894301	A17894301
Owner's Guide Spanish	A17894303	A17894303	A17894303
Owner's Guide French	A17894302	A17894302	A17894302
Service Data Sheet	A17893901	A17893901	A17893901
Energy Guide	808612231	808612231	808612231
Installation Instructions	154427301	154427301	154427301
Market	North America	North America	North America

Frigidaire

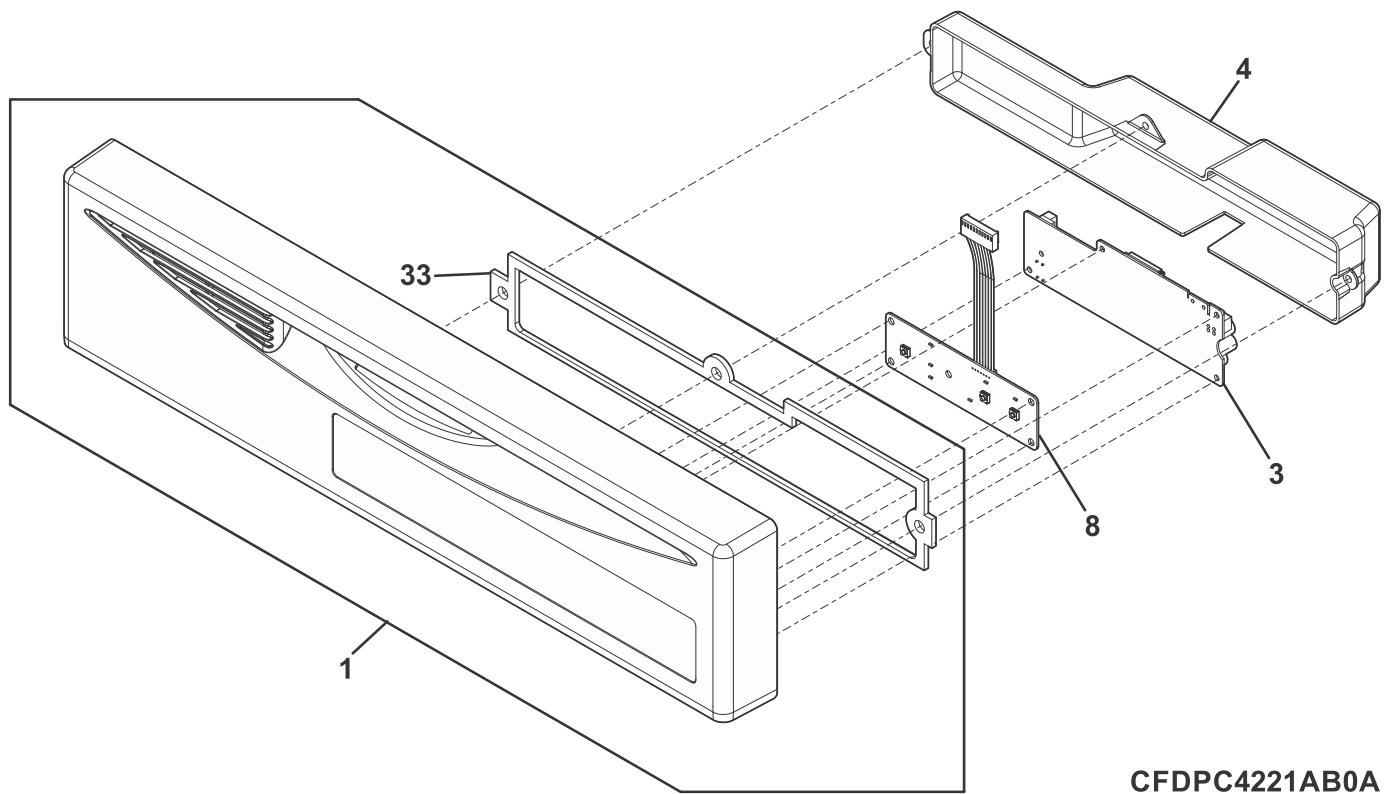
P.O. BOX 8020
CHARLOTTE, NC 28262

24-INCH BUILT-IN DISHWASHER

Model No.
FDPC4221A

Publication No.
5995722310
20/05/18
(EN/SERVICE/ECL)
821

CONTROL PANEL



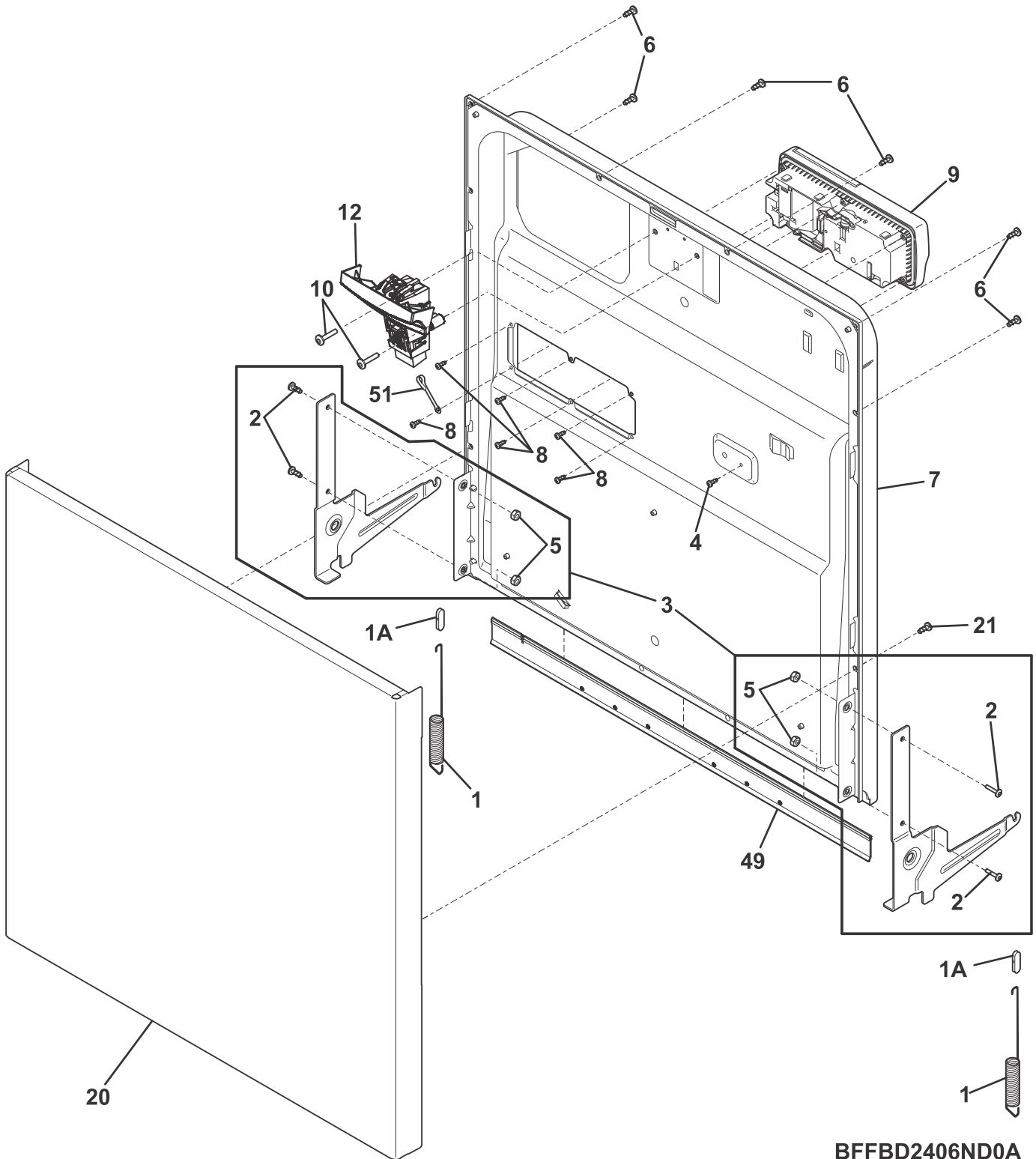
CFDPC4221AB0A

CONTROL PANEL

Model Index: **A** FDPC4221A (FDPC4221AB0A)
 B FDPC4221A (FDPC4221AS0A)
 C FDPC4221A (FDPC4221AW0A)

POS. NO	PART NO.		DESCRIPTION
1	5304525216	A B -	Control Panel, assembly, black, w/overlay-gasket
1	5304525217	- - C	Control Panel, assembly, white, w/overlay-gasket
3 #	5304525200	A B C	PC Board, control, GEM K4
4	5304525212	A B C	Cover, electronics
8 #	5304525208	A B C	PC Board, tactile switch
33	154553501	A B C	Gasket, cover
* #	5304525205	A B -	Harness Assembly, main, w/black latch, and high limit, thermostat
* #	5304525204	- - C	Harness Assembly, main, w/white latch, and high limit, thermostat
*	154294701	A B C	Screw, #7 plas .375, (6), disp. assy.

DOOR



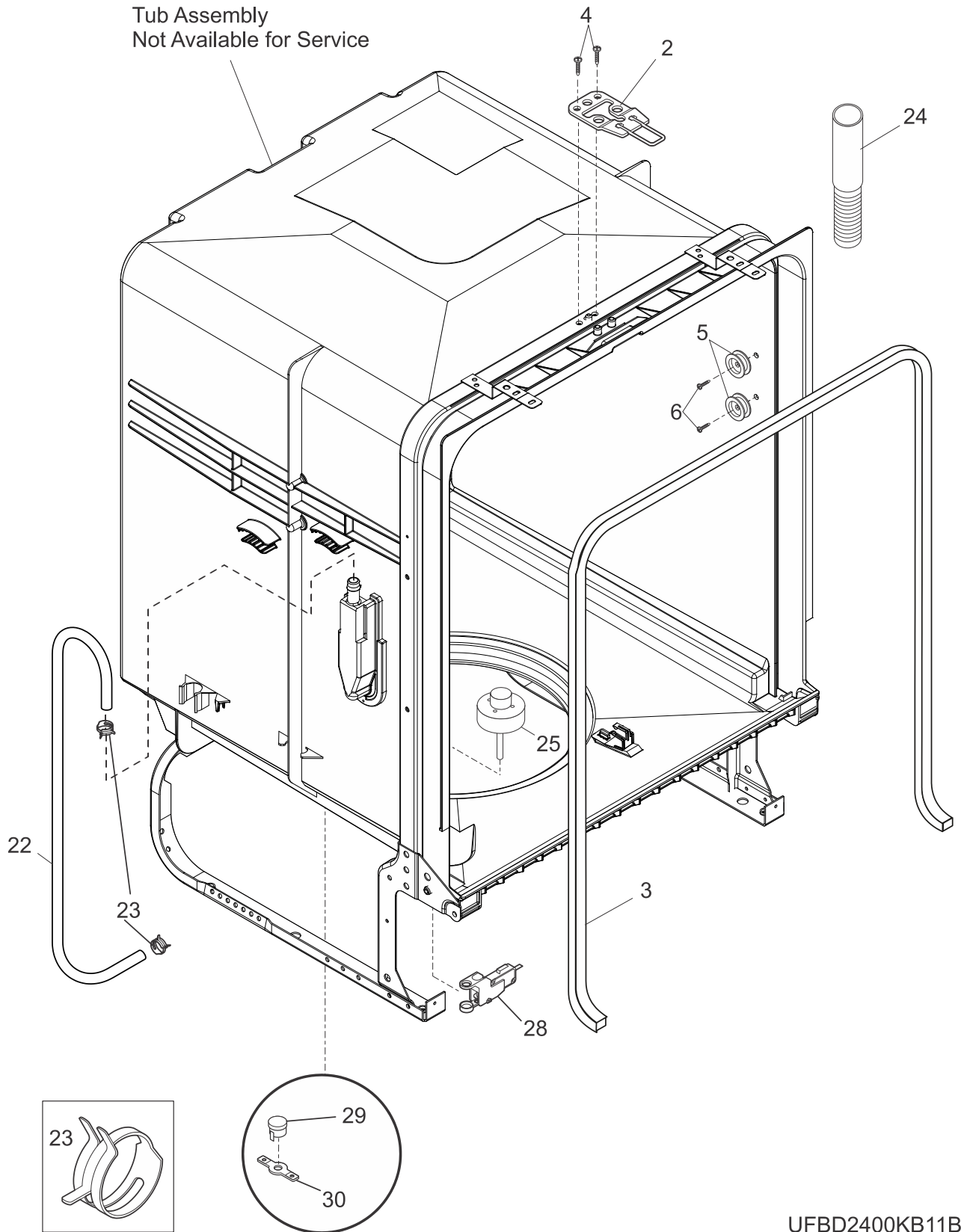
BFFBD2406ND0A

DOOR

Model Index: **A** FDPC4221A (FDPC4221AB0A)
B FDPC4221A (FDPC4221AS0A)
C FDPC4221A (FDPC4221AW0A)

POS. NO	PART NO.		DESCRIPTION
1	154430501	A B C	Spring, door, (2)
1A	154325201	A B C	Linkage, door spring, (2)
2	154093301	A B C	Screw, arm assy, (4)
3	5304513274	A B C	Counterbalance Arm, kit, LH & RH, w/screws-nuts
*	154647101	A B C	Hinge Pin, arm assy
*	154686401	A B C	Bearing, hinge pin
4	154825401	A B C	Screw, hex hd, 8-18 x .4, w/washer
5	154079601	A B C	Nut, arm assy, and handle mtg.
6	154783101	A B C	Screw, PLT, 8-10
7	5304520007	A B C	Liner Assembly, door, w/wiper, & reinforcement
8	154294701	A B C	Screw, #7 plas .375, (6), disp. assy.
9 #	5304506521	A B C	Dispenser, det/rinse aid, w/level ind.
9*	5304525214	A B C	Shield, dispenser assy
10	154103702	A B C	Screw, latch mtg, (2)
12 #	5304525219	A B -	Latch Assembly, service kit, black, w/connectors, and heatshrink
12 #	5304525220	- - C	Latch Assembly, service kit, white, w/connectors, and heatshrink
20	154829003	A - -	Door, outer, black, w/barrier
20	154829007	- B -	Door, outer, stainless, w/barrier
20	154829001	- - C	Door, outer, white, w/barrier
21	154754701	A B C	Screw, truss hd, 8-18 type AB
49	5304500204	A B C	Gasket, door, bottom
51	154320301	A B C	Clamp, drip loop, wire

TUB



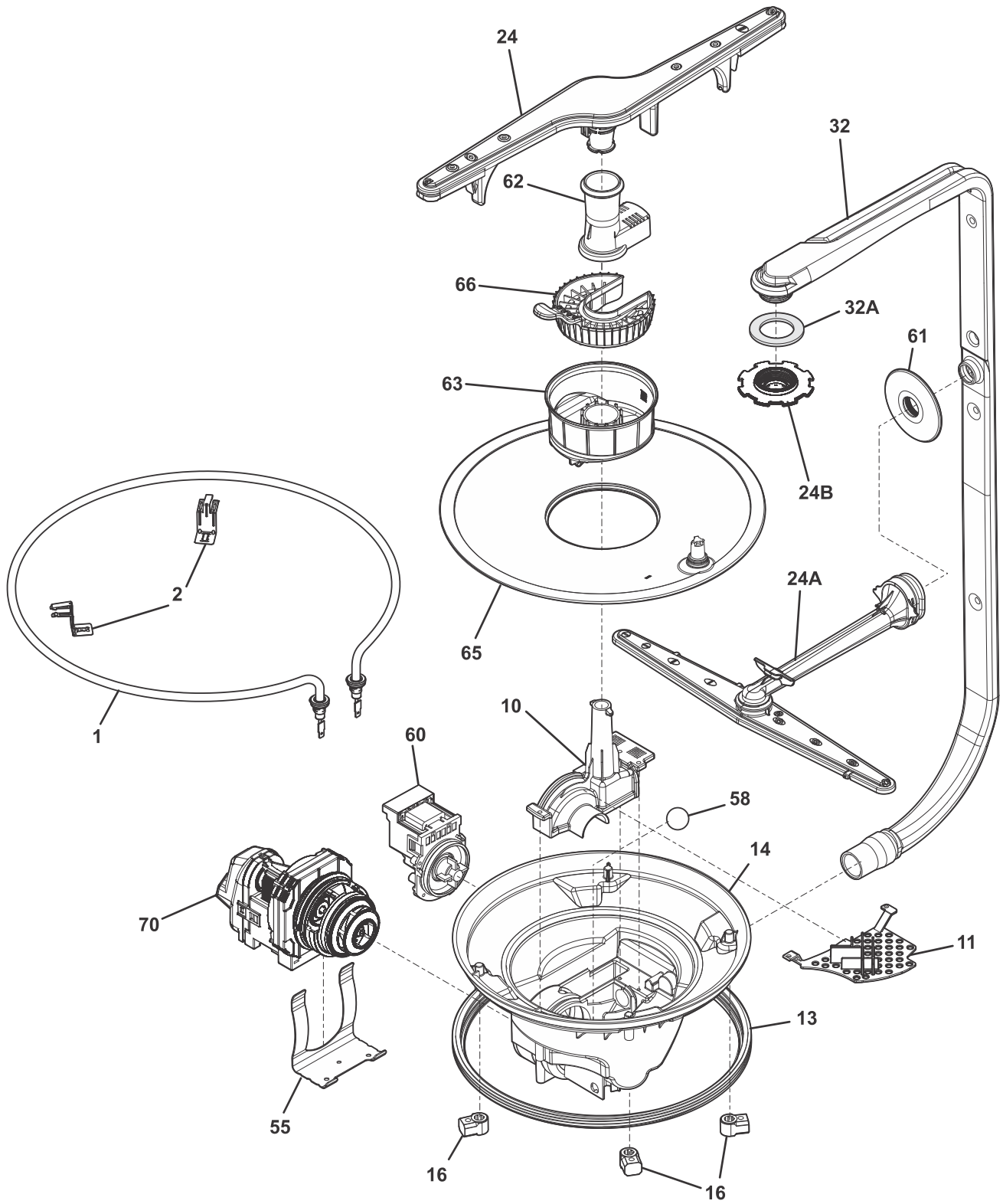
UFBD2400KB11B

TUB

Model Index: **A** FDPC4221A (FDPC4221AB0A)
B FDPC4221A (FDPC4221AS0A)
C FDPC4221A (FDPC4221AW0A)

POS. NO	PART NO.		DESCRIPTION
2	154662601	A B C	Strike, door
3 #	154827601	A B C	Gasket, tub
4	808326801	A B C	Screw, hex head, 8-18 x .400, (2)
5	154767502	A B C	Roller Assembly, tub, (8), w/screw-washer
6	5303943103	A B C	Screw, w/washer, (8)
22	5304523457	A B C	Tubing, inlet water
23	5303318539	A B C	Clamp, tubing, (2)
24	807117001	A B C	Hose, drain
25	5304506520	A B C	Float
28 #	154773201	A B C	Switch Assy, float
29 #	5304525221	A B C	Thermostat, service kit, high limit, w/connectors, and heatshrink
30	154241101	A B C	Retainer, thermostat
30*	154297701	A B C	Screw, retainer-thermo
* #	5304525205	A B -	Harness Assembly, main, w/black latch, and high limit, thermostat
* #	5304525204	- - C	Harness Assembly, main, w/white latch, and high limit, thermostat
*	154406801	A B C	Bracket Kit, countertop mtg, w/screws & instr
*	5300807270	A B C	Screw, (2), countertop mtg.
*	154380601	A B C	Clamp, hose, 1.5" open, worm gear, (5)
*	154041001	A B C	Screw, plask #1, 10-10 x 9/16

MOTOR & PUMP



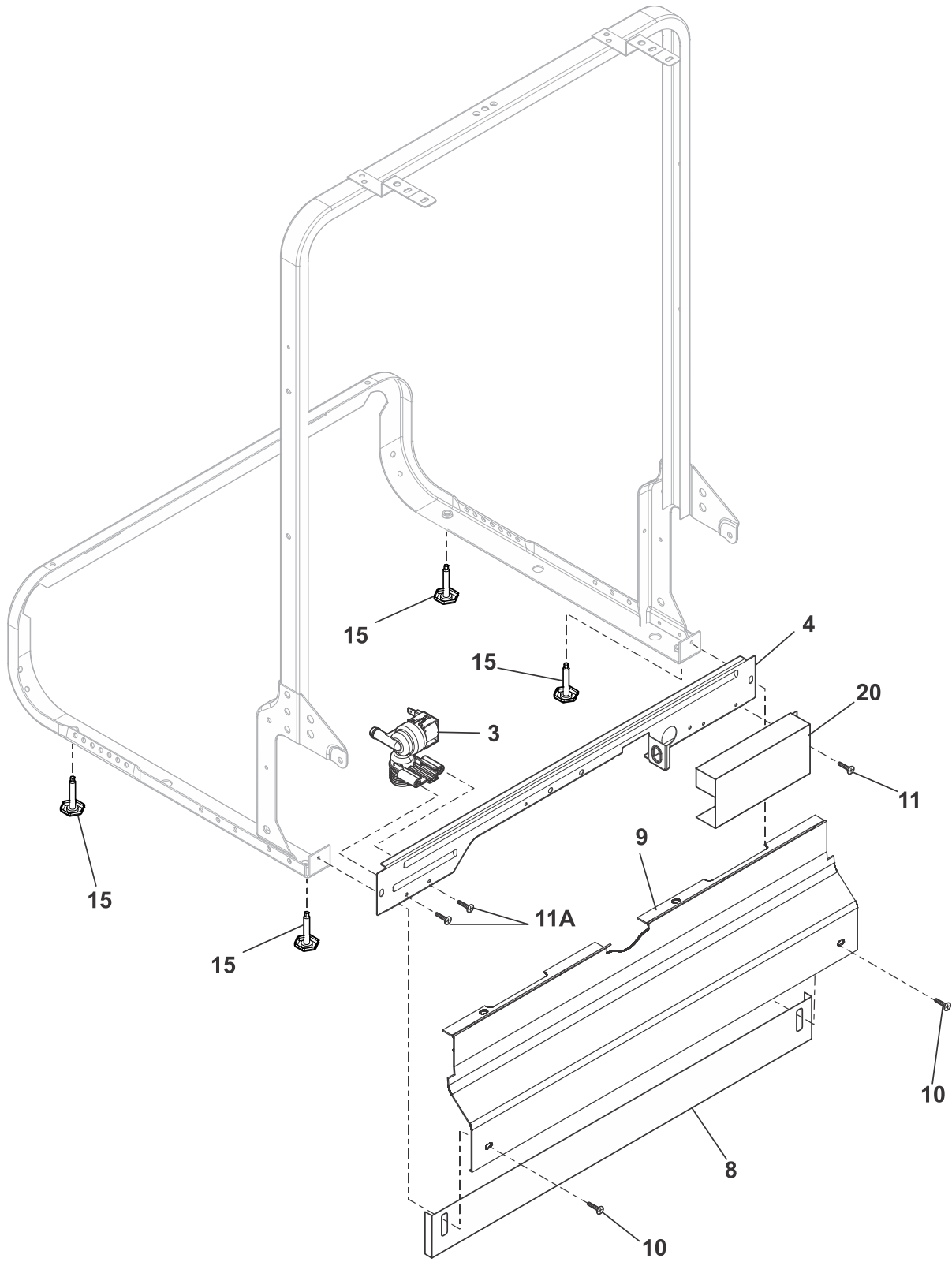
MFFCD2413UB1A

MOTOR & PUMP

Model Index: A FDPC4221A (FDPC4221AB0A)
 B FDPC4221A (FDPC4221AS0A)
 C FDPC4221A (FDPC4221AW0A)

POS. NO	PART NO.		DESCRIPTION
1 #	154825001	A B C	Heater, round
1*	154289801	A B C	Shield, heater terminal
1*	154106202	A B C	Nut, heater, (2)
2	154465101	A B C	Bracket, heater, (2)
10	807145201	A B C	Cover, volute
*	154783101	A B C	Screw, PLT, 8-10
11	807111601	A B C	Plate, pump inlet
13	154246801	A B C	Gasket, sump
14	154728201	A B C	Sump Assembly
16	154246502	A B C	Retainer, sump
16*	154754901	A B C	Screw, sump mtg, 8-16, (4)
22	5300809968	A B C	Washer
24 #	5304517203	A B C	Spray arm, blue, lower, w/heat shield
24A#	5304506740	A B C	Spray arm, center
24B	154754302	A B C	Nozzle, shower, assembly
32	154824201	A B C	Tube, delivery
32*	154491101	A B C	Screw, delivery tube
32A	154406401	A B C	Gasket, delivery tube
55	154595901	A B C	Bracket, motor
55*	154779601	A B C	Screw, PH, 8-10, (2)
58	154246402	A B C	Check ball
60 #	5304492415	A B C	Drain Pump Assy
60*	807048001	A B C	Flapper, valve
60*	154741501	A B C	Screw, drain motor mtg, (3)
61	5304506517	A B C	Grommet, delivery tube
62	5304518968	A B C	Support, spray arm, lower
63	5304506533	A B C	Base, soil director
65	5304506525	A B C	Filter, polypro
66	5304506518	A B C	Trap, glass
70 #	5304519906	A B C	Motor & Pump Assy, leili, w/o-rings
* #	154753101	A B C	Thermistor

FRAME



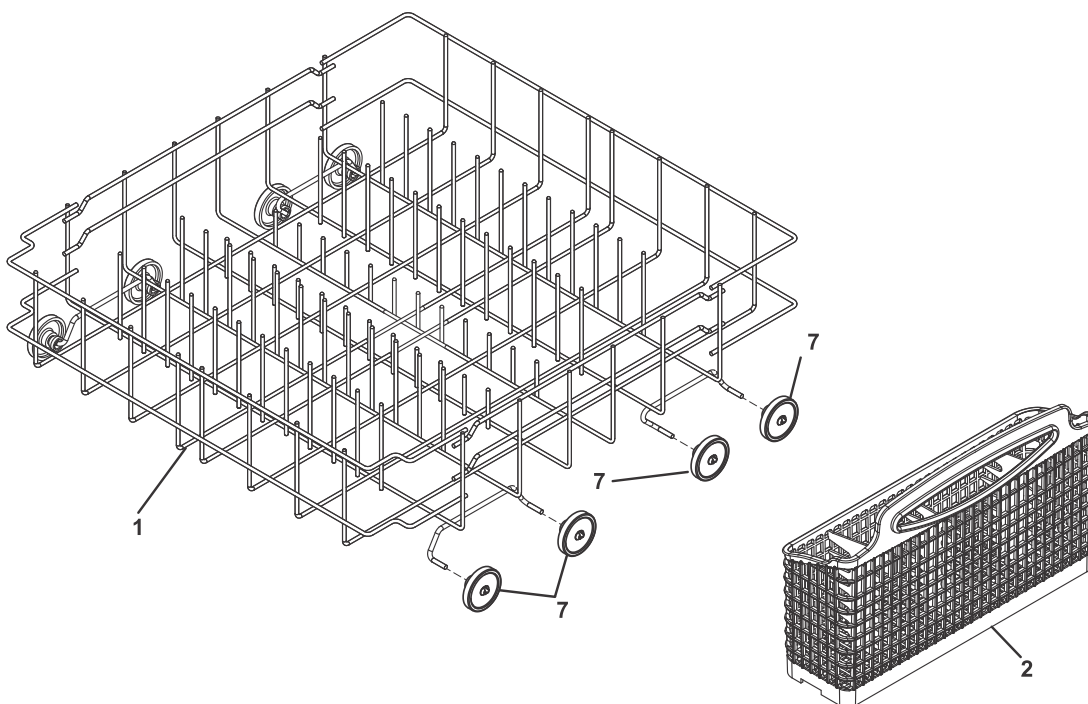
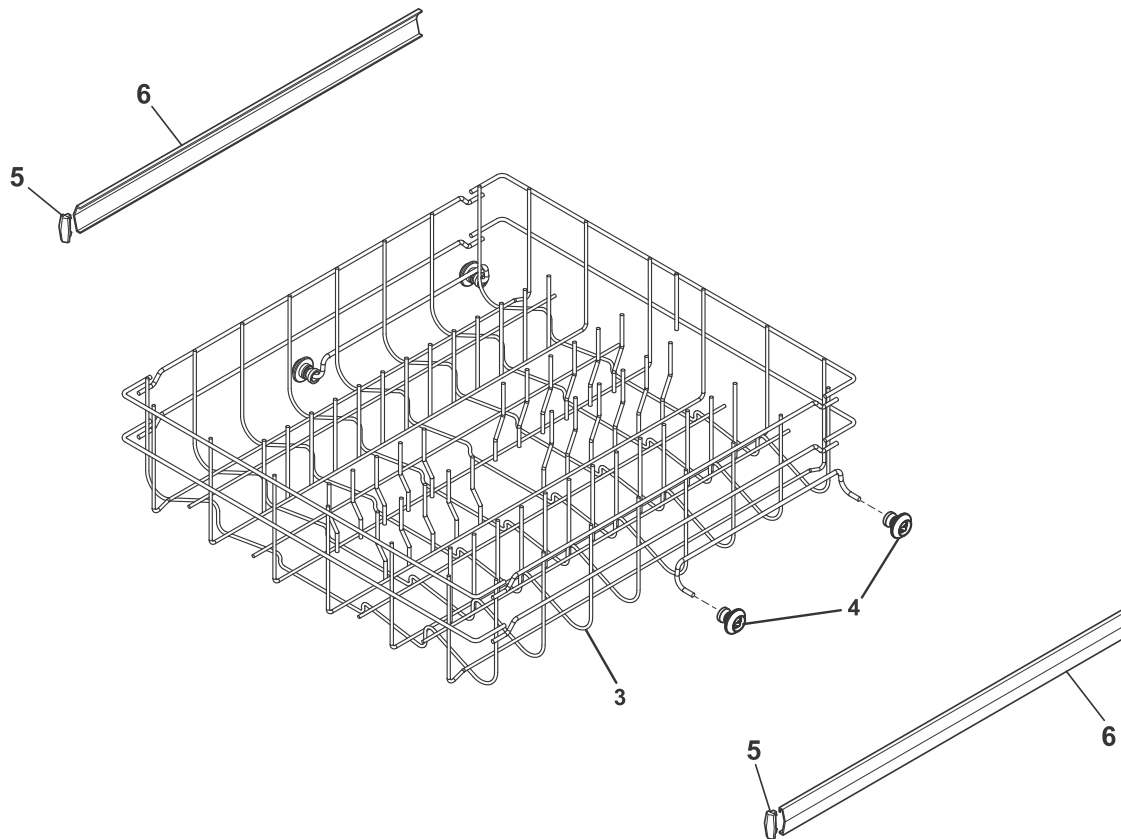
FFDPC4221AB0A

FRAME

Model Index: **A** FDPC4221A (FDPC4221AB0A)
B FDPC4221A (FDPC4221AS0A)
C FDPC4221A (FDPC4221AW0A)

POS. NO	PART NO.		DESCRIPTION
3 #	5304525044	A B C	Valve, water inlet
3*	154106801	A B C	Clamp, hose, 1.29" open, worm gear, (2)
4	5304508587	A B C	Brace, front frame
8	154745503	A B -	Toeplate, adjustable, black
8	154745501	- - C	Toeplate, adjustable, white
9	5304501484	A B -	Kickplate Assy, PVC, black, w/label
9	5304501482	- - C	Kickplate Assy, PVC, white, w/label
10	154754801	A B -	Screw, toeplate mtg, 8-18 AB hex hd, black, (2)
10	154371301	- - C	Screw, Phillips head, white
11	154200701	A B C	Screw, #10-32 x 3/8
11A	154825401	A B C	Screw, hex hd, 8-18 x .4, w/washer
15	5304506540	A B C	Leg, leveling, 1/4-20
20	154758501	A B C	Cover, junction box, w/label
*	154041001	A B C	Screw, plask #1, 10-10 x 9/16
*	808690701	A B C	Screw, Plask1, #10-10 x 9/16, (2)

RACKS



RFDPC4221AB0A

RACKS

Model Index: **A** FDPC4221A (FDPC4221AB0A)
 B FDPC4221A (FDPC4221AS0A)
 C FDPC4221A (FDPC4221AW0A)

POS. NO	PART NO.		DESCRIPTION
1	154331606	A B C	Rack Assembly, lower, grey
2	5304509753	A B C	Basket, silverware
3	5304517201	A B C	Rack Assembly, upper, grey
*	5304506527	A B C	Nameplate, rack spacer, grey
4	5304523190	A B C	Wheel & bushing assy, gray, upper rack
5	5304506510	A B C	Cap, rack slide
6	154597801	A B C	Slide, rack, upper, (2)
7	5304521179	A B C	Wheel & bushing assy, lower rack, (8)

WIRING DIAGRAM

