

WEIBANG®

775 Glenn Ave, Wheeling, IL 60090

WBSC457LC SOD CUTTER



Operator's manual (Original instruction)

DO NOT operate this equipment until you have read and understood all enclosed Operator's Manual.

READ ALL the sections in this manual **PRIOR** to attempting to service, maintain or operate this equipment!

Content

1 Pre-operation note	1
2 Safety precautions	2
3 Assembly	8
3.1 Unpacking instructions	8
3.2 How to set up your sod cutter	9
4 Features and controls	9
5 Transporting the sod cutter	11
6 Pre-operation procedures	12
7 Operation procedures	13
7.1 Starting and stopping the engine	13
7.2 Operating the machine to cutting sod	14
7.3 Notes during operation	16
8 Service and adjustment	17
8.1 Engine	17
8.2 Sod cutter	17
9 Storage	18
10 Maintenance procedures	19
10.1 Inspection schedule	19
10.2 Preventative maintenance procedures	20
10.3 General service procedures	21
10.3.1 General safety procedures	21
10.3.2 Pre-maintenance	22
10.3.3 Maintenance Contents	22
11 Trouble shooting	26
12 Warranty	28



DANGER: Do not operate the engine in an enclosed area. Engine exhaust contains carbon monoxide, a deadly gas that is odorless, colorless and tasteless. Always run engine outdoors and make sure there is adequate ventilation.

DO NOT operate this equipment until you have read and understood all the enclosed Operator's Manual.

READ ALL the sections in this manual **PRIOR** to attempting to service, maintain or operate this equipment!

Following security identity is to remind you always pay attention to safety during operation:

Danger:

Show immediate serious results of injury or death.

Warning:

Show unsafe actions or conditions may cause serious injury, death or damage to major equipment.

Caution:

Show unsafe action or conditions may cause injury or property damage.

Any modification unauthorized by manufacturer is prohibited. These modifications will change the performance and reliability of this machine or cause safety hazards to operators, and lead to the failure of warranty.

Pre-Operation Note

Thank you for your purchase of the WEIBANG sod cutter. This sod cutter has been designed and manufactured to our highest quality demands for durability and performance.

WEIBANG Garden Machine Company Limited is committed to offering durable products and quality after-market service. The WEIBANG sod cutter is warranted to be free from manufacturer's defects in material and workmanship for a period of one (1) year from the date of purchase (except used for commercial purpose or hire and rental applications). This warranty will be void if the machine has not been operated and maintained in the manner prescribed in this Operator's Manual. Any machine malfunctions, and/or warranty claims that arise from the misinterpretation or the misunderstanding of the instructions and cautions discussed in this booklet will not be eligible for warranty protection.

In order for the sod cutter to perform at its optimum capabilities, the operator must read this manual thoroughly before using this unit. This Operator's Manual contains important product operation procedures, safety precautions, maintenance and troubleshooting tips as well as other advisories. Please keep this manual nearby when operating the lift as a reference should any questions arise.

WBSC457LC Sod Cutter is a professional garden machine with high efficiency used for sod transplant, which can separates the entire sod away from the planting soil from the bottom of roots, and form a sod belt with uniform width and uniform thickness, meanwhile retain a certain length of roots. The sod belt can be transplanted to landscaping jobsite to form the desired turf vegetation landscape quickly. The sod thickness can be adjusted by change cutting depth according to different varieties of sod to reduce the damage to grass roots, and the sod transplanted is easy to survival.

The machine should not be used for any other purpose than that stated above. The inappropriate use of any machine can cause serious damage and/or bodily harm to the environment and operator. It is imperative that the operator of this equipment be responsible for the operational environment of the sod cutter. Please read, understand and follow all instructions that are provided in this manual. Please be prepared and well-informed for all specific requirements precautions and work hazards that may and/or do exist at the jobsite.

Powered by a 7 HP LONCIN engine, the WBSC457LC is a powerful unit. A heat-treatment hardened high-strength alloy steel blade equipped is very durable and cutting sod easily. Failure to maintain the sod cutter in a proper manner will lead to decreased productivity of the tool and hazards to the operator and bystanders. Inspect you jobsite for any debris such as rocks, wiring, string or and other items that can become hazardous during work. Identify and mark all fixed

objects to be avoided during work, such as sprinkler heads, water valves, buried cables, or clothes line anchors etc. **Do not use the machine if it has been modified or improperly maintained.**

All jobsites are different. Please ensure that when using the WEIBANG sod cutter, all local bylaws and codes are followed. All operators and mechanics of this machine should be trained in general machine use and safety.

Every care and effort has been made to ascertain the accuracy and completeness of procedures described in this document to ensure your enjoyment and satisfaction. If you have any questions or concerns, please contact the WEIBANG'S local dealer or WEIBANG's exclusive national distributor.

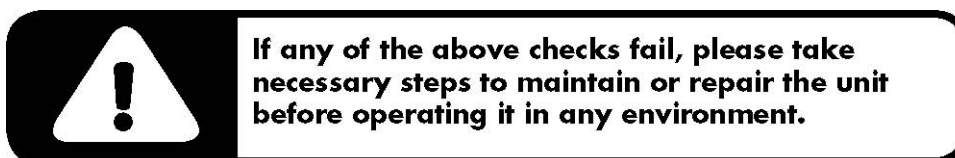
Specifications

Model	WBSC457LC	
Power	LONCIN G200F 4.1kW 6hp	
Cutting depth(Max.)	1.8 inches	4.5 cm
Cutting width	18 inches	45cm
Cutting speed	0.9-1.1m/s	
machine size LxWxH	69x29.5x37.4 inches	175x75x95cm
Net weight	387 Pound	176 Kg
Gross weitht	440 Pound	200 Kg

Safety Precautions

SAFETY REGULATIONS

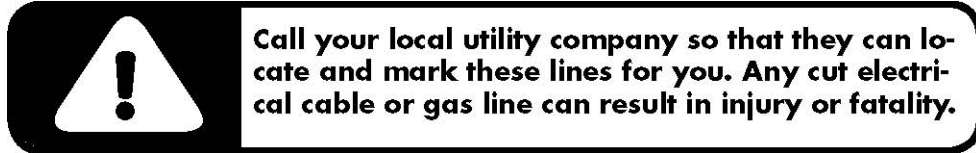
1. This machine may only be operated by responsible persons, who are trained and familiar with the operating instructions. Before starting to use this machine, read, under stand and follow all instructions that are provided in this manual.
2. Before operating power rake, ensure that it is structurally and mechanically safe by checking the following:
 - a. Are all engine controls and the clutch action functioning within acceptable tolerances?
 - b. Are all nuts and bolts in good working condition? Tight and keep all guards and deflectors in place and in good working condition.



3. Before using the sod cutter on proposed jobsite, perform the following environmental checks:
 - a. Inspect the entire work area for unexpected buried hazards, such as boulders, foundations, and fencing.
 - b. Clean work area of any litter or debris, such as wire, boards, rocks, or any other potential hazards.

Safety Precautions cont'd ...

- c. Know and mark the location of any and all buried utility lines or sprinkler systems. If in doubt, always check with your local utilities provider for survey information and assistance.



- d. Check for ventilation in area. Do not operate the sod cutter or run the engine in unventilated areas. Engine exhaust contains carbon monoxide, a deadly gas that is odorless, colorless, and tasteless.

ALWAYS OPERATE CHIPPER/SHREDDER OUTDOORS!!

4 Always wear proper safety clothing and equipment for the job. These can and should include eye and ear protection, gloves, dust mask and any other items that are appropriate for the job and jobsite requirements.

- Never wear any jewelry, neck ties, or other loose or hanging items that can be caught on any part of the machine.
 - Tie back or remove any loose hair, clothing and any other potential hazards and obstructions. Keep all hands, loose clothing, hair, jewelry and all other personal parts and belongings away from moving parts of the machine.
 - Avoid coming in contact with the muffler and other engine parts after the engine is started and the time immediately after the machine is turned off. Machine and engine temperatures may exceed 150°F or 66°C. Machine must be allowed to cool before touching it or attempting to perform any maintenance!
 - Do not tamper with the engine governor settings on the machine; the governor controls the maximum safe operating speed and protects the engine and all moving parts from damage caused by dangerously high speeds.
 - Do not transport or move machine while the engine or machine is running.
5. For the safety of others and that of the operator, observe the following precautions:
- While the machine is in use, keep observers and bystanders at least 35 feet away from the sod cutter and its immediate working environment.
 - Stop operations or if anyone or anything (i.e.: humans, animals, etc.) approaches from the front or the sides while the machine is in operation.
 - If the cutting mechanism strikes any foreign object or if the machine should start making an unusual noise or vibration, immediately shut off the engine and allow the machine to stop. Disconnect the spark plug wire from the spark plug and take the following steps:
 - i. Inspect for damage.
 - ii. Replace or repair damaged parts.
 - iii. Check for and tighten any loose parts.
 - Stop work and turn off the sod cutter if chipping jams the machine or causes it to labor unnecessarily. Inspect the machine for any possible causes.

Safety Precautions cont'd ...

- Before attempting to clear any jams in the unit, inspecting or servicing any part of the machine, stop the engine and remove the sparkplug wire, and make sure that all moving parts have come to a complete stop.
 - Never leave machine unattended. Shut off the engine whenever you leave the work area.
 - This machine only used for cutting sod and should not be used for any other purpose. The inappropriate use of any machine can cause serious damage and/or bodily harm to the environment and operator.
 - DO NOT, under any circumstances, operate machine if any of the following conditions are applicable:
 - i. Any impairment (i.e.: medical conditions, medicinal side-effects, alcohol, drugs etc.) of the operator.
 - ii. The operator has not read or understood the operator's manual for this machine.
 - iii. The operator does not clearly understand the operations of the machine.
 - iv. The machine is in need of repair
 - v. The operator is inappropriately attired to operate the machine.
6. Take care of children. Tragic accidents can occur if the operator is not alert to the presence of children. Children are often attracted to the chipper/shredder and to the operation activity. Never assume that children will remain where you last saw them.
- a. Keep children out of the working area and under the watchful care of a responsible adult.
 - b. Be alert and turn machine off if children enter the area.
 - c. Never allow children to operate the cod cutter.

Warning: Do not carry children or any other persons sitting on the machine.

7. Use extra care in handling fuels. They are flammable and vapours are explosive.
- Use only an approved container.
 - Never remove fuel cap or add fuel with the engine running. Allow engine to cool before refueling.
 - Do not smoke.
 - Never refuel the machine indoors.
 - Never store the machine or fuel container inside where there is an open flame, such as a water heater.
 - If fuel is spilled, do not attempt to start the engine, but move the machine away from the area of spillage before starting.
 - Always replace and securely tighten fuel cap after refueling.

SAVE THESE INSTRUCTIONS!!

Special safety precautions

1. Do not remove any safety guard and other security protection facilities.
2. Do not start the machine until the gear selecting lever is set in neutral.
3. For safety reasons, when the machine is self propelled for transporting, make sure the blade is disengaged and lift up.

Safety Precautions cont'd ...

4. Never leave machine unattended. Shut off the engine and shift the ignition switch to "OFF" whenever you leave the work area.
 5. For engaging blade or selecting gears, reduce the throttle and pull the clutch handle slowly until the transmission is semi-engaged to avoid damaging gears.
 6. Do not engage the blade until the transmission is in neutral, FAILURE TO DO SO MAY RESULT IN SERIOUS INJURY OR DEATH.
 7. The cutting work should be carried in low gear, fail to do so will damage the machine and affect cutting effect.
- DO NOT cutting sod when the machine is in high speed gear.
 - DO NOT use this machine at any other circumstances except lawn.
 - THIS MACHINE IS NOT DESIGNED FOR USE ON SLOPES OF MORE THAN 20% GRADE.



IF MACHINE IS USED ON EXTREME SLOPS, THE MACHINE MAY BECOME UNBALANCED TO THE POINT OF PRESENTING THE DANGER OF ROLLING OVER.

- Keep all hands or feet and all other personal parts away from moving parts of the machine.
- Do not run this machine in unventilated areas.
- Do not manually drive the machine until the gear is disengaged.
- Do not attempt to perform any repairs, service, or diagnostics, or to transport or move the machine until it comes to a complete stop. Disconnect cable from the sparkplug and place where it cannot come in contact with plug.
- Do not run this machine until all guards and deflectors in place and in good working condition.
- The sod cutter is a heavy unit. DO NOT ATTEMPT TO MANUALLY LIFT ALONE!
- Do not select gears until the machine stops moving.
- After gear selecting, accelerate the throttle slowly
- Do not put down or lift up the blade until the driving system is disengaged.

Regular maintenance and parts replacement are important steps to extending the life of your equipment and enjoying its optimum performance. When performing or conducting any maintenance or repairs, always check that your working surroundings are safe and well-ventilated and that the technician is familiar and comfortable with all aspects of the machine and required procedures.

This guide aims to serve as a representational guide to the WBSC409H. Any other uses or application beyond the scope of this document are strictly prohibited. While every attempt has been made to maintain its accuracy, WEIBANG reserves the right to update and modify the equipment without prior notification. Prior to undertaking to perform any maintenance or repair procedures, please contact our Technical Support Hotline for clarification and to acquire appropriate parts.

To order spare parts, please provide the following information:

1. Machine Make
2. Model Number
3. Machine Serial Number

Safety Precautions cont'd ...

4. Quantity Required of Each Part

5. Part Numbers

6. Part Descriptions.

1 Contents List

Prior to setting up the WBSC409H Professional sod cutter, check that the following items are enclosed:

Item	Quantity	Check if enclosed
WBSC457LC Sod cutter	1	<input type="checkbox"/> Yes <input type="checkbox"/> No
WBSC457LC Handle bar with clutch handle	1	<input type="checkbox"/> Yes <input type="checkbox"/> No
WBSC457LC Sod cutter Operator's manual	1	<input type="checkbox"/> Yes <input type="checkbox"/> No
Engine Operator's manual	1	<input type="checkbox"/> Yes <input type="checkbox"/> No

If any of these items are missing, please contact local dealer and ask for the Service Department at once.

DO NOT ATTEMPT ASSEMBLY OR OPERATION WITHOUT ANY OF THESE LISTED PARTS!

All WEIBANG parts are guaranteed by a thirty (30) day warranty against any manufacturer's defects in workmanship and material. Consult Warranty page in the Operator's Manual for further details on our Warranty Policy.

2 Information on Safety Decals

Below are the decals available for re-ordering to facilitate maintenance. All decals are available for replacement except that with the serial number of the unit for each number serves as an unique identifier for warranty and support purposes.

If you have any questions, please do not hesitate to contact your local dealer for further assistance.

Warning

- Do not shift gears or engage blade when the machine is running with high speed.
- Shift gears or engage blade until the engine is running with idle speed and the power is semi-engaged to avoid damaging the gearbox.

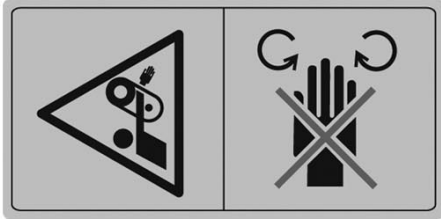
Caution

The engine exhaust from this production contains chemicals know to the state of California to cause cancer, birth defects, or other reproductive harm. Engine produces carbon monoxide which is an odorless deadly poison. **DO NOT OPERATE IN AN ENCLOSED AREA.**

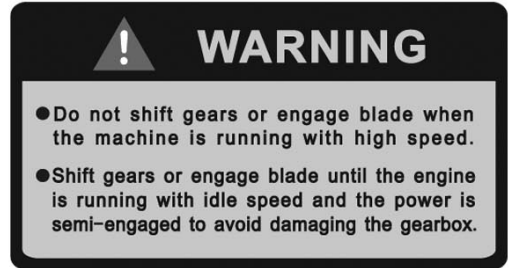
READ ALL the sections in this manual PRIOR to attempting to service, maintain or operate this equipment.

DO NOT operate this equipment until you have read and understood all the enclosed Operator's Manual.

Safety Precautions cont'd ...



BELT SHIELD: PART NO. FKELP010
QTY Required=1PCS



GEAR BOX: PART NO. FKELP041
QTY Required=1PCS



GEAR BOX: PART NO. FKELP021
QTY Required=1PCS



GEAR BOX:
PART NO. FKELP050
QTY Required=1PCS



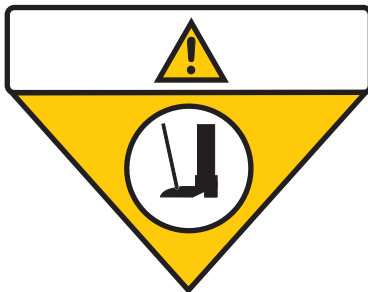
FUEL TANK: PART No. L0106040Z
Qty Required=1PCS



GEAR BOX: PART NO. FKELP031
QTY Required=1PCS



SERVICE: PART No. L0106080Z
Qty Required=2PCS



WARNING: PART No. L0203000
Qty Required=1PCS



OPERATOR: PART No. XYJLP070
Qty Required=1PCS

WEIBANG®

LOGO: PART NO. L0401050
QTY Required=1PCS

Carefully read these instructions and this manual in its entirety, before you attempt to operate your new shredders.

IMPORTANT: THIS SOD CUTTER IS DELIVERED WITHOUT OIL OR PETROL IN THE ENGINE.

Your new sod cutter has been pre-assembled at the factory, with the exception of those parts left unassembled for shipping purposes. All parts such as nuts, washers, bolts, etc. necessary to complete the assembly have been attached on the machine. To assure safe and proper operation of your sod cutter all parts and hardware you assemble must be tightened securely. Use the correct tools needed to assure proper tightening.

I UNPACKING INSTRUCTIONS

WARNING

To prevent personal injury or property damage, do not attempt to start the engine until all assembly steps are complete and you have read and understand the safety controls and operating instructions in this manual.

INTRODUCTION

Please carefully follow these assembly steps to properly prepare your machine for use. We recommend that you read this Section in it's entirety before beginning assembly.

NOTE: All references to left, right, front and rear of the machine are determined by standing behind the handlebars and facing the direction of forward travel.

INSPECTION AFTER DELIVERY

When unpacking the machine, inspect for shipping damage or missing parts, if you find any damage, or if parts are missing, notify the WEIBANG Dealer who sold you the machine.

TOOLS/MATERIALS NEEDED:

Active Wrench / Motor Oil / Tire Gauge

1. UNPACKING STEPS

- Cut plastic banding. To open the box, remove top plywood panel firstly,
 - Remove the handle bar with belt clutch handle.
 - Remove all around wall panel.
 - Remove the angle iron securing machine to wood pallet.
 - Move the machine from the wood pallet.
 - Check the box thoroughly and remove additional loose parts included with sod cutter.
 - Remove all packing materials.
- The WBSC409H is a HEAVY machine. The net weight is 387 lbs/176kgs. **DO NOT ATTEMPT TO MANUALLY LIFT ALONE! It is recommended extremely using a crane to lift the unit.**

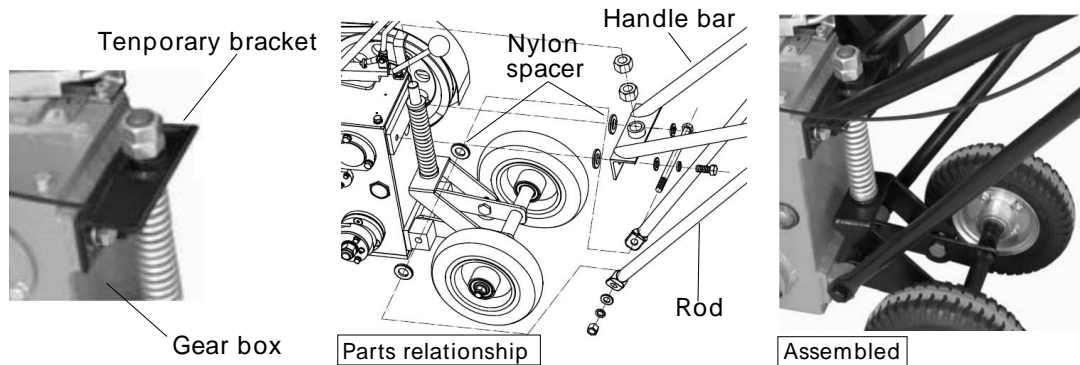


If there is no crane for lifting, make sure that four people lifting the machine are capable of lifting at least 100 lbs/45.36kgs individually!! NEVER ATTEMPT TO LIFT THE MACHINE WITH ONLY ONE or TWO PERSON!!

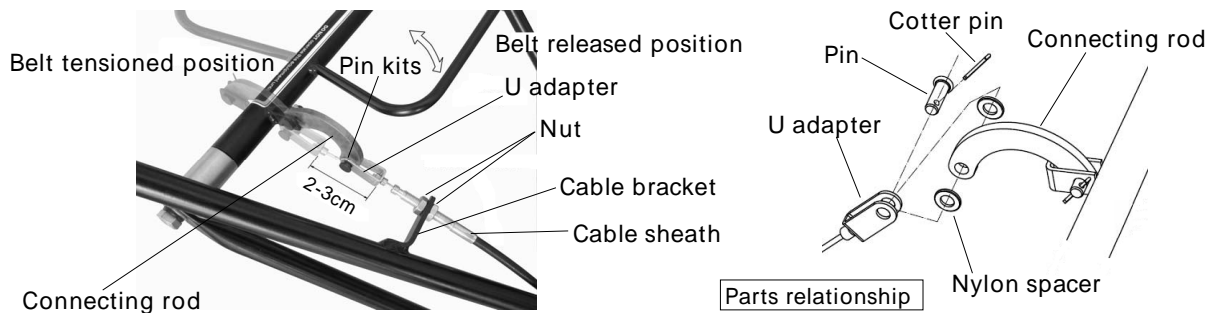
Assembly Cont'd

II HOW TO SET UP YOUR SOD CUTTER

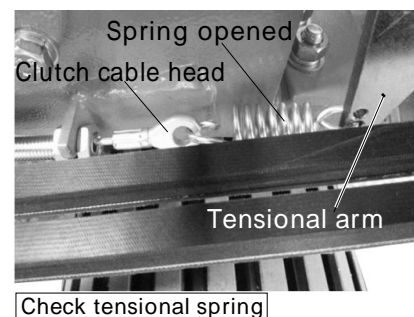
CAUTION: Wear protective gloves during operation of setting up your sod cutter.



- 1) Remove the temporary bracket, and then install the components of handle-bar & rod, and then connect the screw end of clutch cable to the belt clutch handle according to installing drawing.
- 2) Make sure the handle bar have been connected to the machine correctly and all bolts have been tightened securely.



- 3) Check the tensional spring to ensure the clutch cable connected correctly. The cable travel should be 1.9-2.54cm and the cable is easy to reset.
- 4) Check and make sure the engine has enough oil in crankcase.
- 5) Refer to engine operator's manual for further details of running an engine.

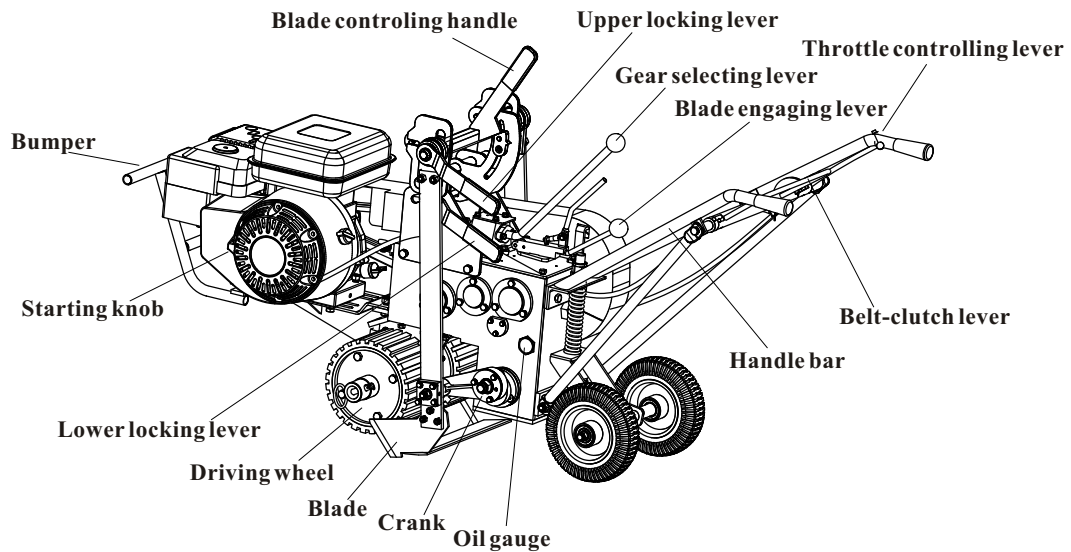


Features And Controls

Machine Overview

The following is a list of important control and operation mechanisms with which the operator must be familiar PRIOR to using this machine . Failure to do so may result in severe injury and/or fatality to the operator and others and may lead to reduced machine life or damage to this machine.

Features And Controls Cont'd



1. Bumper, Used for protecting the engine and the towing the machine.
2. Blade-controlling handle, used for controlling cutting depth and blade angle.
3. Upper locking lever, used together with blade controlling handle for setting different cutting depth.
4. Lower locking lever, used together with blade controlling handle for adjusting the blade cutting angle.
5. Gear-selecting lever, used for selecting gears to change driving speed.
6. Blade-engaging lever, used for control the running and stopping of the blade, which include a locking lever and a shifting lever.
7. Handle bar, used for controlling the direction of machine's travelling.
8. Throttle-controlling lever, used for stopping or accelerating the machine.
9. Belt-clutch handle, for engaging or disengaging the gearbox with engine.
10. Oil gauge, used for observing oil quality and liquid level.
11. Driving wheel, for pressing lawn and selfpropelling.
12. Travelling wheel, intalled on driving wheel, used for short distance (less than 1000m) transferring from another. Remove the wheel before cutting sod.
13. Starting knob, used for recoil starting the engine.

Engine lubrication oil

For oil type, viscosity and capacity please refer to engine manual.

Lubrication oil for engine gear box

For gear oil type, viscosity and capacity please refer to engine manual.

Lubrication oil for transmission system

1. If transmission box need maintenance, please contact your local dealer.
2. The transmission system uses vehicles gear oil, which can be observed by vision through an oil level gauge on transmission case. The oil should be replaced after first 500 working hours and every 1000 hours later. Adding oil in time when the liquid level is below the window of oil gauge.
3. Greasing all zerks every 10 hours

Transporting The Sod Cutter

CAUTION: Do not transport or move machine while the engine or machine is running. Stop the engine and remove the sparkplug wire, and make sure that all moving parts have come to a complete stop. Prevent fuel spillage, gasoline is flammable and vapors are explosive.

- The machine is equipped with 14-inch 6PR inflatable tires with ball bearings, which make the machine can self propelled easily for short distance. Do not manually drive the machine until the gear is disengaged. **Do not tow the machine for transportation.**
- The WBSC409H is a HEAVY machine. The net weight is 387lbs/176kgs. **It is recommended extremely using a crane to lift the unit.**

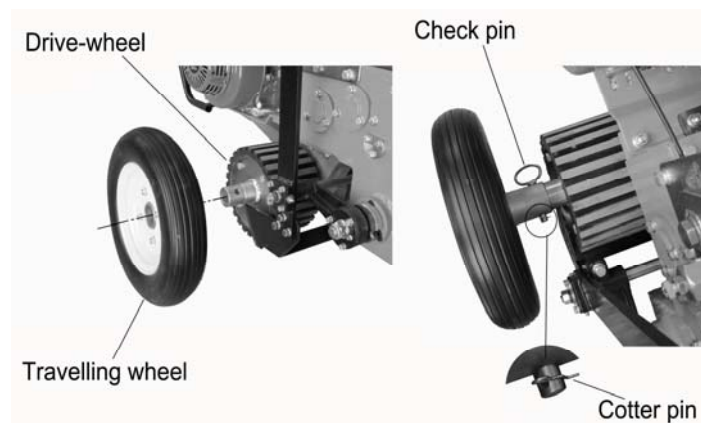


If there is no crane for lifting, make sure that four people lifting the machine are capable of lifting at least 100 lbs/45.36kgs individually!! NEVER ATTEMPT TO LIFT THE MACHINE WITH ONLY ONE or TWO PERSON!!

- Working with partners, lift the unit to the transportation vehicle. ALWAYS use safe lifting techniques to avoid back or muscle injury! Consult your local health and safety organization for tips and best practices for moving heavy machinery.
- Use a heavy-duty trailer or truck to transport the machine. Block wheels and securely fasten the machine to the trailer or truck with straps, chains, cable, or ropes. Be sure that the trailer or truck has all necessary lighting and marking as required by law.
- Secure a trailer with a safety chain.

Transferring the machine with special wheels

For short distance (less than 1000m) transferring from one jobsite to another, tip up the machine to install two 14-inch wheels onto drive wheel spindles, and then insert two check pins into hub holes to lock them.



It is extremely recommended to use a heavy-duty trailer or truck to transport the machine for long distance.

Pre-Operation Procedures

Before using the WEIBANG WBSC457LC Professional Sod cutter, please perform the following procedures for the personal and property safety of the operator and jobsite and for optimal performance.

1). Before operating the sod cutter ensure that it is structurally and mechanically safe by checking the following:

- a. Perform a detailed visual inspection on the machine with particular attention to the following:
 - i. Are there any loose, worn or damaged parts? If so, DO NOT ATTEMPT TO OPERATE THE MACHINE. Make note of required parts, and contact your local dealer for replacement parts and further assistance to service the unit PRIOR to any further use.
 - ii. Is the machine, particularly the blade part, clean and free of debris? Small rocks and other foreign objects can jam machine and cause the unit to malfunction, leading to serious injury to the operator and property damage on the jobsite.
 - iii. Are there any cracks or damage on the engine? Consult with the engine manufacturer's manual for guidelines and instructions on service. DO NOT ATTEMPT TO OPERATE THE MACHINE until engine is refurbished to engine factory standards.
 - iv. Is the blade part disengaged in the traveling state (i.e: raised from the working surface)? Ensure that the blade is securely raised away from the working surface until arrival at jobsite. Moving the sod cutter with the blade in the lowered working position can damage the unit and jobsite.
- b. Inspect the handle for the following:
 - i. Is the handle properly and securely attached to the machine?
 - ii. Is the handle set in the correct operating position?
- c. Consult the "Recommended Maintenance Schedule" section of this manual and verify that:
 - i. The wheels, zerks and carriage are lubricated and in good condition.
 - ii. The blade part is clean and not in need or replacement. Consult the "Maintenance and Service" section of this manual for guidelines and instructions on when and how to change the blade.
 - iii. The drive belt is in good condition and set to the appropriate tension. Consult the "Maintenance and Service" section of this manual for guidelines and instructions on taking care of the belt.

2). Before operating the sod cutter, perform the following environmental checks:

- a. Is the ground where the sod cutter will be operating level and solid? If it is a slope of more than 20% grade, please refer to "cutting sod on Inclined Surfaces" under the "Operation Procedures" section of this manual.
- b. Has the sod been cleared of debris such as string, wire, rocks, metal and other materials? Such items could cause malfunction or damage to the sod cutter that could also be potentially hazardous to the machine and operator.
- c. Are all obstructions such as sprinkler lines, electrical boxes, fences etc. clearly marked?



If any of the above checks fail, please take necessary steps to maintain or repair the unit before operating it in any environment.

CAUTION: Always wear proper safety clothing and equipment for the job. These can and should include eye and ear protection, gloves, dust mask and any other items that are appropriate for the job and jobsite requirements

Pre-Operation Procedures Cont'd

WARNING: Before operating the machine, be sure to read all safety, controls and operating instructions in this Owner's Manual and on decals located on machine.

Server personal injury or property damage could result if this instruction is not followed.

Before starting the machine

1. Read and understood all the sections in this manual.
2. Make sure the oil is the grade recommended by engine manufacturer. (Refer to engine operator's manual)
3. Make sure the gear selecting lever is in neutral position before starting the machine.
4. Make sure the blade is disengaged and set in upper position for traveling before starting the machine.

Operation Procedures

7.1 STARTING AND STOPPING THE ENGINE

DANGER: Do not operate the engine in an enclosed area. Engine exhaust contains carbon monoxide, a deadly gas that is odorless, colorless and tasteless. Always run engine outdoors and make sure there is adequate ventilation.

To start the engine

- 1) Move the machine to a level area.
- 2) Move the engine chock control lever to choke setting to start a cold engine.

WARNING:

To avoid injury, look behind you to be sure there are no obstacles before pulling recoil starter rope.

- 3) To start engine using recoil starter:

A: Stand on left side (as viewed from behind handlebars) of machine.

B: Grasp starter rope handle and pull slowly until rope pulls slightly harder. Let rope rewind slowly. Then pull rope with a rapid, full arm stroke. Let rope return slowly.

C: when engine starts, operate in fast throttle setting (move throttle from choke setting to fast setting slowly to engage the blades).

CAUTION: When you pull the engine starter knob to start the engine, please stop the operation and check the causes in case the engine fails to start in 30 second after repeated starting operation. See trouble shooting.

To stop the engine

1. Move throttle from fast setting to slow position.(Whenever possible, gradually reduce engine speed before stopping engine.)
2. Move the throttle control all the way to stop position.

Operation Procedures cont'd ...

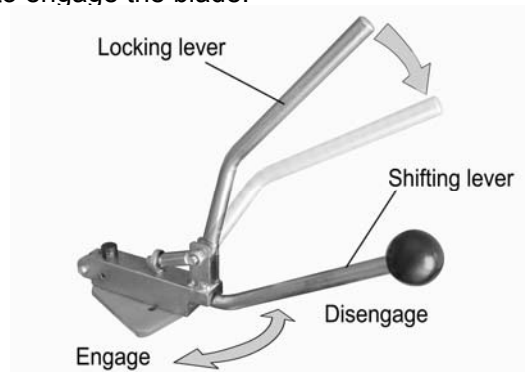
See sod cutter instruction manual for starting, procedure and additional safety instructions before using the machine.

7.2 OPERATION THE MACHINE TO CUTTING SOD

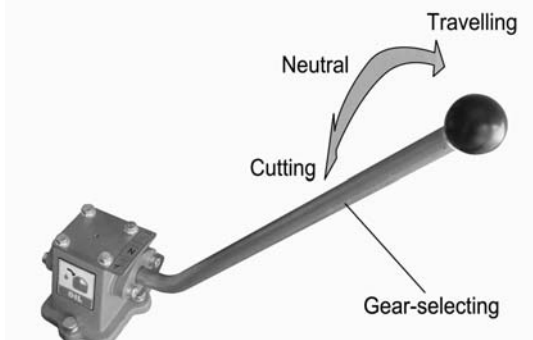
1. Start the engine when the gear box is in neutral.
2. Turn the throttle lever to accelerate the engine till it runs smoothly (idle speed).



3. Lift the handle bar, and then pull the blade-controlling handle back to lower the blade.
4. Pull the belt clutch handle back slowly until the belt is semi engaged, and then turn the Blade-engaging lever to engage the blade.



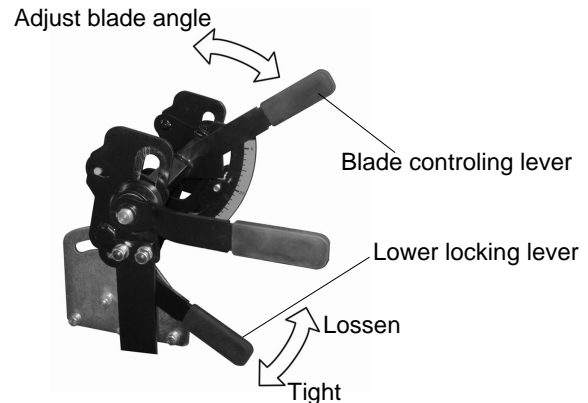
5. Pull the belt clutch handle back slowly until the belt is semi engaged, and then shift the gear selecting lever to engage slow speed gears (rapid speed is only for travelling.)



6. Lift the handle bar, pull the belt clutch handle back to full travel, and then turn the throttle to biggest. Now the machine starts self driving and cutting the sod.
7. Press the handle bar to make the blade cutting into the sod for short distance (about 1m)
8. Disengage the belt clutch by pushing the belt clutch handle forward to stop the machine. Lift the edge of sod cut to check the depth.
9. For adjusting the cutting depth, turn down the throttle and release the belt clutch handle to stop the moving, and then disengage the gear selecting lever and blade engaging lever.

Operation Procedures cont'd ...

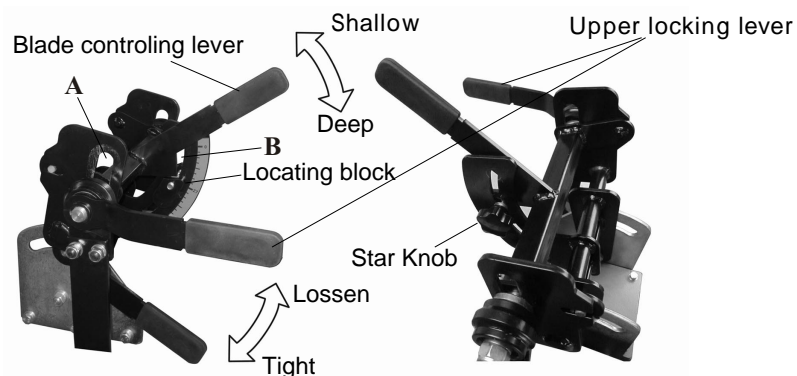
- 9.1. Adjusting blade angle: Turn and release lower locking lever, and then turn blade controlling lever to desired blade angle, then relock lower locking lever.



- 9.2. Adjusting cutting depth:

- 1) For precise adjustment, set blade angle and keep the slot "A" in vertical direction.
- 2) Turn star knob to release the locating block.
- 3) Turn and release upper locking lever.
- 4) Turn the blade controlling lever according to the graduated scale, till to your desired cutting depth, and then relock upper locking lever.
- 5) Slide the locating block along slot "B" to contact the blade controlling lever, and then relock star type knob.

The locating block is used to indicate different cutting depth and lock frequently used position, If you need to change your machine from transporting state to last time operating state, you only need turning the blade controlling lever to contact the locating block and then relock upper locking lever.



10. After adjustment, repeat steps 4-6, and then continue cutting sod. Hold the handle bar firmly to avoid shaking.

11. For turning the machine during traveling, hold the handle bar firmly and lift it until rear wheels raise from the ground.

12. Stopping cutting sod,

- Lift up the handle bar during cutting operation, until the blade moves to sod surface;
- Shift the gear selecting lever to neutral to disengage the driving wheels;
- Shift the blade lever to disengaging position to stop the blade.
- Lift the High-adjustment and turn the Blade-c ontrolling handle to raise blade from working surface.

WARNING: DO NOT CUTTING THE SOD WHEN THE MACHINE IS SET IN HIGH SPEED GEARS.

Operation Procedures cont'd ...

7.3 Notes during operation

1. Start the machine when the gear shifting lever is set in neutral.
2. To select gears successfully, slowly accelerate the throttle and meanwhile swing the selecting lever gently to engage gears completely.
3. Set the gear selecting lever in neutral before stopping the machine.
4. Soil conditions will influence cutting depth. If the cutting movement is from hard soil to soft soil or damp places, the cutting depth should be re-adjusted.
5. Do not cutting sod during U-turn. Stop cutting sod before u-turn.
6. Watering or not before cutting?
 - Usually the sod needs not watering before cutting. But it needs watering appropriately in some especial circumstances (such as very tight clay).
 - A simple way can determine whether the sod needs watering before cutting. Use a shovel, weeding tools, or other test tools to test the soil's stiffness.
 - If the testing tool can be inserted into the soil 5-8cm with a small force, the lawn need not watering, otherwise, the lawn need watering the day before cutting sod, to allow soil having sufficient time to absorb water.
 - Before cutting, use tool to re-test the watering effect and make lawn drying to reduce the resistance of soil.

CUTTING SOD ON SLOPES

WARNING: THIS MACHINE IS NOT DESIGNED FOR USE ON INCLINES OF MORE THAN 20% GRADE.

Cutting sod on inclines will cause the centre of gravity of the unit to shift to the downward side of the machine. The following conditions may occur as a result:

- i. Greater effort and physical exertion may be required to maneuver and control the balance of the machine.
- ii. Uneven cutting results from the shift in gravity leading to downhill blade working at a lower cutting depth than the uphill blade which are working at a higher setting.



IF MACHINE IS USED ON EXTREME INCLINES, THE MACHINE MAY BECOME UNBALANCED TO THE POINT OF PRESENTING THE DANGER OF ROLLING OVER.



Disengage blade from ground only when machine is on a flat surface.
NEVER DISENGAGE BLADE WHEN TRAVELLING UP OR DOWN INCLINES.

2. Consider the following tips for cutting on inclines:

- a. Move machine down hills rather than across hills on the hill for greater control and even cutting. (See above for explanation and Diag.1 below for diagram).The angle of sod cutter like such that it is 20° to the slope.
- b. Try to avoid U-turn on slopes.

Warning: For selecting gears, push the belt clutch handle to front to disengage the gear box and stop machine's moving,

Service And Adjustment

Before any service and adjustments:

1. **Make sure the blade and all moving parts have stopped completely.**
2. **Disconnect cable from the sparkplug and place where it cannot come in contact with plug.**

CAUTION

● Any modifications unauthorized by manufacturers to the machine will lead to the failure of warranty.

● Do not operate the machine until read and understand all enclosed operator's manual.

CAUTION

WEIBANG parts have been designed and manufactured to the highest quality demands for durability and performance of a commercial operation. Always use original spare parts with the logo "WEIBANG" to ensure maximum performance, reliability and service life from your WEIBANG machine.

8.1 ENGINE

ENGINE SPEED

Your engine speed has been preset at the factory. Do not attempt to increase the engine speed, as this may result in personal injury. If you believe that the engine is running too fast or too slow, take your sod cutter to an authorized service centre for repair and adjustment.

THROTTLE CONTROL

If it becomes necessary to adjust or replace the throttle control, see the adjustment section of your engine manual.

CARBURETOR

The carburetor has been preset at the factory and adjustment should not be necessary. However, minor adjustment may be required to compensate for differences in fuel, temperature, altitude or load.

- The air filter must be assembled to the carburetor when running engine.
- Best carburetor adjustment is obtained when fuel tank is $\frac{1}{4}$ full.
- For further information, please see the Adjustment section of your engine manual for further instruction.

Contact your nearest authorized engine service department or your local dealer to maintenance engine and consulting warranty issues.

In case any engine failure during the warranty period, the machine should be sent to authorized engine service department for checking but not disassembled by customers, otherwise it will lead to the warranty invalid.

8.2 SOD CUTTER

● For easier access to cleaning the sod cutter, the machine may be tipped on its engine guard for NO MORE THAN 2 MINUTES. Engine damage may result from gasoline flowing into the crankshaft due to prolonged tipping. Refer to the engine operator's manual and maintenance instructions.

● The sod cutter can be tilted forward in 30 seconds, by lifting up the handle bar. Engine damage may result from gasoline flowing into the engine's cylinder due to prolonged tipping. Refer to the engine operator's manual and maintenance instructions.

Storage

When sod cutter is to be stored for a period of time, clean it thoroughly, remove all dirt, grease, leaves, etc. Store the sod cutter in a clean and dry place.

1. Clean the entire sod cutter (See "CLEANING" in the customer Responsibilities section of this manual)
2. Lubricate as shown in the Customer Responsibilities section of this manual.
3. Be sure that all nuts, bolts, screws and pins are securely fastened. Inspect moving parts for damage, breakage and wear. Replace if necessary.
4. Touch up all rusted or chipped paint surfaces; sand lightly before painting.
5. Apply some grease or anti-rust paint on the blade surface will inhibit rusting.
6. Store the machine out of children's access and in a covered or indoor storage area for increased protection and longevity. Ensure that the area in which the machine will be stored is well-ventilated and free of any potential fire hazards such as open flames, gas appliances, furnaces, water heaters, and other appliances.
7. Store unit in transport position (see "Transporting the WBSC457LC" in "Operation Procedures" section)

FUEL SYSTEM

IMPORTANT: DURING STORAGE, IT IS IMPORTANT TO PREVENT GUM DEPOSITS FROM FORMING ON ESSENTIAL SYSTEM PARTS, SUCH AS THE CARBURETOR, FUEL FILTER, FUEL HOSE OR FUEL TANK. EXPERIENCE ALSO INDICATES THAT ALCOHOL BLENDED FUELS, ALSO CALLED GASOHOL, OR THE USE OF ETHANOL OR METHANOL, CAN ATTRACT MOISTURE WHICH LEADS TO SEPARATION AND THE FORMATION OF ACIDS DURING STORAGE. ACIDS CAN DAMAGE THE FUEL SYSTEM OF AN ENGINE WHILE IN STORAGE.

- Drain the fuel tank.
- Start the engine and let it run until the fuel lines and carburetor are empty and dispose of it in a safe, responsible manner.
- Never use engine or carburetor cleaning products in the fuel tank, as permanent damage may occur.
- Refill the fuel tank with fresh fuel at the start of next season.

NOTE: Fuel stabilizers are an acceptable alternative for minimizing the formation of fuel gum deposits during storage. Add stabilizing agents to the petrol in fuel tank or storage container. Always observe the mixing ratio found on stabilizer container. Run the engine for at least 10 minutes after adding a stabilized fuel, to allow the stabilizer to reach the carburetor. Do not drain the gas tank and carburetor if using stabilizer.

Drain oil (while engine is warm) and replace with clean engine oil (see "ENGINE" in the CUSTOMER RESPONSIBILITIES section of this manual).

CYLINDER

- Remove the sparkplug.
- Pour (29 ml) oil through the sparkplug hole into the engine cylinder.
- Pull the starter handle slowly a few times to distribute the oil.
- Replace with new sparkplug.

Storage Cont'd

OTHER

- Do not store petrol from one season to another.
- Replace your petrol can if your can starts to rust. Rust and/or dirt in your petrol will cause problems.
- If possible, store your sod cutter indoors and cover it to give protection from dust and dirt.
- Cover your sod cutter with a suitable protective cover that does not retain moisture. Do not use plastic. Plastic cannot breathe which allows condensation to form and will cause your Chipper/shredder to rust.

IMPORTANT: NEVER COVER THE MACHINE WHILE ENGINE AND EXHAUST AREAS ARE STILL WARM.

CAUTION: Never store the lawnmower with petrol in the tank and inside a building, where fumes may reach an open flame or spark. Allow the engine to cool before storing in any enclosure.

Maintenance Procedures

CUSTOMER RESPONSIBILITIES

This section encompasses two general types of maintenance: 1. Preventative Maintenance and 2. General Service. The first refers to regularly scheduled routine care of the sod cutter, such as cleaning and lubrication. The second provides information on common procedures, such as changing blade, and adjusting the drive belt that are to be performed as needed.

By following the Inspection Schedule below BEFORE and AFTER each use of the sod cutter, appropriate actions can be taken to extend the service life of the machine and reduce any costly repairs and unnecessary downtime for the unit.



All service should be performed by trained technicians.

10.1 Inspection Schedule

The following list aims offer some basic guidelines to performing a detailed inspection BEFORE and AFTER each use. Certain checks will require some disassembly, i.e. the removal of the drive guard, to perform. Depending on various environmental conditions and frequency of use, other inspection points may have to be added for each machine.

Item	Yes	No
Is the engine oil filled to recommended levels? Consult Engine Manufacturer's Manual.		
Is the engine air cleaner properly attached and clean? Consult Engine Manufacturer's Manual.		
Is the transmission gear oil on needed oil level? Consult the relevant sections of gearbox in this manual.		
Are throttle cable and clutch cable properly attached? Refer to "Setting up the sod cutter" for details.		
Are throttle cable and clutch cable worn or visibly damaged? Replace if necessary.		

Is the drive belt tension set properly? Refer to “Replacing Drive V-Belt and Pulley” for details.		
Does the drive belt show signs of wear and tear? Replace if necessary.		
Is the blade & rotor assembly in good condition? Are any blade worn down to minimum length of 3”/7.6 cm? If so, have they been replaced?		
Are the safety warning labels and other decals clearly identifiable and legible? If not, ensure that fresh decals will be re-applied prior to use for operator safety.		
Is the frame and handle in good condition with no visible damage or rusting? If not, contact local dealer to replace machine prior to further use.		
Are all fasteners in good working condition? Tight all loosen fasteners.		
Does the machine run with excessive vibration? If so, please contact your dealer for solutions.		

10.2 Preventative Maintenance Procedures

Maintaining a regular cleaning and lubrication schedule as well as taking time to perform preventative maintenance procedures will prolong the service life of the sod cutter. The following are guidelines to setting up a regular maintenance routine for the sod cutter.

1. Cleaning the WBSC457LC

Regular cleaning will help extend the service life of the machine.

- i. After each use, the sod cutter, in particular the blade should be cleaned. Scrape the bottom of gear box and blade to remove accumulations of leaves or trash.
- ii. Clean the engine often, to keep trash from accumulating. A clogged engine runs hotter and shortens engine life.
- iii. **We do not recommend using a garden hose to clean the sod cutter, unless the electrical system, muffler, air filter and carburetor are properly covered to keep out water. Water in the engine can result in a shorter engine life.**

Take care when using a power pressure washer to clean the unit, and avoid damaging any safety or operating instruction decals. Avoid directly spraying bearings, chains or engine. **DO NOT USE ANY MACHINE RATED HIGHER THAN 1000 PSI.**

- iv. Beware of damaging any warning decals and labels, as well as the drive belt, bearings and engine. Limit direct spray on these objects to help prevent their wear and tear.
- v. For easier access to cleaning the sod cutter, the machine may be tipped on its engine guard for **NO MORE THAN 2 MINUTES**. Engine damage may result from gasoline flowing into the crankshaft due to prolonged tipping.

2. Lubrication Schedule

Regularly scheduled lubrication of the wheels, blade & rotor assembly, and linkage joints in the carriage is essential to smooth performance and extended equipment life. The following schedule is a recommended guide to lubricating your WBSC457LC. The schedule should be adjusted for various environmental conditions and frequency of use.

Item	Suggested Lubricant	Every 20 hours	Every 60 hours	As required	After each Pressure wash	Storage
Engine	Refer to Owner's Manual for Engine			✓		
Gear box	Replace oil			✓ 200 hours		
Wheels	Lithium-based Grease		✓	✓	✓	✓
Handle Attachment Kits	General Purpose Spray Lubricant	✓		✓	✓	✓
Blade & Rotor	General Purpose Spray Lubricant			✓	✓	✓
Linkage	General Purpose Spray Lubricant	✓		✓	✓	✓
Zerks	General Purpose Spray Lubricant			✓	✓	✓
Blade control group	General Purpose Spray Lubricant		✓			✓



Technician should read and thoroughly understand all manuals pertaining to the machine to be serviced. Do NOT proceed with any service and maintenance activity until ALL questions and concerns have been addressed. Please call your local dealer for technical support and advice.



ALWAYS consult and verify that all local codes and bylaws are followed before performing any service or maintenance procedures.

10.3 General Service Procedures

10.3.1 General safety procedures

Before performing any service and maintenance procedures, consult these general safety procedures for a safe working environment.

1. Make sure that both the engine and sod cutter are cool prior to any service or maintenance work.
2. Verify that work area is clean and free of any debris, tripping or fire hazards, and other potential sources of danger.
3. Always wear proper safety clothing and equipment for the job. These can and should include eye and ear protection, gloves, dust mask and any other items that are appropriate for the job and jobsite requirements.
4. Ensure that the technician has tied back or remove any loose hair, clothing and any other potential hazards and obstructions
5. Disconnect spark plug.

The following are general guidelines for servicing common wear components on the WBSC457LC sod cutter. ALL MAINTENANCE AND SERVICE WORK MUST BE PERFORMED

Maintenance Procedures cont'd ...

BY A TRAINED AND EXPERIENCED TECHNICIAN. Ensure that the work area is clean and free of debris prior to starting any maintenance or service work. Small particles may become trapped in key components that may lead to serious damage to the machine and cause severe bodily harm to the operator or technician.



Use WEIBANG brand-name parts for compatibility and optimum performance. Use of any other parts prior to consulting with your local dealer will void all warranties expressed herein.

10.3.2 Pre-maintenance

1. When this equipment is stopped for servicing, inspection, storage, or to make adjustments, make sure the spark plug wire is disconnected from the spark plug. Also, make sure the engine has cooled down before you make any inspections, adjustments, etc.
2. Use only original WEIBANG replacement parts. Parts from other manufacturers could be dangerous during operation even though they may appear to fit properly.
3. There are two grease zerks that need periodic greasing: there is one zerk located on the right side bearing housing, and one on the left side bearing housing, (as viewed from behind handlebars) grease these locations every 50 hours of use or as needed.
4. Make certain all safety decals on this equipment are kept clean and in good condition. The decals are shown (at reduced sizes) before. All decals are available for replacement except that with the serial number of the unit for each number serves as a unique identifier for warranty and support purposes. If you need a replacement decal, please call your dealer for re-ordering.

WARNING: Do not leave machine unattended or attempt any inspection or service unless the engine is stopped. Remove spark plug wire from spark plug. Allow machine to come to a complete stop.

General recommendations

The warranty on this sod cutter does not cover articles that have been subjected to operator abuse or negligence. To maintain a complete coverage by the warranties provided, the operator must maintain the sod cutter as instructed in this manual. For a proper maintenance of your sod cutter, some adjustments will need to be made periodically. All adjustments in the Service Adjustments section of this manual should be checked at least once each season.

- Replace the sparkplug, clean or replace the air filter element and check blade(s) for wear once very year. A new spark plug, and a cleaned or new air filter element, assures a proper air-fuel mixture and helps your engine run better and last longer.
- Observe the maintenance schedule in this manual.

WARNING: MAKE SURE DO CARRY OUT ALL MAINTENANCE AND SERVICE WORKS WHILE THE ENGINE IS STOPPED.

10.3.3 Maintenance contents

BEFORE EACH USE

- Check engine oil liquid level.
- Check for loose screws, nuts, bolts or fasteners.

Maintenance Procedures cont'd ...

LUBRICATION

- Assure a proper lubrication of your chipper/shredder (See "LUBRICATION CHART").

SOD CUTTER

- Always observe safety regulations when performing any maintenance or service works.

TYRES

- Do not expose tires to petrol, oil, or insecticides or other chemicals, which can cause damage to rubber parts.
- Avoid stumps, stones, deep ruts, sharp objects and other hazards that may cause tire damage.

SHARPENING THE BLADE

Bad cutting effect means the cutting blade have become dull and need re-sharpening.

NOTE: We do not recommend sharpening blade;

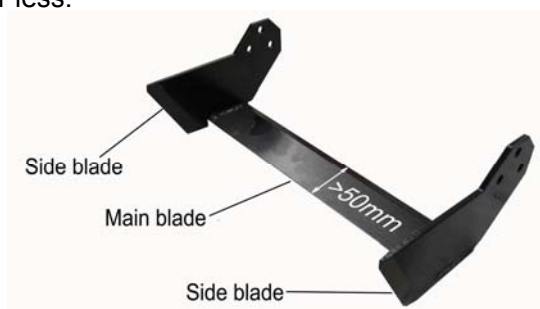
IMPORTANT: Professional sharpening services or your authorized dealer is equipped to sharpen blades safely.

- When working near blades, wear heavy leather gloves to protect yourself from the sharp edges.
- Wear eye protection when sharpening blades.
- The blade can be sharpened with a file or on a grinding wheel. Do not attempt to sharpen the blade while attached to the sod cutter.
- When the blade is sharpened with a grinding wheel, please pay attention to cooling the grinding area of the blade with cold water.

Please contact your local dealer for technical support.

REPLACING THE CUTTING BLADE

- Rapid wear of the blade depends on the soil conditions. Replace with new blade in case the blade wears to 5 cm width or less.



- Replace with new blade in case the lowest edge or the surface of the blade is damaged.
- Contact your nearest authorized service department or your local dealer to order original spare parts and ask for service.

NOTE: Protect your hands with gloves.

ADJUSTING THE DRIVE BELT

Check the drive belt regularly. The V-belt is a normal wear and tear item. Please adjust the V-belt in case they have been worn excessively.

Do not proceed with drive belt adjustment until engine is cool. Do not adjust drive belt

Maintenance Procedures cont'd ...

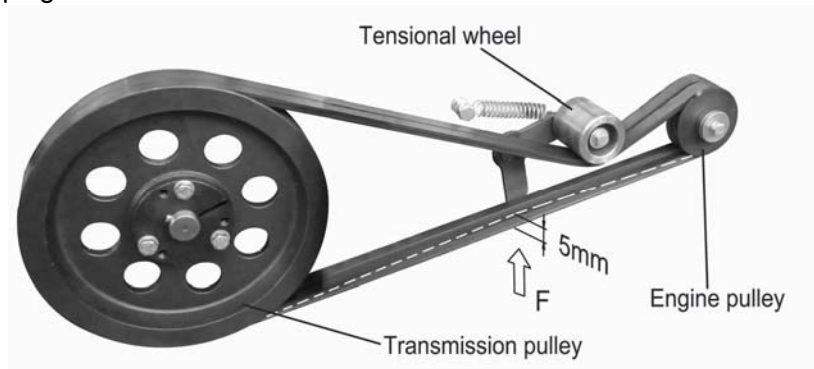
until engine has been disabled. Switch off engine and then remove spark plug wire. Be sure to wear personal protective equipment.

Do not let the drive belt is too loose!

Adjust the relative position of cable screw tube attached to the cable bracket to improve the transmission effect, in case the drive belt is too loose when the tensional pulley is engaging.

If the drive belt is still too loose when the tensional pulley is engaging, adjust engine's position as follows:

- i. Remove belt guard bolts, spacers, and outer belt guard (see Figure 16)
- ii. Loosen engine's mounting hardware.
- iii. Move the engine forward to desired position. Check the tension at the center of the span on the bottom side of the lower half of the belt when the tensional wheel is engaging, and insure the belt will deflect 3/16" (about 5mm) with 13 pounds (about 6kg) of pressure applied to it.
- iv. Check alignment of pulleys with a straight edge (see Figure 19)
- v. Once proper tension and alignment are achieved, (see Figure 18). Tighten all engine-mounting hardware.
- vi. Reassemble outer belt guard, spaces, and belt guard hardware. Tighten securely. Reconnect spark plug wire.



New belts have a break-in period and must be checked after 15 hours of use.

We do not recommend adjusting or replacing the drive belt by customers. Please contact local Authorized Service Centre or WEIBANG's exclusive national distributor to complete this work or for details.

REPLACING DRIVE V-BELT AND PULLEY

- 1). Remove belt guard bolts, spacers, and outer belt guard (see Figure 16)
- 2). Remove old v-belt and both the 3"V-pulley and 10" V-pulley.
- 3). Discard belt and inspect both pulleys and belt keeper kit for any wear or damage. Pivot arm should be free with no more than 0.25"/0.635 cm side play. Roller bearing should rotate smoothly and freely. Replace complete kit if necessary.
- 4). Check that both 10"and 3"pulleys are aligned with each other. Install new v-belt by looping over 6.8"v-pulley on the bottom, then over 3"v-pulley on top. Ensure that belt is in proper position inside both belt idler and keeper. (Fig.7 & 8).
- 5). Replace belt guard, reconnect spark plug wire and reattach handle prior to operation.

We do not recommend replacing the drive belt or pulleys by customers. Please contact

Maintenance Procedures cont'd ...

local Authorized Service Centre or WEIBANG's exclusive national distributor to complete this work or for details.

ENGINE

Read the Maintenance section of your engine manual.

LUBRICATION

Use only high quality detergent oil, which has an API service classification of SF-SJ. Select the oil's SAE viscosity grade according to your expected operating temperature.

NOTE: Although multi-viscosity oils (5W30,10W30 etc.) improve starting in cold weather, these multi-viscosity oils will result in increased oil consumption when used above 0° C (32° F). Check your engine oil level more frequently to avoid possible engine damage from running low on oil. Change the oil after every 25 hours of operation, or at least once a year if the chipper/shredder is not used for 25 hours in one year. Check the crankcase oil level before starting the engine and after each five (5) hours of continuous use. Retighten the oil plug securely each time you check the oil level.

LUBRICATION CHART

SAE VISCOSITY GRADES

LEVEL								
	← 5W-30			→ SAE30				
° F	-20°	0°	30°	32°	40°	60°	80°	100°
° C	-30°	-20°	-10°	0°	10°	20°	30°	40°
Temperature range anticipated before next oil change.								

CHANGING ENGINE OIL

1. Disconnect sparkplug cable from sparkplug and place the cable where it can not come into contact with sparkplug.
2. Remove engine oil cap; lay aside on a clean surface.
3. Remove the drain plug on the bottom of the engine and drain oil into a suitable container. Grasp starter rope handle and pull slowly to rotate the crank shaft and remove any oil trapped inside of engine.
4. Reassemble and fasten the drain plug. Wipe off any spilled oil from the engine.
5. Refill engine with the recommended lubricant. See "ADD OIL" in the Operation instructions section of this manual.
6. Reconnect sparkplug cable to sparkplug.

CAUTION: Disconnect sparkplug cable from the sparkplug and place wire where it cannot come into contact with sparkplug.

Maintenance Procedures cont'd ...

AIR FILTER

Your engine will not run properly and may be damaged by using a dirty air filter. Clean the element after every 25 hours of operation, or more often if chipper/shredder is used in very dusty or dirty conditions. See the Maintenance section of your engine manual.

MUFFLER

Inspect the muffler regularly and replace a corroded muffler, as it could create a fire hazard and/or cause damages.

SPARKPLUG

Change your sparkplug each year to make sure your engine starts more easily and runs better. Set the sparkplug gap at 0.7-0.8 mm.

Troubleshooting

Troubleshooting

Often, small problems can occur in daily operation of any machine. The following troubleshooting guide aims to address common issues and offer suggestions on how to correct such problems.

Please review this guide before requesting service. Small problems can often be fixed simply by following these guidelines. If there are any further questions or concerns, please do not hesitate to contact your local dealer for assistance!

Problem	Suggested solutions
Blade connecting rod broken	<ol style="list-style-type: none"> 1. Clean and make sure the drive shaft or transmission structure is free of any winding material. 2. Contact your local dealer
The blade still cutting after shifting to disengaging	Contact your local dealer
The blade does not working	<ol style="list-style-type: none"> 1. Make sure the blade is engaging 2. Check the belt tensional pulley system and adjust it on request. 3. Check the belt is in good place and no winding, make sure the belt is properly tensioned. 4. Check the clutch cable is in good place or adjusting it on request. 5. Contact your local dealer
Excessive vibration Poor cut- uneven	<ol style="list-style-type: none"> 1. Check if the rear wheel bracket, handle bar and spring are assembled properly, if all fasteners is tightened securely. Adjust any components on request. 2. Check if the blade-controlling handle is properly set and if the blade components are loosen and need readjusting. 3. Make sure the machine has select low speed gear for cutting. 4. Make sure all locking lever locked securely.

	<ol style="list-style-type: none"> 5. Blade is blunt or deformed, Contact your local dealer for re-sharpen details or replacement. 6. Check the belt and tensional state, adjust on request. Important: switch off the engine until the machine come to a completely stop.
Transmission belt excessive wore or damage	<ol style="list-style-type: none"> 1. Check alignment of engine pulley and gearbox pulley and adjust the position of big pulley on gearbox and re-lock it. 2. Check if the belt tensioner is assembled securely and properly adjusted. Adjust the tensioner or clutch cable to improve the wear. You can also change the engine position on machine chassis on request to improve the wear. 3. Contact your local dealer
Blade can not work well	<ol style="list-style-type: none"> 1. Check if the belt is assembled securely and adjust it on request. 2. Check belt tensioner and replace it on request. 3. Check belt pulley 4. Belt damaged. Replace with new belt from WEIBANG. 5. Make sure the machine has select low speed gear for cutting. 6. Check if the rear wheel bracket and spring are assembled properly, if all fasteners is tightened securely. Adjust any components on request.
Belt fall off	<ol style="list-style-type: none"> 1. Adjust belt tensional pulley 2. Check the belt tensioner and replace with new one, please contact you local dealer and ask for service.
Bolt is loosen or damaged	<ol style="list-style-type: none"> 1. Machine vibration will cause to loosen, regularly check and tighten all bolts. 2. Only use high strength lock nut or bolt (8.8grade) for wheel shaft
Tires wear excessively	<ol style="list-style-type: none"> 1. Make sure the gearbox is set in slow speed gears during cutting sod. 2. Tire wear is normal and expected. The machine walks on too hard or rough surface will increase the wear. Contact you local dealer and ask for service.
Can not shift the gear selecting lever fluently.	<ol style="list-style-type: none"> 1. Adjust the shifting spring in gearbox, 2. Shifting spring is damaged, replace it with new one from WEIBANG 3. The controlling structure of gear selecting lever is damaged, replace it with new one from WEIBANG <p>Please contact your local dealer for service.</p>



ALWAYS MAKE SURE THAT THE MACHINE IS TURNED OFF AND ON STABLE GROUND PRIOR TO PERFORMING ANY SERVICE OR TROUBLESHOOTING PROCEDURES.

Service

Exploded views and information on spare parts can be found under:

www.weibangusa.com

WEIBANG Warranty Statement

WEIBANG GARDEN MACHINE COMPANY LIMITED guarantees all WEIBANG sod cutter to be free from any manufacturer's defects in material and workmanship for a period of 1 year from the date of purchase. This warranty is exclusive of the engine (please consult the accompanying engine manual with your unit for details), and any normal wear and tear and/or consumable parts, such as, but not limited to, flails, spacers, clutch, clutch lining, drive belt, and throttle cable. All normal wear and tear and/or consumable parts are protected from manufacturer's defects in material and workmanship for a period of thirty (30) days from the date of purchase.

Weibang Warranty Summary

1. WEIBANG Professional Sod Cutter Unit
2. Belt and tire
3. WEIBANG normal wear and tear parts
or consumable parts
4. Engine

Protection

1year parts and labour
90 days parts and labour

30 days parts and labour

Consult with engine manufacturer

To make a warranty claim within this time period, please contact WEIBANG'S local dealer or WEIBANG's exclusive national distributor, who will advise the validity and claim procedure. Once the claim has been accepted, if it is needed, the unit and/or parts should be shipped to the specified Authorized Service Centre at the customer's expense. Be sure to securely pack the unit and parts in a strong container. Damage in transit is not covered by this warranty.

Warranties expressed in this document are void if repairs are attempted by anyone other than an Authorized Service Centre or WEIBANG's exclusive national distributor, or if the unit has been modified from original factory design in any way. This warranty is expressly conditional upon the customer's compliance with all precautions and instructions contained in this manual and excludes any claims made as a result of abuse, neglect, accident, normal wear and tear and misuse. This warranty is nontransferable.

Address: 775 Glenn Ave, Wheeling, IL 60090

Visit our website: weibangusa.com