

# Bali® Vertical Blinds



Product Information Guide and Price List for  
**fabric and vinyl vertical blinds**  
United States  
**September 2015**

 **Bali**<sup>®</sup>  
your home, your style

## Table of Contents

<b>Blind Features and Size Considerations</b>	
Sheer Enchantment® Vertical Blinds Summary . . . . .	3
Vane Styles and Information: Sheer Vertical Blinds . . . . .	3
Fabric and Vinyl Vertical Blinds Summary . . . . .	4
Vane Styles and Information: Fabric Vertical Blinds, Vinyl Vertical Blinds . . . . .	4
Installation Types . . . . .	5
Vane Features . . . . .	6
Size Considerations . . . . .	7
<b>Blind Options</b>	
Summary, Headrail System Options . . . . .	8
Control Options, Stacking Options . . . . .	9
Cut-out Blinds, Bottom Chain . . . . .	10
Stay Clear™ Channel Panel for Fabric Vanes, Paired Blinds, Replacement Vane Ordering . . . . .	11
Sheer Enchantment Hem Style, Cut Yardage, Dauphine® Valance . . . . .	12
Round-corner Valance, Square-corner Valance, Wood Valance and Cornices . . . . .	13
Installation Hardware, Mounting Brackets . . . . .	14
Bay and Corner Windows . . . . .	15
Specialty Shapes: Curved Headrail Blinds . . . . .	16
Specialty Shapes: Angled Window Headrail . . . . .	17
<b>General Information</b>	
Sheer Enchantment Vane Stacking Chart: Outside Mount, Inside Mount . . . . .	18
Sheer Enchantment Suggested Color Coordination . . . . .	19
Fabric and Vinyl Vertical Vane Stacking Chart: Magnum™ G-98 and How to Measure for Uncovered Windows . . . . .	20
Fabric and Vinyl Vertical Vane Stacking Chart: DuraLite™ G-85 . . . . .	21
Fabric and Vinyl Vertical Vane Stacking Chart: One Touch® Control for Magnum and DuraLite . . . . .	22
Sheer Enchantment Product Detail . . . . .	23
Magnum™ G-98 Headrail Product Detail . . . . .	24
DuraLite™ G-85 Headrail Product Detail . . . . .	25
Warranty . . . . .	26
<b>Price Charts and Option Pricing</b>	
Price Group A: Vinyl: Foundations, Stucco . . . . .	27
Price Group B: Vinyl: Americana, Channel Panel, Nevada, Parisian, Quinn . . . . .	28
Price Group C: Vinyl: Alexandria, Dazzle, Premium Faux Wood, Sequoia S-Shaped: Quatico Fabric: Cascade, Shoreline, Spencer . . . . .	29
Price Group D: Vinyl: Estate, Laguna, S-Shaped: Lighthouse, Pembroke, Presidential Fabric: Linen, Thatch . . . . .	30
Price Group E: Vinyl: Dorado S-Shaped: Buckskin Fabric: Monroe, Runway, Tufted . . . . .	31
Price Group F: Fabric: Fiddlestix, Keepsake, Panorama . . . . .	32
Price Group G: Sheer Fabric: Illuminate, Impressions II . . . . .	33
Price Group H: Sheer Fabric: Akbar, Edon, Kobe . . . . .	33
Replacement Pricing . . . . .	34
Options Pricing . . . . .	35

## Sheer Enchantment® Vertical Blind Features

With flowing sheer material layered over room-darkening vinyl vanes, Bali Sheer Enchantment® Vertical Blinds offer the best combination of comfort and control. Plus, Sheer Enchantment fabrics are easily removed and machine washable.

- Fabric easily installed and removed - no need to take down entire blind
- Easily replace original fabric with different style or color when décor changes
- Fabric is machine washable
- Color-coordinated snaps and thread for a finished appearance
- Heavy-duty aluminum headrail with stainless steel pantograph system ensures smooth operation, and proportional spacing of vanes
- Available as both inside and outside mount
- Cord and chain control only
- Stems are removable for easy replacement in the home

Vane Styles and Information: Sheer Vertical Blinds			
Collection Name	Price Group	Color to Streetside	Light Control
<b>Sheer</b>			
Akbar	H	Same front and back	Sheer/Room Darkening
Edon	H	Same front and back	Sheer/Room Darkening
Illuminate	G	Same front and back	Sheer/Room Darkening
Impressions II	G	Same front and back	Sheer/Room Darkening
Kobe	H	Same front and back	Sheer/Room Darkening

### Light Control Levels

**Sheer:** Allows light to enter the room where light control and privacy are not a concern. Objects in the room can be seen quite clearly through blinds.

**Room Darkening\*:** Significantly dims light entering the room. Deeper fabric colors offer more light control and moderate privacy.

**\*These fabrics are translucent and their colors may be influenced by changing light conditions. Colors may appear to vary depending upon the time of day and type of lighting, as well as whether the shade is partially or fully closed or open.**

## Fabric and Vinyl Blind Features

- Choose from a variety of Crown or S-shaped vinyl vanes
- Many vinyl styles coordinate with Bali® 2" Custom Vinyl Horizontal Blinds
- Choose fabric vanes for a softer look; insert into channel panel for more light control and privacy
- Several fabric styles coordinate with Bali Pleated Shades and Bali Roller Shades
- Choice of headrails

Vane Styles and Information: Fabric and Vinyl Vertical Blinds						
Collection Name	Price Group	Color to Streetside	Light Control	Available With Channel Panel	Flame Resistant NFPA701	Coordinates With
<b>Fabric</b>						
Cascade*	C	Same front and back	Sheer/Light filtering	Yes		Roller Shades
Fiddlestix*	F	Same front and back	Light filtering	Yes		Roller Shades, Pleated Shades
Keepsake*	F	White	Room Darkening			
Linen*	D	Neutral	Light filtering	Yes		Roller Shades
Monroe*	E	Same front and back	Sheer/Light filtering	Yes		
Panorama*	F	White	Room Darkening			Roller Shades
Runway	E	Same front and back	Light filtering/ Room Darkening	Yes		Roller Shades
Shoreline*	C	Same front and back	Sheer/Light filtering	Yes		Roller Shades
Spencer**	C	Same front and back	Light filtering	Yes	Yes	Pleated Shades
Thatch*	D	Neutral	Light filtering	Yes		Roller Shades
Tufte*	E	Same front and back	Sheer/Light filtering	Yes		Pleated Shades
<b>S-Shaped Vinyl</b>						
Buckskin	E	Neutral	Room Darkening		Yes	2" Vinyl
Lighthouse	D	Neutral	Room Darkening		Yes	
Pembrook	D	Neutral	Room Darkening		Yes	2" Vinyl
Presidential	D	Neutral	Room Darkening		Yes	2" Vinyl
Quatico	C	Neutral	Room Darkening		Yes	2" Vinyl
<b>Crown Vinyl</b>						
Alexandria	C	Neutral	Room Darkening		Yes	
Americana	B	Same front and back	Room Darkening		Yes	2" Vinyl
Channel Panel	B	Same front and back	Room Darkening	Yes		
Dazzle	C	Neutral	Room Darkening		Yes	2" Vinyl
Dorado	E	Neutral	Room Darkening		Yes	
Estate	D	Neutral	Room Darkening		Yes	
Foundations	A	Neutral	Room Darkening		Yes	2" Vinyl
Laguna	D	Neutral	Room Darkening		Yes	
Nevada	B	Neutral	Room Darkening		Yes	
Parisian	B	Neutral	Room Darkening		Yes	
Premium Faux Wood	C	Same front and back	Room Darkening		Yes	Premium Faux Wood
Quinn	B	Neutral	Room Darkening		Yes	
Sequoia	C	Neutral	Room Darkening		Yes	2" Vinyl
Stucco	A	Neutral	Room Darkening		Yes	

\*Oeko-Tex fabric (see page 5)

\*\*Flame Resistant NFPA 701(see page 5)

### Light Control Levels

**Sheer:** Allows light to enter the room where light control and privacy are not a concern. Objects in the room can be seen quite clearly through blinds.

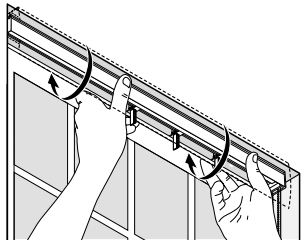
**Light Filtering\*:** Gently diffuses incoming light to provide some light control and moderate privacy.

**Room Darkening\*:** Significantly dims light entering the room. Deeper fabric colors offer more light control and moderate privacy.

**\*These fabrics are translucent and their colors may be influenced by changing light conditions. Colors may appear to vary depending upon the time of day and type of lighting, as well as whether the shade is partially or fully closed or open.**

## Blind Features

### Installation Types

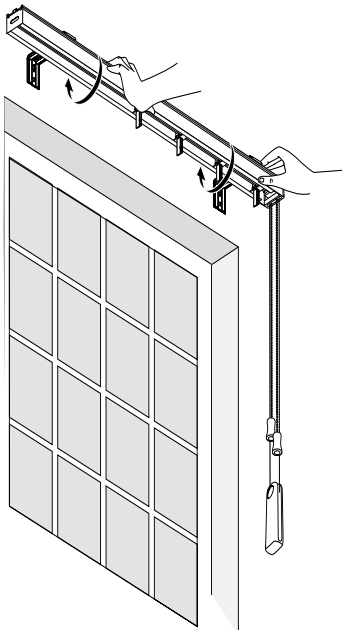


**1. Inside Mount – Ceiling or Top of window Frame (Standard)**

Up to a 5/8" manufacturing height deduction is taken for blinds being installed as inside, ceiling mount without a valance.

**2. Inside Mount – Wall or Back of Window Frame**

A 1 1/8" manufacturing height deduction is taken for blinds being installed as inside mount using the L-bracket for a wall mount. An additional 1/4" manufacturing height deduction is taken if a valance is included, to accommodate the height of the valance clip.



**3. Outside Mount – Wall or Back (Standard)**

No manufacturing height deduction is taken.

**4. Outside Mount – Ceiling or Top (Option)**

No manufacturing height deduction taken.

### Oeko-Tex Standard 100 Certified Fabrics

Oeko-Tex Standard 100 certifies that our fabrics are free of PVC, halogen, lead, formaldehyde, allergenic dyes, pesticides, phenols, heavy metals and meet all VOC content limits.

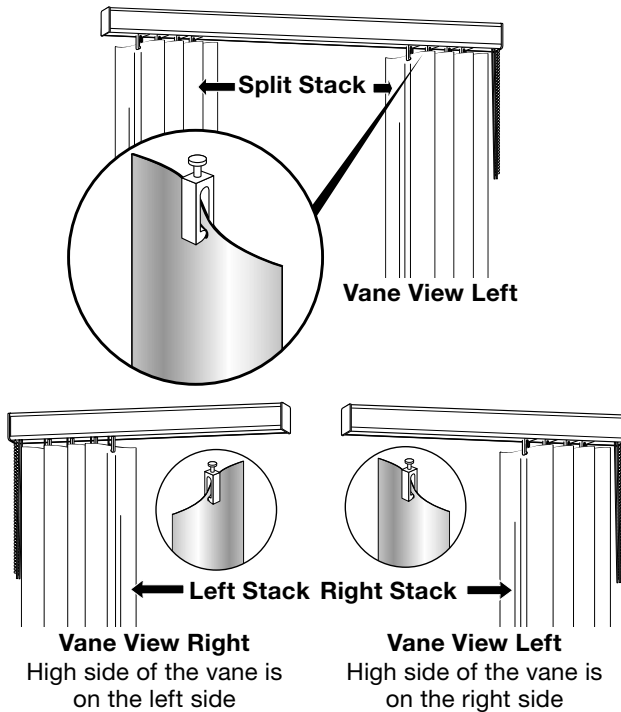
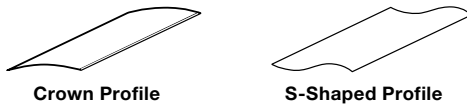


### NFPA 701

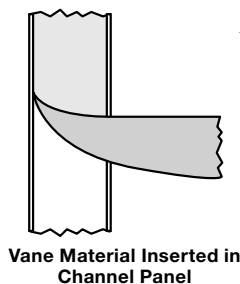
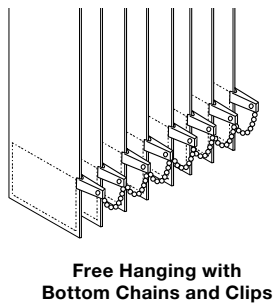
NFPA 701 Flame resistance test, the standard method of fire tests for flame propagation of textiles and films by the National Fire Protection Agency.

## Blind Features

### Vane Features



**Vane View:** Side the color or texture is facing when vanes are rotated open so you can see through the vanes to the street.



### Vinyl Styles

- All vinyl vanes offer value, durability, easy cleaning and superior light control
- Choose from embossed or smooth crown or S-shaped
- Embossed vinyl vanes
- Embossed textures offered in solids or prints with the look of jacquard or linen fabrics, wood or stucco
- Coordinating 2" Horizontal Vinyl blinds available for many styles. For pricing on 2" Horizontal Vinyl, see the Bali 2" Horizontal Vinyl Price List

### Vinyl Crown Vanes

- Traditional curved vanes

### Vinyl S-shaped Vanes

- Provide a more drapery like look to your vertical blind
- Provide better closure for more light control and privacy
- Valances are made with Crown PVC of the same texture and color. Dye lot cannot be guaranteed
- S-shaped vanes are not reversible. You must order either right or left vane view. Our recommendation for vane view (which side the color/texture is facing when vanes are rotated open so you can see through the vanes out the window) is:
  - Right Stack and Split Stack – Left
  - Left Stack – Right
- For Paired, Bay or Corner Blinds, all blinds need to be ordered with the same vane view

See illustrations on how S-shaped vanes will hang.

### Fabric Vanes

- Designer fabric vane styles range from sheer to room darkening in a variety of weaves and materials
- Free-hanging vanes come with sewn-in bottom weights and optional chain and clips
- For increased privacy and room darkening, fabric vanes can be inserted into Stay Clear™ Channel Panels. The clear edge channels hold fabric securely and will not yellow over time. The opaque vinyl vanes provide additional privacy and light control. See Price Chart B for replacement pricing
- Coordinating Bali Pleated, Roller Shade fabric and Bali Sliding Panels are available for selected styles
- Available in 3½" fabric styles

### Additional Information



1. Due to the nature of vane materials (both fabric and vinyl prints), colors may vary slightly from dye lot to dye lot. Exact matches cannot be guaranteed.
2. Due to the random design of some vane patterns, exact alignment of the pattern across the blind is not possible

## Size Considerations

### Sheer Enchantment® Size Considerations

Width		Height	
Min	Max	Min	Max
17"	191"	19"	104"

### Sheer Enchantment Depth Requirements for Inside Mount

Minimum Depth <b>Partially recessed Mount</b>		Depth needed for <b>Flush Mount Headrail</b>	Depth needed for <b>Flush Mount Vane</b>	Depth needed for <b>Flush Mount Valance</b>	
2 3/8"		3"	3 3/4"	6 5/8"	

**Partially Recessed:** A partially recessed window treatment is where the depth of the window casing is less than the space necessary for a flush mount.

**Flush Mount:** If the window casing is deep enough to mount the entire blind inside of it, this is called a flush mount.

### Fabric and Vinyl Vertical Size Considerations

	Width			Height	
	Min Single Stack	Min Split Stack	Max	Min	Max
Magnum™	9"	17"	191"	12"	192"
DuraLite™	9"	12"	178 3/4"	12"	144"
One Touch®	9"	N/A	144"	12"	96"


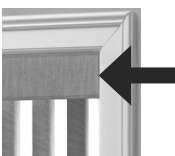
**One Touch Control:** 10,080 sq. in. maximum overall size  
 Minimum wand length is 33"

#### Factory Deductions

Mount	Mount Bracket Location	Valance	Height Deduction Magnum™	Height Deduction DuraLite™
Outside	All types	Yes/No	0"	0"
Inside	Ceiling or Top	No	1/2"	1/2"
Inside	Ceiling or Top	Yes	5/8"	1/2"
Inside	Wall or Back	No	7/8"	7/8"
Inside	Wall or Back	Yes	1 1/8"	1 1/8"

Mount	Width Deductions
Outside	0"
Inside	1/4"

### Fabric and Vinyl Vertical Depth Requirements for Inside Mount

	Headrail Dimensions	 Partially recessed headrail in window casing/molding <b>Minimum Depth Mount</b>	 Fully recessed headrail in window casing/molding <b>Flush with Casing</b>	Depth needed for Flush Mount Vane	Depth needed for Flush Mount Valance
Magnum	1 1/8" x 1 3/8"	2 3/8"	2 11/16"	3 3/4"	3 3/4"
DuraLite	1 5/16" x 1 1/2"	2 3/8"	2 3/4"	3 3/4"	3 3/4"

## Blind Options

### Sheer Enchantment® Blind Options

See Pricing Section for pricing and/or surcharges. The following is a list of options for Sheer Enchantment Blinds. All options are available in all styles and colors. Limitations will be based on fabric width. See detailed descriptions on the following pages.

#### Control Type Options

- Standard Cord/Chain Controls

#### Blind Options—No Charge

- Bay and Corner Windows
- Round Corner Valance
- Double Round Corner Valance
- Dauphine® Valance – Standard
- Paired Blinds

#### Blind Options—Surcharge

- Wood Cornices and Valances (see Cornice and Valance Price List)

### Fabric and Vinyl Vertical Blind Options

See Pricing Section for pricing and/or surcharges. The following is a list of options for Vertical Blinds. All options are available in all styles and colors. See detailed descriptions on the following pages.

#### Control Type Options

- Standard Cord/Chain Controls
- One Touch® Control

#### Options—No Charge

- Bay and Corner Windows
- Bottom Chain & Clips (fabric)
- Bottom Chain (vinyl)
- Cut-outs
- Paired
- Projection Bracket: 4 $\frac{3}{8}$ "
- Square Corner Valance
- Stay Clear™ Channel Panels

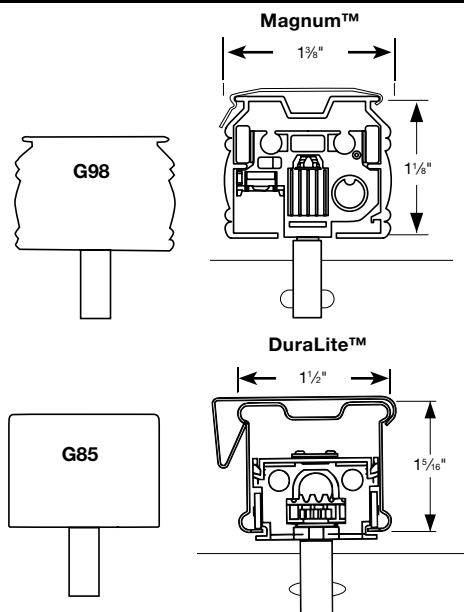
#### Specialty Shape Options

- Angled Top
- Curved Headrail

#### Options—Surcharge

- Round Corner Valance
- Double Round Corner Valance
- Wood Cornices and Valances (see Cornices and Valance Price List)

### Fabric and Vinyl Vertical Headrail System Options



#### G-98 Magnum™

The anodized aluminum Magnum headrail system traverses vanes smoothly through the consecutive action of stainless steel pick-up tails. Magnum carriers are wheeled for smooth traversing and are self-aligning.

#### G-85 Duralite™

DuraLite headrails traverse vanes smoothly with a thermoplastic strap system. DuraLite steel headrail is offered in an ivory painted finish. DuraLite carriers are wheeled for smooth traversing.

**NOTE:** The design of all Bali® headrails allows for reversible installation, providing versatile placement of controls on either the left or right.



# Blind Options

## Control Options



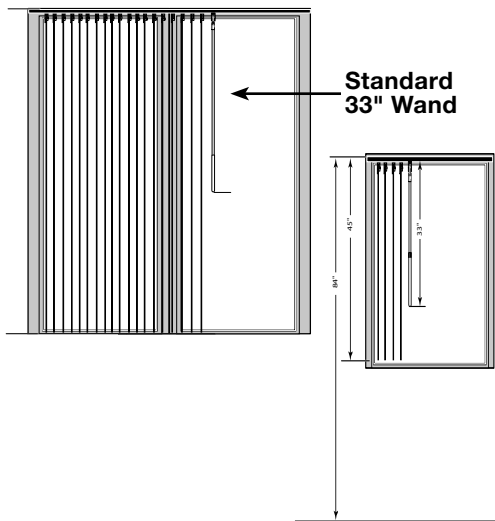
### Cord and Chain-Standard

- No charge
- Cord controls vane traverse
- Chain controls vane rotation

### One Touch® Wand Control

- No charge
- A slender wand controls vane rotation and traversing
- Simple, convenient, safe (no cords and chains)
- Recommended for homes with children or pets
- Available with single stack only; no split stack or opposite stack
- Not available with Sheer Enchantment

Width		Height	
Minimum	Maximum	Minimum	Maximum
9"	144"	12"*	96"
Maximum overall size: 10,080 sq. in. (w x h)			



### Wands for Blinds Mounted to Floor Level

If the vertical blind covers a patio door or the bottom of the vertical reaches the floor, the following chart indicates wand length. If the headrail distance from the floor is greater than 85" or there is any furniture in front of the blind, specify a 48" or 60" wand for easy accessibility.

Blind Height	Wand Height
77" or less*	33"
77½" to 92"	48"
92½" to 96"	60"

\*If blind is less than 35", wand will be longer than vanes.

The standard cord and chain control is recommended.

### Wands for Blinds Mounted Above Floor Level

Keep in mind that the wand length is determined by the finished blind height.

## Stacking Options



**Split Stack  
Left Controls**  
(Right controls available)



**Left Stack  
Same Side Stack  
and Controls**



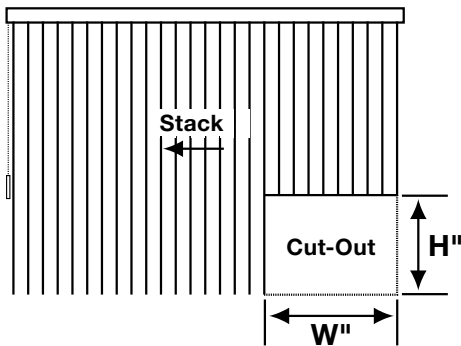
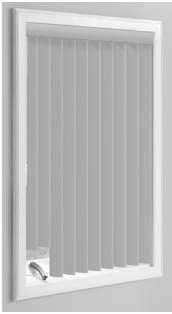
**Right Stack  
Same Side Stack  
and Controls**



**Opposite  
Stack and  
Controls**

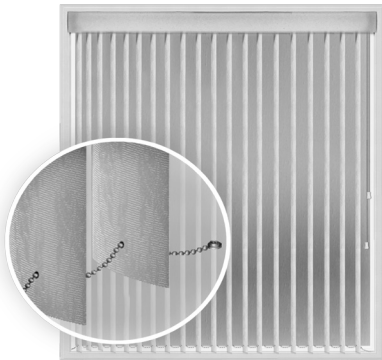
## Blind Options

### Cut-Out Blinds



- **No charge**
- Order when air conditioner, heating register or other object would interfere with vanes
- Blind must stack away from cut-out area
- Specify size and base price by maximum width and height of blind
- Submit drawing to identify size and location of cut-out (see example)
- Minimum cut-out width: 3½"
- Cut-out must be a full vane width and may be wider than ordered
- Not available with bottom chain
- Not available with Sheer Enchantment®

### Bottom Chain

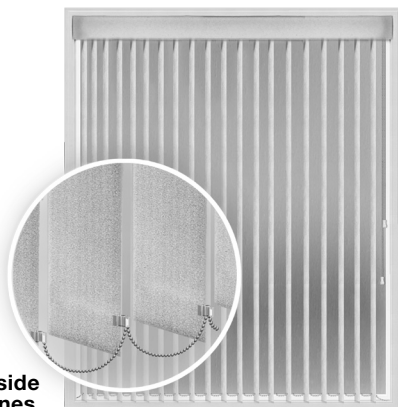


#### Bottom Chain Vinyl Vanes

Must be requested at time of order.

- **No charge**
- Optional, must be requested at time of order
- Not available with Channel Panel or S-shaped Vanes
- Not available with Sheer Enchantment

Vane Style	Standard/Option	Description
Fabric	Standard	3-sided sewn-in weight
Fabric	Option	Single nickel-plated chain at back of vanes with clips
Vinyl	Standard	No bottom chain
Vinyl	Option	Single nickel-plated chain in the middle of vanes
Channel Panel	Standard	No bottom weights or chain



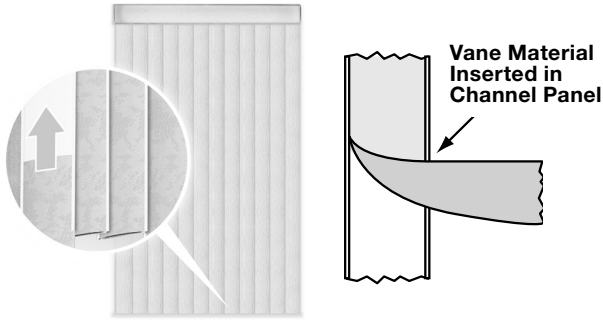
Backside  
of vanes  
shown.

#### Bottom Chain and Clip Fabric Vanes

Free hang only.

## Blind Options

### Stay Clear™ Channel Panel for Fabric Vanes



- See surcharge on price charts
- Vane material inserted into extruded Channel Panel with clear edges; see Blind Features for fabric styles available
- Offers improved privacy, room darkening and a neutral color appearance from exterior of window
- Channel Panel colors are:
  - Ivory (#7137) or
  - White (#7136)
- Not available with bottom chain
- See appropriate Price Chart for replacement vane pricing
- Not available with Sheer Enchantment

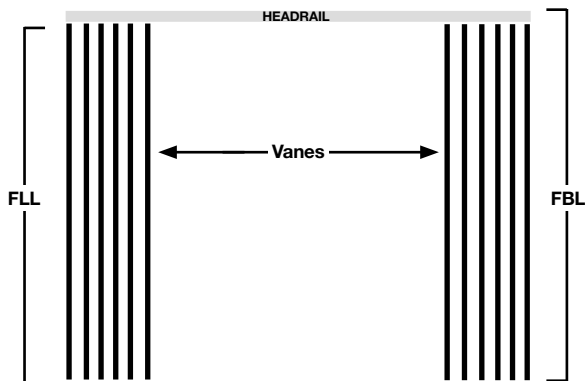
### Paired Blinds



- Price as two separate blinds
- The appearance of a Split Stack blind can be achieved by pairing blinds; the center opening point can be either on center or off center
- Paired Blinds can also be used when the required width is larger than the maximum width available for a single blind
- Specify Paired Blinds on your order
- Control locations must be same as stack
- Recommend ordering as stack left/controls left and stack right/controls right
- Square-corner Valance with dust cover only for vinyl and fabric verticals
- Available with one-way cord and chain only

### Replacement Vane Ordering

See the column at the far right of each Price Chart, for individual vane pricing based on material desired.



#### How to Measure a Replacement Vane

- Use the Price Charts for individual vane pricing
- Determine which chart based on material desired
- Locate height of your vane on the left side of the chart
- Use the price on the right side of chart that coincides with the height of Vane desired

#### How to Measure a Replacement Existing Vane, No Changes

- Measure the vane(s) from tip to tip to determine the exact length/height (**FLL**)
- No additional deductions will be taken by manufacturing; vanes will be manufactured to the exact size you provide
- Submit the measurement as exact height

#### How to Measure a Replacement Existing Vane, Changing the Height of the Vanes

- Measure from top of mounted headrail to bottom of location to be covered
- Record this measurement; this is the Finished Blind Length/Height (**FBL**)
- Manufacturing will take appropriate deduction so vanes will cover desired area

**NOTE:** Free hang fabric vanes include bottom weights. Bottom chains for vinyl vanes are optional; must be specified at time of order.

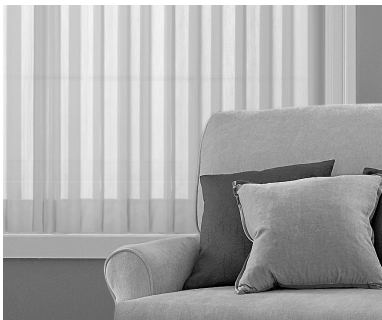
## Blind Options

### Sheer Enchantment® Hem Style



- 4" Drapery Hem is Standard

### Sheer Enchantment Cut Yardage



- **For pricing, see Options Pricing**
- Create matching soft window treatments, scarves, swags or toppers
- All fabrics are available by the yard (1 yard minimum) and are 117" wide
- Cut yardage fabric may not be an exact match due to dye lot variations
- Cut yardage fabric may need to be ironed when received using low temperature setting
- Cut yardage is provided as is; there is no warranty regarding suitability in desired application; not recommended for upholstery; edges are not finished

### Sheer Enchantment Dauphine® Valance



- **No charge**
- Fabric is Shirred for a soft look
- Snap-in brackets for easy installation
- Threader cap provides no-snap shirring of sheer fabric
- Notched for minimum 2½" returns and will extend to 7½" using the additional return slides which are included

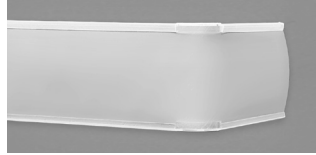


## Blind Options

### Round-corner Valance

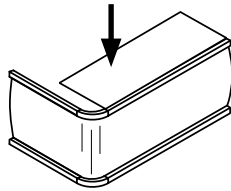


**Double Round-corner Valance**



**Round-corner Valance**

**Round-corner Valance with Dust Cover**



#### Outside Mount Only

- For surcharge, see Price Charts
- The Round-corner Valance system features the Stay-Clear™ Channel Panel guaranteed not to yellow; accommodates vinyl and fabric vanes as inserts; S-shaped style vanes use matching crown profile for valance insert; includes dust cover
- Also available with Sheer Enchantment®
- Create a layered look with a Double Round-corner Valance
- Both valances include 5½" returns

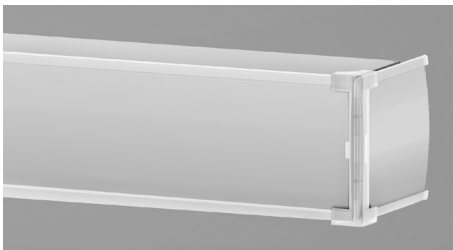
#### Maximum Valance Size Limitations

	Valance		Returns	
	Max PVC	Max Fabric	Min	Max
Square-corner Valance	191"	191"	3"	8"
Round-corner Valance	175"	191"	5½"	8"
Double Round-corner Valance	175"	191"	5½"	8"

- Round-corner Valance height 3¾"
- Double Round-corner Valance height 6½"

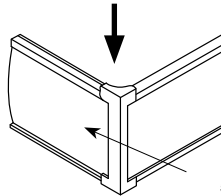
**NOTE:** Top hem of blind will be visible below the Round-corner Valance.

### Square-corner Valance

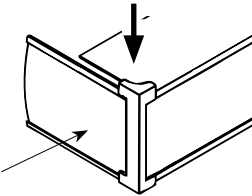


- **No charge**
- The Square-corner Valance is an extruded vinyl Stay-Clear™ Channel Panel, which is sized to hold 3½" wide vane material; it includes two 5½" returns
- Valances greater than 191" must have a dust cover
- Not available with Sheer Enchantment

**Square-corner Valance without Dust Cover**



**Square-corner Valance with Dust Cover**



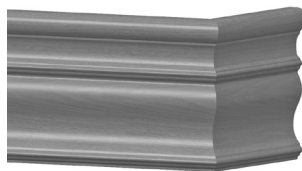
5½" Return

### Additional Options

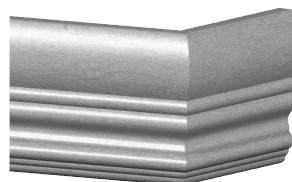
- For pricing see Bali Cornice and Valance Price List
- Enhance the beauty of your blind with a decorative valance or cornice



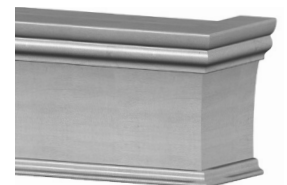
**3" Standard Valance**



**3½" Premium Traditional Valance**



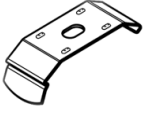
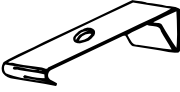
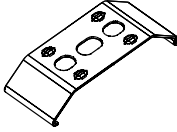
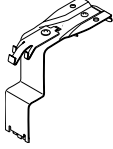
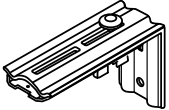
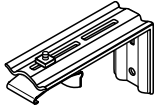
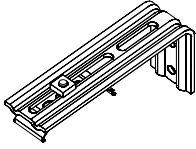
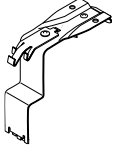
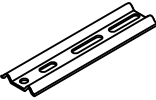
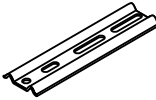
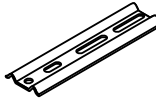
**3¼" Eloquence Valance**



**5½" and 7½" Regal Wood Cornice**

## Blind Options

### Vertical and Sheer Vertical Blinds: Installation Hardware

	G-98 Magnum™	G-85 DuraLite™	Sheer Verticals	
<b>Track Clip for Inside or Ceiling Mount</b>				<b>Dauphine® Valance Bracket</b> 
<b>L-Bracket for Outside or Wall Mount</b>				<b>Dauphine® Valance Bracket</b> 
<b>Optional Flat Projection Bracket</b> (NOTE: Attaches to angle bracket with nut/bolt pairs. Must be requested at time of order.)				

### Vertical and Sheer Vertical Blinds: Number of Mounting Brackets

#### Sheer Verticals: Number of Headrail and Dauphine Valance Mounting Brackets

Blind Width	17" - 54"	54 $\frac{1}{16}$ " - 81"	81 $\frac{1}{16}$ " - 108"	108 $\frac{1}{16}$ " - 135"	135 $\frac{1}{16}$ " - 162"	162 $\frac{1}{16}$ " - 191"
No. of Brackets	2	3	4	5	6	7

#### Magnum G-98 Headrail

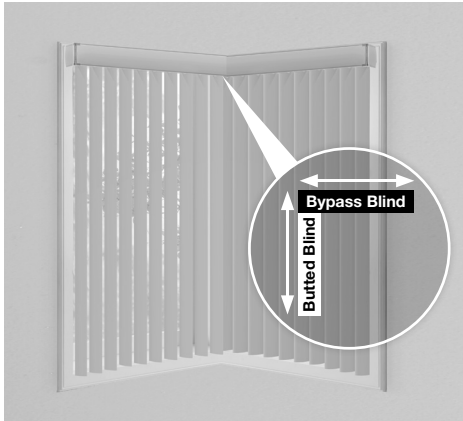
Blind Width	9" - 50"	50" - 90"	91" - 130"	131" - 170"	171" - 191"
No. of Brackets	2	3	4	5	6

#### DuraLite G-85 Headrail

Blind Width	9" - 62"	63" - 98"	99" - 134"	135" - 170"	171" - 178 $\frac{3}{4}$ "
No. of Brackets	2	3	4	5	6

# Blind Options

## Bay and Corner Windows

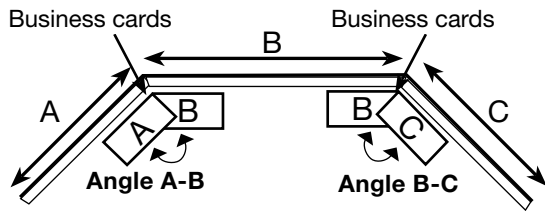


- **No additional charge**
- Minimal corner gaps
- Square Corner valance with dust cover only
- Chain and cord only
- Each blind is controlled separately
- List each track width and height on separate lines
- Price as separate blinds
- If no deductions are required, do not order as bay or corner
- Not available with cornices

## Measuring Information

### Corner Window

**Measure:** Width of each window from corner to the point you would like to cover and indicate which is the butted blind and bypass blind.



### Three-sided Bay Window

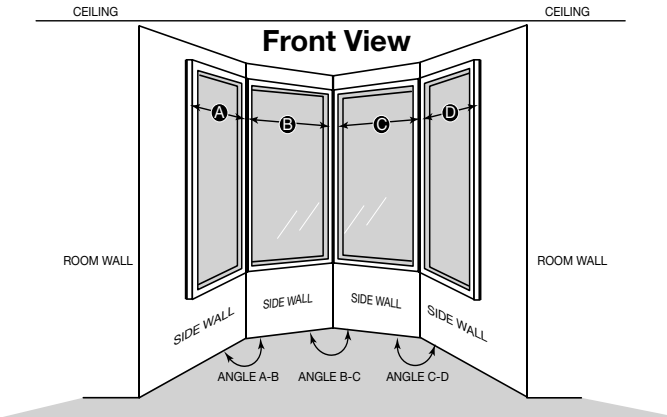
**Measure:**

- A & C:** Width of side windows from the corners to the point you would like the blind to cover.
- B:** Width of the center window from corner to corner.
- Angle A-B:** Angle between windows (A) and (B).
- Angle B-C:** Angle between windows (B) and (C).

### Four-sided Bay Window

**Measure:**

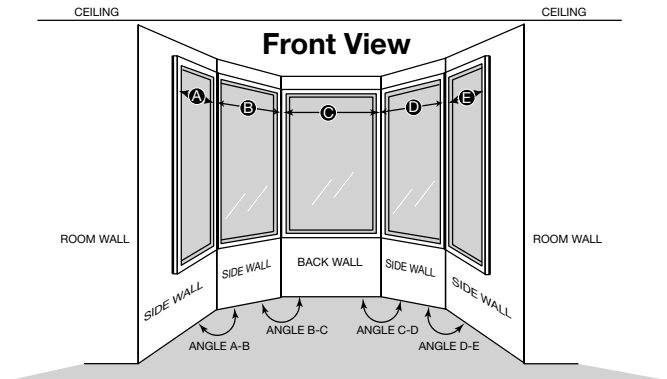
- A & D:** Width of side windows from the corners to the point you would like the blind to cover.
- B & C:** Width of each window from corner to corner.
- Angle A-B:** Angle between windows (A) and (B).
- Angle B-C:** Angle between windows (B) and (C).
- Angle C-D:** Angle between windows (C) and (D).



### Five-sided Bay Window

**Measure:**

- A & E:** Width of side windows from the corners to the point you would like the blind to cover.
- B, C & D:** Width of each center window from corner to corner.
- Angle A-B:** Angle between windows (A) and (B).
- Angle B-C:** Angle between windows (B) and (C).
- Angle C-D:** Angle between windows (C) and (D).
- Angle D-E:** Angle between windows (D) and (E).



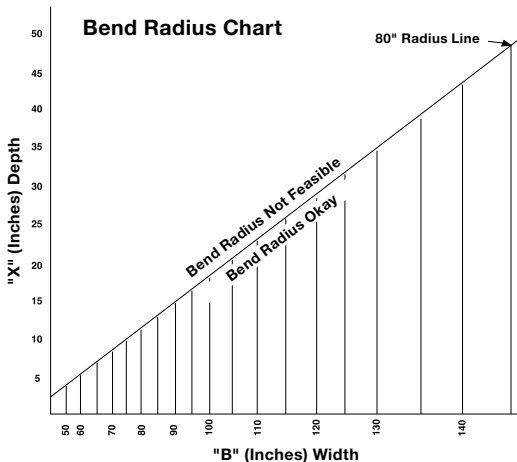
**NOTE:** Measure bay angle using protractor or angle finder, or use two business cards in as illustrated above and fax to customer service.

# Blind Options

## Specialty Shapes: Curved Headrail Blinds



- For surcharge, see Options Pricing
- Minimum width 48" exact
- Maximum width 168"
- See chart for feasibility
- **Not available with a Valance and Cornice**
- **One Touch® Control not available**
- Not available with Sheer Enchantment



Bend radius to be calculated by Springs Window Fashions

### Curved Headrail Bend Radius Chart

Headrail cannot be bent to a radius tighter than 80".

To check your application for bend radius:

1. Determine preferred application - **A, B, or C** (below).
2. Measure "B" and "X" for your application (diagrams below).
3. On the Bend Radius Chart, draw a line up from your "B" dimension and over from your "X" dimension.
4. If your two lines intersect below the 80" radius line, application is okay. If lines intersect above the 80" radius line, application is not feasible.
5. Factory will make allowance for vane clearance.

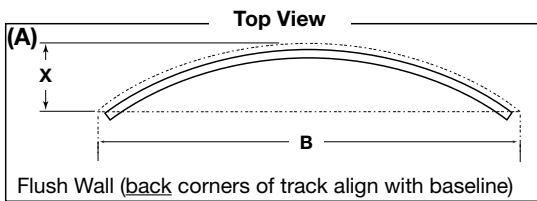
**NOTE:** Depending on bend, separate tracks may be recommended by factory.

## Curved Headrail Measuring Guide

See appropriate window drawing. To ensure a proper fit, fax a diagram to Customer Service.

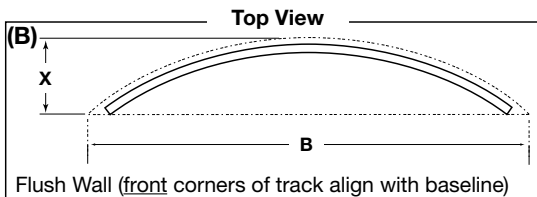
**Factory will make allowance for vane clearance.**

Measurements should be taken from wall to wall or window to window.



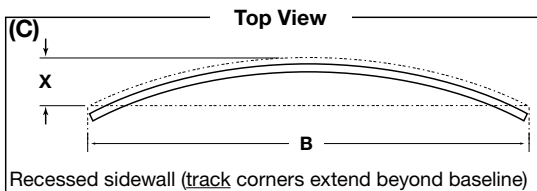
### Standard Application (A)

Measure exact window baseline (**B**) and depth (**X**). Factory will make deduction for vane clearance. Diagram shows back corner of track sitting on the baseline. This minimizes light gaps at ends of tracks.



### Optional Application (B)

Measure exact window baseline (**B**) and depth (**X**). Indicate that front corners of headrail should be flush with baseline. Factory will make appropriate deductions. Diagram shows front corners of track sitting on the baseline. This application could leave light gaps at end of track giving visibility to outside.



### Optional Application (C)

Measure exact window baseline (**B**) and depth (**X**). Also indicate recessed wall measurement. Factory will take deductions for vane clearance. Diagram shows track extending beyond the baseline. This will help cover the side walls to minimize any light gap.



## Blind Options

### Specialty Shapes: Angled Window Headrail



- **For surcharges, see Options Pricing.**
- Ideal for sloping, cathedral-type windows
- Only available in single stack cord control Vertical blinds
- Vane stack and cord control must be at the highest point of the window
- Exact dimensions must accompany orders to ensure proper fit
- Steepest slope possible is 55°
- Maximum size: 144" wide x 144" long, depending on angle
- Minimum low end is 6"
- Available on Everglide headrail only
- Square Corner Valance with dust cover only; must be mitered at time of installation
- E-Z Open™ standard
- Bottom Chains are not available
- Not available with Sheer Enchantment®

#### Measuring Outside Mount

1. Measure exact width and height of area to be covered.  
It is recommended that shades overlap window frame or opening by 1½" on each side.
2. Measure height of opening on left side and mark this dimension "left". Allow for overlap as desired: 1½" on top and bottom is recommended.
3. Measure height of opening on right side and mark this dimension "right." Allow for the same overlap as left side.
4. Factory will determine the angle from these three dimensions.

## General Information

### Sheer Enchantment® Vane Stacking Chart: Outside Mount

No. of Vanes	Single Stack(in)		Split-Stack(in)		No. of Vanes	Single Stack(in)		Split-Stack(in)		No. of Vanes	Single Stack(in)		Split-Stack(in)	
	CO	FBW	CO	FBW		CO	FBW	CO	FBW		CO	FBW	CO	FBW
6	14 <sup>7</sup> / <sub>8</sub>	19 <sup>5</sup> / <sub>8</sub>	11 <sup>1</sup> / <sub>8</sub>	17	25	65 <sup>1</sup> / <sub>4</sub>	79 <sup>3</sup> / <sub>8</sub>			44	115 <sup>3</sup> / <sub>4</sub>	139 <sup>1</sup> / <sub>4</sub>	112	136 <sup>5</sup> / <sub>8</sub>
7	17 <sup>1</sup> / <sub>2</sub>	22 <sup>3</sup> / <sub>4</sub>			26	67 <sup>7</sup> / <sub>8</sub>	82 <sup>1</sup> / <sub>2</sub>	64 <sup>1</sup> / <sub>4</sub>	80	45	118 <sup>3</sup> / <sub>8</sub>	142 <sup>3</sup> / <sub>8</sub>		
8	20 <sup>1</sup> / <sub>8</sub>	25 <sup>7</sup> / <sub>8</sub>	16 <sup>3</sup> / <sub>8</sub>	23 <sup>1</sup> / <sub>4</sub>	27	70 <sup>3</sup> / <sub>8</sub>	85 <sup>3</sup> / <sub>4</sub>			46	121	145 <sup>1</sup> / <sub>2</sub>	117 <sup>7</sup> / <sub>8</sub>	142 <sup>7</sup> / <sub>8</sub>
9	22 <sup>3</sup> / <sub>4</sub>	29			28	73 <sup>1</sup> / <sub>4</sub>	88 <sup>7</sup> / <sub>8</sub>	69 <sup>1</sup> / <sub>2</sub>	86 <sup>1</sup> / <sub>4</sub>	47	123 <sup>5</sup> / <sub>8</sub>	148 <sup>5</sup> / <sub>8</sub>		
10	25 <sup>3</sup> / <sub>8</sub>	32 <sup>1</sup> / <sub>8</sub>	21 <sup>3</sup> / <sub>4</sub>	29 <sup>5</sup> / <sub>8</sub>	29	75 <sup>5</sup> / <sub>8</sub>	92			48	126 <sup>3</sup> / <sub>8</sub>	151 <sup>3</sup> / <sub>4</sub>	122 <sup>3</sup> / <sub>4</sub>	149 <sup>1</sup> / <sub>4</sub>
11	28 <sup>1</sup> / <sub>8</sub>	35 <sup>5</sup> / <sub>8</sub>			30	78 <sup>5</sup> / <sub>8</sub>	95 <sup>5</sup> / <sub>8</sub>	74 <sup>7</sup> / <sub>8</sub>	92 <sup>1</sup> / <sub>2</sub>	49	129	155		
12	30 <sup>3</sup> / <sub>4</sub>	38 <sup>1</sup> / <sub>2</sub>	27	35 <sup>7</sup> / <sub>8</sub>	31	81 <sup>1</sup> / <sub>4</sub>	98 <sup>1</sup> / <sub>4</sub>			50	131 <sup>5</sup> / <sub>8</sub>	158 <sup>1</sup> / <sub>8</sub>	128	155 <sup>1</sup> / <sub>2</sub>
13	33 <sup>3</sup> / <sub>8</sub>	41 <sup>5</sup> / <sub>8</sub>			32	83 <sup>7</sup> / <sub>8</sub>	101 <sup>5</sup> / <sub>8</sub>	80 <sup>1</sup> / <sub>4</sub>	98 <sup>7</sup> / <sub>8</sub>	51	134 <sup>1</sup> / <sub>4</sub>	161 <sup>1</sup> / <sub>4</sub>		
14	36 <sup>1</sup> / <sub>8</sub>	44 <sup>3</sup> / <sub>4</sub>	32 <sup>3</sup> / <sub>8</sub>	42 <sup>1</sup> / <sub>8</sub>	33	86 <sup>1</sup> / <sub>2</sub>	104 <sup>5</sup> / <sub>8</sub>			52	137	164 <sup>3</sup> / <sub>4</sub>	133 <sup>3</sup> / <sub>4</sub>	161 <sup>3</sup> / <sub>4</sub>
15	38 <sup>3</sup> / <sub>4</sub>	47 <sup>7</sup> / <sub>8</sub>			34	89 <sup>1</sup> / <sub>8</sub>	107 <sup>3</sup> / <sub>4</sub>	85 <sup>1</sup> / <sub>2</sub>	105 <sup>1</sup> / <sub>8</sub>	53	139 <sup>5</sup> / <sub>8</sub>	167 <sup>1</sup> / <sub>2</sub>		
16	41 <sup>3</sup> / <sub>8</sub>	51	37 <sup>3</sup> / <sub>4</sub>	48 <sup>1</sup> / <sub>2</sub>	35	91 <sup>3</sup> / <sub>4</sub>	110 <sup>7</sup> / <sub>8</sub>			54	142 <sup>1</sup> / <sub>4</sub>	170 <sup>7</sup> / <sub>8</sub>	138 <sup>5</sup> / <sub>8</sub>	168 <sup>1</sup> / <sub>8</sub>
17	44	54 <sup>1</sup> / <sub>4</sub>			36	94 <sup>1</sup> / <sub>2</sub>	114	90 <sup>3</sup> / <sub>4</sub>	111 <sup>3</sup> / <sub>8</sub>	55	144 <sup>7</sup> / <sub>8</sub>	173 <sup>7</sup> / <sub>8</sub>		
18	46 <sup>5</sup> / <sub>8</sub>	57 <sup>3</sup> / <sub>8</sub>	43	54 <sup>3</sup> / <sub>4</sub>	37	97 <sup>1</sup> / <sub>8</sub>	117 <sup>1</sup> / <sub>8</sub>			56	147 <sup>5</sup> / <sub>8</sub>	177	143 <sup>7</sup> / <sub>8</sub>	174 <sup>3</sup> / <sub>8</sub>
19	49 <sup>3</sup> / <sub>8</sub>	60 <sup>1</sup> / <sub>2</sub>			38	99 <sup>3</sup> / <sub>4</sub>	120 <sup>3</sup> / <sub>8</sub>	96 <sup>1</sup> / <sub>8</sub>	117 <sup>3</sup> / <sub>4</sub>	57	150 <sup>1</sup> / <sub>4</sub>	180 <sup>3</sup> / <sub>8</sub>		
20	52	63 <sup>5</sup> / <sub>8</sub>	48 <sup>1</sup> / <sub>4</sub>	61	39	102 <sup>3</sup> / <sub>8</sub>	123 <sup>1</sup> / <sub>2</sub>			58	152 <sup>7</sup> / <sub>8</sub>	183 <sup>1</sup> / <sub>4</sub>	149 <sup>1</sup> / <sub>8</sub>	180 <sup>5</sup> / <sub>8</sub>
21	54 <sup>3</sup> / <sub>8</sub>	66 <sup>3</sup> / <sub>4</sub>			40	105 <sup>1</sup> / <sub>8</sub>	126 <sup>3</sup> / <sub>8</sub>	101 <sup>3</sup> / <sub>8</sub>	124	59	155 <sup>1</sup> / <sub>2</sub>	186 <sup>3</sup> / <sub>8</sub>		
22	57 <sup>3</sup> / <sub>8</sub>	70	53 <sup>5</sup> / <sub>8</sub>	67 <sup>3</sup> / <sub>8</sub>	41	107 <sup>3</sup> / <sub>4</sub>	129 <sup>3</sup> / <sub>4</sub>			60	158 <sup>1</sup> / <sub>4</sub>	189 <sup>5</sup> / <sub>8</sub>	154 <sup>1</sup> / <sub>2</sub>	187
23	60	73 <sup>1</sup> / <sub>8</sub>			42	110 <sup>3</sup> / <sub>8</sub>	132 <sup>7</sup> / <sub>8</sub>	106 <sup>5</sup> / <sub>8</sub>	130 <sup>1</sup> / <sub>4</sub>	61	159 <sup>1</sup> / <sub>8</sub>	191		
24	62 <sup>5</sup> / <sub>8</sub>	76 <sup>1</sup> / <sub>4</sub>	58 <sup>7</sup> / <sub>8</sub>	73 <sup>3</sup> / <sub>8</sub>	43	113	136			62			157 <sup>5</sup> / <sub>8</sub>	191

**FBW** = Finished Blind Width  
**CO** = Clear Opening  
**STACK** = FBW - CO

### Sheer Enchantment Vane Stacking Chart: Inside Mount

No. of Vanes	Single Stack(in)		Split-Stack(in)		No. of Vanes	Single Stack(in)		Split-Stack(in)		No. of Vanes	Single Stack(in)		Split-Stack(in)	
	CO	FBW	CO	FBW		CO	FBW	CO	FBW		CO	FBW	CO	FBW
7	10 <sup>5</sup> / <sub>8</sub>	19 <sup>1</sup> / <sub>4</sub>			26	61 <sup>1</sup> / <sub>8</sub>	79 <sup>3</sup> / <sub>8</sub>	59	76 <sup>1</sup> / <sub>2</sub>	45	112 <sup>1</sup> / <sub>8</sub>	139 <sup>3</sup> / <sub>8</sub>		
8	13 <sup>1</sup> / <sub>4</sub>	22 <sup>3</sup> / <sub>8</sub>	11 <sup>1</sup> / <sub>8</sub>	19 <sup>3</sup> / <sub>4</sub>	27	63 <sup>7</sup> / <sub>8</sub>	82 <sup>1</sup> / <sub>4</sub>			46	114 <sup>3</sup> / <sub>4</sub>	142 <sup>1</sup> / <sub>2</sub>	112 <sup>1</sup> / <sub>8</sub>	139 <sup>3</sup> / <sub>8</sub>
9	15 <sup>5</sup> / <sub>8</sub>	25 <sup>1</sup> / <sub>2</sub>			28	66 <sup>5</sup> / <sub>8</sub>	85 <sup>1</sup> / <sub>2</sub>	64 <sup>1</sup> / <sub>4</sub>	82 <sup>3</sup> / <sub>4</sub>	47	117 <sup>1</sup> / <sub>2</sub>	145 <sup>3</sup> / <sub>4</sub>		
10	18 <sup>1</sup> / <sub>2</sub>	28 <sup>5</sup> / <sub>8</sub>	16 <sup>3</sup> / <sub>8</sub>	26	29	69 <sup>1</sup> / <sub>4</sub>	88 <sup>5</sup> / <sub>8</sub>			48	120 <sup>1</sup> / <sub>8</sub>	148 <sup>7</sup> / <sub>8</sub>	117 <sup>1</sup> / <sub>2</sub>	146 <sup>1</sup> / <sub>4</sub>
11	21 <sup>1</sup> / <sub>4</sub>	31 <sup>5</sup> / <sub>8</sub>			30	71 <sup>7</sup> / <sub>8</sub>	91 <sup>3</sup> / <sub>4</sub>	69 <sup>5</sup> / <sub>8</sub>	89 <sup>3</sup> / <sub>8</sub>	49	122 <sup>3</sup> / <sub>4</sub>	152		
12	24	35	21 <sup>3</sup> / <sub>4</sub>	32 <sup>3</sup> / <sub>8</sub>	31	74 <sup>1</sup> / <sub>2</sub>	94 <sup>7</sup> / <sub>8</sub>			50	125 <sup>3</sup> / <sub>8</sub>	155 <sup>5</sup> / <sub>8</sub>	122 <sup>3</sup> / <sub>4</sub>	152 <sup>1</sup> / <sub>2</sub>
13	26 <sup>5</sup> / <sub>8</sub>	38 <sup>3</sup> / <sub>8</sub>			32	77 <sup>1</sup> / <sub>8</sub>	98	74 <sup>7</sup> / <sub>8</sub>	95 <sup>3</sup> / <sub>8</sub>	51	128 <sup>1</sup> / <sub>8</sub>	158 <sup>3</sup> / <sub>8</sub>		
14	29 <sup>1</sup> / <sub>4</sub>	41 <sup>1</sup> / <sub>4</sub>	27	38 <sup>5</sup> / <sub>8</sub>	33	80 <sup>1</sup> / <sub>4</sub>	101 <sup>5</sup> / <sub>8</sub>			52	130 <sup>3</sup> / <sub>4</sub>	161 <sup>1</sup> / <sub>2</sub>	128	158 <sup>3</sup> / <sub>4</sub>
15	31 <sup>5</sup> / <sub>8</sub>	44 <sup>3</sup> / <sub>8</sub>			34	82 <sup>7</sup> / <sub>8</sub>	104 <sup>3</sup> / <sub>4</sub>	80 <sup>3</sup> / <sub>4</sub>	102 <sup>1</sup> / <sub>8</sub>	53	133 <sup>1</sup> / <sub>2</sub>	164 <sup>3</sup> / <sub>4</sub>		
16	34 <sup>5</sup> / <sub>8</sub>	47 <sup>5</sup> / <sub>8</sub>	32 <sup>1</sup> / <sub>4</sub>	44 <sup>7</sup> / <sub>8</sub>	35	85 <sup>1</sup> / <sub>2</sub>	107 <sup>5</sup> / <sub>8</sub>			54	136 <sup>1</sup> / <sub>8</sub>	167 <sup>7</sup> / <sub>8</sub>	133 <sup>3</sup> / <sub>8</sub>	165 <sup>1</sup> / <sub>8</sub>
17	37 <sup>1</sup> / <sub>4</sub>	50 <sup>3</sup> / <sub>4</sub>			36	88 <sup>1</sup> / <sub>4</sub>	111 <sup>1</sup> / <sub>8</sub>	86	108 <sup>3</sup> / <sub>8</sub>	55	138 <sup>3</sup> / <sub>4</sub>	171		
18	39 <sup>3</sup> / <sub>8</sub>	53 <sup>5</sup> / <sub>8</sub>	37 <sup>3</sup> / <sub>4</sub>	51 <sup>1</sup> / <sub>4</sub>	37	90 <sup>7</sup> / <sub>8</sub>	114 <sup>1</sup> / <sub>4</sub>			56	141 <sup>3</sup> / <sub>8</sub>	174 <sup>3</sup> / <sub>8</sub>	138 <sup>3</sup> / <sub>8</sub>	171 <sup>3</sup> / <sub>8</sub>
19	42 <sup>1</sup> / <sub>2</sub>	57			38	93 <sup>1</sup> / <sub>2</sub>	117 <sup>3</sup> / <sub>8</sub>	91 <sup>3</sup> / <sub>8</sub>	114 <sup>3</sup> / <sub>4</sub>	57	144	177 <sup>1</sup> / <sub>4</sub>		
20	45 <sup>1</sup> / <sub>8</sub>	60 <sup>3</sup> / <sub>8</sub>	43	57 <sup>1</sup> / <sub>2</sub>	39	96 <sup>1</sup> / <sub>8</sub>	120 <sup>1</sup> / <sub>2</sub>			58	146 <sup>5</sup> / <sub>8</sub>	180 <sup>1</sup> / <sub>2</sub>	144	177 <sup>5</sup> / <sub>8</sub>
21	47 <sup>3</sup> / <sub>4</sub>	63 <sup>1</sup> / <sub>4</sub>			40	98 <sup>3</sup> / <sub>4</sub>	123 <sup>5</sup> / <sub>8</sub>	96 <sup>5</sup> / <sub>8</sub>	121	59	149 <sup>1</sup> / <sub>2</sub>	183 <sup>5</sup> / <sub>8</sub>		
22	50 <sup>1</sup> / <sub>2</sub>	66 <sup>1</sup> / <sub>2</sub>	48 <sup>1</sup> / <sub>4</sub>	63 <sup>3</sup> / <sub>4</sub>	41	101 <sup>1</sup> / <sub>2</sub>	126 <sup>7</sup> / <sub>8</sub>			60	152 <sup>1</sup> / <sub>8</sub>	186 <sup>3</sup> / <sub>4</sub>	149 <sup>3</sup> / <sub>8</sub>	184
23	53 <sup>1</sup> / <sub>8</sub>	69 <sup>3</sup> / <sub>8</sub>			42	104 <sup>1</sup> / <sub>8</sub>	130	101 <sup>1</sup> / <sub>2</sub>	127 <sup>1</sup> / <sub>4</sub>	61	154 <sup>3</sup> / <sub>4</sub>	189 <sup>7</sup> / <sub>8</sub>		
24	55 <sup>5</sup> / <sub>8</sub>	72 <sup>7</sup> / <sub>8</sub>	53 <sup>5</sup> / <sub>8</sub>	70 <sup>1</sup> / <sub>8</sub>	43	106 <sup>5</sup> / <sub>8</sub>	133 <sup>3</sup> / <sub>8</sub>			62	155 <sup>3</sup> / <sub>8</sub>	191	154 <sup>5</sup> / <sub>8</sub>	190 <sup>1</sup> / <sub>4</sub>
25	58 <sup>1</sup> / <sub>2</sub>	76			44	109 <sup>1</sup> / <sub>2</sub>	136 <sup>1</sup> / <sub>4</sub>	106 <sup>7</sup> / <sub>8</sub>	133 <sup>3</sup> / <sub>8</sub>	64			154 <sup>3</sup> / <sub>8</sub>	191

**FBW** = Finished Blind Width  
**CO** = Clear Opening  
**STACK** = FBW - CO

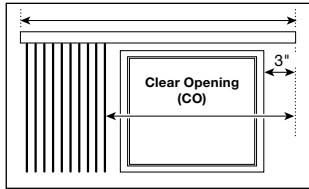
## General Information

<b>Sheer Enchantment® Suggested Color Coordination</b>				
Fabric Name	Fabric Content	Color Name	Color Number	Recommended Vane, Bead Chain and Cord Weight Color
Akbar	100% Polyester	Oasis	2760	Ivory
Edon	100% Polyester	Cream	2222	Ivory
		Pearl	2221	White
		Snow	2220	White
Illuminate	100% Polyester	Champagne	1720	Ivory
		Marble	1722	Ivory
		Snow White	1724	White
		White	1725	White
Impressions II	100% Polyester	Marble	1740	Ivory
		White	1741	White
		Winter	1742	White
Kobe	100% Polyester	Marble	2080	Ivory

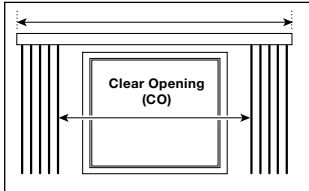
## General Information

### Fabric and Vinyl Vertical Clear Opening: How to Measure for Uncovered Window

**Stack Left Finished Blind Width (FBW)**



**Split Stack Finished Blind Width (FBW)**  
(recommended for balanced appearance)



Determine headrail type and the clear opening width for split stack, stack right or stack left (See diagrams) - the additional 3" shown for privacy is recommended if ordering a right or left stack.

1. Match the clear opening width with dimension found under "CO" column below. For even spacing, round up width measurement to the next size in the stack chart. Split stack will have even numbers of vanes.
2. Order the corresponding dimension found in the "FBW" (Finished Blind Width) column below.

**Example: Stack Left**

If determined width for clear opening window view is 54<sup>3</sup>/<sub>8</sub>", order width needed to provide full unobstructed view is 63<sup>1</sup>/<sub>8</sub>".

**NOTE:** For stack right or stack left blinds add an additional 3" to the clear opening before calculating the finished blind width. For One Touch® Control see appropriate Stacking Charts for single stack blinds on the following pages.

### Fabric and Vinyl Vertical Vane Stacking Chart: Magnum™ G-98 – 3<sup>1</sup>/<sub>2</sub>"

No. of Vanes	Single Stack(in)		Split Stack(in)	
	CO	FBW	CO	FBW
3	7 <sup>1</sup> / <sub>4</sub>	10 <sup>1</sup> / <sub>4</sub>		
4	10	13 <sup>3</sup> / <sub>8</sub>	8 <sup>1</sup> / <sub>2</sub>	13 <sup>1</sup> / <sub>2</sub>
5	12 <sup>7</sup> / <sub>8</sub>	16 <sup>1</sup> / <sub>2</sub>		
6	15 <sup>1</sup> / <sub>2</sub>	19 <sup>5</sup> / <sub>8</sub>	14	19 <sup>3</sup> / <sub>4</sub>
7	18 <sup>3</sup> / <sub>8</sub>	22 <sup>3</sup> / <sub>4</sub>		
8	21 <sup>1</sup> / <sub>8</sub>	25 <sup>5</sup> / <sub>8</sub>	19 <sup>1</sup> / <sub>2</sub>	26
9	23 <sup>7</sup> / <sub>8</sub>	29		
10	26 <sup>3</sup> / <sub>4</sub>	32 <sup>1</sup> / <sub>8</sub>	25 <sup>1</sup> / <sub>8</sub>	32 <sup>1</sup> / <sub>4</sub>
11	29 <sup>3</sup> / <sub>8</sub>	35 <sup>1</sup> / <sub>8</sub>		
12	32 <sup>1</sup> / <sub>4</sub>	38 <sup>1</sup> / <sub>4</sub>	30 <sup>5</sup> / <sub>8</sub>	38 <sup>3</sup> / <sub>8</sub>
13	35	41 <sup>3</sup> / <sub>8</sub>		
14	37 <sup>3</sup> / <sub>4</sub>	44 <sup>1</sup> / <sub>2</sub>	36 <sup>1</sup> / <sub>4</sub>	44 <sup>5</sup> / <sub>8</sub>
15	40 <sup>1</sup> / <sub>2</sub>	47 <sup>5</sup> / <sub>8</sub>		
16	43 <sup>3</sup> / <sub>8</sub>	50 <sup>3</sup> / <sub>4</sub>	41 <sup>3</sup> / <sub>4</sub>	50 <sup>7</sup> / <sub>8</sub>
17	46 <sup>1</sup> / <sub>8</sub>	53 <sup>7</sup> / <sub>8</sub>		
18	48 <sup>7</sup> / <sub>8</sub>	57	47 <sup>3</sup> / <sub>8</sub>	57 <sup>1</sup> / <sub>8</sub>
19	51 <sup>5</sup> / <sub>8</sub>	60		
20	54 <sup>3</sup> / <sub>8</sub>	63 <sup>1</sup> / <sub>8</sub>	52 <sup>7</sup> / <sub>8</sub>	63 <sup>1</sup> / <sub>4</sub>
21	57 <sup>1</sup> / <sub>4</sub>	66 <sup>1</sup> / <sub>4</sub>		
22	60	69 <sup>5</sup> / <sub>8</sub>	58 <sup>3</sup> / <sub>8</sub>	69 <sup>1</sup> / <sub>2</sub>
23	62 <sup>3</sup> / <sub>4</sub>	72 <sup>1</sup> / <sub>2</sub>		
24	65 <sup>1</sup> / <sub>2</sub>	75 <sup>5</sup> / <sub>8</sub>	64	75 <sup>3</sup> / <sub>4</sub>
25	68 <sup>1</sup> / <sub>4</sub>	78 <sup>3</sup> / <sub>4</sub>		
26	71 <sup>1</sup> / <sub>8</sub>	80 <sup>7</sup> / <sub>8</sub>	69 <sup>1</sup> / <sub>2</sub>	82
27	73 <sup>7</sup> / <sub>8</sub>	85		
28	76 <sup>5</sup> / <sub>8</sub>	88	75	88 <sup>1</sup> / <sub>8</sub>
29	79 <sup>3</sup> / <sub>8</sub>	91 <sup>1</sup> / <sub>8</sub>		
30	82 <sup>1</sup> / <sub>4</sub>	94 <sup>1</sup> / <sub>4</sub>	80 <sup>5</sup> / <sub>8</sub>	94 <sup>3</sup> / <sub>8</sub>
31	85	97 <sup>3</sup> / <sub>8</sub>		
32	87 <sup>3</sup> / <sub>4</sub>	100 <sup>1</sup> / <sub>2</sub>	86 <sup>1</sup> / <sub>8</sub>	100 <sup>5</sup> / <sub>8</sub>
33	90 <sup>1</sup> / <sub>2</sub>	103 <sup>5</sup> / <sub>8</sub>		
34	93 <sup>1</sup> / <sub>4</sub>	106 <sup>3</sup> / <sub>4</sub>	91 <sup>3</sup> / <sub>4</sub>	106 <sup>7</sup> / <sub>8</sub>
35	96 <sup>1</sup> / <sub>8</sub>	109 <sup>7</sup> / <sub>8</sub>		
36	98 <sup>3</sup> / <sub>4</sub>	112 <sup>7</sup> / <sub>8</sub>	97 <sup>1</sup> / <sub>4</sub>	113
37	101 <sup>5</sup> / <sub>8</sub>	116		
38	104 <sup>3</sup> / <sub>8</sub>	119 <sup>1</sup> / <sub>8</sub>	102 <sup>7</sup> / <sub>8</sub>	119 <sup>1</sup> / <sub>4</sub>

No. of Vanes	Single Stack(in)		Split Stack(in)	
	CO	FBW	CO	FBW
39	107 <sup>1</sup> / <sub>8</sub>	122 <sup>1</sup> / <sub>4</sub>		
40	109 <sup>5</sup> / <sub>8</sub>	125 <sup>3</sup> / <sub>8</sub>	108 <sup>3</sup> / <sub>8</sub>	125 <sup>1</sup> / <sub>2</sub>
41	112 <sup>3</sup> / <sub>4</sub>	128 <sup>1</sup> / <sub>2</sub>		
42	115 <sup>1</sup> / <sub>2</sub>	131 <sup>5</sup> / <sub>8</sub>	113 <sup>7</sup> / <sub>8</sub>	131 <sup>3</sup> / <sub>4</sub>
43	118 <sup>1</sup> / <sub>4</sub>	134 <sup>3</sup> / <sub>4</sub>		
44	121 <sup>1</sup> / <sub>8</sub>	137 <sup>7</sup> / <sub>8</sub>	119 <sup>1</sup> / <sub>2</sub>	138
45	123 <sup>3</sup> / <sub>4</sub>	140 <sup>7</sup> / <sub>8</sub>		
46	126 <sup>5</sup> / <sub>8</sub>	144	125	144 <sup>1</sup> / <sub>8</sub>
47	129 <sup>5</sup> / <sub>8</sub>	147 <sup>1</sup> / <sub>8</sub>		
48	132 <sup>1</sup> / <sub>8</sub>	150 <sup>1</sup> / <sub>4</sub>	130 <sup>5</sup> / <sub>8</sub>	150 <sup>3</sup> / <sub>8</sub>
49	134 <sup>7</sup> / <sub>8</sub>	153 <sup>3</sup> / <sub>8</sub>		
50	137 <sup>5</sup> / <sub>8</sub>	156 <sup>1</sup> / <sub>2</sub>	136 <sup>1</sup> / <sub>8</sub>	156 <sup>5</sup> / <sub>8</sub>
51	140 <sup>1</sup> / <sub>2</sub>	159 <sup>5</sup> / <sub>8</sub>		
52	143 <sup>1</sup> / <sub>4</sub>	162 <sup>3</sup> / <sub>4</sub>	141 <sup>3</sup> / <sub>4</sub>	162 <sup>7</sup> / <sub>8</sub>
53	146	165 <sup>3</sup> / <sub>4</sub>		
54	148 <sup>3</sup> / <sub>4</sub>	168 <sup>7</sup> / <sub>8</sub>	147 <sup>1</sup> / <sub>4</sub>	169
55	151 <sup>1</sup> / <sub>8</sub>	172		
56	154 <sup>3</sup> / <sub>8</sub>	175 <sup>1</sup> / <sub>8</sub>	152 <sup>3</sup> / <sub>4</sub>	175 <sup>1</sup> / <sub>4</sub>
57	157 <sup>1</sup> / <sub>8</sub>	178 <sup>1</sup> / <sub>4</sub>		
58	159 <sup>7</sup> / <sub>8</sub>	181 <sup>3</sup> / <sub>8</sub>	158 <sup>1</sup> / <sub>4</sub>	181 <sup>1</sup> / <sub>2</sub>
59	162 <sup>5</sup> / <sub>8</sub>	184 <sup>1</sup> / <sub>2</sub>		
60	165 <sup>1</sup> / <sub>2</sub>	187 <sup>5</sup> / <sub>8</sub>	163 <sup>7</sup> / <sub>8</sub>	187 <sup>3</sup> / <sub>4</sub>
61	168 <sup>1</sup> / <sub>8</sub>	190 <sup>5</sup> / <sub>8</sub>		
62	168 <sup>1</sup> / <sub>8</sub>	191	166 <sup>1</sup> / <sub>2</sub>	191

**FBW** = Finished Blind Width  
**CO** = Clear Opening  
**STACK** = FBW - CO

## General Information

### Fabric and Vinyl Vertical Vane Stacking Chart: DuraLite™ G-85 – 3½"

No. of Vanes	Single Stack(in)		Split Stack(in)	
	CO	FBW	CO	FBW
3	6⅞	10⅞		
4	9½	13¼	7¼	12½
5	12⅞	16⅞		
6	14¾	19½	12½	18¾
7	17⅞	22⅞		
8	20	25¾	17¾	25
9	22¾	28⅞		
10	25⅞	32	23	31¼
11	28	35⅞		
12	30⅞	38¾	28⅞	37½
13	33¼	41⅞		
14	35⅞	44½	33⅞	43¾
15	38½	47⅞		
16	41⅞	50¾	38⅞	50
17	43¾	53⅞		
18	46⅞	57	44⅞	56¼
19	49	60⅞		
20	51⅞	63¼	49⅞	62½
21	54⅞	66⅞		
22	57	69½	54⅞	68¾
23	59⅞	72⅞		
24	62¼	75¾	60	75
25	64⅞	78⅞		
26	67½	82	65¼	81¼
27	70⅞	85⅞		
28	72¾	88¼	70½	87½
29	75⅞	91⅞		
30	78	94½	75¾	93¼
31	80⅞	97⅞		
32	83¼	100¾	81	100
33	85⅞	103⅞		
34	88½	107	86¼	106¼
35	91⅞	110⅞		
36	93⅞	113¼	91½	112½
37	96½	116⅞		
38	99⅞	119½	96¾	118¾

No. of Vanes	Single Stack(in)		Split Stack(in)	
	CO	FBW	CO	FBW
39	101¾	122⅞		
40	104⅞	125¾	102	125
41	107	128⅞		
42	109⅞	132	107⅞	131¼
43	112¼	135⅞		
44	114⅞	138¼	112⅞	137½
45	117½	141⅞		
46	120⅞	144½	117⅞	143¾
47	122¾	147⅞		
48	125½	150¾	123⅞	150
49	128⅞	153⅞		
50	130¾	157	128⅞	156¼
51	133⅞	160⅞		
52	136	163¼	133⅞	162½
53	138⅞	166⅞		
54	141¼	169½	139	168¾
55	143⅞	172⅞		
56	146½	175¾	144¼	175
57	149⅞	178⅞		
58	151¾	182	149½	181¼
59	154⅞	185⅞		
60	157	188¼	154¾	187½
61	159⅞	191		
62			157¼	191

<b>FBW</b> = Finished Blind Width <b>CO</b> = Clear Opening <b>STACK</b> = FBW - CO
---

## General Information

### Fabric and Vinyl Vertical Vane Stacking Chart: One Touch® Control (Magnum™ and DuraLite™)

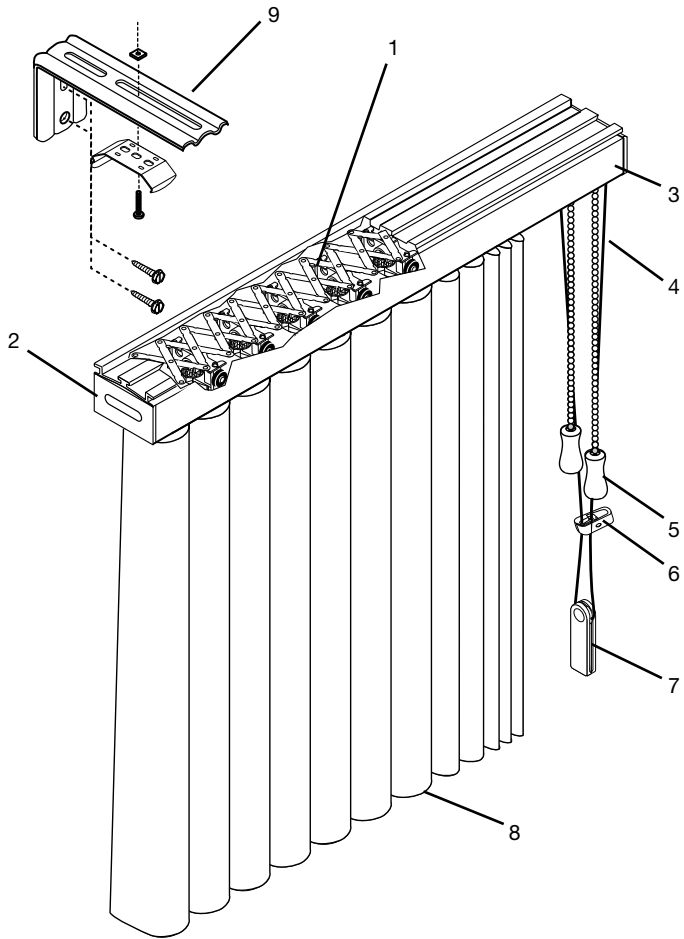
Magnum		
No. of Vanes	Single Stack (in)	
	CO	FBW
3	6 $\frac{1}{8}$	10
4	9	13 $\frac{1}{8}$
5	11 $\frac{3}{4}$	16 $\frac{1}{4}$
6	14 $\frac{1}{2}$	19 $\frac{3}{8}$
7	17 $\frac{1}{4}$	22 $\frac{1}{2}$
8	20 $\frac{1}{8}$	25 $\frac{5}{8}$
9	22 $\frac{3}{4}$	28 $\frac{5}{8}$
10	25 $\frac{5}{8}$	31 $\frac{3}{4}$
11	28 $\frac{3}{8}$	34 $\frac{7}{8}$
12	31 $\frac{1}{8}$	38
13	33 $\frac{7}{8}$	41 $\frac{1}{8}$
14	36 $\frac{5}{8}$	44 $\frac{1}{4}$
15	39 $\frac{1}{2}$	47 $\frac{3}{8}$
16	42 $\frac{1}{4}$	50 $\frac{1}{2}$
17	45	53 $\frac{1}{2}$
18	47 $\frac{3}{4}$	56 $\frac{5}{8}$
19	50 $\frac{5}{8}$	59 $\frac{3}{4}$
20	53 $\frac{3}{8}$	62 $\frac{7}{8}$
21	56 $\frac{1}{8}$	66
22	58 $\frac{7}{8}$	69 $\frac{1}{8}$
23	62	72 $\frac{1}{8}$
24	64 $\frac{3}{4}$	75 $\frac{1}{4}$
25	67 $\frac{1}{2}$	78 $\frac{3}{8}$
26	70 $\frac{3}{8}$	81 $\frac{1}{2}$
27	73	84 $\frac{5}{8}$
28	75 $\frac{7}{8}$	87 $\frac{3}{4}$
29	78 $\frac{5}{8}$	90 $\frac{7}{8}$
30	81 $\frac{3}{8}$	94
31	84 $\frac{1}{4}$	97 $\frac{1}{8}$
32	87	100 $\frac{1}{8}$
33	89 $\frac{3}{4}$	103 $\frac{1}{4}$
34	92 $\frac{1}{2}$	106 $\frac{3}{8}$
35	95 $\frac{5}{8}$	109 $\frac{1}{2}$
36	98	112 $\frac{5}{8}$
37	100 $\frac{7}{8}$	115 $\frac{3}{4}$
38	103 $\frac{5}{8}$	118 $\frac{7}{8}$
39	106 $\frac{3}{8}$	122
40	109 $\frac{1}{8}$	125
41	111 $\frac{7}{8}$	128 $\frac{1}{8}$
42	114 $\frac{3}{4}$	131 $\frac{1}{4}$
43	117 $\frac{1}{2}$	134 $\frac{3}{8}$
44	120 $\frac{1}{4}$	137 $\frac{1}{2}$
45	123 $\frac{3}{8}$	140 $\frac{7}{8}$
46	125 $\frac{3}{4}$	144
47	128 $\frac{7}{8}$	147 $\frac{1}{8}$
48	131 $\frac{3}{4}$	150 $\frac{1}{4}$
49	134 $\frac{3}{8}$	153 $\frac{3}{8}$
50	136 $\frac{3}{4}$	156

DuraLite		
No. of Vanes	Single Stack (in)	
	CO	FBW
3	6 $\frac{1}{4}$	10 $\frac{1}{8}$
4	8 $\frac{7}{8}$	13 $\frac{1}{4}$
5	11 $\frac{1}{2}$	16 $\frac{3}{8}$
6	14 $\frac{1}{8}$	19 $\frac{1}{2}$
7	16 $\frac{3}{4}$	22 $\frac{3}{8}$
8	19 $\frac{3}{8}$	25 $\frac{3}{4}$
9	22	28 $\frac{7}{8}$
10	24 $\frac{3}{4}$	32
11	27 $\frac{3}{8}$	35 $\frac{1}{8}$
12	30	38 $\frac{1}{4}$
13	32 $\frac{5}{8}$	41 $\frac{3}{8}$
14	35 $\frac{1}{4}$	44 $\frac{1}{2}$
15	37 $\frac{7}{8}$	47 $\frac{5}{8}$
16	40 $\frac{1}{2}$	50 $\frac{3}{4}$
17	43 $\frac{1}{8}$	53 $\frac{7}{8}$
18	45 $\frac{3}{4}$	57
19	48 $\frac{3}{8}$	60 $\frac{1}{8}$
20	51	63 $\frac{1}{4}$
21	53 $\frac{5}{8}$	66 $\frac{3}{8}$
22	56 $\frac{1}{4}$	69 $\frac{1}{2}$
23	59 $\frac{1}{4}$	72 $\frac{5}{8}$
24	61 $\frac{7}{8}$	75 $\frac{3}{4}$
25	64 $\frac{1}{2}$	78 $\frac{7}{8}$
26	67 $\frac{1}{8}$	82
27	69 $\frac{3}{4}$	85 $\frac{1}{8}$
28	72 $\frac{3}{8}$	88 $\frac{1}{4}$
29	75	91 $\frac{3}{8}$
30	77 $\frac{5}{8}$	94 $\frac{1}{2}$
31	80 $\frac{1}{4}$	97 $\frac{5}{8}$
32	82 $\frac{7}{8}$	100 $\frac{3}{4}$
33	85 $\frac{1}{2}$	103 $\frac{7}{8}$
34	88 $\frac{1}{8}$	107
35	90 $\frac{3}{4}$	110 $\frac{1}{8}$
36	93 $\frac{3}{8}$	113 $\frac{1}{4}$
37	96 $\frac{1}{8}$	116 $\frac{3}{8}$
38	98 $\frac{3}{4}$	119 $\frac{1}{2}$
39	101 $\frac{3}{8}$	122 $\frac{5}{8}$
40	104	125 $\frac{3}{4}$
41	106 $\frac{5}{8}$	128 $\frac{7}{8}$
42	109 $\frac{1}{4}$	132
43	111 $\frac{7}{8}$	135 $\frac{1}{8}$
44	114 $\frac{1}{2}$	138 $\frac{1}{4}$
45	117 $\frac{1}{8}$	141 $\frac{3}{8}$
46	119 $\frac{3}{4}$	144

**FBW** = Finished Blind Width  
**CO** = Clear Opening  
**STACK** = FBW - CO

## General Information

### Sheer Enchantment® Product Detail



#### 1. Zinc Plated Pantograph Traversing System

- Vanes rotate smoothly and easily as one for a perfectly synchronized appearance

#### 2. Fully Enclosed Drive End And Flush End Caps

- Provide a secure fit and clean finish

#### 3. Aluminum Headrail

- Will not rust
- Perfect for high humidity applications

#### 4. Traverse cord

#### 5. Rotation Chain with Tassels

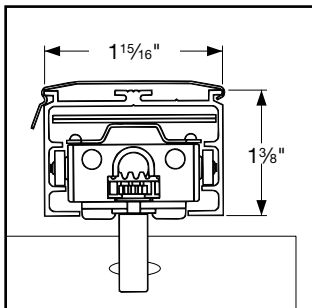
#### 6. Cord Tension Safety Guide

#### 7. Cord Weight

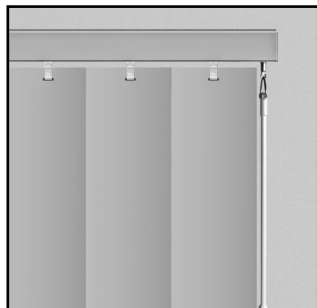
#### 8. Sheer Fabric

#### 9. Mounting Hardware

Inside Headrail View



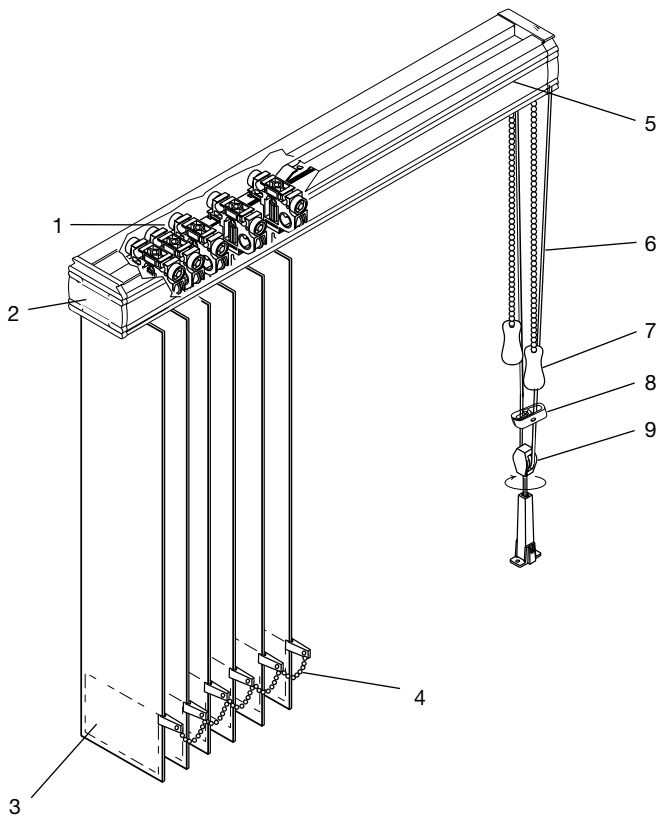
Exterior View



Features	Benefits
Easy install fabric	Install fabric after headrail installation; to clean, no need to take down entire blind
Skirt only option	Change fabric style or color when changing room décor
Washable fabric	Remove fabric from blind to machine wash
Fabric cut yardage	Create a personal look with scarves or valance from same blind material
Color coordinated thread	For finished appearance

## General Information

### Magnum™ G-98 Headrail Product Detail



#### 1. Thin Profile Carrier with Stainless Steel Linkage System

- Narrow carrier width provides reduced vane stack
- Self-aligning carriers for trouble-free operation

#### 2. Color-Coordinated End Caps

- Provide a clean, finished look

#### 3. Vane Weights

- Available on fabric vanes only
- Allow fabric to hang straight

#### 4. Bottom Chain (Optional)

- Stabilizes vanes in a moving air environment (i.e. screen door, heat register)

#### 5. Aluminum Headrail

- Will not rust
- Perfect for high-humidity applications

#### 6. Traverse Cord

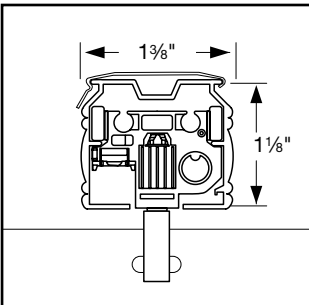
#### 7. Rotation Chain with Tassels

#### 8. Cord Safety Guide

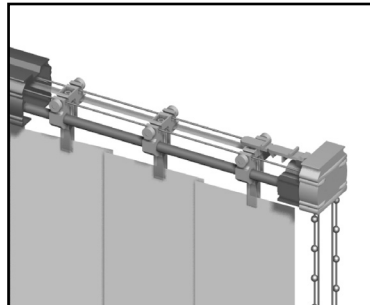
#### 9. Cord Tension Pulley

- Provides added safety and peace of mind

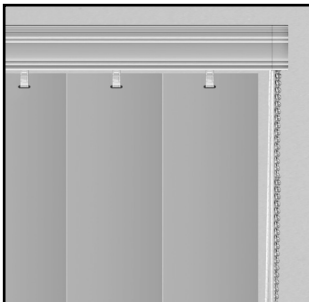
Inside Headrail View



Interior View



Exterior View

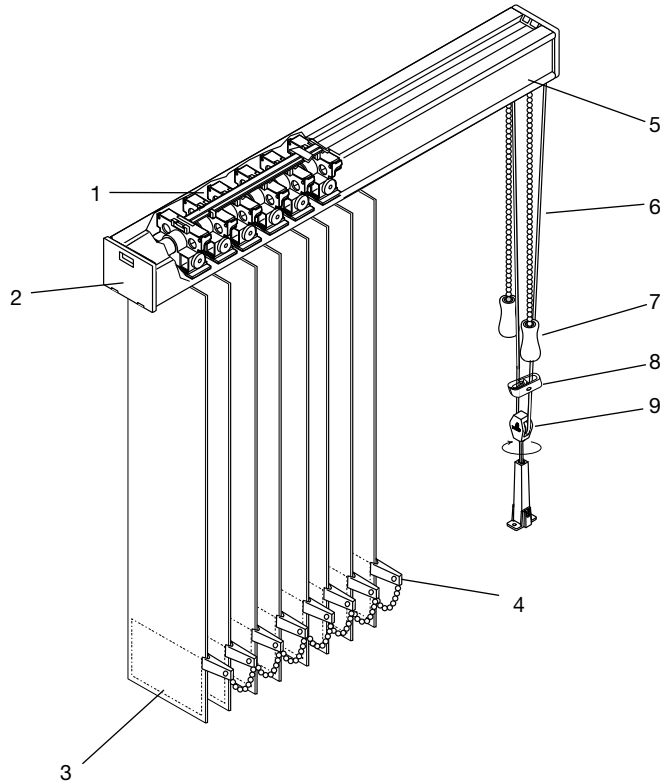


Features	Benefits
Heavy-duty Anodized Aluminum Headrail	Will not rust; ideal for high humidity applications
Thin Profile Carriers	Reduced stack
Self-aligning Carriers	Trouble-free operation
Fully Enclosed Drive and Flush End Caps	Provides a secure fit and clean, finished appearance
Low-friction Wheeled Carriers	Vaness traverse smoothly
Optional One Touch® Control	Safety and convenience
Centrally Located Carrier Stems and Symmetrical Cord and Chain control	Headrail reversible for right or left control installation
Clear Nylon Vane Stems	Nearly invisible, yet extremely strong



## General Information

### DuraLite™ G-85 Headrail Product Detail



#### 1. Nylon Carrier Linkage System

- Provides smooth traversing of vanes

#### 2. Color-Coordinated End Caps

- Provide a clean, finished look

#### 3. Vane Weights

- Available on fabric vanes only
- Allows fabric to hang straight

#### 4. Bottom Chain (Optional)

- Stabilizes vanes in a moving air environment (i.e. screen door, heat register)

#### 5. Steel Headrail

#### 6. Traverse Cord

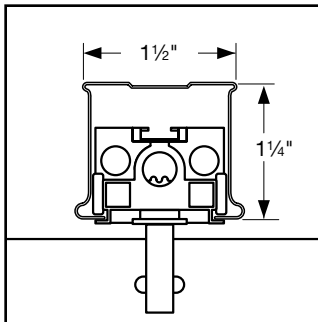
#### 7. Rotation Chain with Tassels

#### 8. Cord Safety Guide

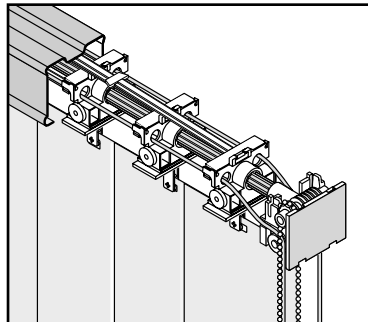
#### 9. Cord Tension Pulley

- Provides added safety and peace of mind

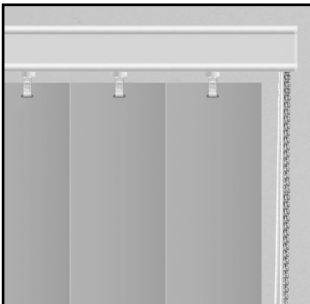
Inside Headrail View



Interior View



Exterior View



Features	Benefits
Steel Headrail with Ivory Finish	Provides strength and durability
Wheeled Carriers	Vanes traverse smoothly and easily
Centrally Located Carrier Stems	Headrail is reversible for right or left control position
Clear Nylon Vane Stems	Nearly invisible, yet extremely strong
Optional Stack and Control Positions	Single stack, split stack, opposite stack are available
Optional One Touch® Control	Safety and convenience

## General Information

### Warranty

#### Type of Warranty

##### Limited Lifetime on:

- ½", 1" and 2" Aluminum Horizontal Blinds, 2" headrail and components, Wood, Faux Wood and Composite Blinds, Vertical headrails, channel panels, valances, sheer fabric and painted or stained cornices (unfinished cornices are not warranted).

##### Three year on:

- 2" vinyl slats, 2" acrylic slats, Vertical vanes (vinyl, S-shaped and fabric).

##### What is Covered

This product is warranted against original defects in materials or workmanship for as long as the original purchaser owns the product provided that:

1. the product was properly installed in a residential dwelling;
2. The product was made or assembled exclusively from Springs Window Fashions materials and components;
3. Springs Window Fashions recommendations were followed with regard to limitations and specifications.

##### Who is Covered

This warranty extends only to you as the original purchaser of the above stated product.

##### Obligations to the Consumer

The obligations of Springs Window Fashions are limited to the repair or replacement of parts or products found to be defective.

Springs Window Fashions is not responsible for shipping costs or labor costs, for measuring and taking the product down or for remeasuring or reinstalling the product.

If repairs are made under this warranty, the repairs will be made with like or similar parts.

##### Motorization

Components and accessories have a five-year limited warranty. Batteries not included.

##### What the Warranty Does Not Cover

This warranty does not cover conditions or damages caused by abuse, accidents, alterations, misuse or failure to follow instructions for measurement, installation, use, cleaning or maintenance. Normal wear and tear, including but not limited to the items or occurrences below, is not covered by the warranty:

- Cut yardage.
- Unfinished cornices.
- When left for extended periods in direct sunlight, plastics tend to yellow or crack.
- Some slight warpage, as well as natural variations in color and grain, are normal with a wood product and are not considered defects. Areas of high humidity may cause excessive warpage of wood slats.
- Some loss of color intensity or discoloration may occur in plastic materials or wood finishes when exposed to direct sunlight over long periods of time.
- All fabrics can lose original intensity after long exposure to the sun.
- Colors may vary from lot to lot and may not exactly match samples of previous purchases.
- All cords will eventually wear out.

Springs Window Fashions considers these items and occurrences normal wear and tear and they are not covered by this warranty.

THIS WARRANTY IS EXCLUSIVE AND IN LIEU OF ALL OTHER WRITTEN OR ORAL WARRANTIES OR OBLIGATIONS AND LIABILITIES.

No person is authorized to extend or alter this warranty.

SPRINGS WINDOW FASHIONS SHALL HAVE NO LIABILITY WHATSOEVER FOR INCIDENTAL OR CONSEQUENTIAL DAMAGES.

Some states do not allow the exclusion or limitation of incidental or consequential damages, so this limitation or exclusion may not apply to you.

##### Service

Warranty claims must be accompanied by the original sales receipt as well as details regarding the nature of the problem, location of the product, etc. To obtain warranty service contact:

Customer Service Center  
Springs Window Fashions, LLC  
8467 Route 405 Highway South  
PO Box 500  
Montgomery, PA 17752-0500

You may also e-mail:  
windowfashions@springswindowfashions.com or  
call 1-800-221-6352

## Price Charts: Vertical Blinds

### Vinyl: Foundations, Stucco

<b>Price Group A: Magnum™ Headrail</b>														
Height up to ↓	Width up to →													Repl't Louvers
	25"	38"	51"	63"	76"	85"	88"	101"	120"	145"	170"	178"	191"	
48"	\$52	68	88	101	114	129	135	149	175	207	240	247	285	1
60"	55	71	92	107	124	137	144	158	186	220	257	266	304	2
72"	59	77	96	112	130	145	152	170	198	236	273	284	326	2
84"	61	81	104	118	137	154	159	179	210	248	289	301	347	2
96"	63	84	108	126	147	164	170	188	221	264	306	317	366	2
108"	65	90	112	130	153	172	177	199	234	278	324	334	388	3
120"	67	92	117	137	160	178	185	210	244	291	341	352	409	3
132"	69	98	126	145	169	186	195	218	257	307	359	374	435	4
144"	71	105	132	152	175	196	202	229	269	324	379	395	461	5
156"	75	110	139	159	181	204	211	239	284	339	400	417	486	6
168"	80	115	147	169	189	214	218	248	298	355	420	439	513	7
180"	83	122	153	176	196	223	226	260	311	372	441	461	540	8
192"	86	127	159	183	201	232	235	269	325	388	462	482	566	9

<b>Price Group A: DuraLite™ Headrail</b>														
Height up to ↓	Width up to →													Repl't Louvers
	25"	38"	51"	63"	76"	85"	88"	101"	120"	145"	170"	178¾"		
48"	\$49	65	76	87	101	112	116	127	151	177	201	210	1	
60"	52	68	83	95	111	120	123	138	161	191	222	228	2	
72"	56	72	88	101	118	130	134	151	176	206	237	246	2	
84"	58	75	95	110	123	138	142	160	186	222	255	263	2	
96"	60	80	100	116	134	146	153	170	198	236	273	282	2	
108"	64	85	105	120	140	157	161	181	212	251	292	301	3	
120"	66	88	113	127	148	163	171	191	224	265	310	319	3	
132"	68	96	120	136	157	175	180	200	236	283	331	341	4	
144"	71	102	127	143	163	182	189	212	250	300	352	367	5	

One Touch® Control outlined in the chart above. Maximum overall blind size is 10,080 sq. in. (w x h). Available at no charge.

<b>Price Group A: Valance Surcharges</b>													
Valance Type	Width up to →												
	25"	38"	51"	63"	76"	85"	88"	101"	120"	145"	170"	178"	
Round Corner	\$3	5	6	7	8	8	11	12	13	16	18	19	
Double Round Corner	6	10	12	14	16	16	22	24	26	32	36	38	

**NOTE:** The Square Corner valance is included at no charge with each blind order.  
 Replacement valance only—same as Round Corner surcharge price.  
 For all replacement valances greater than 178", use Round Corner surcharge for 178".  
**Round Corner valances available up to 175" only.**

See Blind Options and Bali Cornice and Valance Price List for alternative decorative options.

<b>Colors</b>		
<b>Vinyl</b>		
	<b>Foundations**</b>	<b>Stucco</b>
Classic.....	9307	Hopscotch.....9300
Cocoa.....	9317	Sand.....9308
Foam.....	9303	Snow.....9306
Fog.....	9312	Brisk.....6585
		Invitation.....6587
		Seaside.....6586
		Sidewalk.....6584

\*\*Coordinates with Bali® 2" Custom Vinyl Horizontal Blinds.

## Price Charts: Vertical Blinds

Vinyl: Americana, Channel Panel, Nevada, Parisian, Quinn

### Price Group B: Magnum™ Headrail

Height up to ↓	Width up to →													Repl't Louvers
	25"	38"	51"	63"	76"	85"	88"	101"	120"	145"	170"	178"	191"	
48"	\$59	80	104	116	137	152	158	175	207	243	284	295	338	2
60"	64	84	107	124	142	158	165	182	215	254	296	306	352	2
72"	65	88	110	127	148	165	172	191	223	266	307	318	366	3
84"	69	94	117	137	159	178	183	207	241	286	333	344	398	4
96"	71	96	122	142	166	182	191	215	248	298	346	356	413	4
108"	73	99	127	148	172	191	198	221	260	308	359	372	430	4
120"	77	104	130	151	177	201	204	229	269	319	373	385	447	5
132"	80	109	137	158	185	211	215	240	285	339	393	407	473	6
144"	82	114	144	166	195	220	226	252	300	357	413	427	499	7
156"	84	120	151	173	203	230	238	263	317	375	434	448	525	8
168"	86	126	157	179	212	239	248	274	332	394	454	469	552	9
180"	88	131	165	186	221	247	261	286	349	412	475	490	579	10
192"	90	137	172	194	231	257	272	297	364	431	496	509	604	11

### Price Group B: DuraLite™ Headrail

Height up to ↓	Width up to →													Repl't Louvers
	25"	38"	51"	63"	76"	85"	88"	101"	120"	145"	170"	178¾"		
48"	\$55	73	94	104	121	133	137	154	179	211	243	252	2	
60"	61	80	97	111	127	140	144	160	186	223	255	264	2	
72"	62	82	102	114	133	146	151	172	197	233	268	279	3	
84"	67	87	111	125	144	160	165	184	217	255	296	304	4	
96"	69	94	113	131	151	166	174	193	225	266	311	318	4	
108"	72	96	119	135	157	176	179	202	234	280	321	333	4	
120"	73	99	121	139	163	185	185	208	244	290	337	347	5	
132"	75	105	129	146	174	196	197	222	260	311	359	370	6	
144"	78	112	136	155	181	206	208	234	278	331	380	393	7	

One Touch® Control outlined in the chart above. Maximum overall blind size is 10,080 sq. in. (w x h). Available at no charge.

### Price Group B: Valance Surcharges

Valance Type	Width up to →												
	25"	38"	51"	63"	76"	85"	88"	101"	120"	145"	170"	178"	
Round Corner	\$4	6	7	8	11	12	13	14	17	20	21	23	
Double Round Corner	8	12	14	16	22	24	26	28	34	40	42	46	

**NOTE:** The Square Corner valance is included at no charge with each blind order.  
 Replacement valance only—same as Round Corner surcharge price.  
 For all replacement valances greater than 178", use Round Corner surcharge for 178".  
**Round Corner valances available up to 175" only on Vinyl Vertical Blinds.**

See Blind Options and Bali Cornice and Valance Price List for alternative decorative options.

### Colors

Vinyl			
Americana**	Channel Panel	Parisian	Quinn
Butter. . . . .3972	Ivory. . . . .7137	Caravan. . . . .3410	Couscous . . . . .3896
Fig . . . . .3977	White . . . . .7136	Cilantro . . . . .3415	February . . . . .3890
Jet Black . . . . .3974		Jardin. . . . .3418	Irish Oats . . . . .3897
Khaki . . . . .3970	<b>Nevada</b>	Louvre . . . . .3417	Silver Fox. . . . .3895
Memorial . . . . .3090	Dolphin . . . . .9021	Patisserie. . . . .3416	Tumbled Stone . . . . .3892
Oceanfront. . . . .3091	Drawbridge . . . . .9022	White . . . . .3412	Wonton . . . . .3893
White . . . . .3973	Khaki . . . . .9011		
	Patio . . . . .9020		
	Walnut . . . . .9014		

\*\* Coordinates with Bali 2" Custom Vinyl Horizontal Blinds.

## Price Charts: Vertical Blinds

**Vinyl: Alexandria, Dazzle, Premium Faux Wood, Sequoia**

**S-Shaped: Quatico**

**Fabric: Cascade, Shoreline, Spencer**

### Price Group C: Magnum™ Headrail

Height up to ↓	Width up to →													Repl't Louvers
	25"	38"	51"	63"	76"	85"	88"	101"	120"	145"	170"	178"	191"	
48"	\$72	98	124	143	167	185	190	214	252	298	347	356	406	3
60"	78	104	130	151	176	197	202	229	268	317	369	382	437	4
72"	80	109	137	160	186	209	216	241	284	338	392	408	465	4
84"	82	113	145	170	197	219	231	256	300	356	416	431	495	4
96"	89	118	152	178	207	233	240	270	316	378	439	455	525	5
108"	92	125	159	185	217	242	253	283	334	397	463	480	555	5
120"	95	130	168	195	229	255	265	297	350	417	486	503	584	5
132"	99	137	175	202	238	267	277	309	368	438	511	528	622	6
144"	104	145	181	212	246	277	289	323	387	459	533	552	652	7
156"	109	153	187	222	254	287	301	337	406	480	555	576	682	8
168"	114	161	193	232	262	297	313	351	425	501	577	600	712	9
180"	119	169	199	242	270	307	325	365	444	522	599	624	742	10
192"	124	177	205	252	278	317	337	379	463	543	621	648	772	11

### Price Group C: DuraLite™ Headrail

Height up to ↓	Width up to →													Repl't Louvers
	25"	38"	51"	63"	76"	85"	88"	101"	120"	145"	170"	178¾"		
48"	\$65	89	111	127	146	162	168	184	217	257	298	308	3	
60"	70	94	118	135	155	175	178	200	234	278	323	332	4	
72"	75	101	126	144	168	184	190	214	251	297	347	358	4	
84"	78	107	132	153	177	197	203	228	268	319	368	381	4	
96"	82	112	139	162	187	210	216	242	284	340	393	408	5	
108"	85	117	147	170	199	220	227	257	302	358	416	430	5	
120"	89	122	154	178	210	234	241	270	318	379	439	456	5	
132"	93	130	162	186	218	244	253	284	336	399	463	480	6	
144"	96	137	170	196	228	255	265	297	355	421	486	505	7	

One Touch® Control outlined in the chart above. Maximum overall blind size is 10,080 sq. in. (w x h). Available at no charge.

### Price Group C: Valance Surcharges

Valance Type	Width up to →												
	25"	38"	51"	63"	76"	85"	88"	101"	120"	145"	170"	178"	191"
Round Corner	\$7	9	11	12	13	14	16	17	19	22	26	27	28
Double Round Corner	14	18	22	24	26	28	32	34	38	44	52	54	56

### Price Group C: Stay Clear™ Channel Panel Surcharges

Width up to →	Width up to →													Repl't Louvers
	25"	38"	51"	63"	76"	85"	88"	101"	120"	145"	170"	178"	191"	
Channel Panel	\$19	30	53	68	75	86	98	105	122	146	175	185	195	3

**NOTE:** The Square Corner valance is included at no charge with each blind order. Replacement valance only—same as Round Corner surcharge price. **Round Corner valances available up to 175" only on Vinyl Vertical Blinds.**

See Blind Options and Bali Cornice and Valance Price List for alternative decorative options.

### Colors

Vinyl				Fabric				S-Shaped Quatico**	
Alexandria		Premium Faux Wood§		Cascade*		Spencer†			
Lamplight.....	3791	Cognac.....	3771	Loden.....	0207	Alabaster.....	4222	Cream.....	3391
Mink.....	3790	Natural.....	3773	Ocean Reef.....	0205	Buttered Rum.....	4202	Model.....	3395
Platinum.....	3792	Regal Oak.....	3772	Raffia.....	0204	Cottonball.....	4201	Ricotta.....	3396
<b>Dazzle**</b>		Wheat.....	3770	Riverbank.....	0206	Crystal.....	4219	Wishing Well.....	3397
Angora.....	3184	<b>Sequoia**</b>		<b>Shoreline*</b>		Frappuccino.....	4282		
Marine.....	3183	Cardamom.....	3610	Gray Cliff.....	0232	Granite.....	4250		
Midas.....	3187	Faded Birch.....	3612	Ice Shelf.....	0233	Mocha.....	4205		
Pewter.....	3186	Windmill.....	3614	Moccasin.....	0231	Outback.....	4203		
Snowfall.....	3185			Teak.....	0230				

\*\*Coordinates with Bali® 2" Custom Vinyl Horizontal Blinds.

† Coordinates with Bali Pleated Shades.

§ Coordinates with Bali Premium Faux Wood Blinds.

\* Some colors coordinate with Bali Roller Shades.

## Price Charts: Vertical Blinds

Vinyl: Estate, Laguna  
 S-Shaped: Lighthouse, Pembroke, Presidential  
 Fabric: Linen, Thatch

### Price Group D: Magnum™ Headrail

Height up to ↓	Width up to →														Repl't Louvers
	25"	38"	51"	63"	76"	85"	88"	101"	120"	145"	170"	178"	191"		
48"	\$79	108	138	162	188	210	217	243	285	341	396	408	461	3	
60"	85	117	149	174	202	228	235	262	310	370	430	446	505	4	
72"	93	125	160	187	219	245	253	284	334	401	467	483	548	4	
84"	96	134	171	200	234	261	273	307	361	429	500	519	594	4	
96"	102	141	183	214	249	281	289	326	384	460	537	555	637	5	
108"	108	149	191	227	264	297	309	348	411	489	572	594	680	5	
120"	113	158	203	239	282	314	326	369	435	521	608	630	723	5	
132"	120	165	214	251	294	326	341	386	456	545	638	661	765	6	
144"	126	172	224	260	307	341	352	404	476	572	667	690	802	7	
156"	134	180	232	272	320	355	365	421	497	602	698	720	842	8	
168"	140	187	242	282	332	370	377	440	516	629	727	748	882	9	
180"	148	193	252	292	346	383	389	456	537	656	756	778	920	10	
192"	156	203	260	302	359	397	401	474	556	681	785	807	959	11	

### Price Group D: DuraLite™ Headrail

Height up to ↓	Width up to →													Repl't Louvers
	25"	38"	51"	63"	76"	85"	88"	101"	120"	145"	170"	178¾"		
48"	\$72	99	122	140	165	184	188	213	248	295	342	352	3	
60"	78	107	134	156	180	201	206	232	274	323	377	390	4	
72"	84	116	143	167	195	218	225	253	296	353	413	424	4	
84"	91	122	156	180	213	235	243	275	322	383	446	461	4	
96"	96	132	166	192	227	253	260	295	348	414	482	498	5	
108"	100	139	178	206	243	272	280	314	373	444	517	536	5	
120"	107	147	187	219	257	288	297	336	396	473	552	571	5	
132"	113	156	197	231	272	301	310	353	418	499	581	603	6	
144"	119	163	206	242	283	313	322	370	438	525	610	634	7	

One Touch® Control outlined in the chart above. Maximum overall blind size is 10,080 sq. in. (w x h). Available at no charge.

### Price Group D: Valance Surcharges

Valance Type	Width up to →													
	25"	38"	51"	63"	76"	85"	88"	101"	120"	145"	170"	178"	191"	
Round Corner	\$8	11	12	13	14	16	17	18	20	23	27	28	29	
Double Round Corner	16	22	24	26	28	32	34	36	40	46	54	56	58	

### Price Group D: Stay Clear™ Channel Panel Surcharges

Width up to →	Repl't Louvers													
	25"	38"	51"	63"	76"	85"	88"	101"	120"	145"	170"	178"	191"	
Channel Panel	\$19	30	53	68	75	86	98	105	122	146	175	185	195	3

**NOTE:** The Square Corner valance is included at no charge with each blind order. Replacement valance only—same as Round Corner surcharge price. **Round Corner valances available up to 175" only on Vinyl Vertical Blinds.**

See Blind Options and Bali Cornice and Valance Price List for alternative decorative options.

### Colors

Vinyl		S-Shaped		Fabric	
Estate	Laguna	Lighthouse	Presidential**	Linen*	Thatch*
Cutlass .....6801	Balsam .....6951	Bella .....3580	Chalk .....6691	Natural .....1710	Almond .....1562
Doublon .....6799	Castle .....6952	Misty White .....3331	Embassy .....6693	Oak .....1712	Coffee .....1565
Frosted Grape .....6800	Drift .....6950	Tan .....3334	Fog .....6697	Pecan .....1711	Natural .....1560
Hot Cocoa .....6796	Windsurf .....6953	White .....3330	Jefferson .....6700	Walnut .....1713	Sage .....1561
Light Sand .....6791			Roosevelt .....6699		Toffee .....1563
Oar .....6802			Washington .....6698		
Paper .....6790					
		<b>Pembroke**</b>			
		Arcade .....9681			
		Carbo .....9684			
		Classic Ivory .....9682			
		Driftwood .....9683			

\*Some colors coordinate with Bali Roller Shades.

\*\*Coordinates with Bali 2" Custom Vinyl Horizontal Blinds.

## Price Charts: Vertical Blinds

**Vinyl: Dorado**  
**S-Shaped: Buckskin**  
**Fabric: Monroe, Runway, Tufte**

### Price Group E: Magnum™ Headrail

Height up to ↓	Width up to →													Repl't Louvers
	25"	38"	51"	63"	76"	85"	88"	101"	120"	145"	170"	178"	191"	
48"	\$89	120	155	180	209	236	244	272	320	383	444	461	524	4
60"	95	131	167	196	229	258	267	300	352	420	490	507	578	5
72"	102	142	182	214	249	280	290	325	384	460	535	552	635	5
84"	108	152	196	230	269	302	313	353	417	498	581	601	691	6
96"	117	161	209	246	290	324	337	381	446	535	624	649	749	6
108"	123	175	224	262	310	349	359	408	479	573	670	693	805	7
120"	130	182	239	280	330	370	384	434	510	613	716	742	861	8
132"	138	192	251	297	351	394	411	463	547	654	761	791	922	9
144"	145	206	265	316	370	419	439	492	585	694	810	843	983	11
156"	153	216	278	333	389	444	513	522	622	736	858	893	1042	12
168"	159	229	292	351	409	470	550	566	659	777	905	942	1102	13
180"	166	241	304	369	428	496	578	618	695	816	953	993	1162	14
192"	175	252	318	390	446	520	606	668	732	858	1001	1043	1222	15

### Price Group E: DuraLite™ Headrail

Height up to ↓	Width up to →													Repl't Louvers
	25"	38"	51"	63"	76"	85"	88"	101"	120"	145"	170"	178¾"	191"	
48"	\$81	109	136	157	183	205	211	238	278	331	384	397	4	
60"	86	119	151	175	204	227	235	263	309	366	427	441	5	
72"	95	129	163	189	223	248	256	289	340	405	471	488	5	
84"	99	140	178	206	243	271	279	314	369	444	517	534	6	
96"	109	151	189	222	263	293	303	341	401	482	561	580	6	
108"	115	160	205	240	281	314	324	367	432	519	605	625	7	
120"	121	172	218	254	303	338	348	394	465	555	649	671	8	
132"	129	181	233	274	321	361	375	423	500	596	697	720	9	
144"	136	190	245	290	342	384	402	452	537	638	743	771	11	

One Touch® Control outlined in the chart above. Maximum overall blind size is 10,080 sq. in. (w x h). Available at no charge.

### Price Group E: Valance Surcharges

Valance Type	Width up to →												
	25"	38"	51"	63"	76"	85"	88"	101"	120"	145"	170"	178"	191"
Round Corner	\$9	12	13	14	16	17	18	19	21	24	28	29	30
Double Round Corner	18	24	26	28	32	34	36	38	42	48	56	58	60

### Price Group E: Stay Clear™ Channel Panel Surcharges

Width up to →	Width up to →													Repl't Louvers
	25"	38"	51"	63"	76"	85"	88"	101"	120"	145"	170"	178"	191"	
Channel Panel	\$19	30	53	68	75	86	98	105	122	146	175	185	195	3

**NOTE:** The Square Corner valance is included at no charge with each blind order. Replacement valance only—same as Round Corner surcharge price. **Round Corner valances available up to 175" only on Vinyl Vertical Blinds.**

See Blind Options and Bali Cornice and Valance Price List for alternative decorative options.

### Colors

S-Shaped Buckskin**	Vinyl Dorado	Fabric Monroe	Fabric Tufte†
Creek . . . . .6648	Agave . . . . .3134	Blonde . . . . .0430	Cream Soda . . . . .0440
Espresso . . . . .6640	Hacienda . . . . .3130	Bramble . . . . .0433	Panna Cotta . . . . .0441
Footbridge . . . . .6647	Maize . . . . .3133	Green Tea . . . . .0432	Tiramisu . . . . .0442
Natural . . . . .6643	Mantilla . . . . .3131	Icon . . . . .0431	
Thistle . . . . .6646	Tequila . . . . .3132	<b>Runway*</b>	
		Concord . . . . .0511	
		Ecco . . . . .0512	
		Imperial . . . . .0513	
		Pepper . . . . .0510	

\*\*Coordinates with Bali® 2" Custom Vinyl Horizontal Blinds.

†Coordinates with Bali Pleated Shades.

\*Some colors coordinate with Bali Roller Shades.

## Price Charts: Vertical Blinds

Fabric: Fiddlestix, Keepsake, Panorama

### Price Group F: Magnum™ Headrail

Height up to ↓	Width up to →													Repl't Louvers
	25"	38"	51"	63"	76"	85"	88"	101"	120"	145"	170"	178"	191"	
48"	\$108	144	186	217	250	286	293	328	386	461	536	557	630	5
60"	115	158	203	236	276	312	321	361	425	507	590	612	698	6
72"	123	171	219	259	299	338	351	393	462	555	646	666	765	6
84"	131	182	236	277	323	364	377	426	503	600	700	726	833	8
96"	140	195	250	296	351	392	406	459	539	646	752	782	904	8
108"	150	210	269	317	375	421	433	492	578	692	808	836	970	9
120"	157	219	288	338	397	447	462	522	615	738	862	894	1039	11
132"	166	232	302	358	424	475	496	559	660	789	918	953	1112	12
144"	176	247	320	381	447	505	529	593	705	837	976	1015	1184	16
156"	186	262	338	404	470	535	562	627	750	885	1034	1077	1256	17
168"	196	277	356	427	493	565	595	661	795	933	1092	1139	1328	18
180"	206	292	374	450	516	595	628	695	840	981	1150	1201	1400	19
192"	216	307	392	473	539	625	661	729	885	1029	1208	1263	1472	20

### Price Group F: DuraLite™ Headrail

Height up to ↓	Width up to →													Repl't Louvers
	25"	38"	51"	63"	76"	85"	88"	101"	120"	145"	170"	178¾"		
48"	\$98	133	168	193	225	250	260	291	341	404	470	486	5	
60"	106	146	183	214	249	279	288	321	377	448	524	540	6	
72"	116	158	201	233	271	305	315	354	417	496	577	598	6	
84"	123	172	217	253	297	332	342	385	453	545	633	655	8	
96"	133	183	233	270	321	359	371	418	492	590	687	711	8	
108"	141	197	250	293	345	385	398	450	529	636	741	765	9	
120"	149	209	267	312	371	415	427	483	570	680	795	820	11	
132"	158	221	286	336	395	442	460	518	613	731	853	881	12	
144"	168	234	300	355	419	470	493	554	659	781	908	946	16	

One Touch® Control outlined in the chart above. Maximum overall blind size is 10,080 sq. in. (w x h). Available at no charge.

### Price Group F: Valance Surcharges

Valance Type	Width up to →												
	25"	38"	51"	63"	76"	85"	88"	101"	120"	145"	170"	178"	191"
Round Corner	\$11	14	16	17	18	21	22	23	27	31	34	38	40
Double Round Corner	22	28	32	34	36	42	44	46	54	62	68	76	80

### Price Group F: Stay Clear™ Channel Panel Surcharges

Width up to →	Width up to →													Repl't Louvers
	25"	38"	51"	63"	76"	85"	88"	101"	120"	145"	170"	178"	191"	
Channel Panel	\$19	30	53	68	75	86	98	105	122	146	175	185	195	3

**NOTE:** The Square Corner valance is included at no charge with each blind order. Replacement valance only—same as Round Corner surcharge price. **Round Corner valances available up to 175" only on Vinyl Vertical Blinds.**

See Blind Options and Bali Cornice and Valance Price List for alternative decorative options.

### Colors

FIDDLESTIX*†			Fabric			PANORAMA*		
			KEEPSAKE					
Birch . . . . .	2510		Golden Years . . . . .	0172		Open Sky . . . . .	0072	
Nutmeg . . . . .	2504		Heirloom . . . . .	0171		Overlook . . . . .	0070	
Oak Bark . . . . .	2512		Tintype . . . . .	0170		Vista . . . . .	0071	
Tree Trunk . . . . .	2513							

\*Some colors coordinate with Bali Roller Shades.†Coordinates with Bali Pleated Shades.



## Price Charts: Vertical Blinds

### Sheer Fabric: Illuminate, Impressions II

Price Group G														
Height up to ↓	Width up to →													Repl't Louvers
	25"	38"	51"	63"	76"	85"	88"	101"	120"	145"	170"	178"	191"	
48"	\$338	413	504	599	674	777	789	879	978	1111	1454	1537	1648	1
60"	368	499	565	638	726	789	804	890	1048	1254	1508	1593	1701	2
72"	387	504	572	644	734	796	831	932	1080	1288	1521	1606	1717	2
84"	392	512	580	654	741	804	838	941	1101	1376	1534	1622	1734	2
96"	396	522	589	663	751	813	846	949	1129	1397	1549	1635	1748	2
104"	403	523	595	670	758	821	854	955	1157	1420	1560	1647	1758	3

See Blind Options and Bali Cornice and Valance Price List for alternative decorative options.

### Colors

#### Sheer Fabric

Illuminate	Impressions II
Champagne . . . . . 1720	Marble . . . . . 1740
Marble . . . . . 1722	White . . . . . 1741
Snow White . . . . . 1724	Winter . . . . . 1742
White . . . . . 1725	

### Sheer Fabric: Akbar, Edon, Kobe

Price Group H														
Height up to ↓	Width up to →													Repl't Louvers
	25"	38"	51"	63"	76"	85"	88"	101"	120"	145"	170"	178"	191"	
48"	\$392	478	584	694	779	899	914	1016	1131	1283	1682	1778	1906	1
60"	427	579	656	738	841	914	929	1030	1212	1451	1745	1844	1968	2
72"	448	585	663	746	849	922	961	1078	1252	1491	1760	1859	1987	2
84"	455	595	673	757	859	929	970	1089	1275	1593	1776	1876	2006	2
96"	460	605	682	767	869	942	979	1098	1307	1618	1793	1893	2024	2
104"	468	607	690	777	878	950	989	1106	1340	1645	1804	1907	2036	3

See Blind Options and Bali Cornice and Valance Price List for alternative decorative options.

### Colors

#### Sheer Fabric

Akbar	Edon	Kobe
Oasis . . . . . 2760	Cream . . . . . 2222	Marble . . . . . 2080
	Pearl . . . . . 2221	
	Snow . . . . . 2220	

## Options Pricing

### Replacement Headrail Pricing

Width up to →	25"	38"	51"	63"	76"	85"	88"	101"	120"	145"	170"	178**	191"
Sheer Headrail	\$38	58	77	96	115	128	134	153	182	219	259	268	290
Magnum™	33	49	64	81	96	109	113	127	154	185	217	225	244
DuraLite™*	24	37	48	60	71	81	85	95	114	137	161	167	NA

\*For DuraLite maximum size is 178¾" and falls in this price block.

**NOTE:** Valance not included with replacement headrail. Must be ordered separately. See individual Price Chart for ordering.  
Replacement headrails include installation hardware.

### Replacement Sheer Enchantment® Fabric Pricing

Width up to →	25"	38"	51"	63"	76"	85"	88"	101"	120"	144"	170"	178"	191"
Group G	\$285	433	464	558	617	640	677	759	894	1060	1251	1309	1407
Group H	334	509	549	658	739	763	809	908	1072	1273	1502	1572	1688

### Replacement Dauphine® Valance: Shirred Fabric Only Pricing

Width up to →	25"	38"	51"	63"	76"	85"	88"	101"	120"	144"	170"	178"	191"
Valance Fabric Only	\$7	9	14	18	20	23	24	27	33	39	47	48	51

### Replacement Dauphine Valance with Shirred Fabric Pricing

Width up to →	25"	38"	51"	63"	76"	85"	88"	101"	120"	144"	170"	178"	191"
Group G	\$34	51	68	86	104	120	122	144	165	203	240	252	269
Group H	40	59	79	96	115	128	134	152	181	218	259	269	290

### Replacement Round-corner and Double Round-corner Valance Pricing

Width up to →	25"	38"	51"	63"	76"	85"	88"	101"	120"	144"	170"	178"	191"
Group G	\$34	51	68	86	104	120	122	144	165	203	240	252	269
Group H	40	59	79	96	115	128	134	152	181	218	259	269	290

### Curved Headrail Surcharge

To determine price: Price as Magnum™ Vertical Blind, then add the appropriate surcharge.

Width up to →	48"	63"	75"	85"	88"	100"	113"	120"	132"	144"	158"	168"
Surcharge	\$121	174	200	221	229	255	282	297	322	349	374	400

### Everglide Headrail System (for Curved and Replacement Angled Headrails)

Width up to →	25"	38"	50"	63"	75"	85"	88"	100"	113"	120"	132"	144"	158"	170"	177"	191"
Everglide	\$37	57	73	94	112	126	131	149	169	179	198	215	234	254	262	285

## Options Pricing

Option	Surcharge
Angled Window Headrail	Price as Magnum™ headrail, then add 50% to price of angle width and longest vane length.
Bay and Corner Window	No charge
Bottom Chain and Clips (fabric)	No charge
Bottom Chain (vinyl)	No charge
Curved Headrail	See Price Chart on previous page
Cut-Outs	No charge
Cut Yardage	Illuminate, Impressions II: \$20 Akbar, Edon, Kobe: \$40
Dauphine® Valance	No charge
Double Round-corner Valance	See Price Charts for surcharge (no charge for Sheer Enchantment®)
Everglide Headrail System	See Price Chart above
One Touch® Control	No charge (see availability in Price Charts)
Paired Blinds	Price as two separate blinds and add together.
Projection Brackets: 4 $\frac{3}{8}$ "	No charge
Replacement Headrail	See Price Chart above
Round-corner Valance	See Price Charts for surcharge (no charge for Sheer Enchantment)
Square-corner Valance	No charge
Stay Clear™ Channel Panels	See surcharge in the Price Charts
Vane Replacement	See Price Charts
Wood Cornices and Valances	See Cornice and Valances Tab for pricing information



Bali is a brand of Springs Window Fashions, the Best Experience Company 

Bali and the Bali logo are registered trademarks of Springs Window Fashions, LLC.

21-0623-05 (09/15) 536|S150883