



The specialist for fastening technology

OUR 
**PRODUCTS FOR
DECK BUILDERS**

PEDESTALS

WEDGES/SHIMS

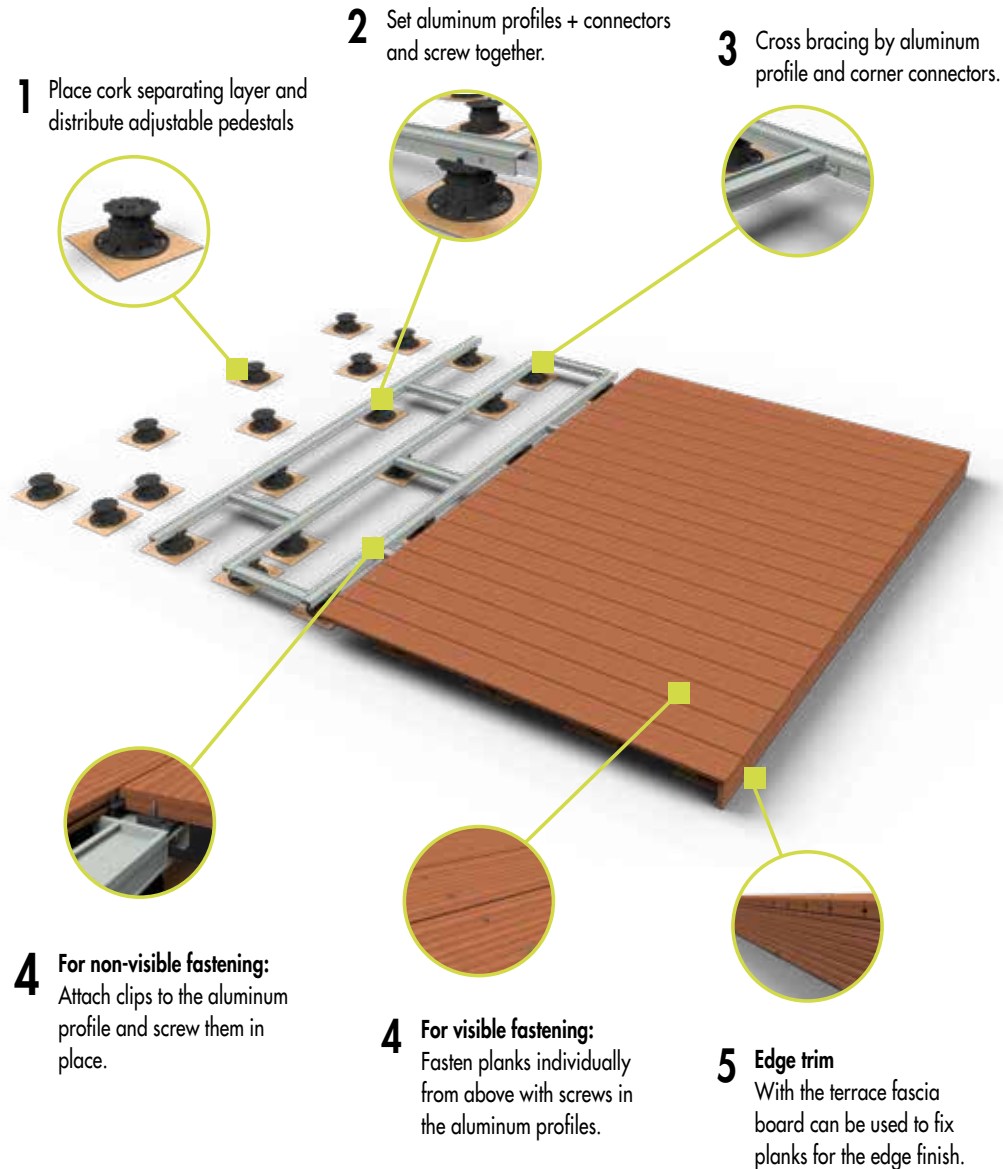
DECKING SCREWS

TOOLS AND AIDS

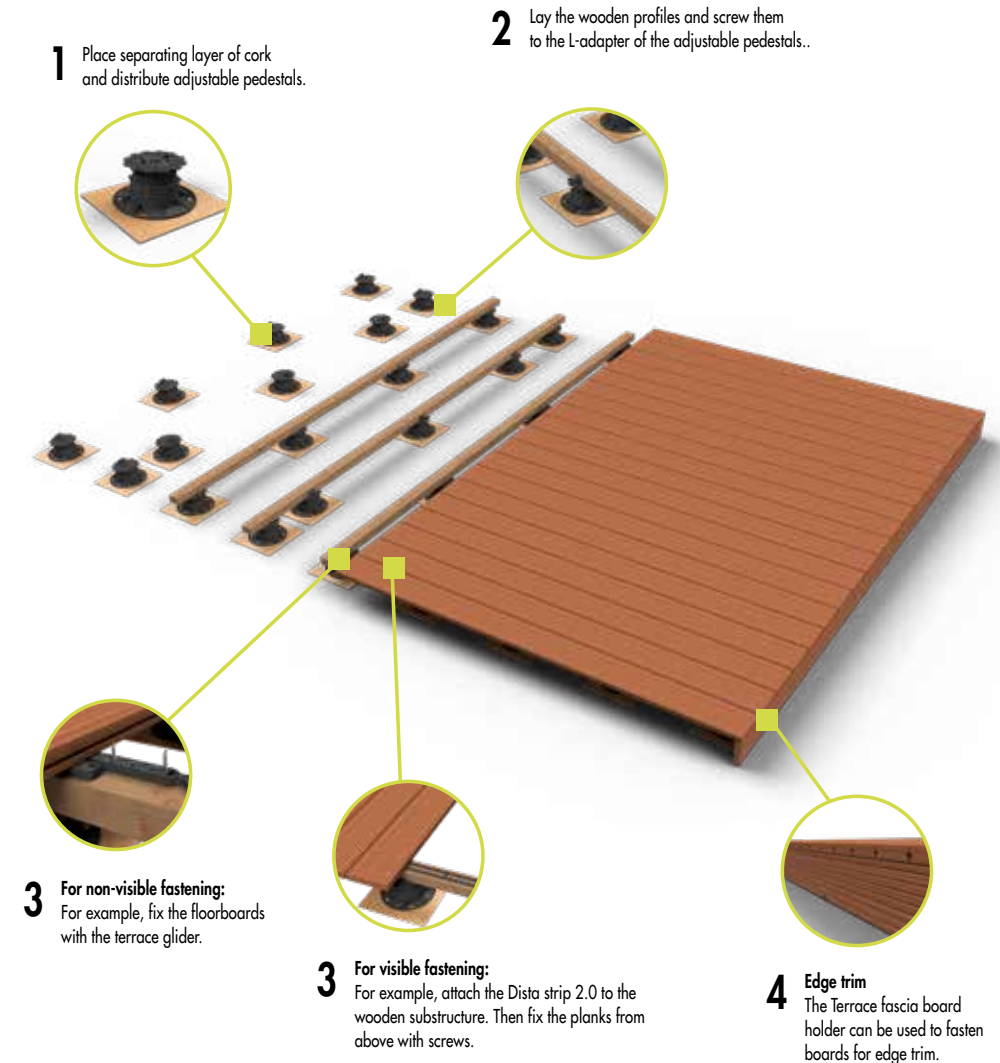
CONTENTS

TERRACES WITH SUBSTRUCTURES	4
ADJUSTABLE PEDESTALS Adjustable pedestals PRO Adjustable pedestals SL PRO Adjustable pedestals ECO SL BASE Adjustable pedestals Adjustable pedestals GIANT	5
ALUMINIUM SYSTEM PROFILE Aluminium system profile EVO EVO Light aluminium system profile	18
DISTANCE STRIP	20
WEDGES Shim Mix 1 Wedges Mix 2 Wedges Mix 3	21
TERRACE SCREWS Terrasotec High-end deck screw #304 FloorFix #316 steel Terrasotec Trilo #410 steel	22
DRILL TOOL 50X	24
DECKING CLIP	26

TERRACES WITH ALUMINUM SUBSTRUCTURE



TERRACES WITH WOODEN SUBSTRUCTURE



NOTICE:

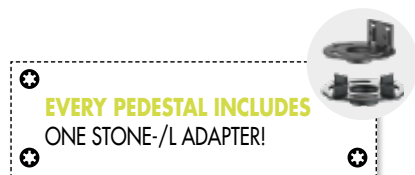
You can find an overview of our entire patio range in our current patio catalog!

ADJUSTABLE PEDESTALS PRO

The adjustable pedestals PRO are **suitable for timber decks and stone patios** with various assembly heights. The Profi-Line series of adjustable pedestals from Eurotec provides you with a modular system: **innovative, universal, versatile and user-friendly!** The series comprises six adjustable pedestals of different heights. **Their assembly heights can be altered with extension rings or extension plates.** The adjustable pedestal is completed by three different types of adapter: L adapter - for classic timber substructures or modern aluminium substructures

PROPERTIES/ADVANTAGES

- Basic assembly heights of 1-1/8" to 6-5/8"
- High load-bearing capacity of up to 1795 Lbs
- Quick and easy assembly
- Stepless height adjustment
- Resistant to weather, UV exposure, insects and rod



Art. no.	Name	Assembly height [inch]	Load-bearing capacity	PU QTY
INC954020	PRO XXS	0-25/64 – 0-19/32	895	50
INC954061	PRO XS	0-55/64 – 1-3/16	1795	20
INC946070	PRO S	1-1/8 – 2-1/8	1795	10
INC946071	PRO M	2-1/8 – 3-1/4	1795	10
INC946072	PRO L	2-3/4 – 4-5/8	1795	10
INC946079	PRO XL	2-7/8 – 6-5/8	1795	10

ADJUSTABLE PEDESTALS SL PRO

WITH CONTINUOUSLY ADJUSTABLE SELF-LEVELING HEAD



The Eurotec SL PRO M and L adjustable pedestals are **suitable for installing deck substructures in outdoor applications.** The top of the pedestal is freely adjustable and self-leveling, which means that an uneven floor with a **gradient up to 8 %** can be compensated. The key benefit of the SL PRO is that no additional pedestals or setups are needed for it to work properly.

The **self-leveling pedestal** can be used as drainage as well. It can create a small slope of 1 – 2 % so water can run freely.



PROPERTIES/ADVANTAGES

- Self levelling for slopes up to 8 %
- Stepless height adjustment from 2-2/8" to 4"
- Can be combined with the PRO adapters and extension rings

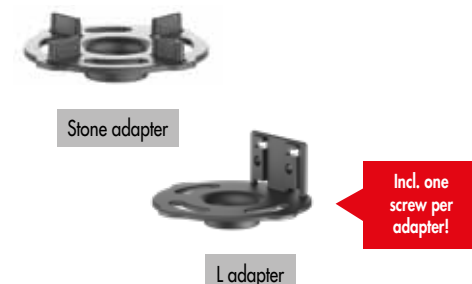
NOTE
Not suitable for individual support.

Art. no.	Name	Assembly height [inch]	Load-bearing capacity	PU QTY
INC946071-SL	SL PRO M	2-3/16 – 3-5/16	1795	50
INC946072-SL	SL PRO L	2-7/8 – 4	1795	20

ADAPTERS

PROPERTIES/ADVANTAGES

- Stone adapter: For stone slabs
- L adapter: For aluminium or timber profiles



NIVELLO 2.0

FOR PROFILINE ADJUSTABLE PEDESTALS

The Nivello 2.0 is a washer that can be mounted beneath the Eurotec Profi-Line series S-XL of adjustable pedestals in order to level out slight slopes or inclines in an installation surface.

PROPERTIES

- Versatile slope adjustment
Minimum slope: 0,5 %
Maximum slope: 10 %
Slope can be adjusted in steps of 0,5 %
- Click-locking of adjustable pedestals
- Large bearing surface
- Can be combined with
PRO pedestals S, M, L and XL and
ECO pedestals M, L and XL



The Nivello 2.0



The Nivello 2.0 with the adjustable pedestals PRO M.

Art. no.	Name	PU QTY
INC946035	Nivello 2.0	10

EXTENSION RINGS AND BASE PLATE



Extension rings



Base plate PRO XXS

Art. no.	Name	Assembly height [inch]	Load-bearing capacity	PU QTY
INC946074	Extension ring + 4	+ 1-5/8	1795	40
INC946073	Extension ring + 10	+ 3-7/8	1795	10
INC954021	Base plate PRO XXS	0-13/64	895	50

APPLICATION OF OUR PRO PEDESTALS

PROPERTIES/ADVANTAGES

- The adjustable pedestals can be placed directly onto compacted subsoil or concrete. The bearer beams are placed on them
- Find the correct heights from ground to the bottom of substructure
- The adjustable pedestals can be expanded with different adapter depending on the application
- In order to mount the adapters, they are pressed into the rounding on the base pedestals
- Level out the substructure
- The height can be adjusted steplessly. To compensate greater differences, the foot can be extended with our extension rings
- To compensate for falls, the pedestals can be combined with the Nivello 2.0
- Now apply one of our aluminium substructures or simply lay the stone slabs onto the Stone adapters



The PRO pedestals on cork.

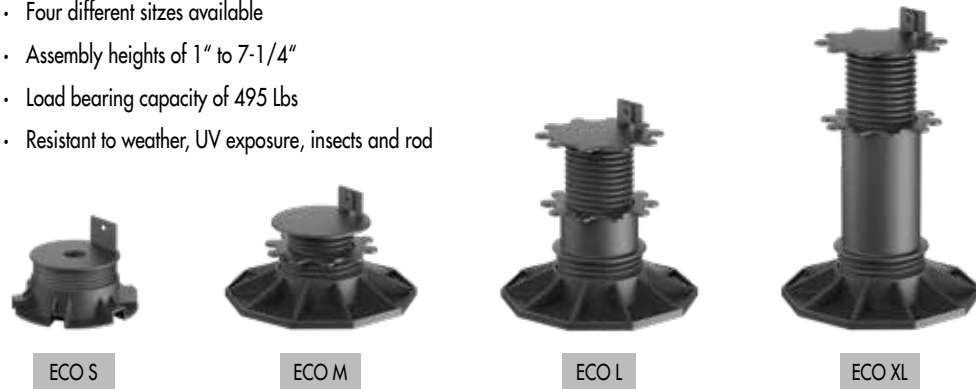


The PRO pedestal on an aluminum substructure.

ADJUSTABLE PEDESTALS ECO

PROPERTIES/ADVANTAGES

- Suitable for substructures made of timber and aluminium
- Four different sizes available
- Assembly heights of 1" to 7-1/4"
- Load bearing capacity of 495 Lbs
- Resistant to weather, UV exposure, insects and rod



Art. no.	Name	Assembly height [inch]	Load-bearing capacity	PU QTY
INC945591	ECO S	1 – 1-1/2	495	50
INC946020	ECO M	1-3/8 – 2-1/2	495	20
INC946024	ECO L	2-1/2 – 5-1/8	495	20
INC946025	ECO XL	5-1/8 – 7-3/4	495	15

ECO S BASE

PROPERTIES/ADVANTAGES

- Increases the supporting area of the ECO S pedestal
- The pedestal can be simply clicked onto the base
- Increases the assembly height



Art. no.	Name	Assembly height [inch]	PU QTY
INC945448	ECO S BASE	+0-5/64	50

APPLICATION OF OUR ECO PEDESTALS

- The adjustable pedestals can be placed directly onto compacted subsoil or concrete. The bearer beams are placed on them
- This removes the need to create expensive foundations and install spacers to even out the height of the substructure timbers
- Find the correct heights from ground to the bottom of substructure
- Now place the pedestals with the correct according to your wood joist load capacity
- Level out the substructure
- The height can be adjusted steplessly, together with that of the supported joist, which is connected directly to the adjustable pedestal with a bracket
- Secure the wood joist to the feet with screws
- Finally mounting the deck boards
- Finish!



The ECO pedestal on a wooden substructure.

SL BASE ADJUSTABLE PEDESTALS

FOR UNCOMPLICATED TERRACE CONSTRUCTION WITH SLOPE

The Eurotec adjustable pedestal SL BASE is **ideal for the laying of decking substructures for outdoor use**. The head of the adjustable pedestal SL BASE is self-adjusting and compensates for slopes on surfaces and **terrain unevenness of up to 7 %**. The adjustable pedestal SL BASE also allows the simple **creation of slopes of 1 – 2 %** of the terrace surface for draining purposes.

PROPERTIES/ADVANTAGES

- Continuous self-adjusting of up to 7 %
- Suitable for substructures of aluminium and wood
- Available in four different sizes
- Can be combined with SL BASE-L-adapter, 40 and 60
- Construction heights of 1-17/64" - 8-35/64"
- Load capacity of up to 495 lbs/pedestal



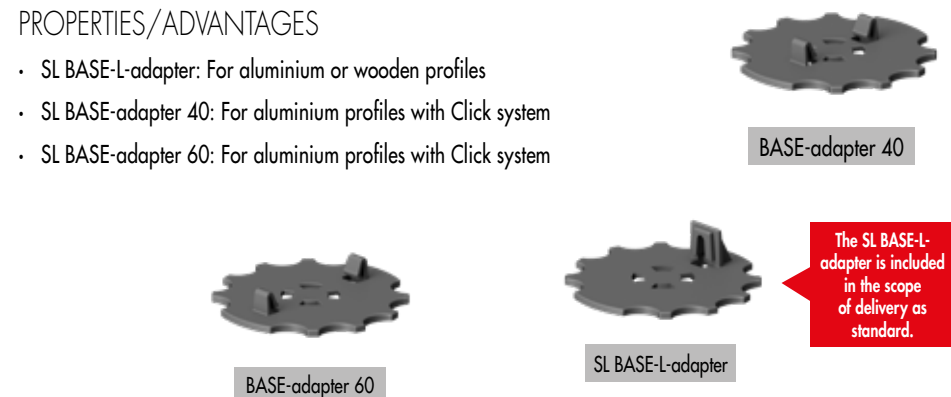
Art. no.	Name	Assembly height [inch]	Load-bearing capacity* [lbs]	PU QTY
INC100000-SL	Adjustable pedestal SL BASE S with L-adapter	1-17/64" - 1-27/32"	495	40
INC100001-SL	Adjustable pedestal SL BASE M with L-adapter	1-27/32" - 2-41/64"	495	30
INC100002-SL	Adjustable pedestal SL BASE L with L-adapter	2-41/64" - 4-39/64"	495	30
INC100003-SL	Adjustable pedestal SL BASE XL with L-adapter	4-39/64" - 8-35/64"	495	20

*The specified load-bearing capacity values are recommended values. With these loads, the adjustable pedestals only deform by approx. 2 mm. The load-bearing capacity before actual fracture is many times higher.

ADAPTERS

PROPERTIES/ADVANTAGES

- SL BASE-L-adapter: For aluminium or wooden profiles
- SL BASE-adapter 40: For aluminium profiles with Click system
- SL BASE-adapter 60: For aluminium profiles with Click system



Art. no.	Name	Material	PU QTY
	SL BASE-L-adapter	PP-C	
INC100005-SL	SL BASE-adapter 40	PP-C	10
INC100006-SL	SL BASE-adapter 60	PP-C	10



The SL BASE adjustable pedestal with a wooden substructure.

ADJUSTABLE PEDESTALS GIANT

THE ADJUSTABLE PEDESTAL FOR LARGE FORMAT STONE SLABS

Our GIANT adjustable feet are specially designed for the **individual support of heavy, large-format stone slabs and ceramic tiles**. The adjustable feet are available in **four different variants**, spanning an infinitely **variable range of 1.57" to 8.66"**. The GIANT extension ring raises the installation height by a further 6.69".

The GIANT adjustable foot is also characterised by a **very high load capacity**. In the assembled state, **loads of up to 4,850 lbs / foot*** are possible, compared to just **4,188 Lbs / foot*** when combined when the **GIANT extension ring**.



PROPERTIES/ADVANTAGES

- High load capacity of up to 4,850 lbs /foot*
- Pre-installed impact noise disc absorbs impact noise
- Designed for the individual support of heavy, large-format stone slabs and ceramic tiles
- Infinitely adjustable heights from 1.57" to 8.66"
- The GIANT extension ring raises the height by another 6.69"
- Can be extended with max. one extension ring
- Resistant to weather, UV exposure, insects and rot

*Maximum load capacity when retracted. Load capacity of 4,188 Lbs/foot when combined with the GIANT extension ring.



NOTE

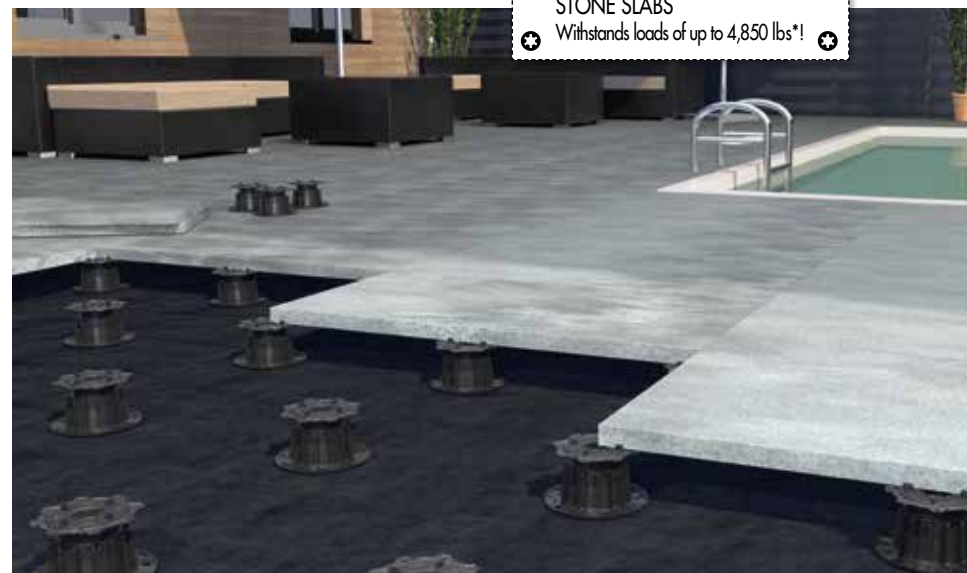
Height adjustable with adjusting key during installation (for max. 3 stone slabs). Simply insert the adjustment key through the joint and adjust to the desired height.

Art. no.	Name	Assembly height [inch]	Load-bearing capacity*	PU QTY
INC100010	GIANT S	1.57" - 2.16"	4,850 lbs	10
INC100011	GIANT M	2.16" - 3.34"	4,850 lbs	10
INC100012	GIANT L	3.14" - 5.11"	4,850 lbs	10
INC100013	GIANT XL	5.11" - 8.66"	4,850 lbs	4
INC100015	Extension ring GIANT	Increase + 3.93"	4,188 Lbs	10
INC100014**	Adjusting key			1

*Maximum load capacity when retracted. Load capacity of 4,188 Lbs / foot when combined with the GIANT extension ring

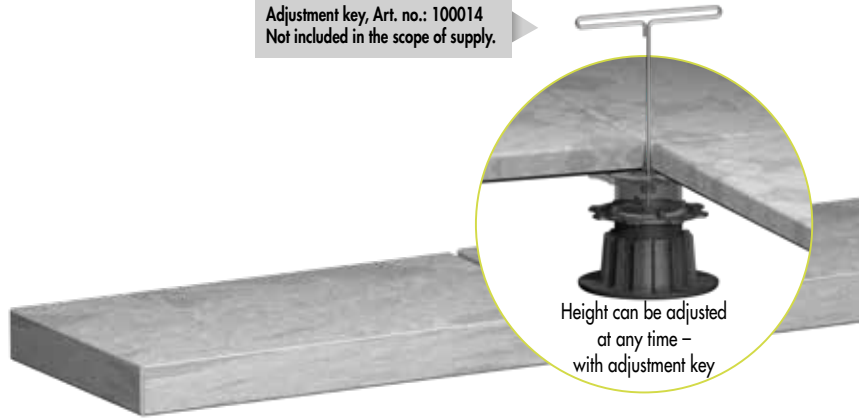
**Not included in the scope of supply. The subsequent height adjustment only works with a low load

✪ FOR **EXTRA LARGE** STONE SLABS ✪
✪ Withstands loads of up to 4,850 lbs*! ✪



Stone patio with adjustable pedestal GIANT

Adjustment key, Art. no.: 100014
Not included in the scope of supply.



Impact noise disc

Made of Elasto, absorbs impact noise.

Stone adapter

For the individual support of stone slabs
The four clips stop stone slabs from slipping
and ensure even joint spacing.

Thread

For infinitely variable adjustment of the
installation height from 1.57" to 8.66".

Base

Withstands very high loads of up to
4,850 lbs / pedestal*



*Maximum load capacity when retracted. Load capacity of 4,188 Lbs / pedestal when combined with the GIANT extension ring.



ALUMINIUM SYSTEM PROFILE EVO

PROPERTIES/ADVANTAGES

- With specific perforations for consistent drainage of the substructure
- In contrast to timber substructures, the profile is dimensionally stable and straight
- It suffers from no climate-related effects such as warping, cracks, etc. that naturally occur with timber
- The special shape prevents the screws from shearing off
- Allows both hidden and visible fastening
- Compatible with the Eurotec Stone System



Aluminium system profile EVO

Art. no.	Assembly height [inch]	Material	PU QTY
INC975621	2.36" x 1.57" x 94"	Aluminium (Black)	10



PRO EVO Twin Hidden Fastener



PRO Aluminum deck joist connector EVO



PRO Aluminum deck joist cross bracing connector EVO

Art. no.	Name	Assembly height [inch]	PU QTY
INC945959	PRO EVO Twin Hidden Fastener		200
INC975611	PRO Aluminum deck joist connector EVO	0.94 x 1.96 x 7.87 (W x H x L)	10
INC975612-10	PRO Aluminum deck joist cross bracing connector EVO	1.57 x 0.98 x 1.57 (W x H x L)	10

EVO LIGHT ALUMINIUM SYSTEM PROFILE

PROPERTIES/ADVANTAGES

- Hidden fastening with the EVO Light system bracket
- Visible fastening with Eurotec profile drilling screws and wing-tipped profile drilling screws
- Can also be used with PRO adjustable pedestals and L adapter
- Position retention due to screw of L adapter
- Load-bearing, torsion-free, form-stable and straight
- Special shape prevents screws from shearing off



EVO Light aluminium system profile

Art. no.	Name	Assembly height [inch]	Material	PU QTY
INC975643	EVO Light aluminium system profile	1.33" x 1.25" x 86"	Aluminium	1



EVO Light straight Hidden Fastener



Deck joist connector EVO Light

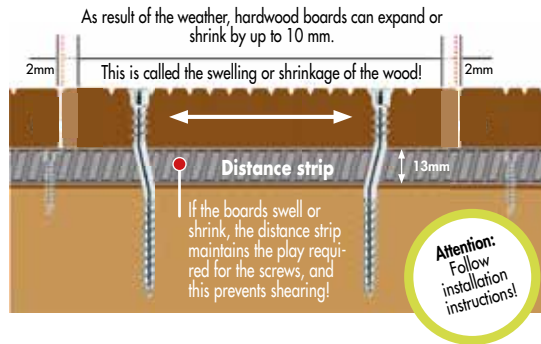
Art. no.	Name	Assembly height [inch]	PU QTY
INC946029	EVO Light straight Hidden Fastener	with screws	200
INC975618	Deck joist connector EVO Light	Polyethylen (PE HD)	10
INC975631	Deck joist EVO Light cross bracing connector	1.57 x 0.51 x 1.57 in (W x H x L)	10

DISTANCE STRIP



Art. no.	Dimensions [inch]	Material	PU QTY
INC944801	1/2 x 5/8 x 28-3/4	Hard plastic	50

Schematic representation »shearing«



The distance strip reduces the risk of screws shearing off

The distance strip is made of hard plastic and is intended to prevent the stainless-steel screws from shearing off. Shearing is caused by swelling and shrinkage of the timber, or so-called warping. This warping is particularly pronounced in the boards' transverse direction. The timber "wants" to take the screw with it, while the lower part of the screw remains securely fixed in the substructure.

What does 'shearing' mean?

Without a distance strip, the screw does not have any play, it can break off. This is known as 'shearing'. With a distance strip the screw has a play of 0,511 inch. The screws can adjust to the movement of the wood. Shearing is prevented in this way.



The distance strip is screwed along half a side onto the substructure beams. This avoids having to drill through the strip again when laying the deck boards. With wider bearer beams it may be better to fasten the distance strip alternately left and right along half a side so that the deck screw does not pull the bearer beam on one side in the direction of the board when the boards are fastened, and then tilts.

SHIM MIX 1

with and without slot



Art. no.	Content	PU QTY
INC964575	With slot	110
	60 pieces 2,76 x 1,38 x 0,39 inch	
	50 pieces 3,03 x 1,50 x 0,39 inch	
	Without slot	130
	40 pieces 3,36 x 1,69 x 0,59 inch	
	10 pieces 5,51 x 1,69 x 0,98 inch	
	80 pieces 2,56 x 1,10 x 0,31 inch	

WEDGES MIX 2

with slot



Art. no.	Content	PU QTY
INC964576	With slot	250
	45 pieces 3,15 x 1,97 x 0,04 inch	
	45 pieces 3,15 x 1,97 x 0,08 inch	
	45 pieces 3,15 x 1,97 x 0,12 inch	
	45 pieces 3,15 x 1,97 x 0,16 inch	
	45 pieces 3,15 x 1,97 x 0,20 inch	
	25 pieces 5,51 x 1,69 x 0,98 inch	

WEDGES MIX 3

with slot



Art. no.	Content	PU QTY
INC964577	With slot	450
	100 pieces 1,97 x 1,50 x 0,04 inch	
	100 pieces 1,97 x 1,50 x 0,08 inch	
	100 pieces 1,97 x 1,50 x 0,12 inch	
	100 pieces 1,97 x 1,50 x 0,16 inch	
	25 pieces 1,97 x 1,50 x 0,20 inch	
	25 pieces 1,97 x 1,50 x 0,39 inch	

TERRASSOTEC HIGH-END DECK SCREW #304

ADVANTAGES

- Only partially rust-resistant, not acid-resistant, relatively soft
- Not suitable for atmospheres, containing chlorine

Art. no.	Dimensions [inch]	Drive	PU QTY
INC905540	12 x 2-3/8	TX25	500
INC905541	12 x 2-3/4	TX25	500

ADVANTAGES OF TERRASSOTEC TRILOBULAR

SPECIAL SCREW GEOMETRY

- Drive thread ensures quick screwing
- Reinforced shank reduces risk of breaking or shearing off
- Under-head thread provides additional hold for deck boards

TRILOBULAR BASE GEOMETRY

- Reduced installation torque
- Reduced risk of screw breaking during screwing



TWO-STEP HEAD WITH UNDER-HEAD TOOTHING

- Reduced splintering
- Reduced risk of timber splitting

REINFORCED SHANK

- Suitable for many tropical wood
- Reduced risk of screw shearing off



FLOORFIX #316 STEEL

ADVANTAGES

- Only suitable for the use in softwood
- Resistant to rust, limited resistance to acid
- Suitable for woods containing tanning agents and saline atmospheres
- Not suitable for use in indoor swimming pools

Art. no.	Dimensions [inch]	Drive	PU QTY
INC945191	8 x 2-1/8	TX20	500



The FloorFix with a wooden substructure.

TERRASSOTEC TRILO #410 STEEL

ADVANTAGES

- Scraper groove - reduces splitting of wood
- Counter rotating thread - makes the process of screwing easier
- Under head thread provides additional hold for deck boards
- Cap head - ensures flush countersink of head
- Trilobular base geometry - reduces screwing torque and risk of breaking during screwing

Art. no.	Dimensions [inch]	Drive	PU QTY
INC905809	10 x 2-1/2	TX20	5 x 200



The Terrassotec Trilo with the distance strip.

DRILL TOOL 50X

The drill tool 50X is a drilling jig for the **invisible attachment of decking**. Decking boards can only be fastened non-visibly with this tool.



ADVANTAGES

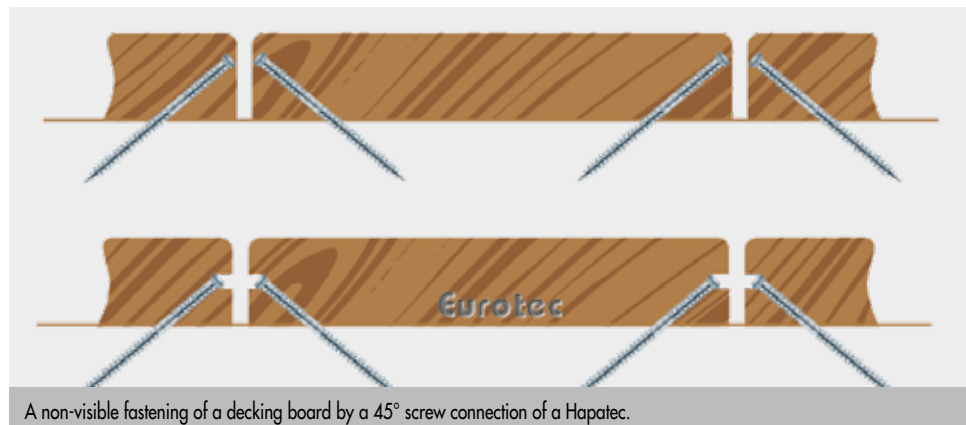
- Quick and easy decking installation
- Ensures a uniform joint pattern
- Fixing points are predefined

INSTRUCTIONS FOR USE

With the help of the drill tool 50X decking can be non-visibly fixed. For optimal installation without damaging the decking we recommend our 50X deck screw in A2 5/32 in x 19/32 in, 50X long-bit 3-7/32 in TX15 and the 50X step drill 1/8 in to 11/64 in. For decking thicknesses $\leq 0-53/64$ in and decking widths of 4-21/64 in - 5-29/32 in.

Important: You need to ask the manufacturer or supplier whether the board is suitable for this type of attachment.

Art. no.	Dimensions [inch]	PU QTY
INC499985	3-7/16 x 8-15/32 x 1-3/16	1



A non-visible fastening of a decking board by a 45° screw connection of a Hapatec.

SUITABLE FOR DRILL TOOL 50X

50X DECK SCREW #305 STAINLESS STEEL



Art. no.	Dimensions [inch]	PU QTY
INC905514	5/32 x 2-23/64	250

50X LONG DRIVE BIT

3-7/32 in



Art. no.	Drive	PU QTY
INC499985DB	TX15	1

50X TWO STEP DRILL BIT



Art. no.	Material	PU QTY
INC499985DD	Carbide	1



DECKING CLIP

FOR CONCEALED FASTENING OF DECKING BOARDS

Suitable for hidden fastening of grooved decking boards made of timber or composite materials on a substructure made of hardwood or composite materials. The clip is installed in the groove between two and fastened with a stainless steel screw in an angle of 45°.



ADVANTAGES

- Concealed fastening of the decking boards
- Can be used in combination with a classic wooden substructure
- Uniform board spacing is guaranteed
- Weather-resistant
- 45° fastening prevents breakage or shearing of screws

Art. no.	Material	PU
INC975636-175	Austenitic stainless steel	175
INC975636-525	Austenitic stainless steel	525





The specialist for fastening technology

**OUR PRODUCTS
MAKE
DECKING EASY.**

More than
20
YEARS
of quality

Eurotec, Inc.

7418 Washington Avenue

Racine, WI 53406

Office: +1 262 254 9309

Facebook@Eurotecinc

E-Mail info@eurotec.us

www.eurotec.us

