

MAUI PORCELAIN ENAMEL 60" X 30" X 16 5/8" BATHTUB



011-2340 RH DRAIN, SLIP-RESISTANT
011-2341 LH DRAIN, SLIP-RESISTANT

DESCRIPTION:

The Maui is a 60" x 30" x 16 5/8" deep soaker - 2" deeper than the standard 5' bathtub. The Maui bathing area is full size with a 15" soaking depth. The Maui has a 35 degree lumbar support for a more comfortable bathing experience. Construction is one piece heavy gauge seamless steel with an acid resistant porcelain enamel finish. The Maui weighs 74 lbs., easy to install into bathtub alcove - "just set it and level it". The full length support pad offers added strength and sound deadening. This product is compatible or complies with ASME A112.19.1/CSA B45.2 (Standard for Enameled Steel Plumbing Fixtures), ADA (American Disabilities Act), ASTM F 462 (Safety Specification for Slip Resistant Bathing Facilities), WW-P 541 (U.S. Military Federal Specification), HUD-FHA-VA, LEED, and the Buy American Act, as applicable when installed accordingly. Available in white, bone and biscuit colors with a right and left drain. Made in the USA.

Weight: 74 lbs

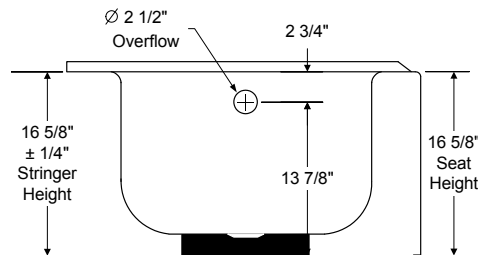
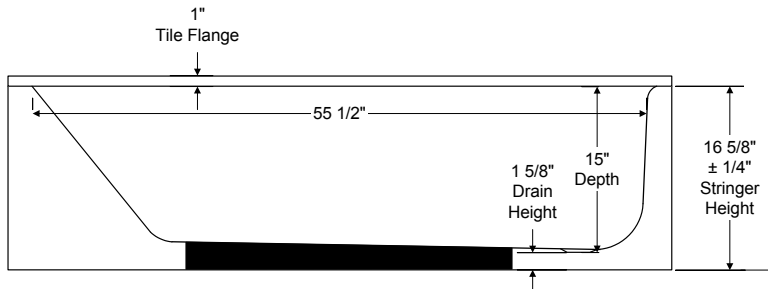
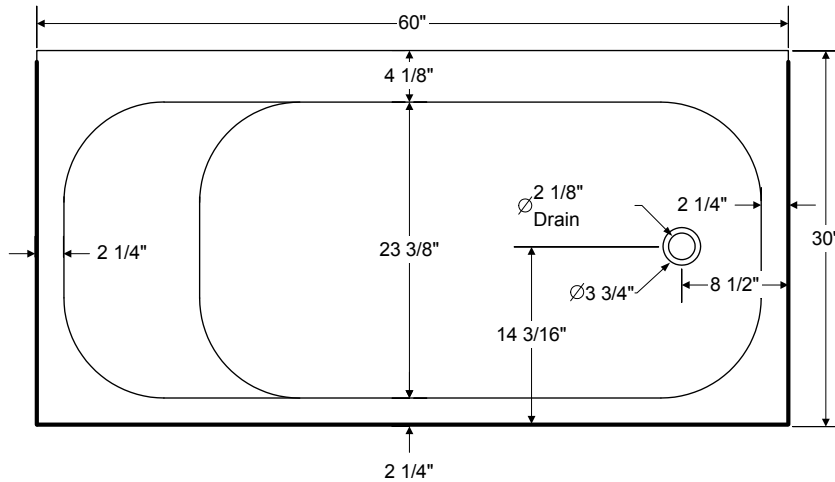


1400 Park Street • P.O. Box 18010 • Evansville, IN 47719-1010 • (812) 423-5401 • Fax (812) 429-2254 • www.bootz.com • webmaster@bootz.com

MAUI PORCELAIN ENAMEL 60" X 30" X 16 5/8" BATHTUB

Maui 5' Bathtub
60" x 30" x 16 5/8"
Weight: 74 lbs
Standard Outlet

011-2340 RH Drain, slip-resistant
011-2341 LH Drain, slip-resistant



Complies with:
All fixtures are compatible or comply with ANSI, ASME, CSA, WW-P 541, HUD-FHA-VA, LEED and the "Buy America Act" where applicable when installed accordingly.

Standard Features:
"The affordable alternative to cast iron"
Full length sound deadening pad
Slip resistant bottom
Set it and level it

Made in the USA

All Dimensions +/- 1/8" unless otherwise noted.
Dimensions shown are for reference.
Actual dimensions may vary slightly and should be checked prior to installation
SS 5/14



ALOHA PORCELAIN ENAMEL 60" X 30" X 14 1/4" BATHTUB STANDARD BACK DESIGN



011-2364 RH DRAIN, SLIP RESISTANT
011-2365 LH DRAIN, SLIP RESISTANT

DESCRIPTION:

The Aloha is a 60" x 30" x 14 1/4" bathtub – the industries #1 selling porcelain enamel bathtub is full length bath offering exceptional performance and roominess for a recess application. The Aloha has a traditional design with a standard “straight” back support. Construction is a one piece heavy gauge seamless steel with an acid resistant porcelain enamel finish. The Aloha weighs 67 lbs., easy to install into a bathtub alcove - “just set it and level it”. Free standing on a full length support pad that offers added strength and sound deadening. This product is compatible or complies with ASME A112.19.1/ CSA B45.2 (Standard for Enameled Steel Plumbing Fixtures), ADA (American Disabilities Act), ASTM F 462 (Safety Specification for Slip Resistant Bathing Facilities), WW-P 541 (U.S. Military Federal Specification), HUD-FHA-VA, LEED, and the Buy American Act, as applicable when installed accordingly. Available in white, bone and biscuit colors with a right and left drain. Made in the USA.

Weight: 67 lbs

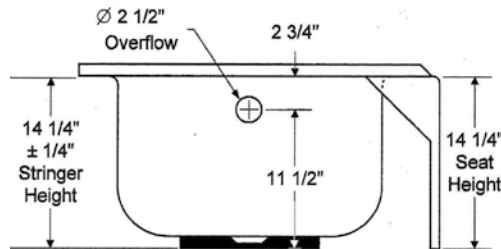
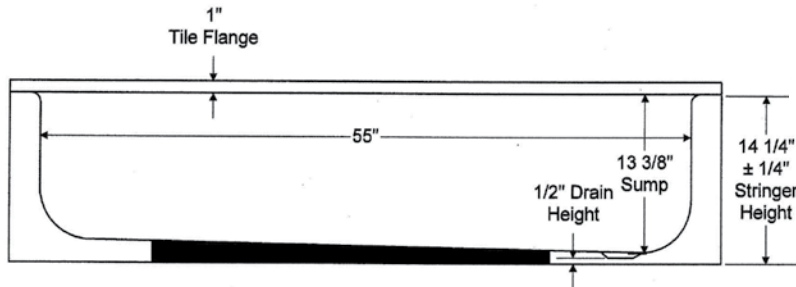
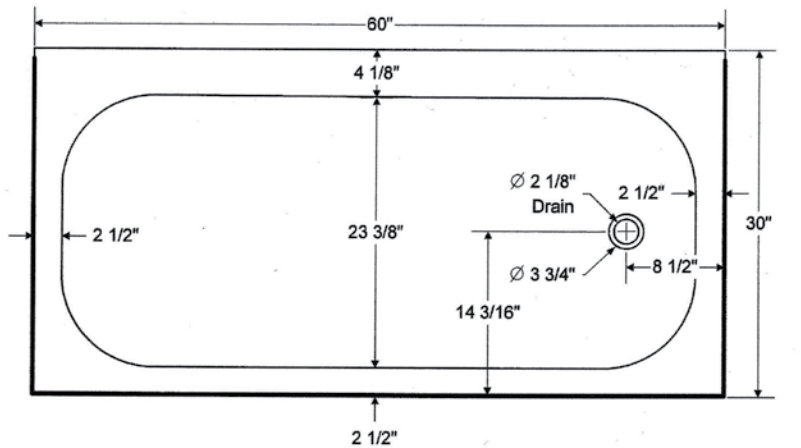


1400 Park Street • P.O. Box 18010 • Evansville, IN 47719-1010 • (812) 423-5401 • Fax (812) 429-2254 • www.bootz.com • webmaster@bootz.com

ALOHA PORCELAIN ENAMEL 60" X 30" X 14 1/4" BATH TUB STANDARD BACK DESIGN

ALOHA 5' Bathtub 60" x 30" x 14 1/4" Standard Outlet

011-2364 RH Drain, slip resistant
011-2365 LH Drain, slip resistant



Complies with:
All fixtures are compatible or comply with ANSI, ASME, CSA, WW-P 541, HUD-FHA-VA, LEED and the "Buy America Act" where applicable when installed accordingly.

Standard Features:
"The affordable alternative to cast iron"
Full length sound deadening pad
Slip resistant bottom
Set it and level it

Made in the USA

All Dimensions +/- 1/8" unless otherwise noted.
Dimensions shown are for reference.
Actual dimensions may vary slightly and should be checked prior to installation
SS 5/14

