

+ 1 " for hardware
 Finished opening required: 80 3/4 "

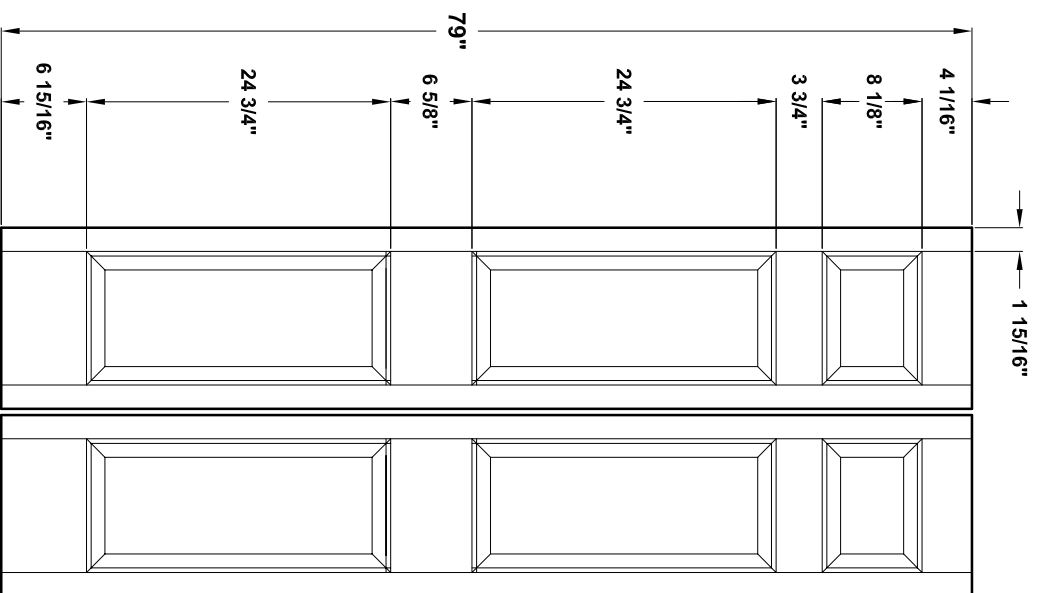
Specification sheet

Title	2-3 Panel door Bifold	Height	80"
-------	-----------------------	--------	-----

Creation date	2004-June-03
Prep. by:	J.C
Revision date	2005-02-22
Scale	nts
Rev.	1

Masonite International Corporation

D80-03



+ 1 " for hardware
 Finished opening required: 80 3/4 "

Specification sheet

Title
 6 Panel door Bifold

Height
80"

Creation date
 2004-June-03

Prep. by: J.C

Revision date

Rev.
 0

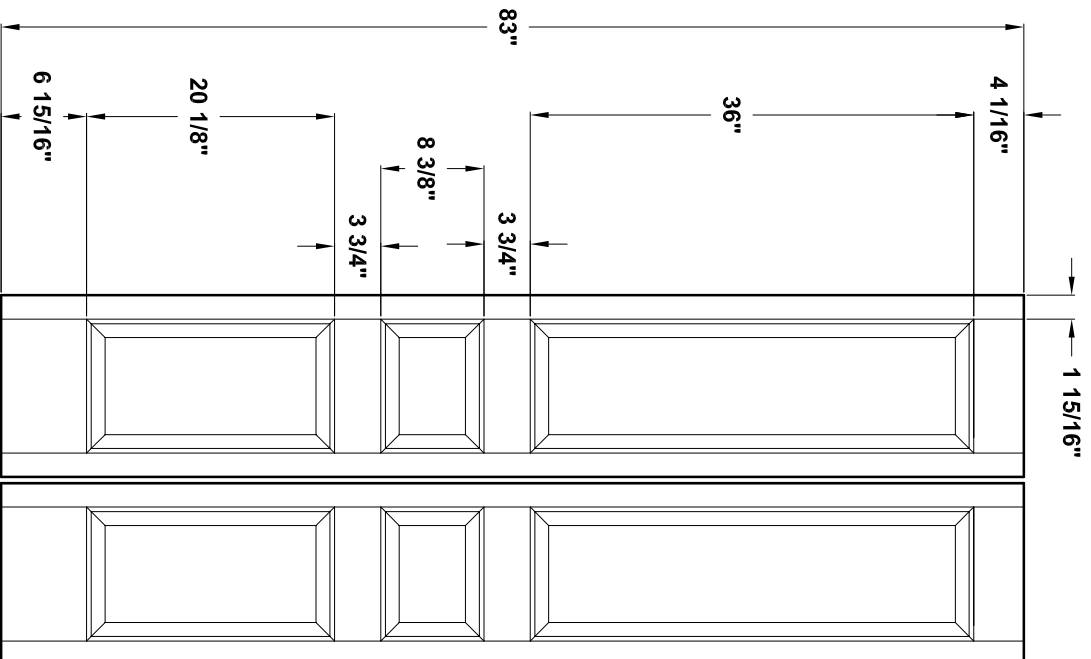
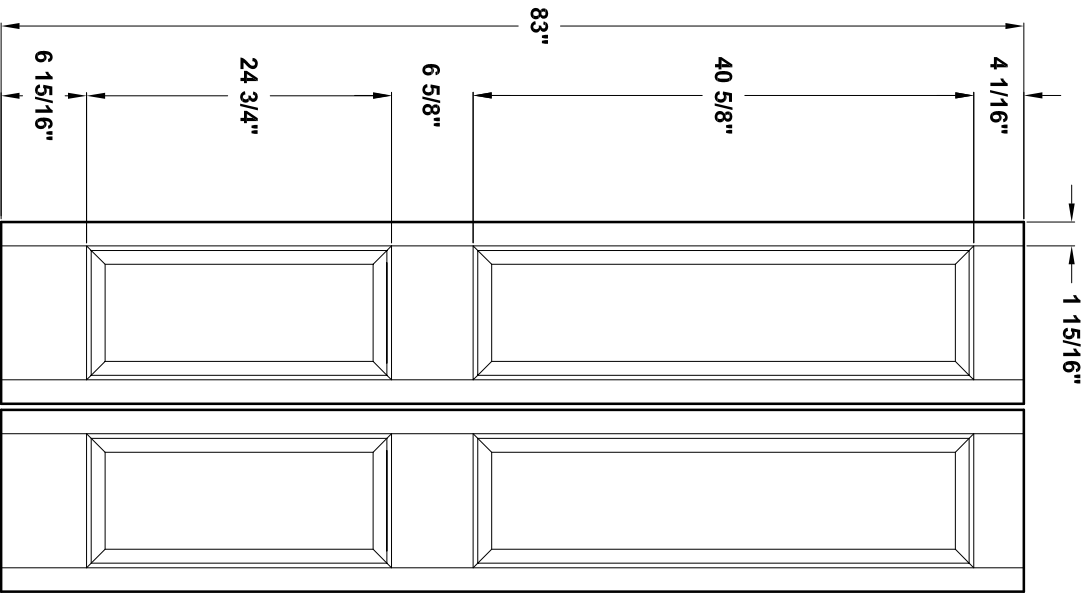
Scale nts



Masonite[®]

Masonite International Corporation

D80-05



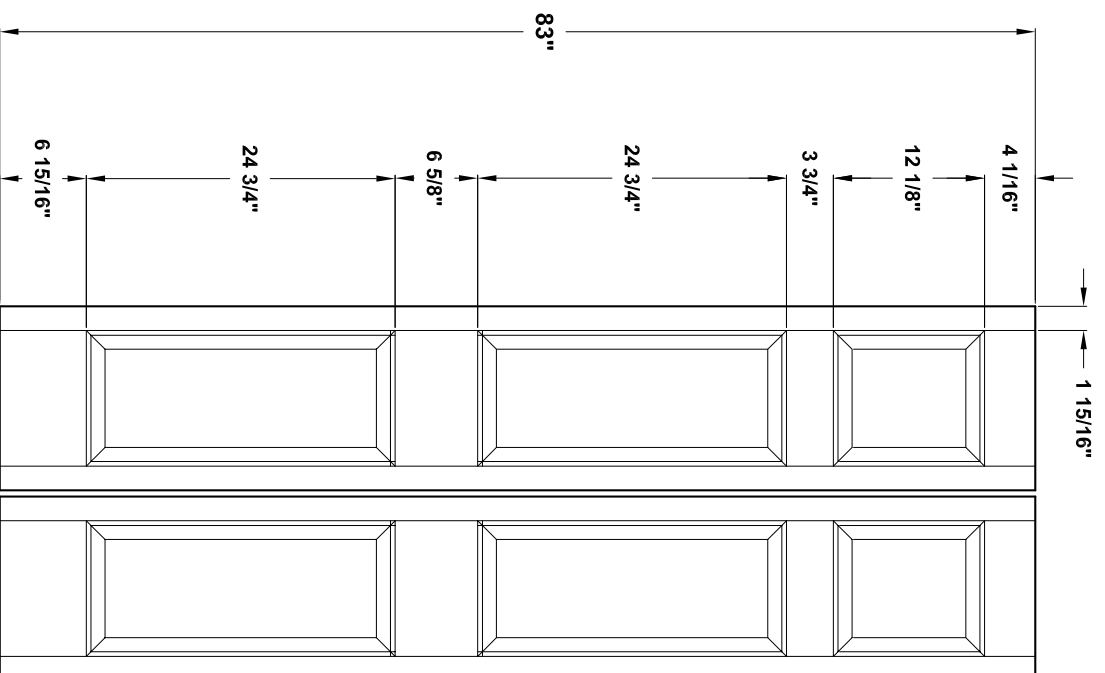
+ 1 " for hardware
 Finished opening required: 84 3/4 "

Specification sheet

Title		2-3 Panel door Bifold		Height		84"	
Creation date		2004-June-03		Prep. by:		J.C.	
Revision date		2005-02-22		Rev.		1	
Scale		nts					



D84-03



+ 1 " for hardware
 Finished opening required: 84 3/4 "

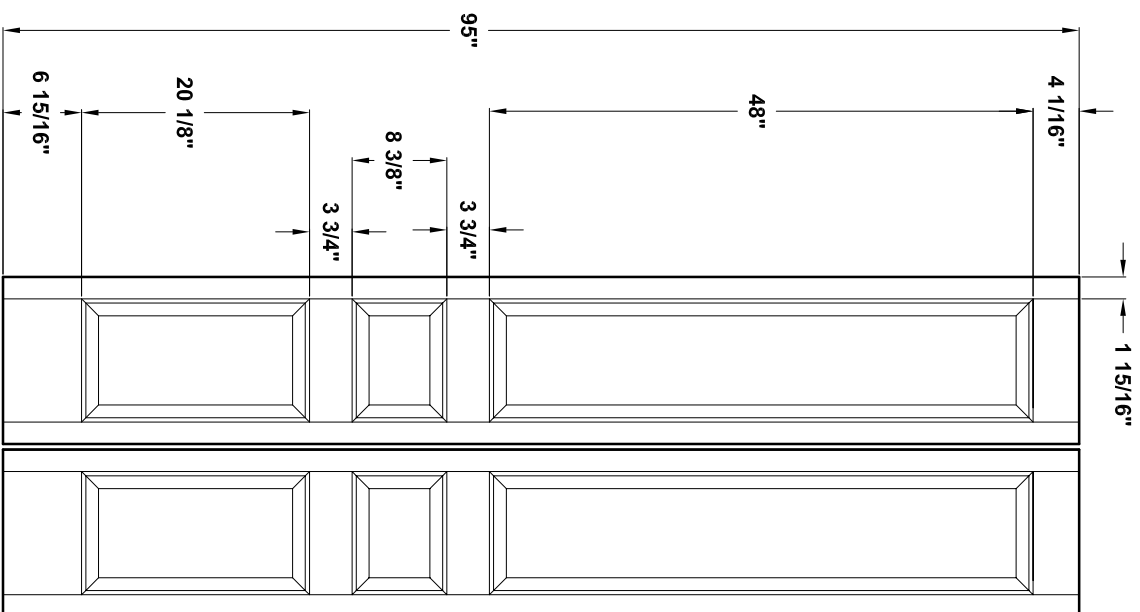
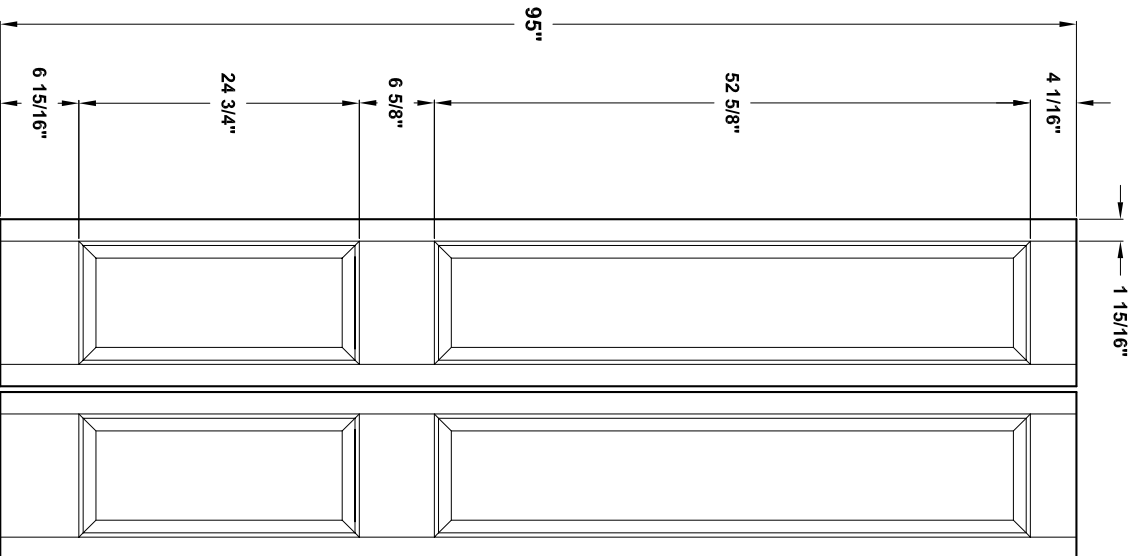
Specification sheet

Title	6 Panel door Bifold	Height	84"
-------	---------------------	--------	-----

Creation date	2004-June-03
Prep. by:	J.C.
Revision date	2005-02-22
Rev.	1
Scale	nts



D84-05



+ 1 " for hardware
 Finished opening required: 96 3/4 "

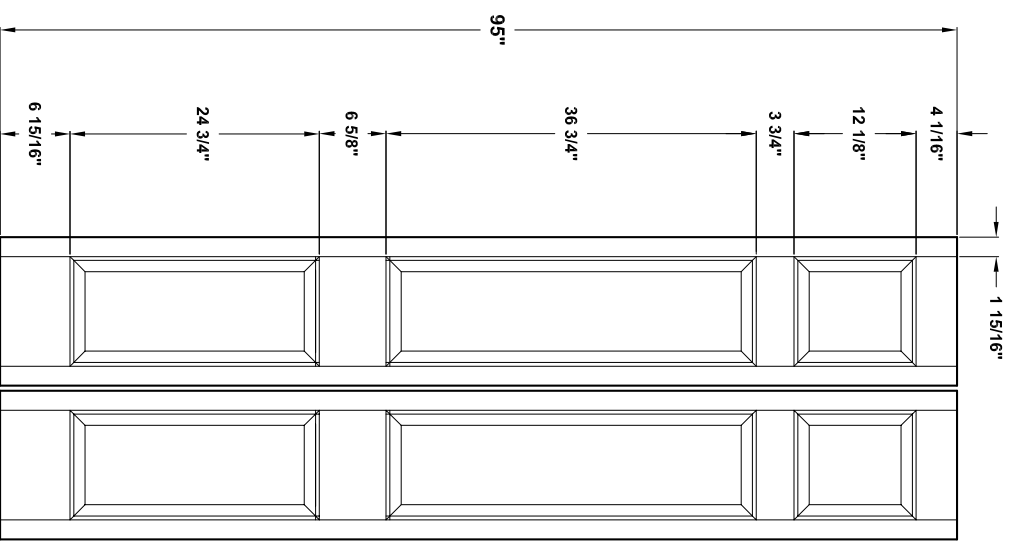
Specification sheet

Title: 2-3 Panel door Bifold
 Height: 96"

Creation date: 2004-June-03
 Prep. by: J.C.
 Revision date: 2005-02-22
 Scale: nts
 Rev. 1



D96-03



+ 1 " for hardware
 Finished opening required: 96 3/4 "

Specification sheet

<i>Title</i>	6 Panel door Bifold	<i>Height</i>	96"
--------------	---------------------	---------------	-----

<i>Creation date</i>	2004-June-03
<i>Prep. by:</i>	J.C.
<i>Revision date</i>	2005-02-22
<i>Scale</i>	nts
<i>Rev.</i>	1



Masonite[®]
 Masonite International Corporation

D96-05