

# CADET® 3 SIPHONIC DUAL FLUSH RIGHT HEIGHT® ELONGATED COMPLETE TOILET

VITREOUS CHINA

## CADET® 3 SIPHONIC DUAL FLUSH RIGHT HEIGHT® ELONGATED COMPLETE TOILET

### ☐ 3380.216ST

- Vitreous china
- High efficiency, low consumption
  - Heavy Flush (6.0 Lpf/1.6 gpf)
  - Low Flush (3.8 Lpf/1.0 gpf)
- Elongated siphon action bowl with direct-fed jet
- 16-1/2" Rim height
- Meets EPA WaterSense® criteria
- 305mm (12") rough-in
- Fully glazed 2" Trapway
- Generous 9" x 8" water surface area helps prevent dirt from sticking to the bowl
- Chrome plated top mounted push button flush actuator
- Sanitary bar on bowl helps omit buildup of dust and dirt in the crevice between the tank and the bowl
- 2 color matched bolt caps
- Color-matched plastic toilet seat
- Wax ring gasket with closet bolts
- 100% factory flush tested
- Warranty: Limited lifetime on chinaware, 5 years on mechanical parts, 1 year on seat

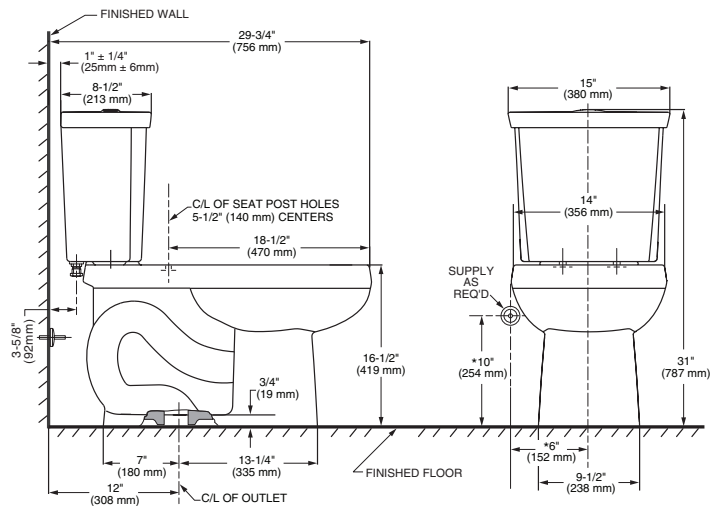
### Nominal Dimensions:

756 x 380 x 787mm  
(29-3/4" x 15" x 31")

### Compliance Certifications -

#### Meets or Exceeds the Following Specifications:

- ASME A112.19.2-2008/CSA B45.1-08 for Vitreous China Fixtures
- US EPA WaterSense® Specification for HET's



### To Be Specified:

- Color:  White
- Supply with stop:

### NOTES:

THIS COMBINATION IS DESIGNED TO ROUGH-IN AT A MINIMUM DIMENSION OF 305MM (12") FROM FINISHED WALL TO C/L OF OUTLET. \* DIMENSION SHOWN FOR LOCATION OF SUPPLY IS SUGGESTED. SUPPLY NOT INCLUDED WITH FIXTURE AND MUST BE ORDERED SEPARATELY.

**IMPORTANT:** Dimensions of fixtures are nominal and may vary within the range of tolerance established by ANSI Standard A112.19.2. These measurements are subject to change or cancellation. No responsibility is assumed for use of superseded or voided pages.

 MEETS THE AMERICANS WITH DISABILITIES ACT GUIDELINES AND ICC ANSI A117.1 REQUIREMENTS FOR ACCESSIBLE AND USABLE BUILDING FACILITIES-CHECK LOCAL CODES.

