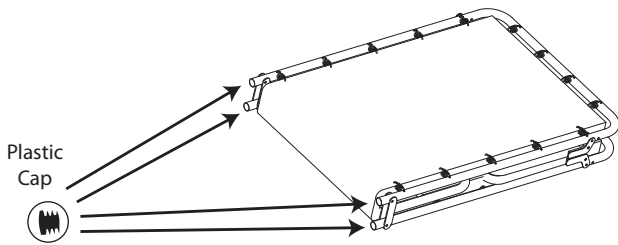
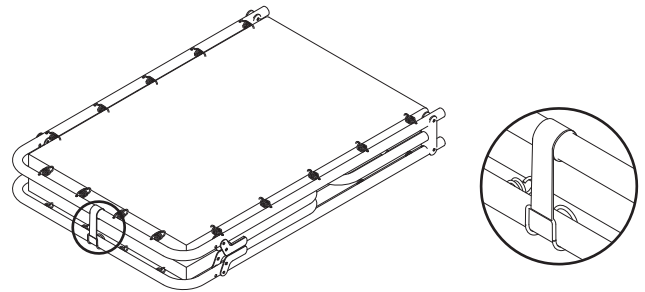


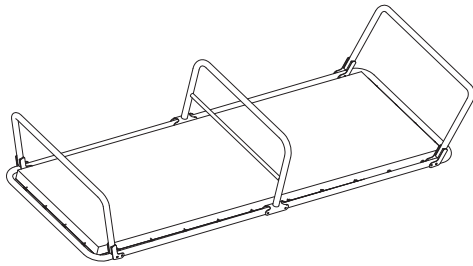
FOLDAWAY BED ASSEMBLY INSTRUCTIONS



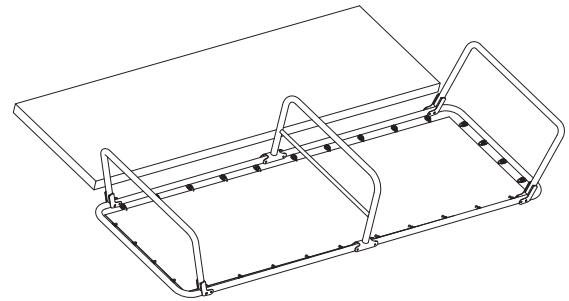
Step 1: Remove the Foldaway Guest Bed from the box and place it flat on the floor. Insert the four plastic caps provided with your new bed.



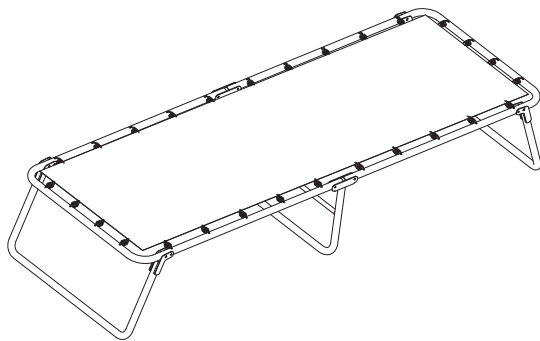
Step 2: Unfasten strap to unfold the bed.
Note: Only TWIN size bed comes with a strap.



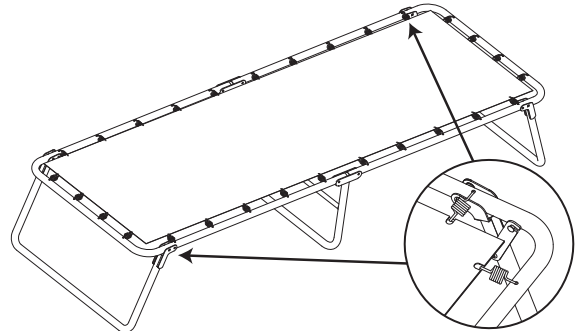
Step 3: Unfold the bed. Raise all legs to their upright position. Make sure the legs are locked in place.



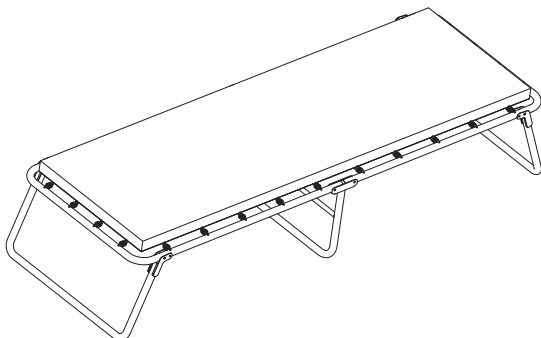
Step 4: Carefully remove the mattress from between the metal frame and place to the side. Remove the plastic bag.



Step 5: Turn the metal frame over and place the legs on the floor.



Step 6: Secure outer legs in place with the two hooks that are preinstalled on two opposite corners of the frame.



Step 7: Place the mattress evenly on top of the metal frame ensuring that the cover is facing up.



Scan the QR code on your smart phone or device, or enter the link below to watch a complete video of the easy assembly of the Foldaway Guest Bed.

<http://www.youtube.com/watch?v=0HXIhFmNA4Y>