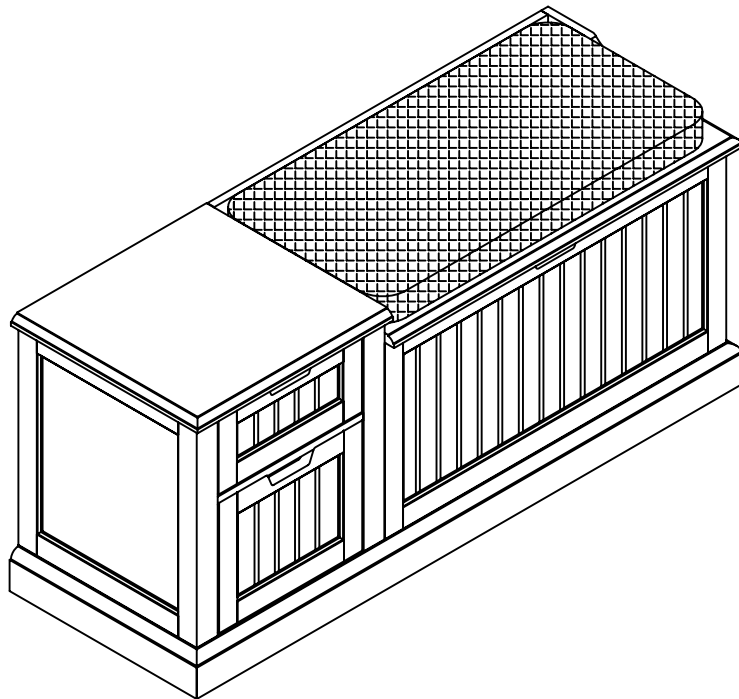


# USE AND CARE GUIDE

---

## BEADBOARD ENTRYWAY BENCH



Questions, problems, missing parts? Before returning to the store,  
call Home Decorators Collection Customer Service.  
8 a.m. – 7 p.m., EST, Monday – Friday, 9 a.m. – 6 p.m., EST, Saturday

**1-800-998-7021**

**[HOMEDEPOT.COM/HOMEDECORATORS](http://HOMEDEPOT.COM/HOMEDECORATORS)**

---

**THANK YOU**

*We appreciate the trust and confidence you have placed in Home Decorators Collection through the purchase of this beadboard entryway bench. We strive to continually create quality products designed to enhance your home. Visit us online to see our full line of products available for your home improvement needs. Thank you for choosing Home Decorators Collection!*

# Table of Contents

Table of Contents.....	2	Hardware Included.....	3
Safety Information.....	2	Pre-assembly (continued).....	4
Warranty.....	2	Package Contents.....	4
3 Year Warranty.....	2	Assembly.....	5
What is Covered.....	2		
What is Not Covered.....	2		
Pre-assembly.....	3		
Planning Assembly.....	3		
Tools Required.....	3		

# Safety Information



## DANGER

- Keep small parts away from children during assembly.
- Read and follow instructions carefully.



## WARNING

- Read these instructions carefully and keep in a safe place.
- TO GUARANTEE THE SAFE USE OF THIS PRODUCT, FOLLOW THE WARNINGS, GUIDELINES AND RECOMMENDATIONS IN THIS MANUAL.
- Adult assembly required.
- Small parts may present choking hazard prior to assembly.
- Do not place heavy objects on the glass top.
- Some assembly may involve attaching glass or mirrors.
- Be very careful handling the glass or mirrors, as severe injury may result if the glass or mirror breaks.
- Never handle large pieces of glass or mirrors by yourself.



## CAUTION

- Do not use power tools to assemble your furniture. Power tools may strip or damage parts/product.
- Do not overtighten connectors (screws, bolts, etc.). Overtightening can lead to product damage.
- Be sure to check all packing materials carefully for small parts that may have come loose inside the carton during shipment. If parts are missing, contact THE HOME DEPOT to obtain any missing parts.
- DO NOT USE SUBSTITUTE PARTS.
- This product should only be used on a flat, level surface.

# Warranty

## 3 YEAR WARRANTY

### WHAT IS COVERED

We guarantee this product to be free of manufacturing defects to the original purchaser for three years.

### WHAT IS NOT COVERED

This warranty does not cover commercial use, acts of nature, and abusive use.

# Pre-assembly

## PLANNING ASSEMBLY

Keep children and pets away from build area. Make sure your area is large enough to unpack, sort and assemble the unit.

## TOOLS REQUIRED



Small head  
Phillips  
screwdriver



Large head  
Phillips  
screwdriver

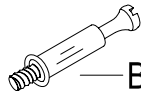
## HARDWARE INCLUDED



**NOTE:** Hardware not shown to actual size.



—AA



—BB



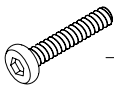
—CC



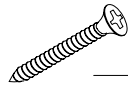
—DD



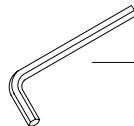
—EE



—FF



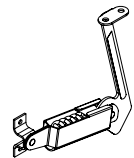
—GG



—HH



—II



—JJ

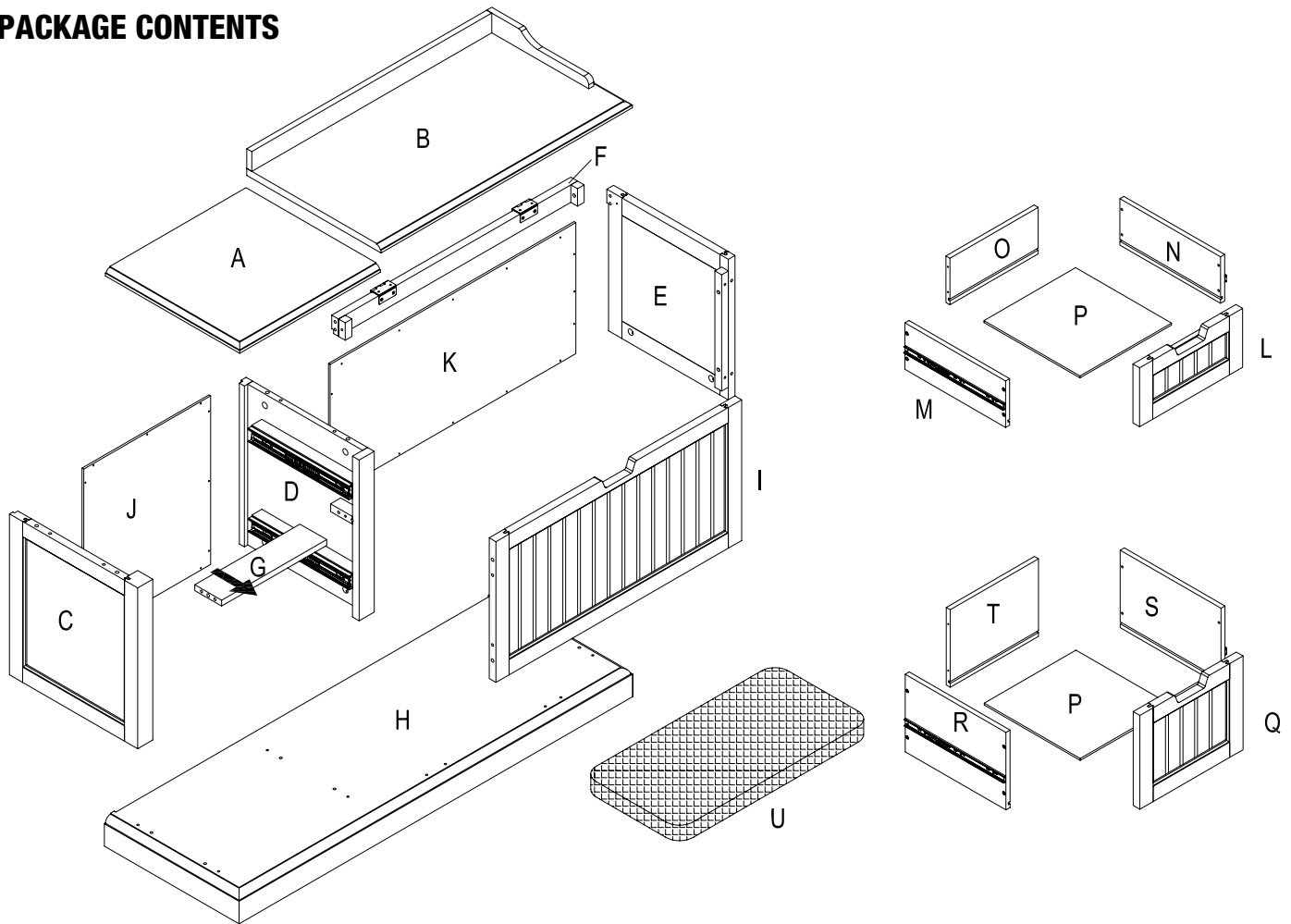


—KK

Part	Description	Quantity
AA	Wood dowel	24
BB	Cam lock bolt	16
CC	Cam lock	16
DD	Washer	2
EE	Spring washer	2
FF	Bolt	2
GG	1 in. Flat head screw	18
HH	Wrench	1
II	5/8 in. Round head screw	28
JJ	Left safety hinge	1
KK	1/2 in. Flat head screw	8

# Pre-assembly (continued)

## PACKAGE CONTENTS



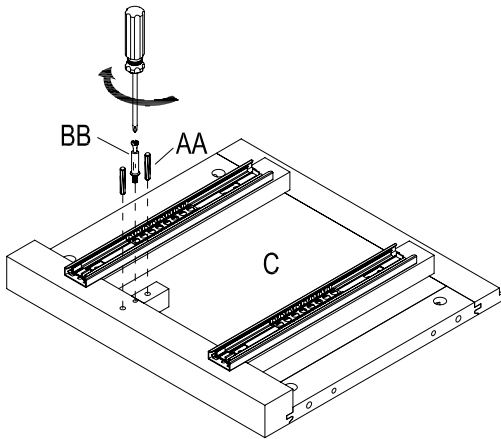
Part	Description	Quantity
A	Left top panel	1
B	Right top panel	1
C	Left side panel	1
D	Middle side panel	1
E	Right side panel	1
F	Back crossbar	1
G	Front crossbar	1
H	Bottom panel	1
I	Front panel	1
J	Left back panel	1

Part	Description	Quantity
K	Right back panel	1
L	Small drawer front panel	1
M	Small drawer left side panel	1
N	Small drawer right side panel	1
O	Small drawer back panel	1
P	Drawer bottom panel	2
Q	Large drawer front panel	1
R	Large drawer left side panel	1
S	Large drawer right side panel	1
T	Large drawer back panel	1
U	Cushion	1

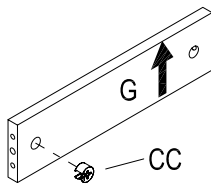
# Assembly

## 1 Attaching the front crossbar to the left side panel

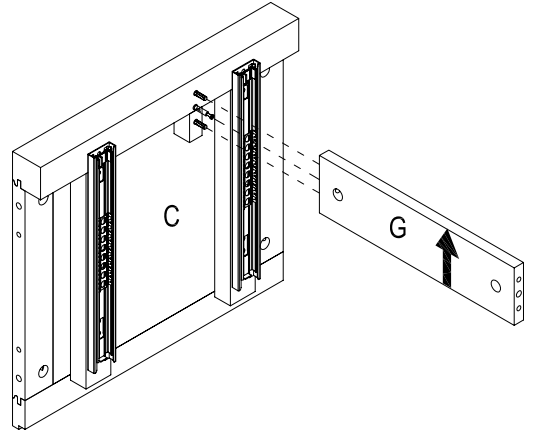
- a) Install dowel (AA) and bolt (BB) into panel (C).



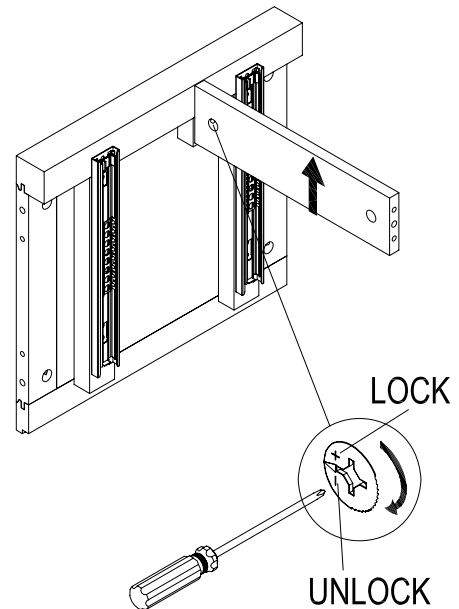
- b) Insert lock (CC) into bar (G).



- c) Join bar (G) to the panel (C) with dowel (AA).



- d) Tighten bolt (BB) with lock (CC) in the pre-drilled hole.



Wood dowel

Cam lock bolt

Cam lock

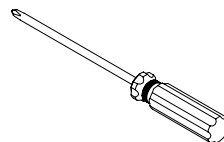
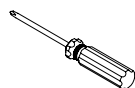
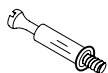
Small head

Large head

(AA) x 2

(BB) x 1

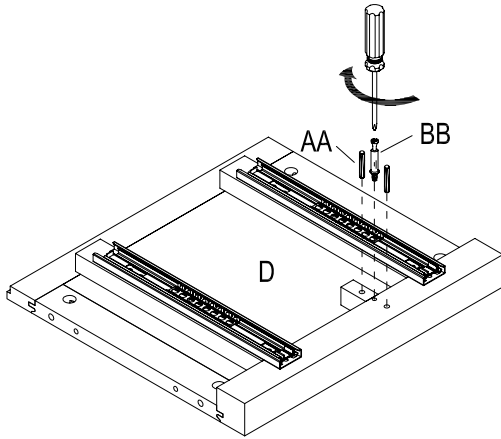
(CC) x 1



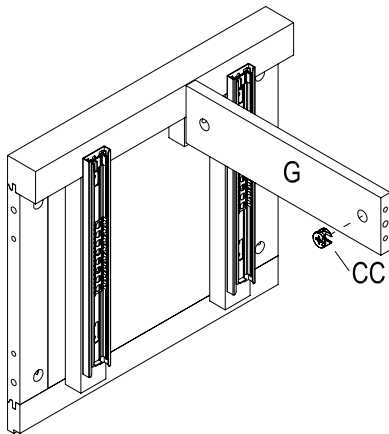
# Assembly (continued)

## 2 Attaching the middle side panel

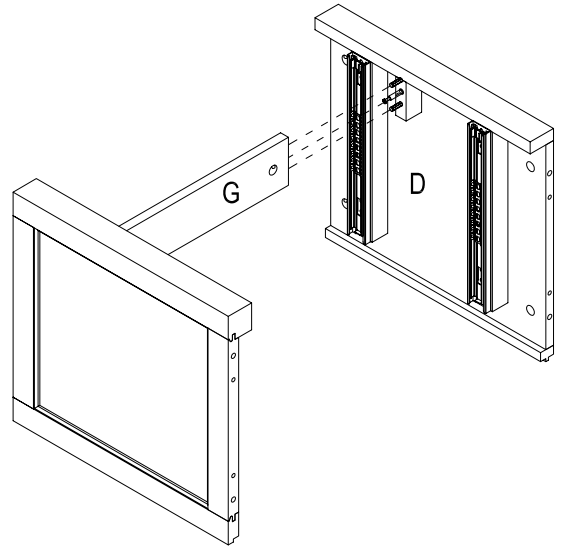
- a) Install dowel (AA) and bolt (BB) into panel (D).



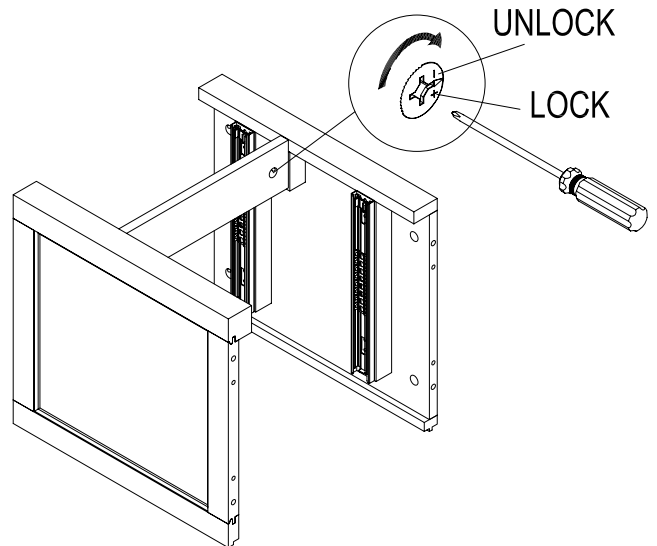
- b) Insert lock (CC) into bar (G).



- c) Join bar (G) to the panel (D) with dowel (AA).



- d) Tighten bolt (BB) with lock (CC) in the pre-drilled hole.



Wood dowel

Cam lock bolt

Cam lock

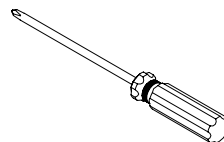
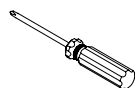
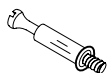
Small head

Large head

(AA) x 2

(BB) x 1

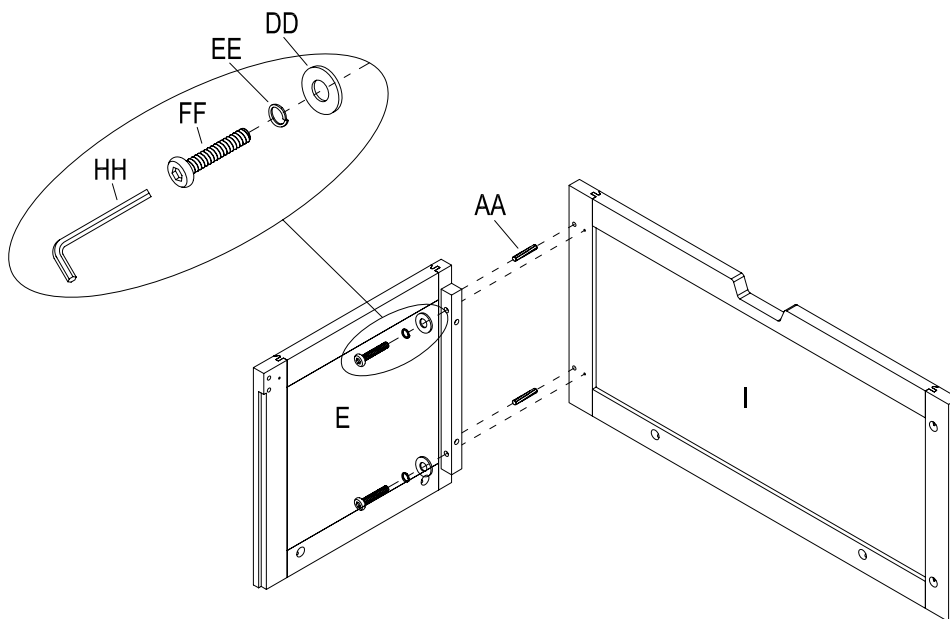
(CC) x 1



## Assembly (continued)

### 3 Attaching the right side panel to the front panel

- a) Join panel (E) to the panel (I) with dowel (AA).



- b) Attach panel (E) with washer (DD), spring washer (EE), and bolt (FF). Turn and tighten bolt (FF) with wrench (HH).

Wood dowel

(AA) x 2



Washer

(DD) x 2



Spring washer

(EE) x 2



Bolt

(FF) x 2



Wrench

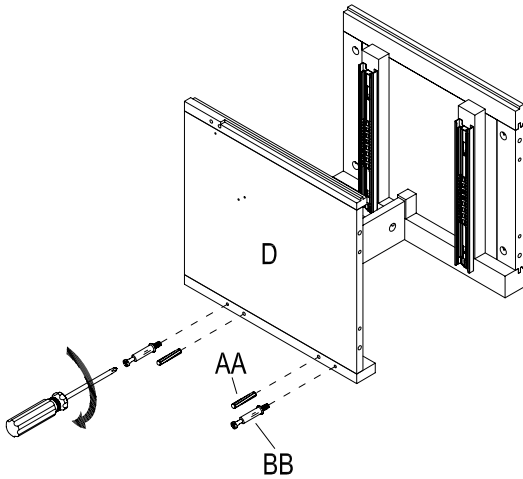
(HH) x 1



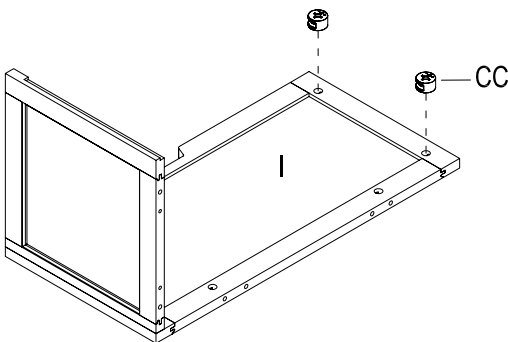
# Assembly (continued)

## 4 Attaching the back crossbar

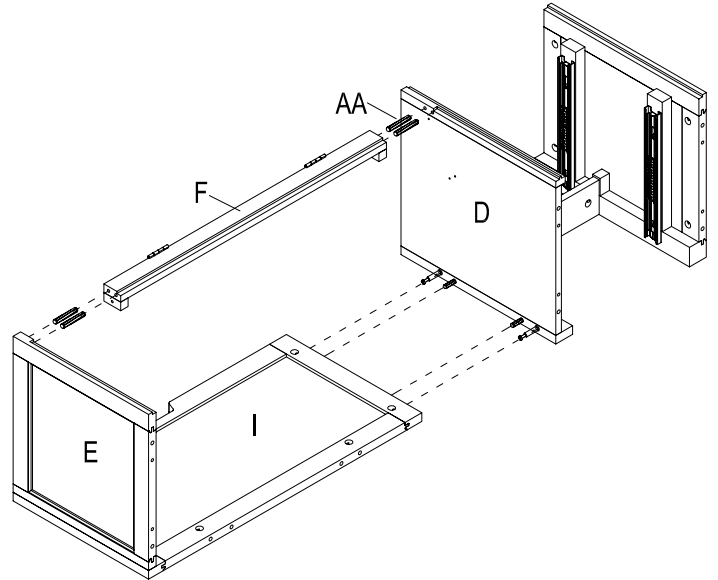
- a) Install dowel (AA) and bolt (BB) into panel (D).



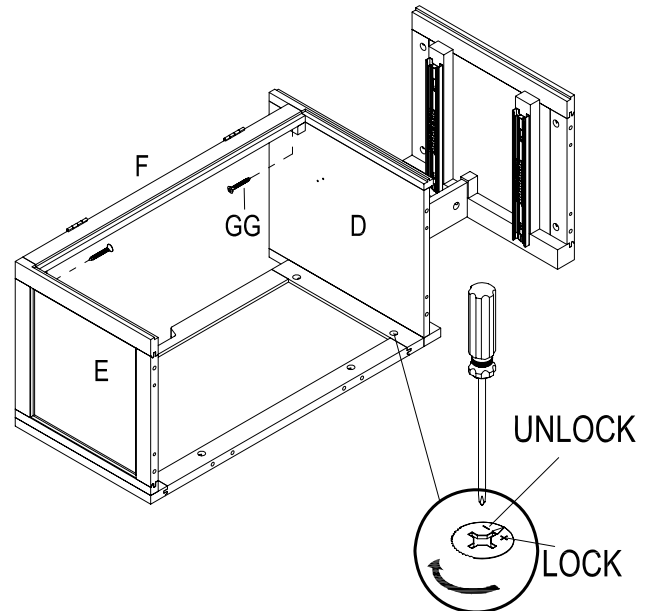
- b) Insert lock (CC) into panel (I).



- c) Join bar (F) and panel (I) to the panels (D) and (E) with dowel (AA).



- d) Tighten bolt (BB) with lock (CC) in the pre-drilled holes.



- e) Tighten bar (F) to panels (D) and (E) with screw (GG).

Wood dowel

Cam lock bolt

Cam lock

1 in. Flat head screw

Small head

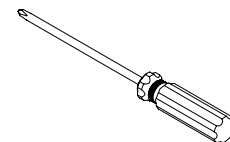
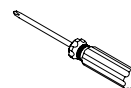
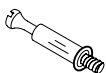
Large head

(AA) x 6

(BB) x 2

(CC) x 2

(GG) x 2

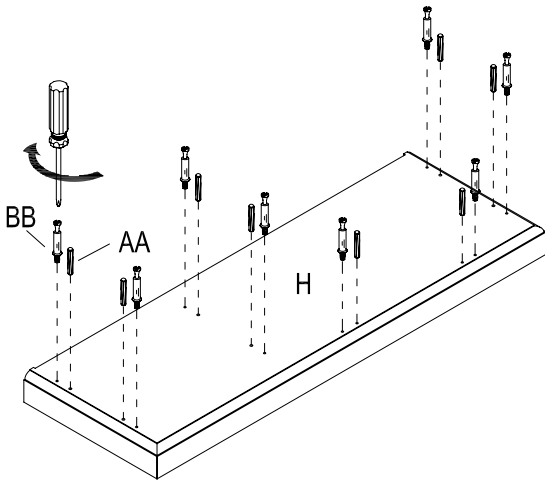




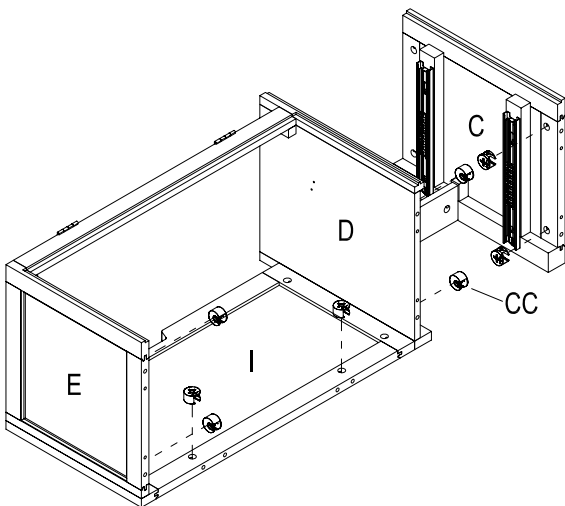
# Assembly (continued)

## 5 Attaching the bottom panel

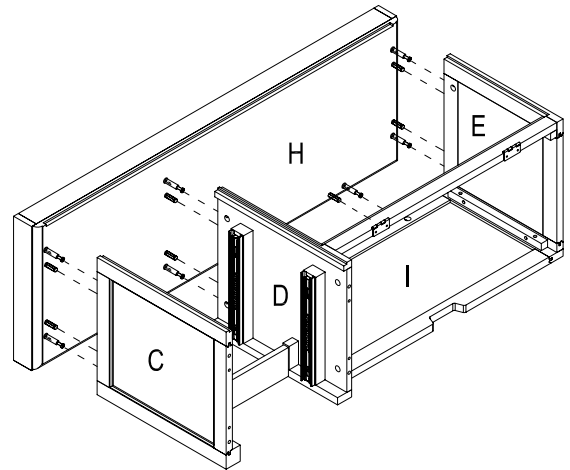
- a) Install dowel (AA) and bolt (BB) into panel (H).



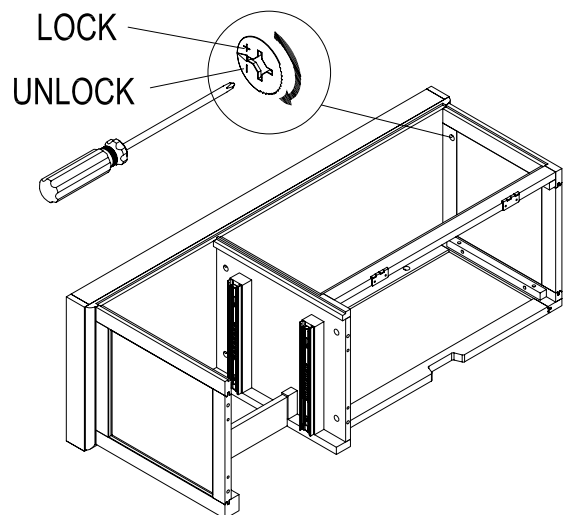
- b) Insert lock (CC) into panels (C),(D),(E) and (I).



- c) Join panel (H) to the assembled body with dowel (AA).



- d) Tighten bolt (BB) with lock (CC) in the pre-drilled holes.

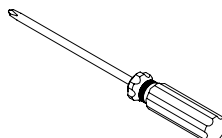
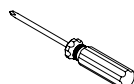
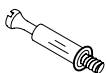


Wood dowel    Cam lock bolt    Cam lock    Small head    Large head

(AA) x 8

(BB) x 8

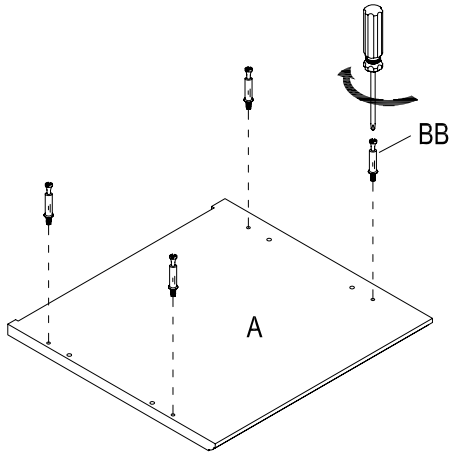
(CC) x 8



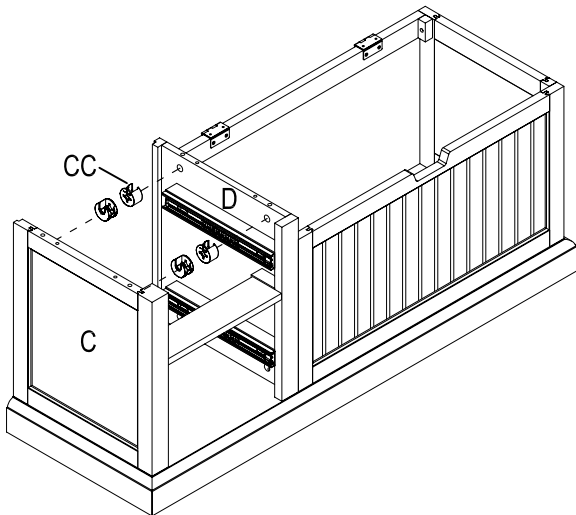
# Assembly (continued)

## 6 Attaching the left top panel

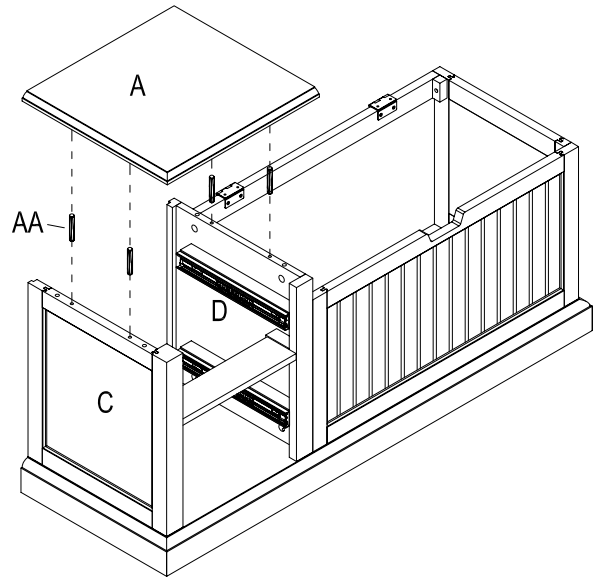
- a) Install bolt (BB) into panel (A).



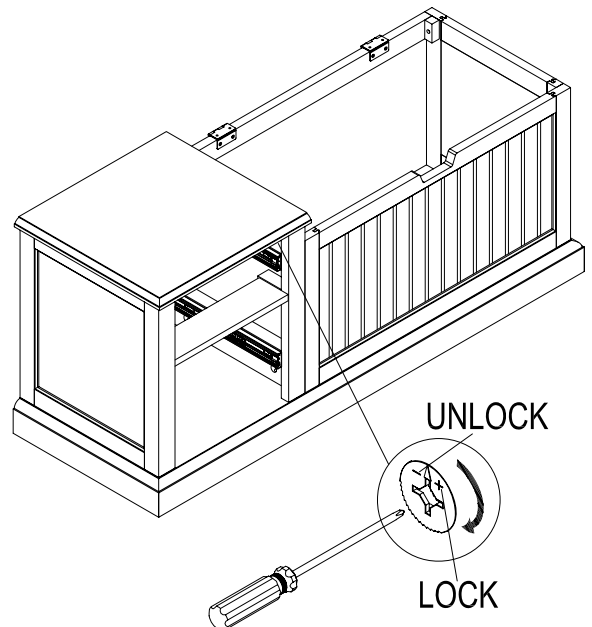
- b) Insert lock (CC) into panels (C) and (D).



- c) Join panel (A) to the assembled body with dowel (AA).



- d) Tighten bolt (BB) with lock (CC) in the pre-drilled holes.

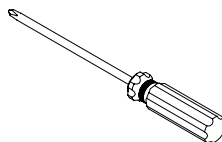
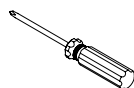
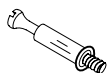


Wood dowel    Cam lock bolt    Cam lock    Small head    Large head

(AA) x 4

(BB) x 4

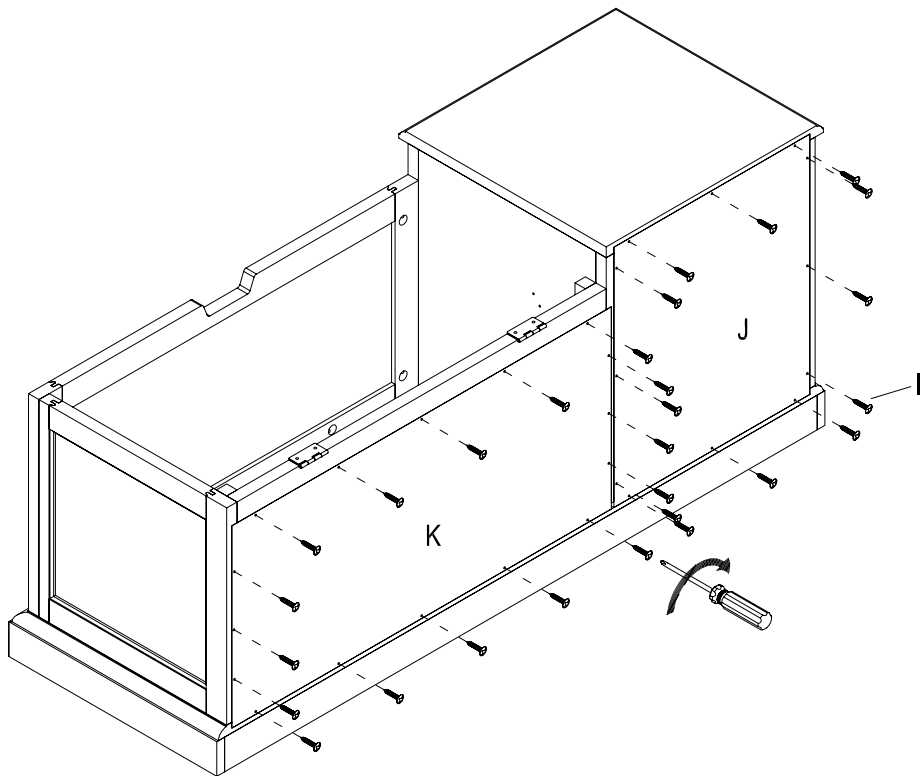
(CC) x 4



## Assembly (continued)

### 7 Attaching the back panel

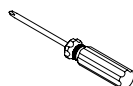
- Tighten panels (J) and (K) to the assembled body with screw (II) as shown.



5/8 in. Round head  
screw  
(II) x 28



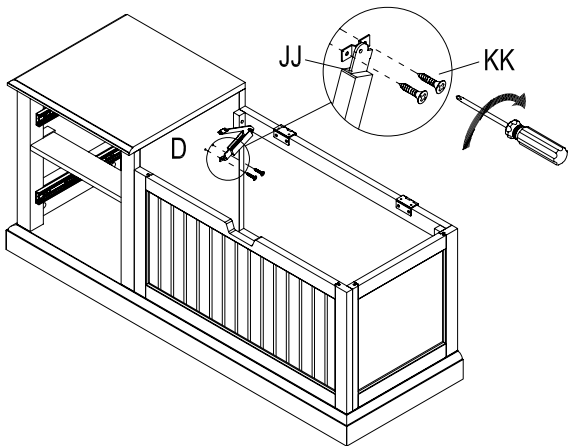
Small head



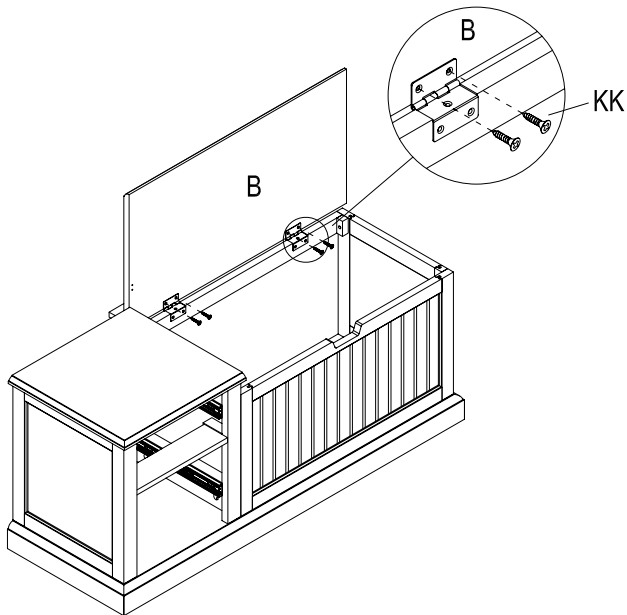
# Assembly (continued)

## 8 Attaching the right top panel and cushion

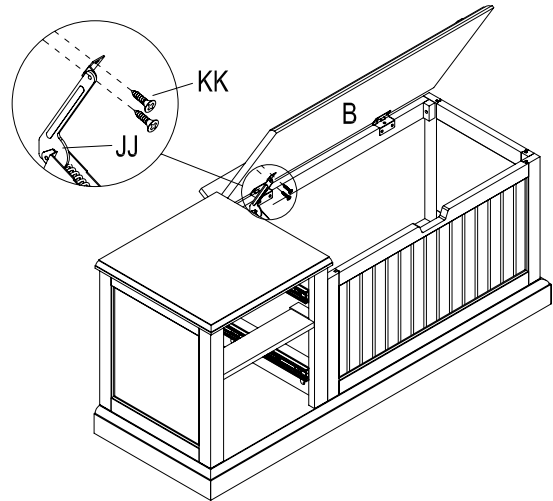
- a) Attach safety hinge (JJ) to panel (D) with screw (KK) as shown.



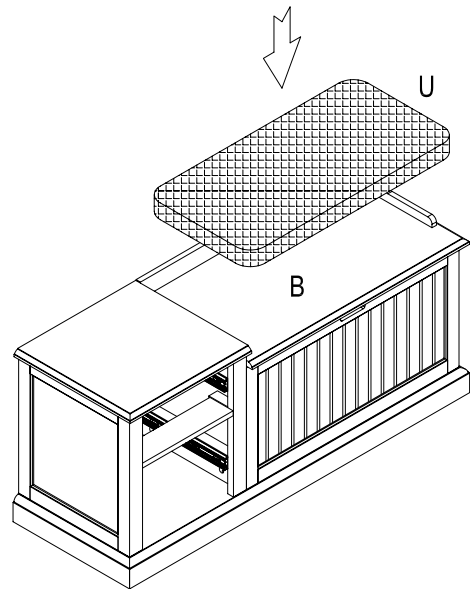
- b) Attach panel (B) to assembled body with screw (KK) as shown.



- c) Attach safety hinge (JJ) to panel (B) with screw (KK) as shown.

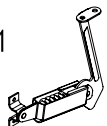


- d) Place cushion (U) on the panel (B).



left safety hinge

(JJ) x 1

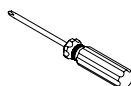


1/2 in. Flat head screw

(KK) x 8



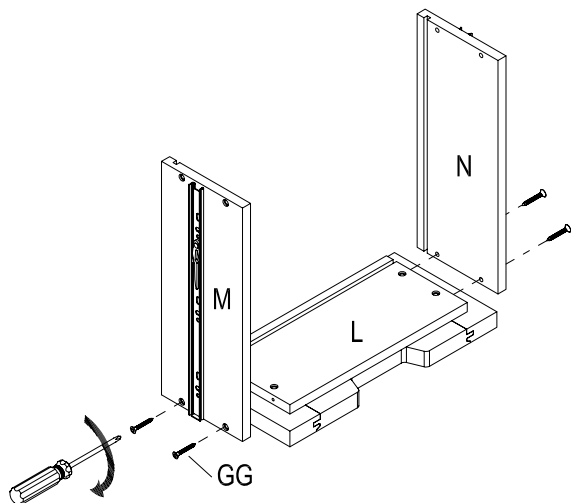
Small head



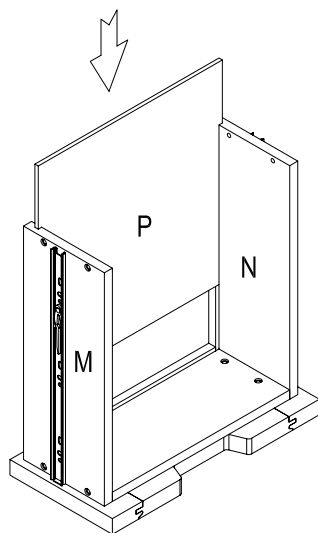
## Assembly (continued)

### 9 Assembling the small drawer

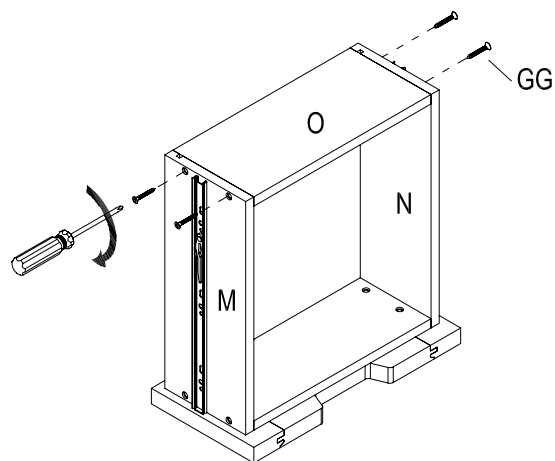
- a) Tighten panels (M) and (N) to panel (L) with screw (GG).



- b) Slide panel (P) into the grooves on panels (M) and (N).



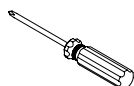
- c) Tighten panel (O) to the assembled body with screw (GG).



1 in. Flat head screw

Small head

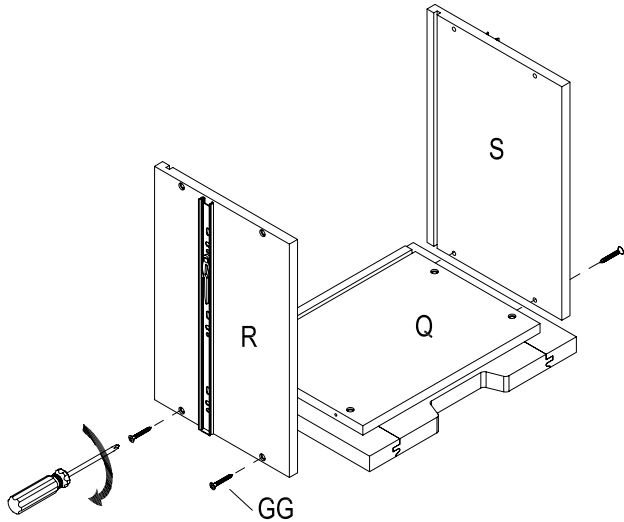
(GG) x 8



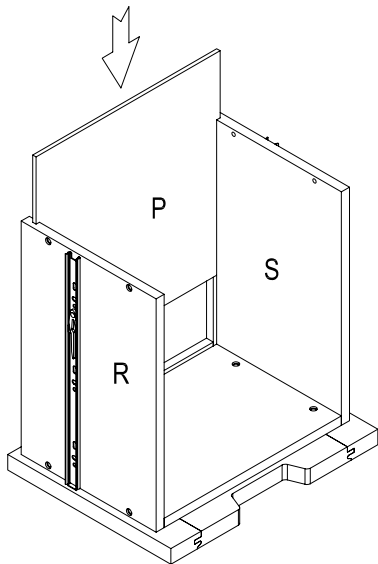
## Assembly (continued)

### 10 Assembling the large drawer

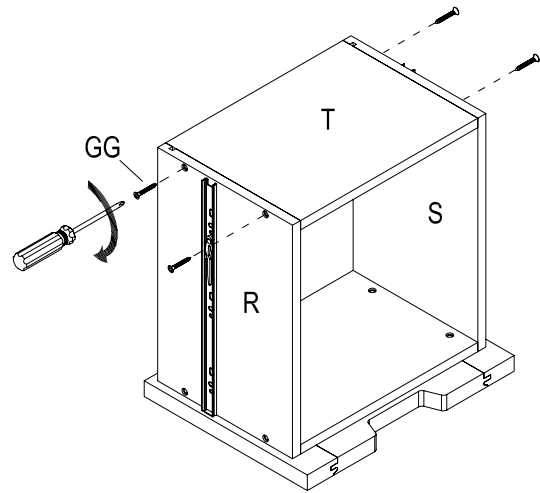
- a) Tighten panels (R) and (S) to panel (Q) with screw (GG).



- b) Slide panel (P) into the grooves on panels (R) and (S).



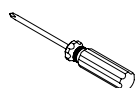
- c) Tighten panel (T) to the assembled body with screw (GG).



1 in. Flat head screw

Small head

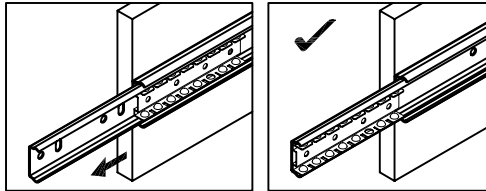
(GG) x 8



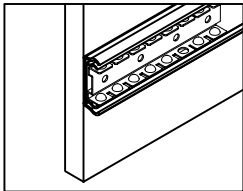
## Assembly (continued)

# 11 Inserting the drawer

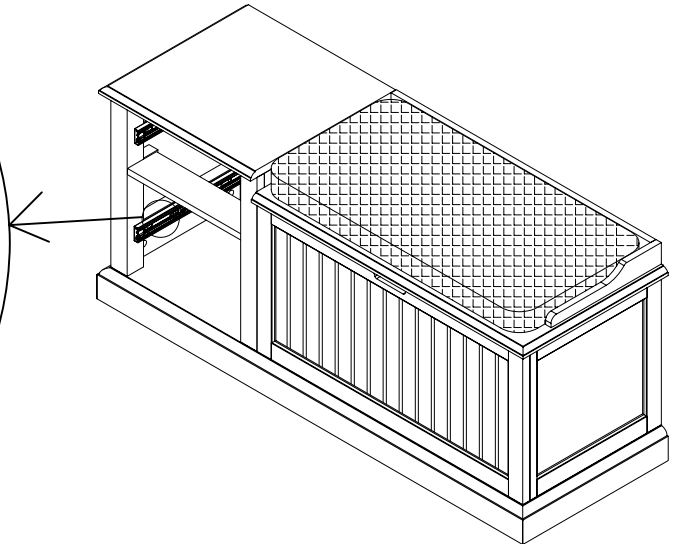
- Insert the drawer into the assembled body as shown.



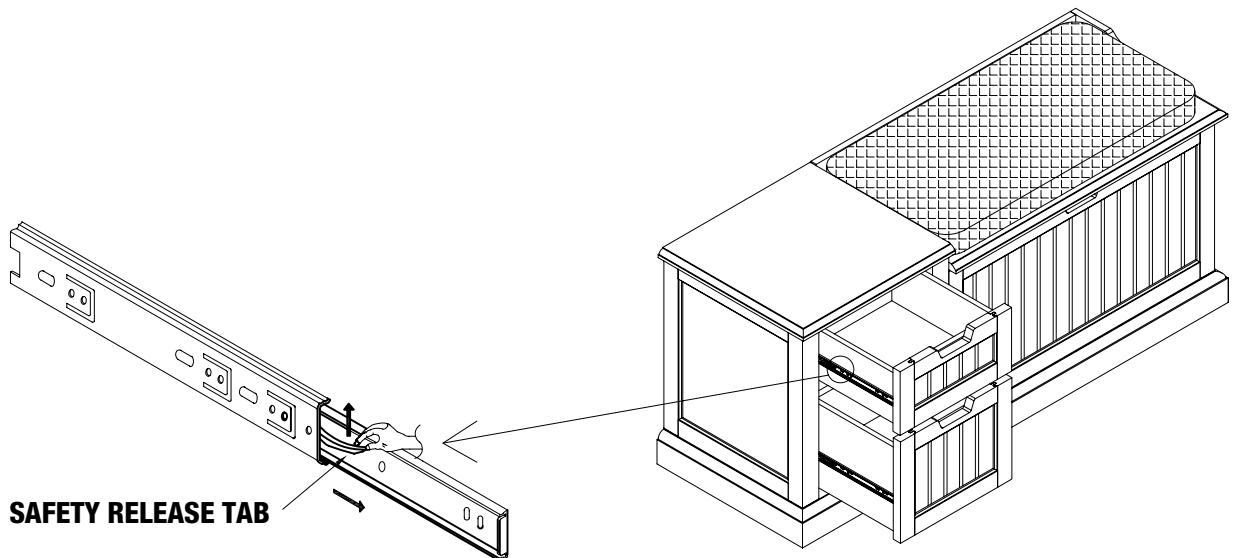
1. Pull out slide. Slide bearings forward.



2. Push slide back inside.  
Repeat for every slide!



**NOTE:** Make sure the slide piece is at the front end of the glide when installing the drawer into the body.



**SAFETY RELEASE TAB**



**NOTE:** When removing the drawer, tip-up the safety release tab to remove the drawer from the body.

HOME  
DECORATORS  
COLLECTION®

Questions, problems, missing parts?  
Before returning to the store, call Home Decorators Collection Customer Service.  
8 a.m. – 7 p.m., EST, Monday – Friday, 9 a.m. – 6 p.m., EST, Saturday

**1-800-998-7021**

**[HOMEDEPOT.COM/HOMEDECORATORS](https://www.homedepot.com/homedecorators)**

Retain this manual for future use.