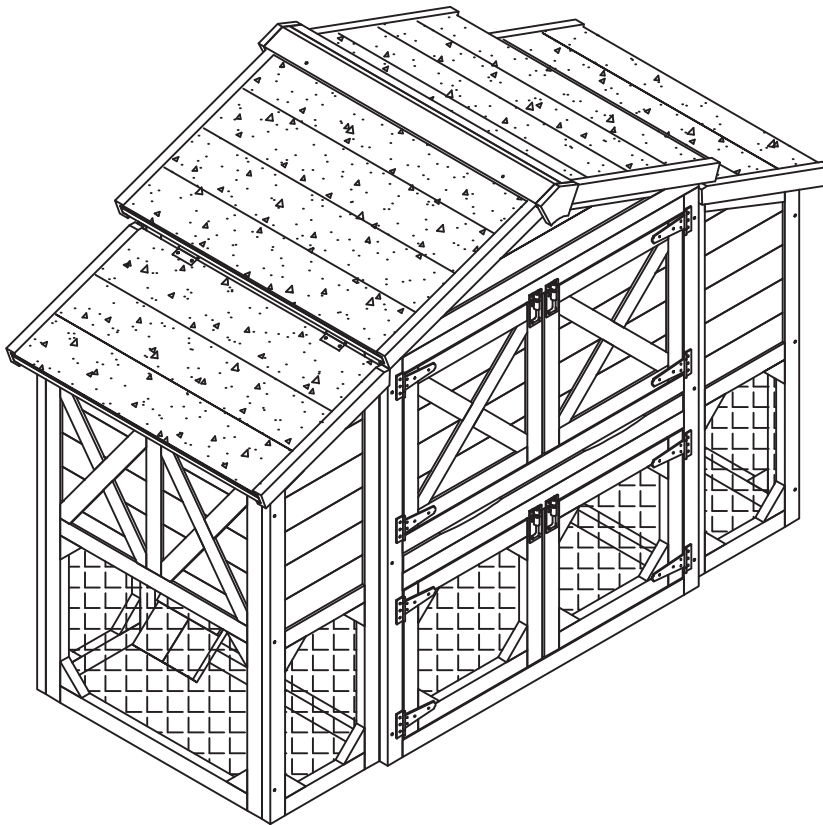


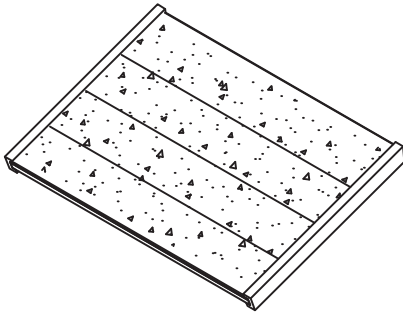
CARE INSTRUCTIONS

Thank you for choosing ZOOVILLAS[™] COUNTRY STYLE CHICKEN COOP. With a little care and maintenance, ZOOVILLAS[™] COUNTRY STYLE CHICKEN COOP will provide your pet with comfort and enjoyment for many years to come!

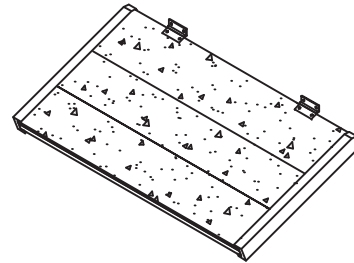
- To clean panels, use clean water on a damp cloth.
- When assembling ZOOVILLAS[™] COUNTRY STYLE CHICKEN COOP, please handle all panels and/or hardware with care to avoid any possibilities of damages and/or injuries.
- Cover during harsh weather to keep it from weathering.
- It is highly recommended that you treat ZOOVILLAS[™] COUNTRY STYLE CHICKEN COOP with a weatherproof coating of stain once a year, to increase life expectancy and maintain the look.



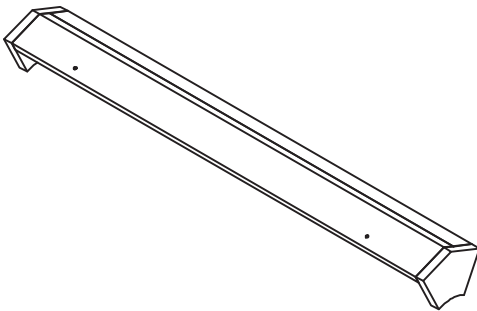
NOTE: Please read all instructions carefully before starting assembly. Also, we recommend that the unit is fully assembled on a level surface. Two people are recommended to assemble this product. **DO NOT** over torque screws and bolts.



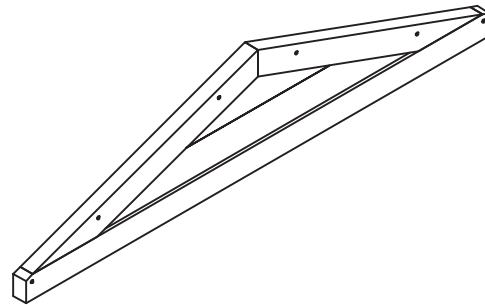
1 MAIN COOP ROOF PANEL X 2PCS



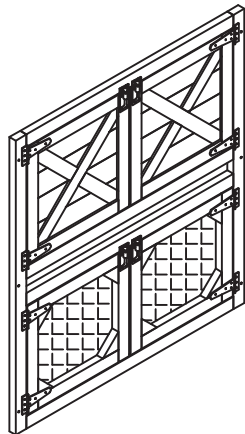
2 NESTING BOX ROOF X 2PCS



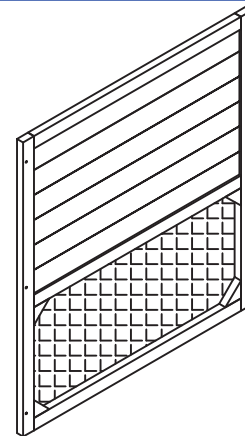
3 MAIN COOP ROOF CAP X 1PC



4 MAIN COOP ROOF GABLE X 2PCS

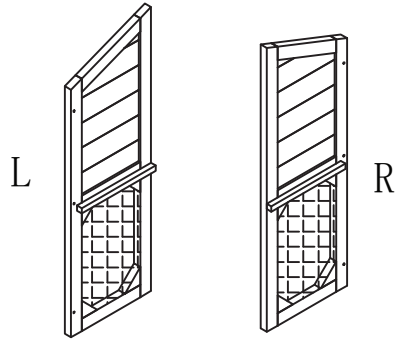


5 MAIN COOP FRONT PANEL X 1PC

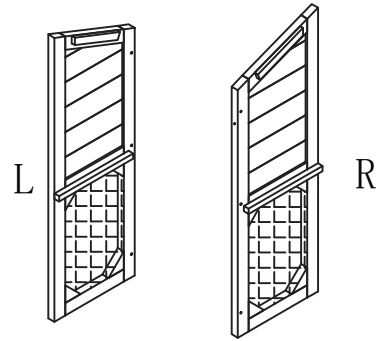


6 MAIN COOP BACK PANEL X 1PC

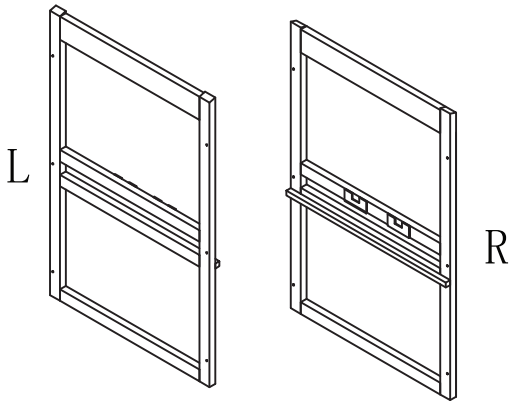
NOTE: Please read all instructions carefully before starting assembly. Also, we recommend that the unit is fully assembled on a level surface. Two people are recommended to assemble this product. DO NOT over torque screws and bolts.



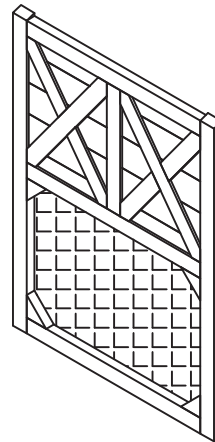
7 NESTING BOX BACK PANEL X 2PCS



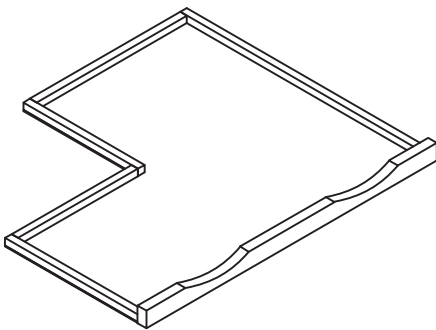
8 NESTING BOX FRONT PANEL X 2PCS



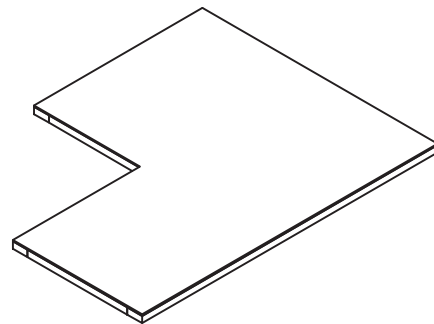
9 NESTING BOX INNER PANEL X 2PCS



10 NESTING BOX OUTER PANEL X 2PCS

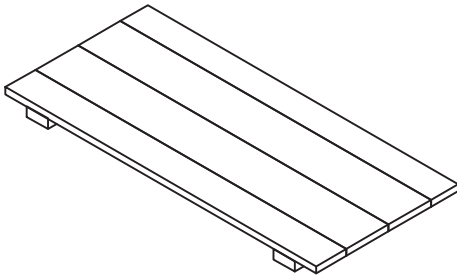


11 REMOVABLE TRAY X 1PC

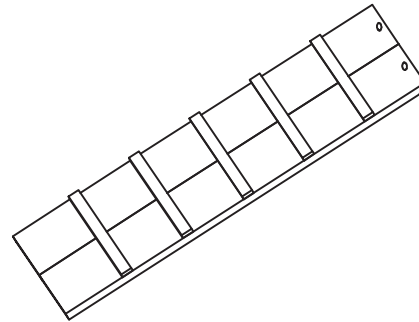


12 MAIN COOP BOTTOM X 1PC

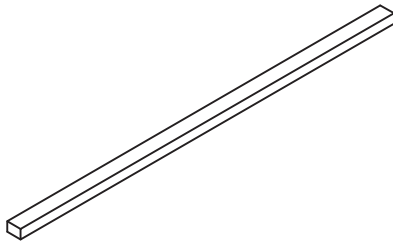
NOTE: Please read all instructions carefully before starting assembly. Also, we recommend that the unit is fully assembled on a level surface. Two people are recommended to assemble this product. **DO NOT** over torque screws and bolts.



13 NESTING BOX BOTTOM X 2PCS



14 MAIN COOP RAMP X 1PC



15 MAIN COOP ROOSTING BAR X 2PCS



A ——— SCREW 3x16 ——— **10 PCS**



B ——— SCREW 3x30 ——— **4 PCS**



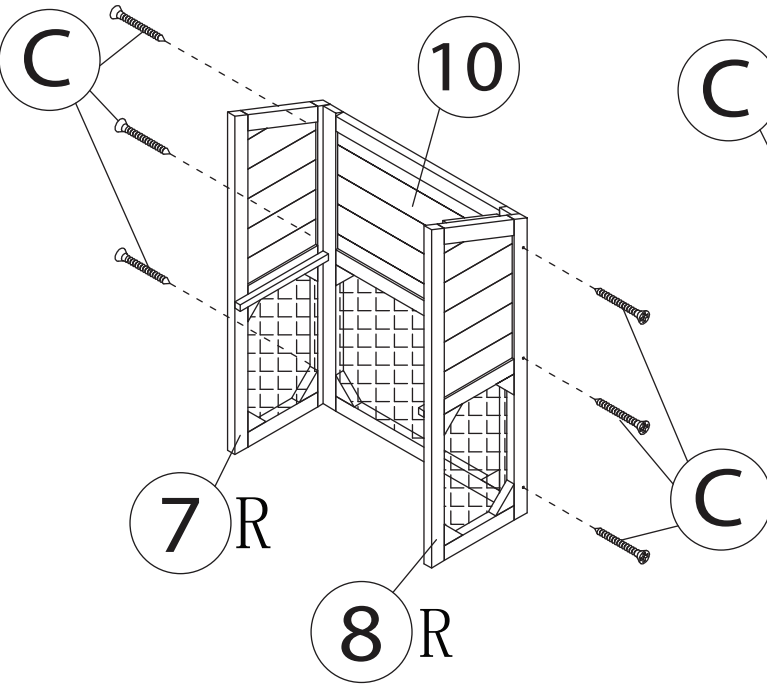
C ——— SCREW 3.5x35 ——— **48 PCS**



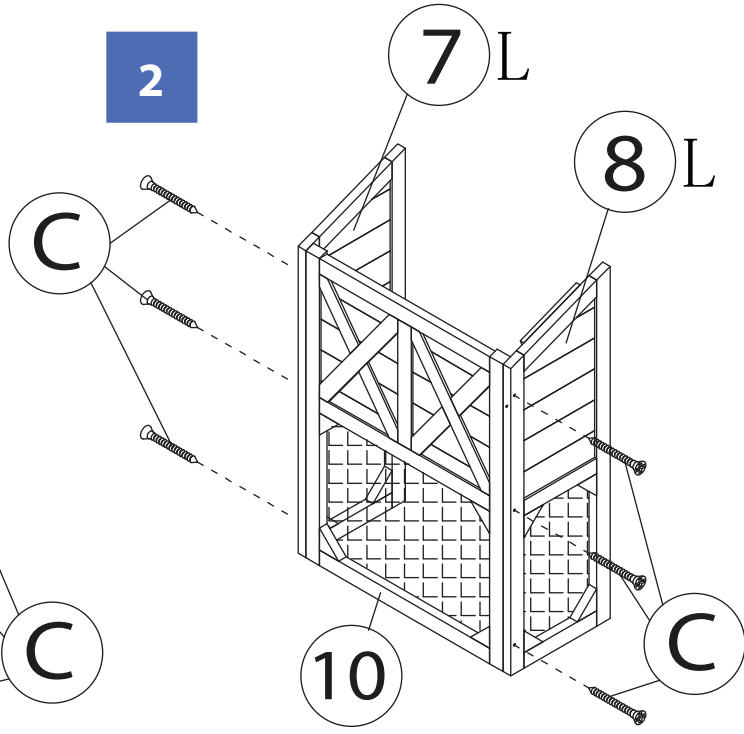
D ——— NESTING BOX LATCH ——— **2 PCS**

NOTE: Please read all instructions carefully before starting assembly.
 Also, we recommend that the unit is fully assembled on a level surface.
 Two people are recommended to assemble this product.
 DO NOT over torque screws and bolts.

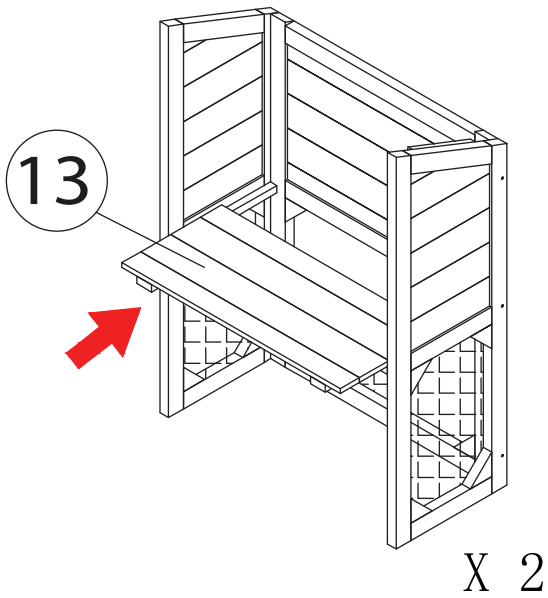
1



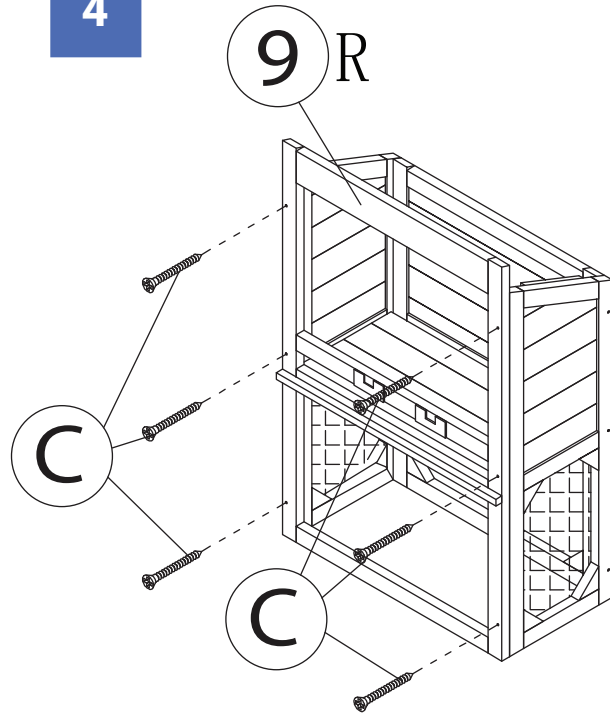
2

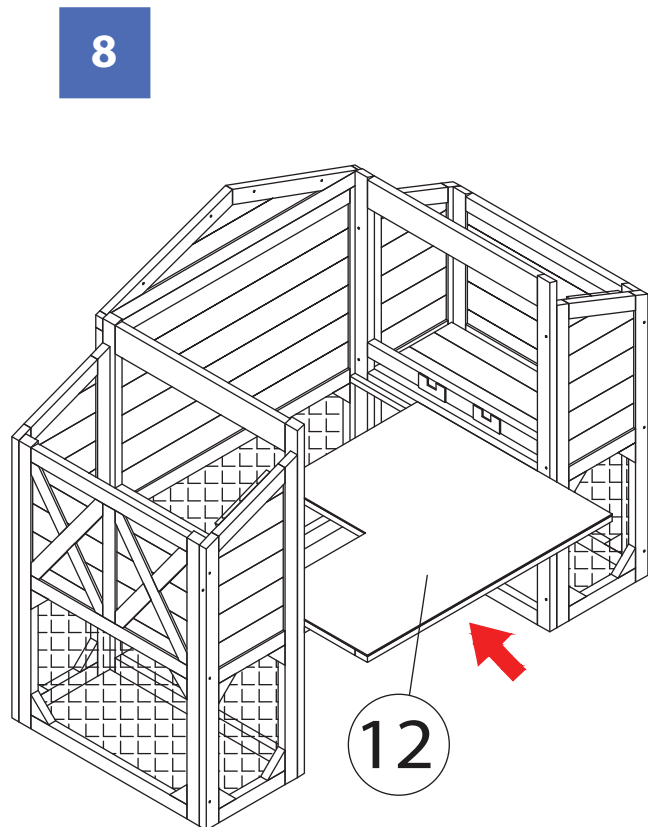
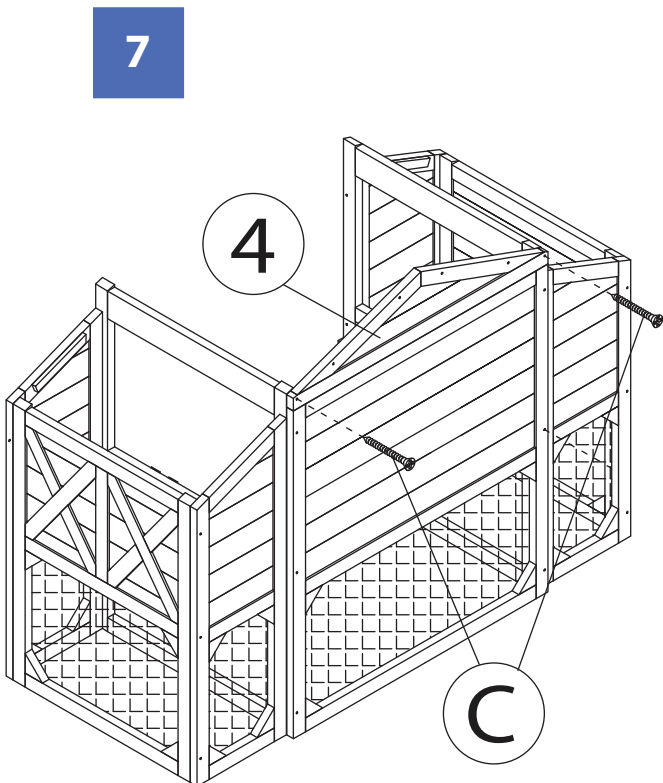
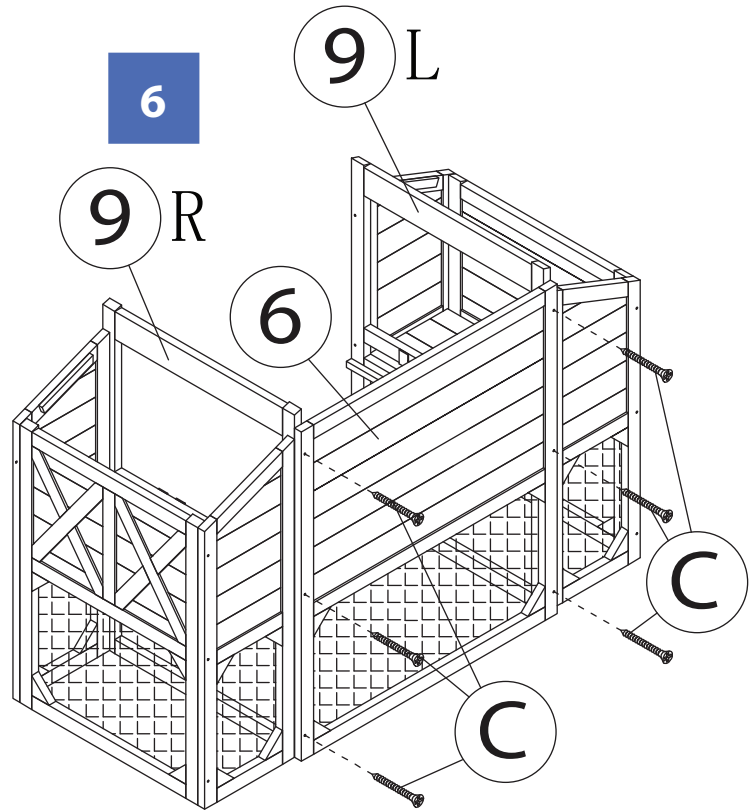
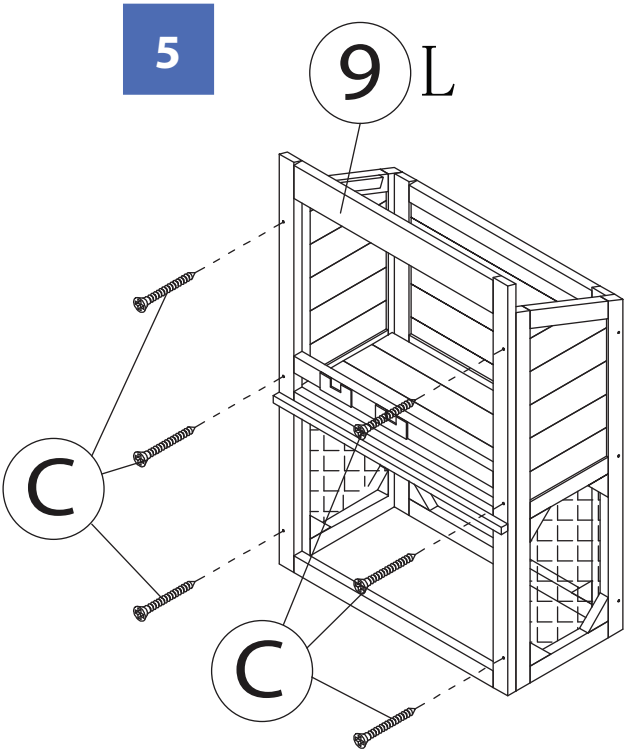


3

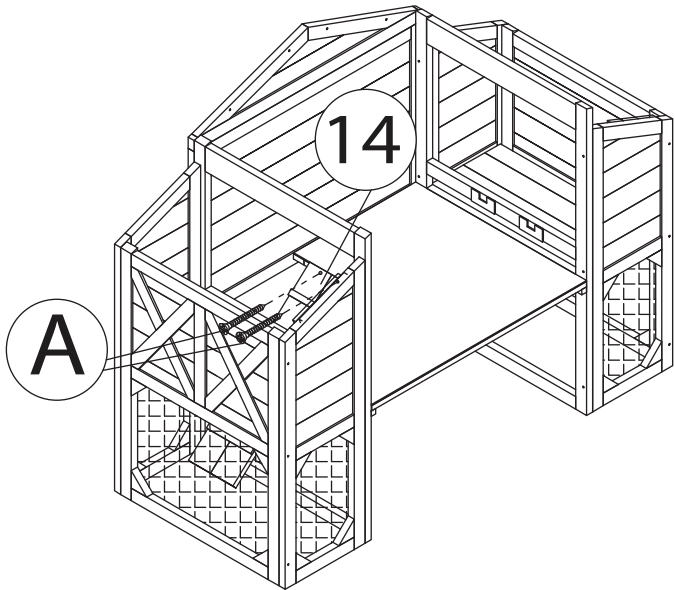


4

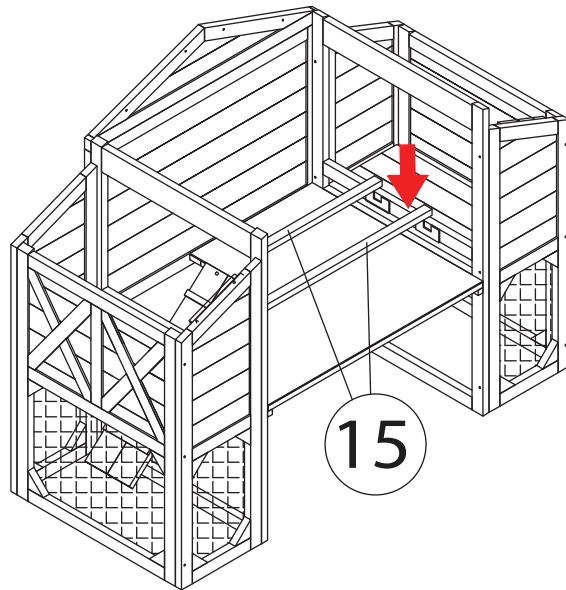




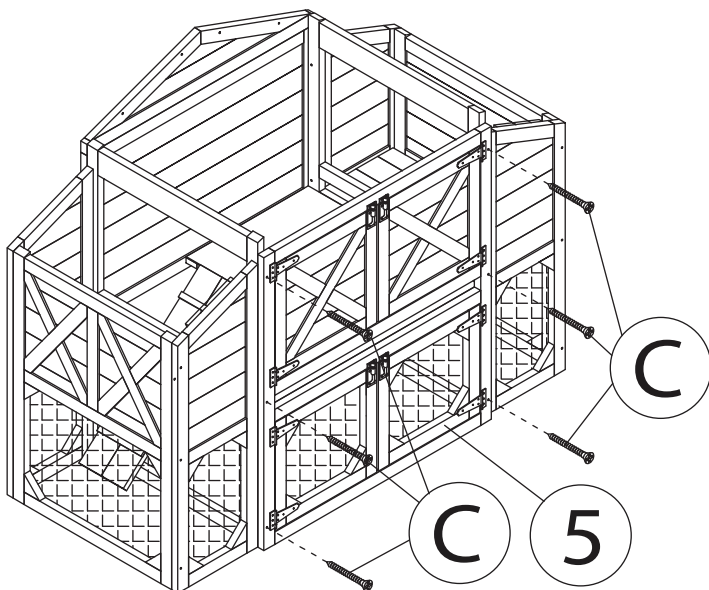
9



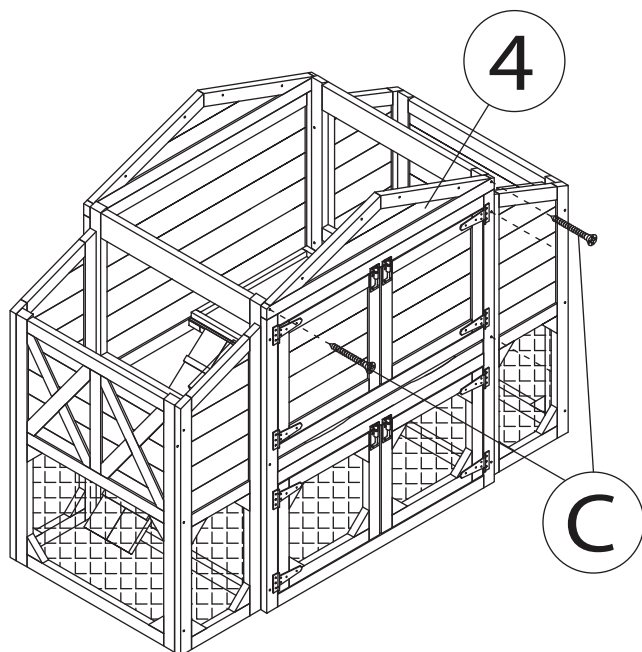
10

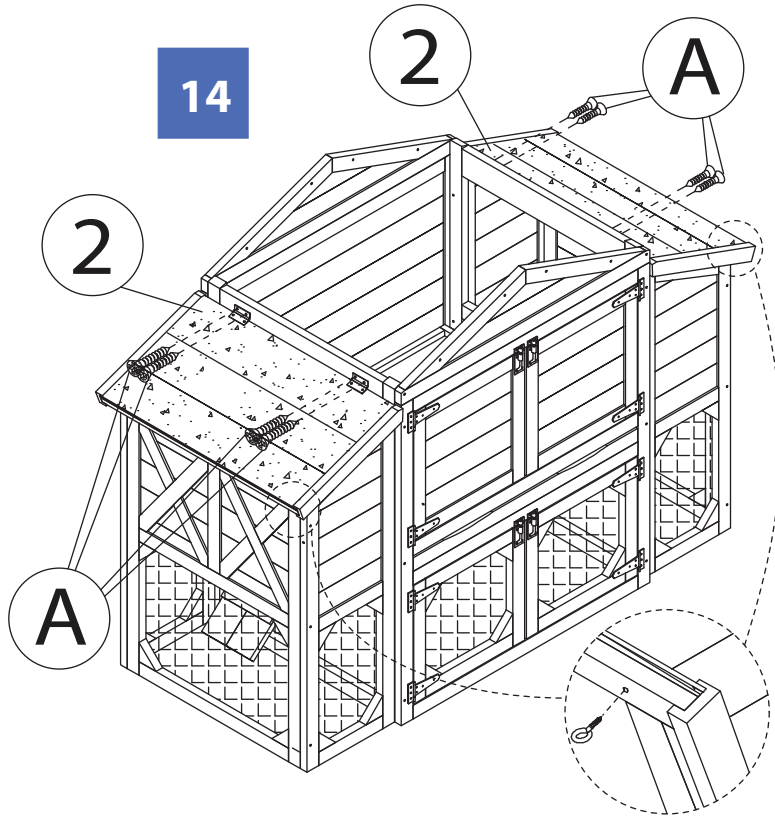
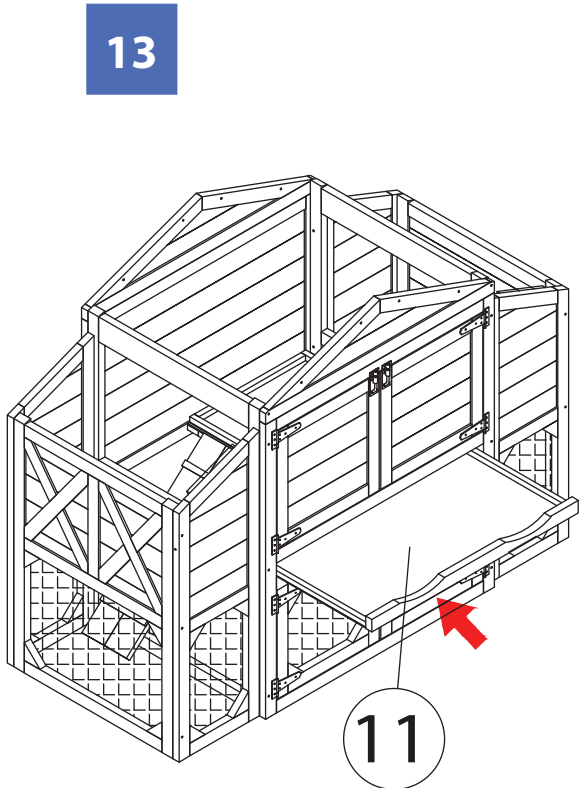


11

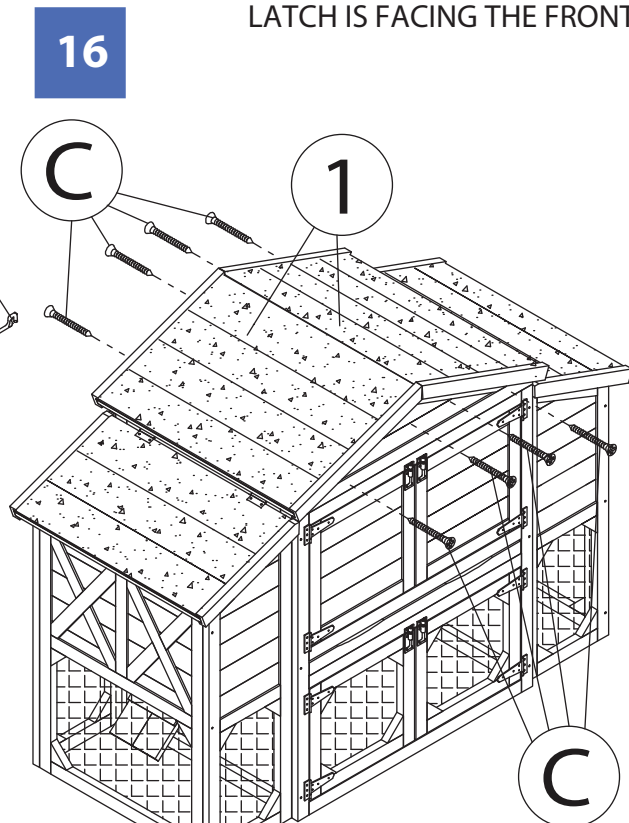
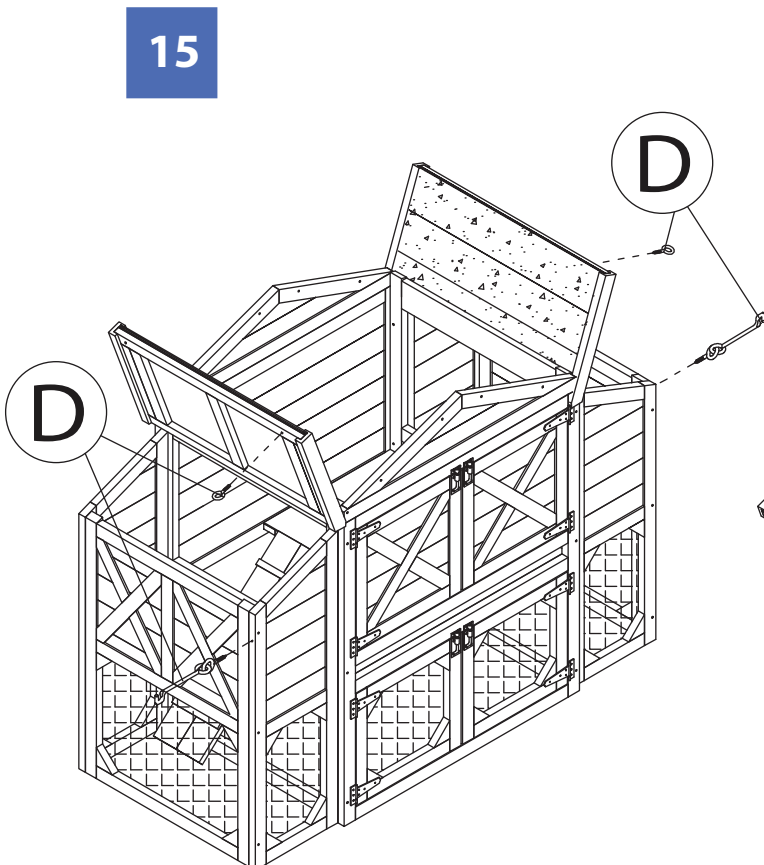


12

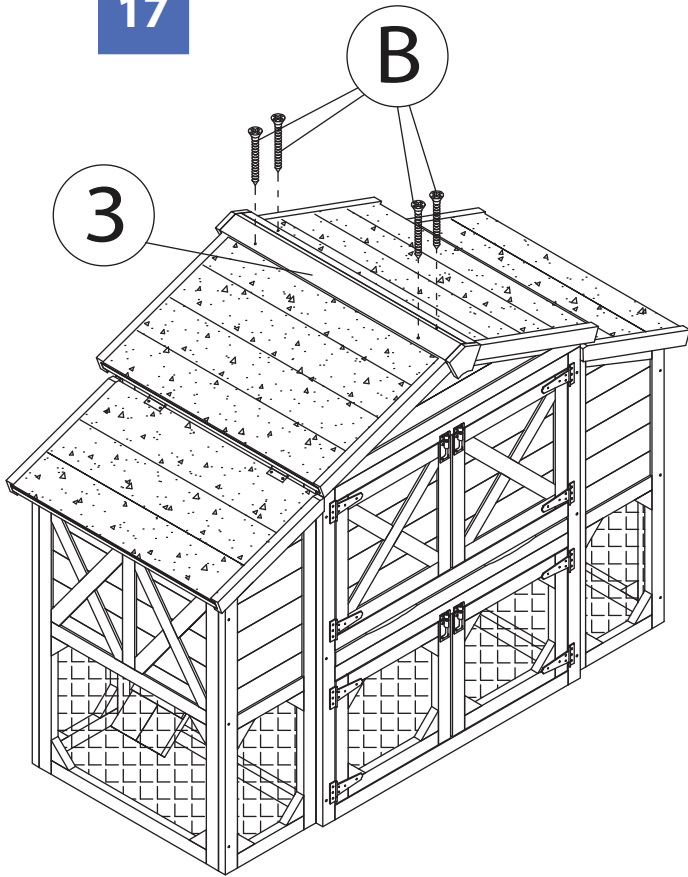




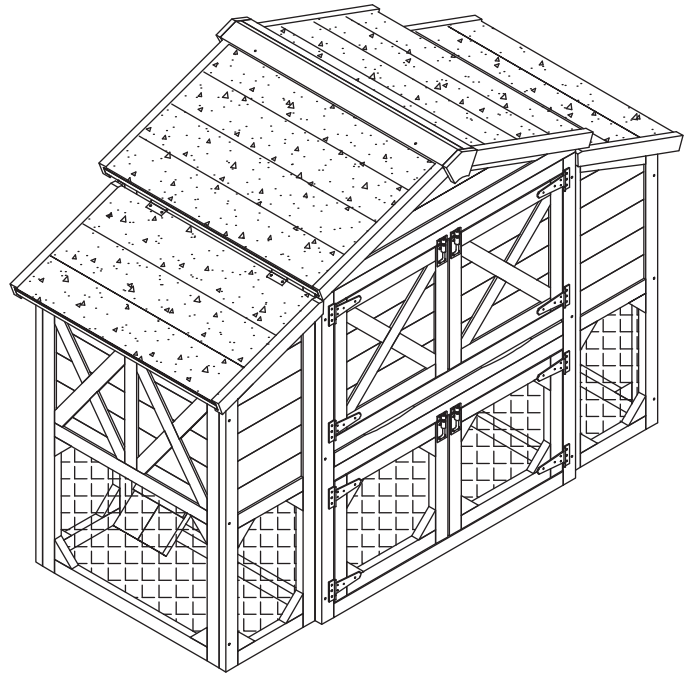
NOTE: ENSURE PILOT HOLE FOR LATCH IS FACING THE FRONT



17



18



Please check contents before assembly. If any items are missing or damaged, do not take the unit back to the store. Call (775) 629-5029 or email: service@merryproducts.com for customer service and we will save you time by correcting any problems directly for you.

NOTE: Please read all instructions carefully before starting assembly. Also, we recommend that the unit is fully assembled on a level surface. Two people are recommended to assemble this product. DO NOT over torque screws and bolts.