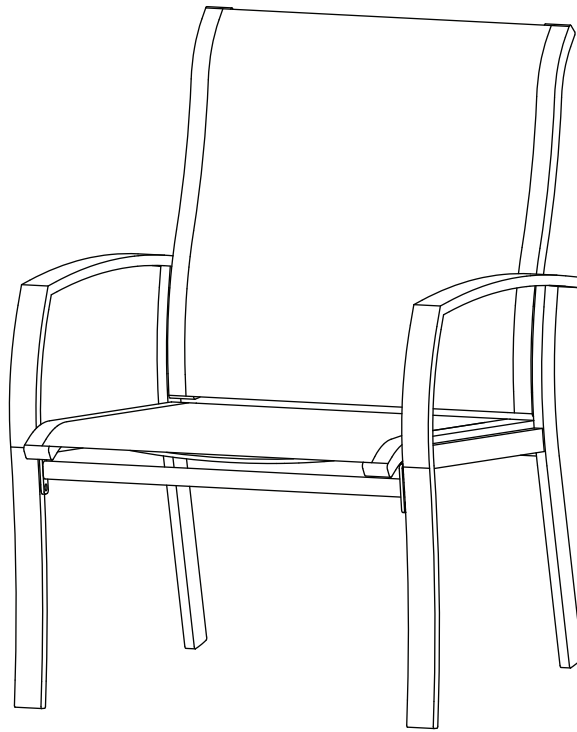


## USE AND CARE GUIDE

---

### ALUMINUM OVERSIZED CHAIR



Questions, problems, missing parts? Before returning to the store,  
call Home Decorators Collection Customer Service.  
8 a.m. - 7 p.m., EST, Monday - Friday, 9 a.m. - 6 p.m., EST, Saturday

**1-800-986-3460**

**[HOMEDEPOT.COM/HOMEDECORATORS](http://HOMEDEPOT.COM/HOMEDECORATORS)**

---

**THANK YOU**

*We appreciate the trust and confidence you have placed in Home Decorators Collection through the purchase of this chair. We strive to continually create quality products designed to enhance your home. Visit us online to see our full line of products available for your home improvement needs.*

*Thank you for choosing Home Decorators Collection!*

# Table of Contents

Table of Contents.....	2	Pre-Assembly .....	3
Safety Information .....	2	Planning Assembly .....	3
Product Caution .....	2	Hardware Included .....	3
Safety Warnings .....	2	Package Contents .....	4
Warranty .....	2	Assembly .....	5
What is Covered .....	2	Care and Cleaning .....	9
What is Not Covered .....	2		

# Safety Information

## PRODUCT CAUTION

This chair was made for the explicit purpose of providing outdoor functions and is not to be used as a toy. This product is intended for normal outdoor use; however, the manufacturer recommends storing and / or covering this chair when any formidable / severe weather is approaching. Do not locate this product near open flames. Do not use this product as a support. Do not shake, lean or climb on the product. Children under the age of 10, near the product, should be supervised by a competent adult at all times. This product is NOT intended for commercial use and will void the warranty.

## SAFETY WARNINGS



**WARNING:** Please keep children out of the assembly area before assembly.



**WARNING:** This chair unit is heavy, and may require two adults for safe assembly.



**CAUTION:** Do not locate the product near any heat source.

# Warranty

## 5 YEAR FRAME WARRANTY

### WHAT IS COVERED

We warrant the frame to be free of manufacturing defects to the original purchaser for five years.

### WHAT IS NOT COVERED

It remains the customer's responsibility for freight and packaging charges to and from our service center. This warranty does not cover commercial use, hardware, acts of nature, fire, freezing and abusive use. In addition, purchased parts are not covered under this warranty. We reserve the right to make substitutions with similar merchandise, if the model in question is no longer in production.


Contact the Customer Service Team at 1-800-986-3460 or visit [www.homedepot.com/homedecorators](http://www.homedepot.com/homedecorators).

# Pre-Assembly


## PLANNING ASSEMBLY

Read all instructions before assembly.

To avoid damaging this product, assemble it on a soft, non-abrasive surface such as carpet or cardboard.

 **NOTE:** More than one person may be required to assemble this product.

## HARDWARE INCLUDED

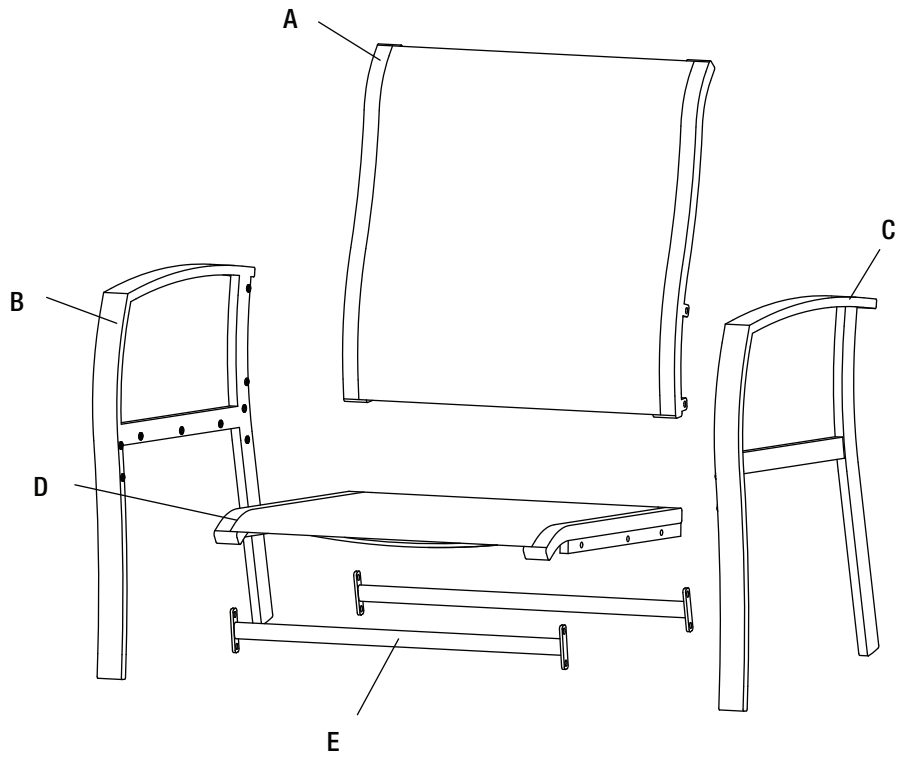
 **NOTE:** Hardware not shown to actual size.



Part	Description	Quantity
AA	M6x20 combination bolt	12+1
BB	M6x25 combination bolt	6+1
CC	Hex wrench	1

# Pre-Assembly (continued)

## PACKAGE CONTENTS

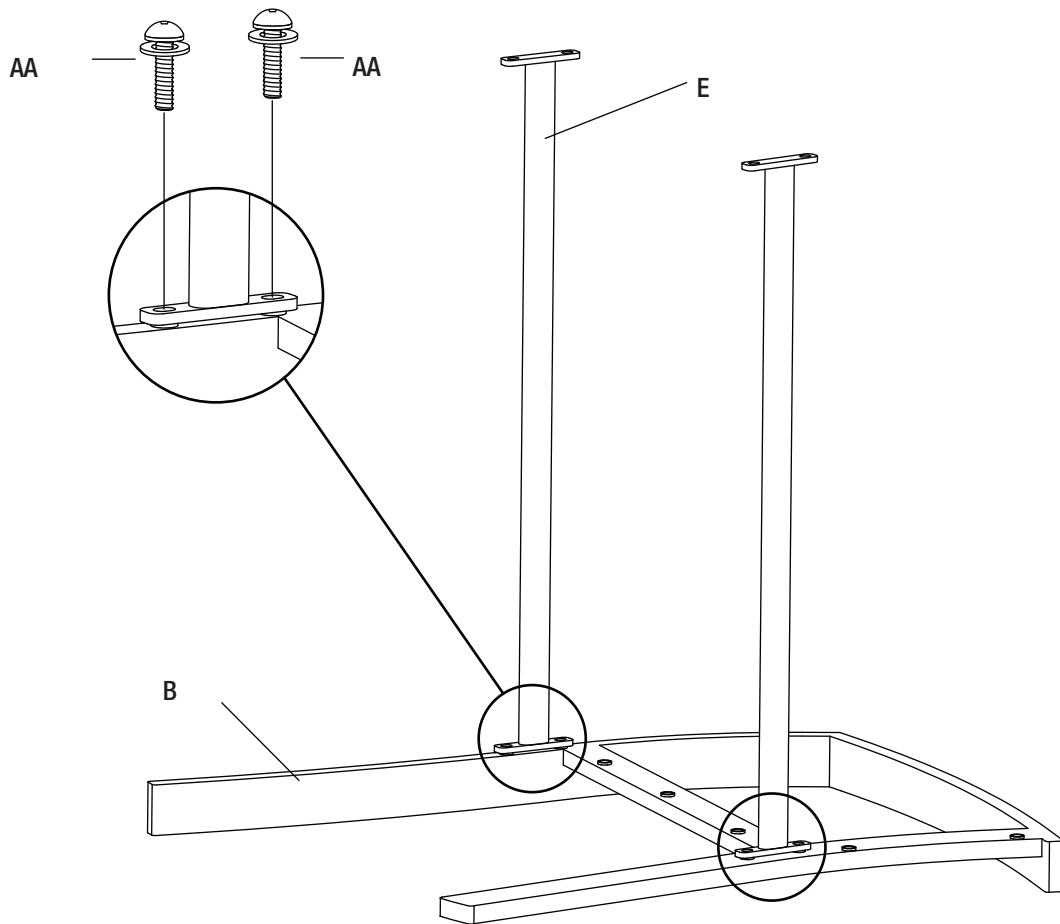


Part	Description	Quantity
A	Backrest	1
B	Right arm	1
C	Left arm	1
D	Seat	1
E	Connector bar	2

# Assembly

## 1 ATTACHING THE CONNECTOR BARS TO THE RIGHT ARM

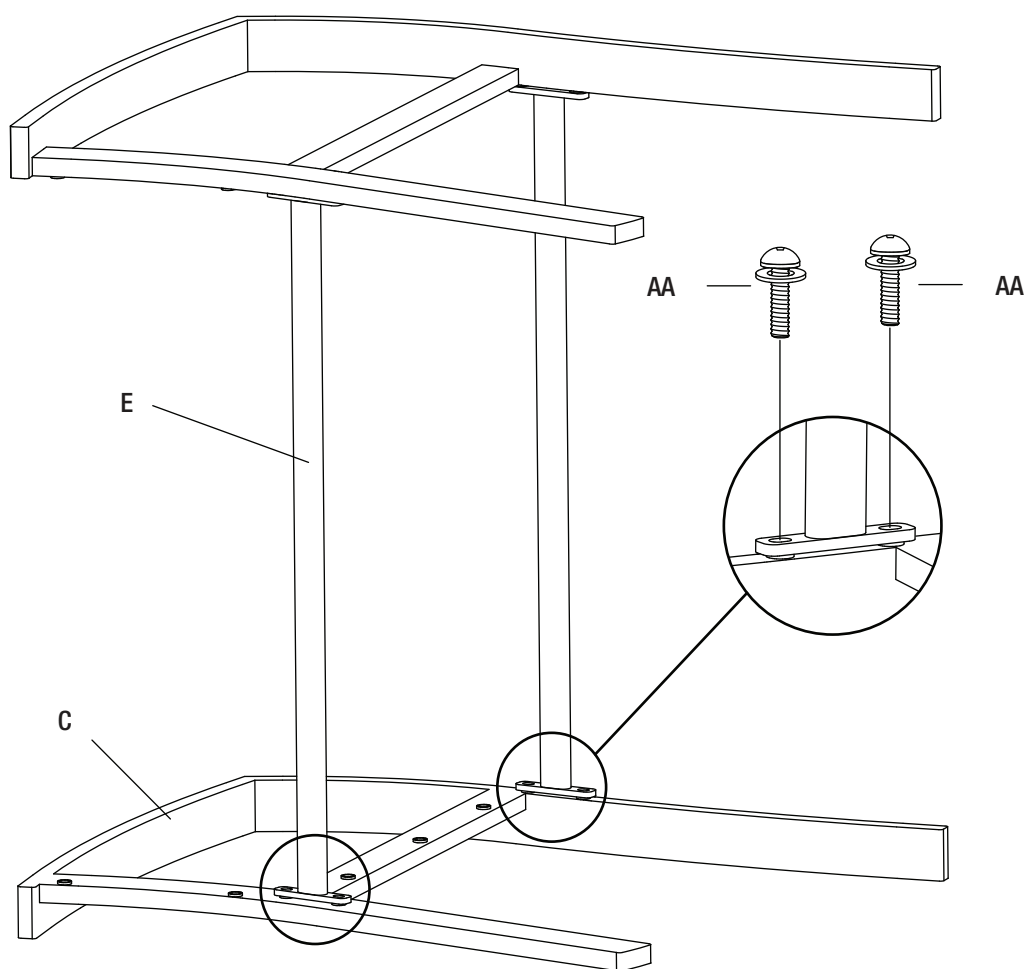
- Place the right arm (B) on the soft surface.
- Attached the connector bars (E) to the right arm (B) using M6x20 combination bolts (AA) using the hex wrench (CC)
- Do not fully tighten all the bolts at this step.



## Assembly (continued)

### 2 ATTACHING THE CONNECTOR BAR TO THE LEFT ARM

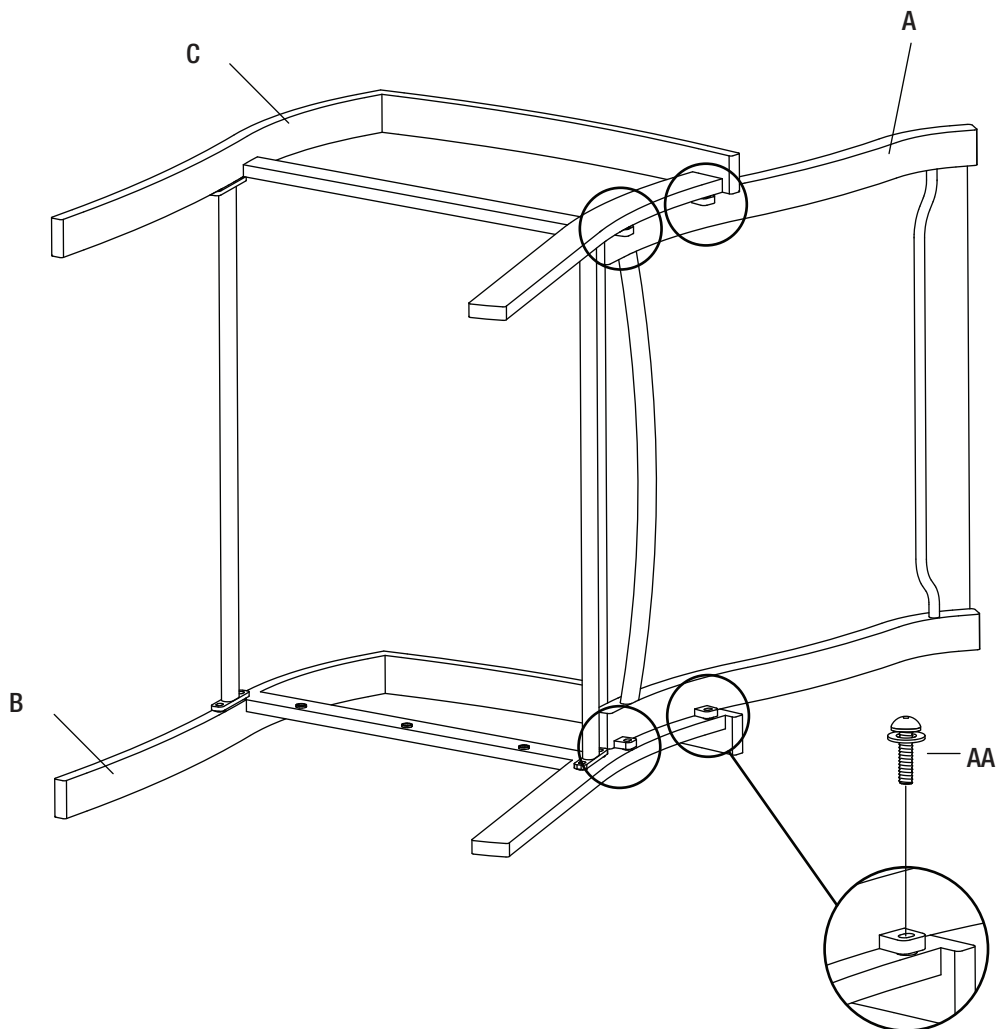
- Attach the connector bars (E) to the left arm (C) using M6x20 combination bolts (AA) using the hex wrench (CC).
- Do not fully tighten all the bolts at this step.



## Assembly (continued)

### 3 CONNECTING THE ARMS TO THE BACKREST

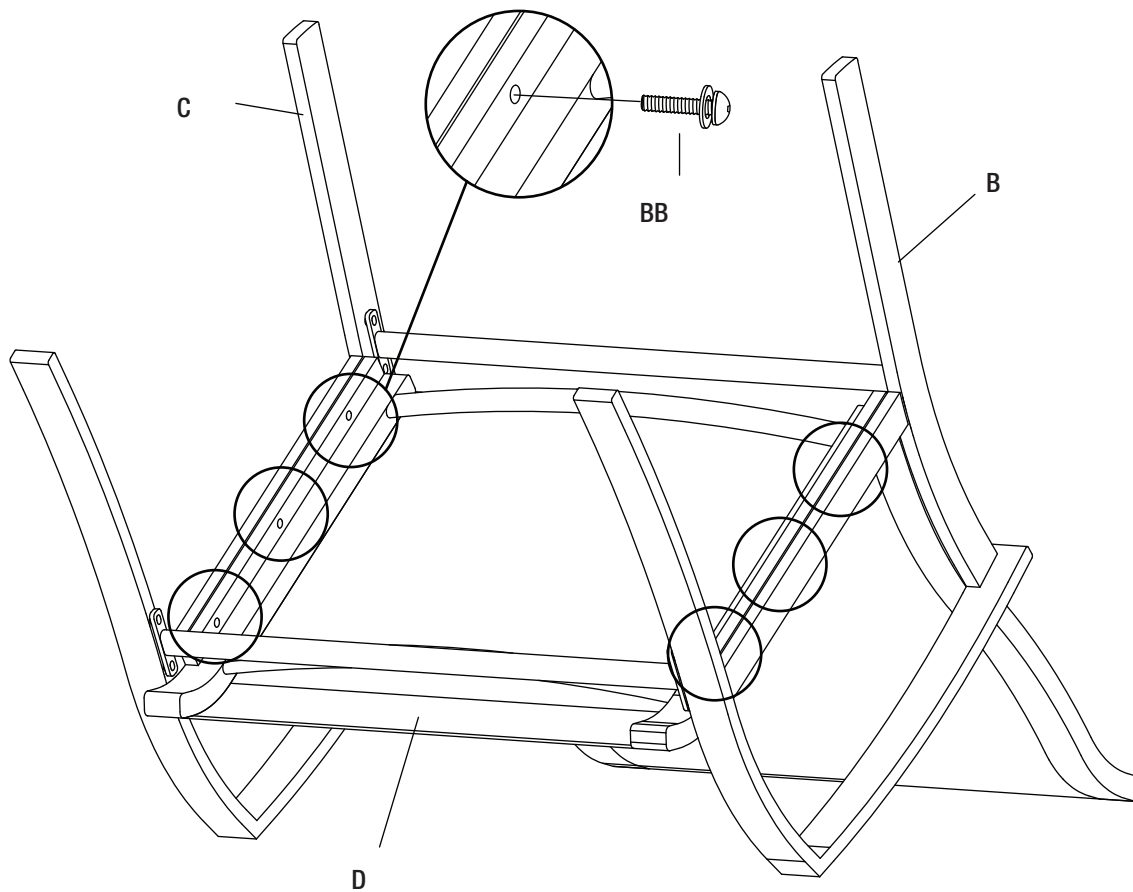
- Attach the left arm (C) to the backrest (A) using M6x20 combination bolts (AA).
- Attach the right arm (B) to the backrest (A) using M6x20 combination bolts (AA).
- Do not fully tighten all the bolts at this step.



## Assembly (continued)

### 4 CONNECTING THE SEAT TO THE ARMS

- Turn the chair upside down.
- Attach the seat (D) to the left arm (C) and the right arm (B) using M6x25 combination bolts (BB).
- Do not fully tighten all the bolts at this step.

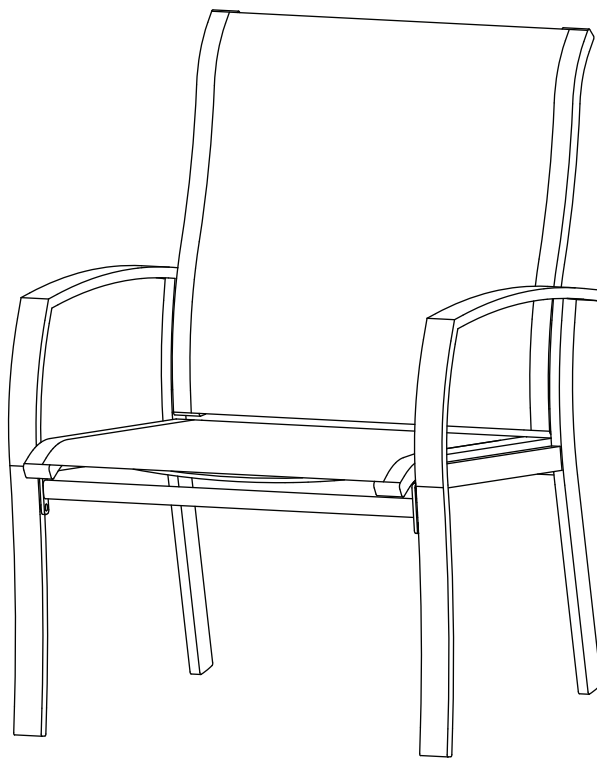




## Assembly (continued)

### 5 CHECKING THE CHAIRS

- Once all of the bolts are in place, fully tighten the bolts using the hex wrench (CC).
- Ensure all connections are secure before use.



## Care and Cleaning

- For best results, clean the chair with a damp cloth and dry thoroughly. This will help prevent mildew by removing dirt particles that may accumulate.
- Do not clean with abrasive materials, bleach, or solvents.
- Store the chair in a dry, sheltered place when not in use.
- Keep the chair away from fire, extreme heat, freezing conditions, and inclement weather such as rain, hail, sleet, snow, or wind.

**HOME  
DECORATORS  
COLLECTION®**

Questions, problems, missing parts? Before returning to the store,  
call Home Decorators Collection Customer Service.  
8 a.m. - 7 p.m., EST, Monday - Friday, 9 a.m. - 6 p.m., EST, Saturday

**1-800-986-3460**

**[HOMEDEPOT.COM/HOMEDECORATORS](http://HOMEDEPOT.COM/HOMEDECORATORS)**

Retain this manual for future use.