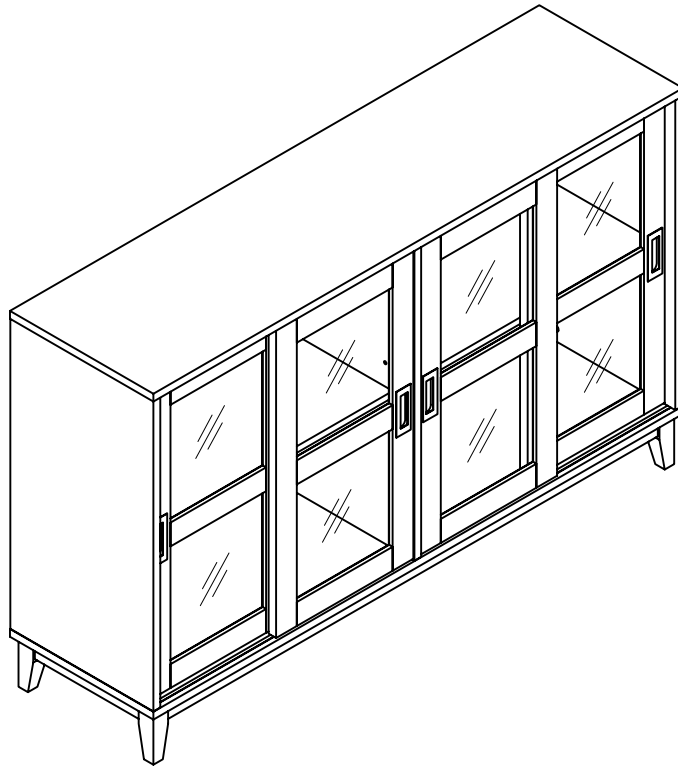


# USE AND CARE GUIDE

---

## BUFFET WITH GLASS DOOR



Questions, problems, missing parts? Before returning to the store,  
call Home Decorators Collection Customer Service.  
8 a.m. – 7 p.m., EST, Monday – Friday, 9 a.m. – 6 p.m., EST, Saturday

**1-800-998-7021**

**[HOMEDEPOT.COM/HOMEDECORATORS](http://HOMEDEPOT.COM/HOMEDECORATORS)**

---

**THANK YOU**

*We appreciate the trust and confidence you have placed in Home Decorators Collection through the purchase of this buffet with glass door. We strive to continually create quality products designed to enhance your home. Visit us online to see our full line of products available for your home improvement needs. Thank you for choosing Home Decorators Collection!*

# Table of Contents

Table of Contents.....	2	Hardware Included.....	3
Safety Information.....	2	Pre-assembly (continued).....	4
Warranty.....	2	Package Contents .....	4
3 Year Warranty .....	2	Assembly .....	5
What is Covered .....	2		
What is Not Covered .....	2		
Pre-assembly.....	3		
Planning Assembly.....	3		
Tools Required .....	3		

# Safety Information



## DANGER

- Keep small parts away from children during assembly.
- Read and follow instructions carefully.



## WARNING

- Read these instructions carefully and keep in a safe place.
- TO GUARANTEE THE SAFE USE OF THIS PRODUCT, FOLLOW THE WARNINGS, GUIDELINES AND RECOMMENDATIONS IN THIS MANUAL.
- Adult assembly required.
- Small parts may present choking hazard prior to assembly.
- Do not place heavy objects on the glass top.
- Some assembly may involve attaching glass or mirrors.
- Be very careful handling the glass or mirrors, as severe injury may result if the glass or mirror breaks.
- Never handle large pieces of glass or mirrors by yourself.
- To further reduce the risk of serious injury and death from tip-overs:
  - Place heaviest items in the lowest compartments or drawers.
  - Never allow children to climb or hang on drawers, doors or shelves.
  - Never open more than one drawer at a time.
  - Use of tip-over restraints may only reduce, but not eliminate, the risk of tip-over.
  - For safe mounting, it is essential to use wall anchors appropriate to your wall type (i.e. plaster, drywall, concrete, etc). Mount to wood studs whenever possible.\*



## CAUTION

- Do not use power tools to assemble your furniture. Power tools may strip or damage parts/product.
- Do not overtighten connectors (screws, bolts, etc.). Overtightening can lead to product damage.
- Be sure to check all packing materials carefully for small parts that may have come loose inside the carton during shipment. If parts are missing, contact THE HOME DEPOT to obtain any missing parts.
- DO NOT USE SUBSTITUTE PARTS.
- This product should only be used on a flat, level surface.

# Warranty

## 3 YEAR WARRANTY

### WHAT IS COVERED

We guarantee this product to be free of manufacturing defects to the original purchaser for three years.

### WHAT IS NOT COVERED

This warranty does not cover commercial use, acts of nature, and abusive use.

# Pre-assembly

## PLANNING ASSEMBLY

Keep children and pets away from build area. Make sure your area is large enough to unpack, sort and assemble the unit.

## TOOLS REQUIRED



Small head  
Phillips  
screwdriver

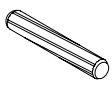


Large head  
Phillips  
screwdriver

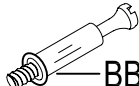
## HARDWARE INCLUDED



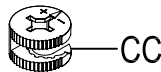
NOTE: Hardware not shown to actual size.



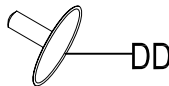
AA



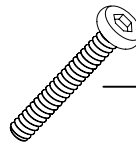
BB



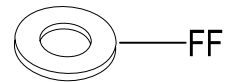
CC



DD



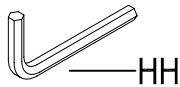
EE



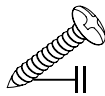
FF



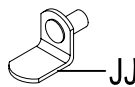
GG



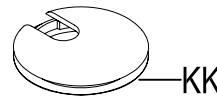
HH



II



JJ



KK



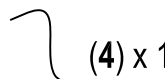
(1) x 2



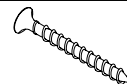
(2) x 1



(3) x 1



(4) x 1



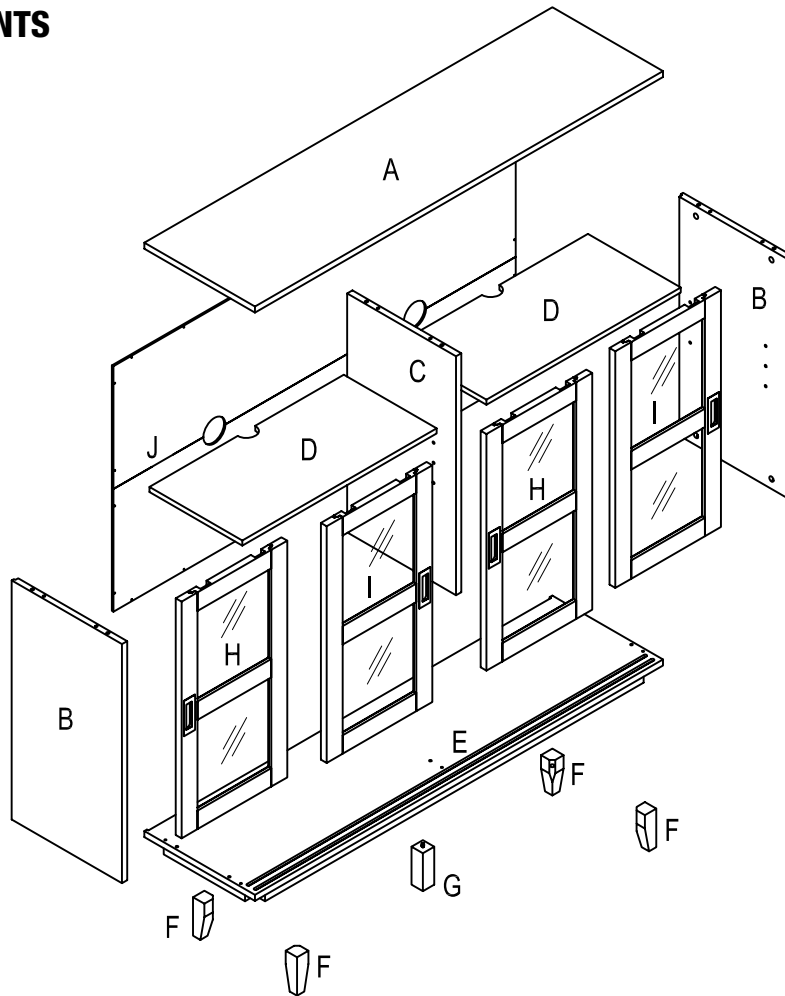
(5) x 1

LL

Part	Description	Quantity
AA	Wood dowel	12
BB	Cam lock bolt	12
CC	Cam lock	12
DD	Plastic cover	12
EE	Bolt	4
FF	Flat washer	4
GG	Spring washer	4
HH	Wrench	1
II	5/8 in. Flat head screw	26
JJ	Shelf support	8
KK	Wire plug	2
LL	Anti-tipping hardware package	1

# Pre-assembly (continued)

## PACKAGE CONTENTS

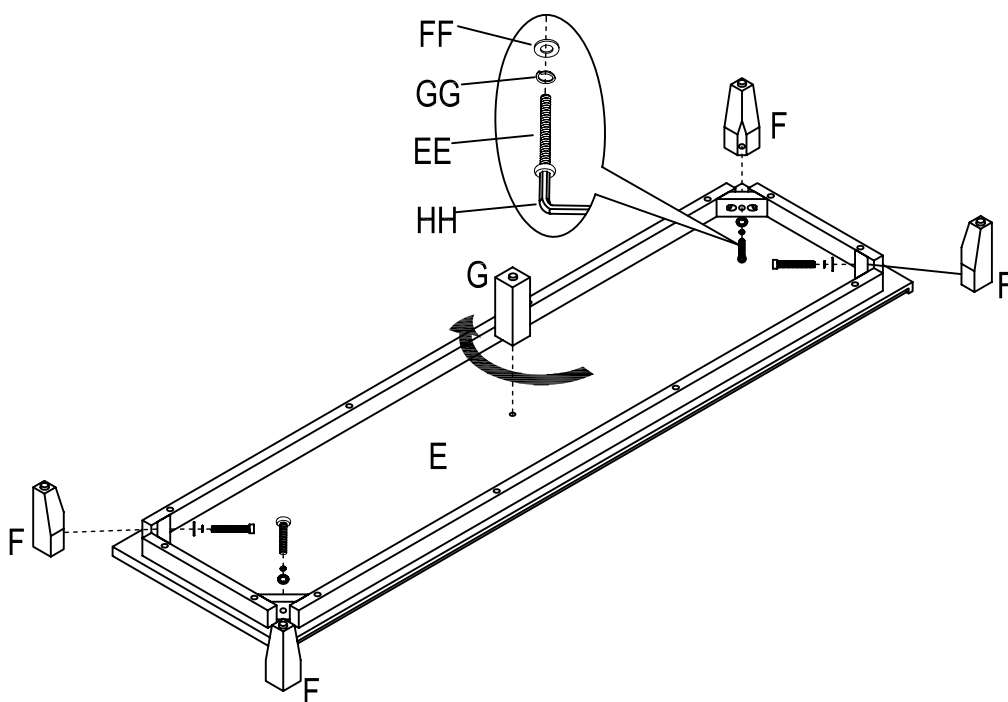


Part	Description	Quantity
A	Top panel	1
B	Side panel	2
C	Partition	1
D	Adjustable shelf	2
E	Bottom panel	1
F	Side foot	4
G	Middle foot	1
H	Left door	2
I	Right door	2
J	Back panel	1

# Assembly

## 1 Attaching the foot to bottom panel

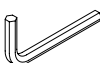
- a) Attach side foot (F) to the panel (E) with washers (FF) and (GG), and bolt (EE). Turn and tighten bolt (EE) with wrench (HH).



- b) Tighten middle foot (G) to the panel (E) as shown.

Bolt                      Washer                      Spring washer                      Wrench

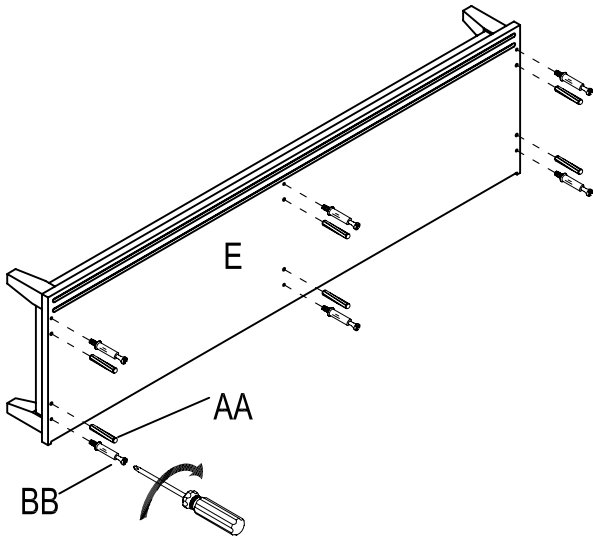
(EE) x 4                      (FF) x 4                      (GG) x 4                      (HH) x 1



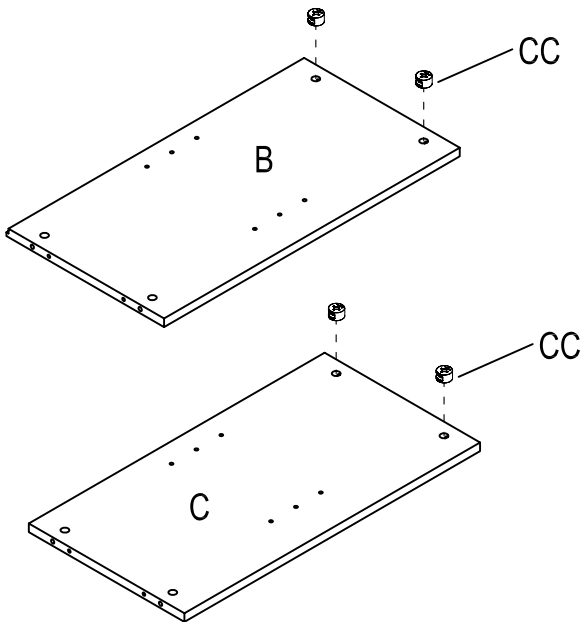
# Assembly (continued)

## 2 Attaching the partition and side panel to bottom panel

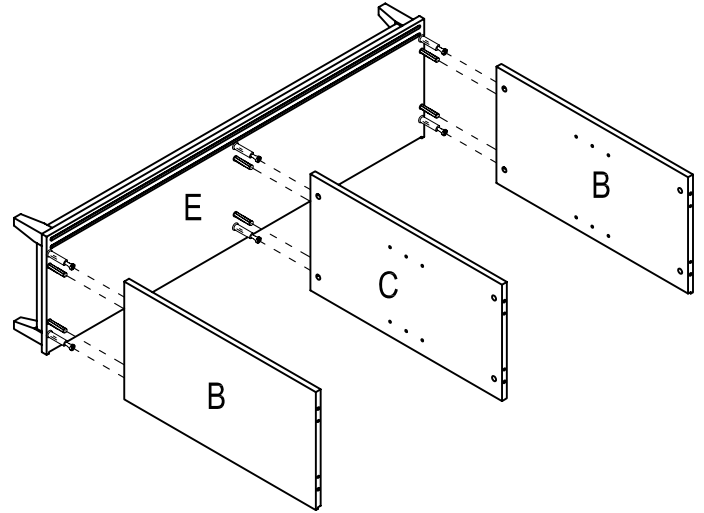
- a) Install dowel (AA) and bolt (BB) into panel (E).



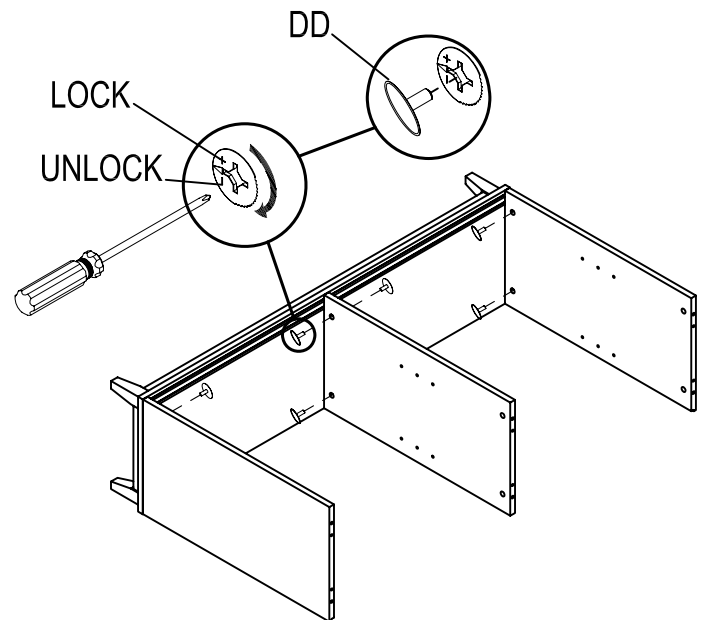
- b) Insert lock (CC) into partition (C) and panel (B).



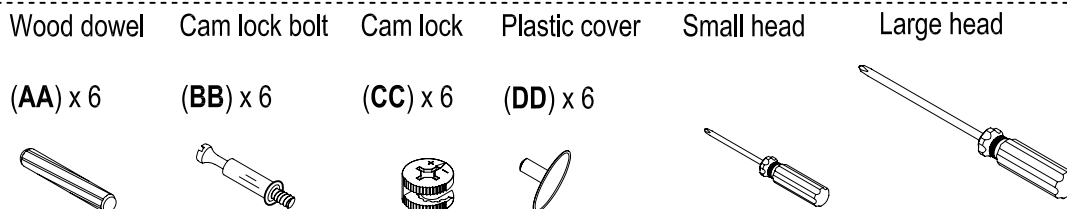
- c) Join partition (C) and panel (B) to the panel (E) with dowel (AA).



- d) Tighten bolt (BB) with lock (CC) in the pre-drilled holes.



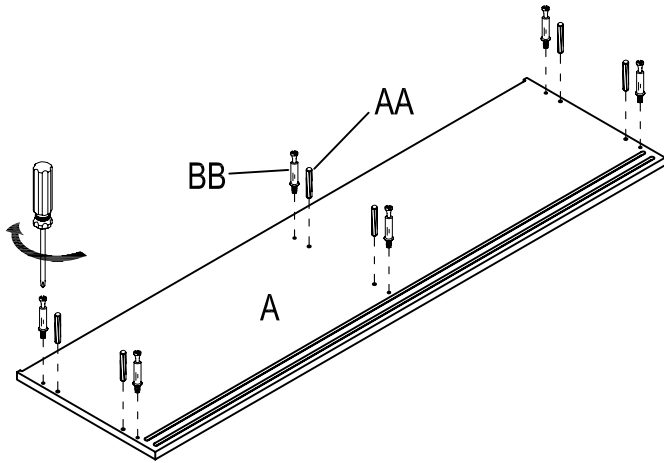
- e) Cover the cam holes with the cover (DD).



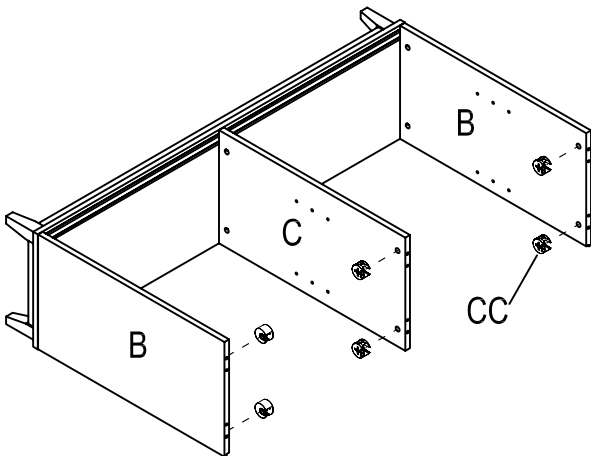
# Assembly (continued)

## 3 Attaching the top panel

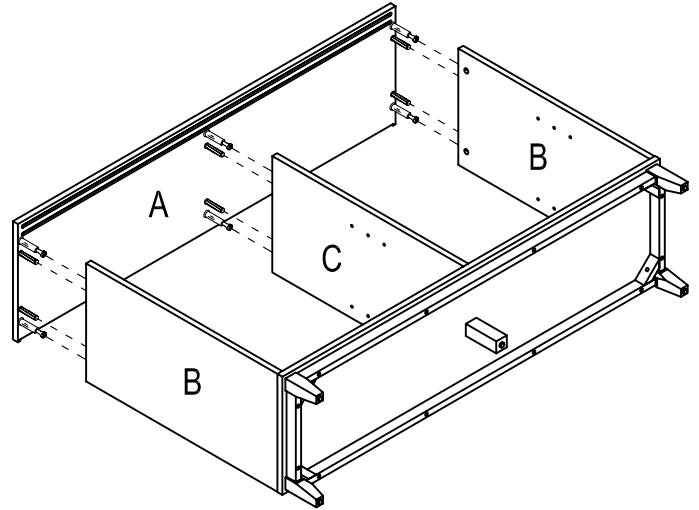
- a) Install dowel (AA) and bolt (BB) into panel (A).



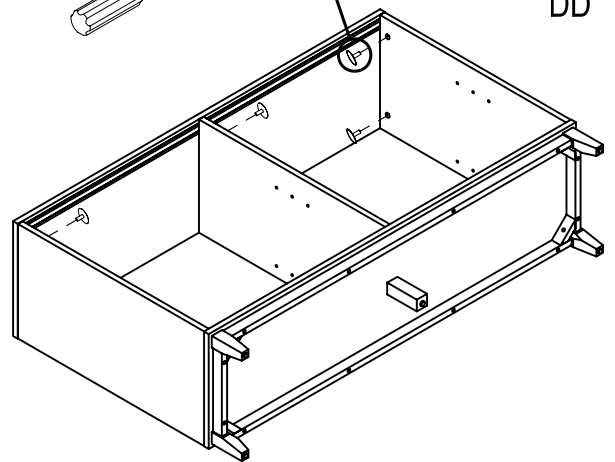
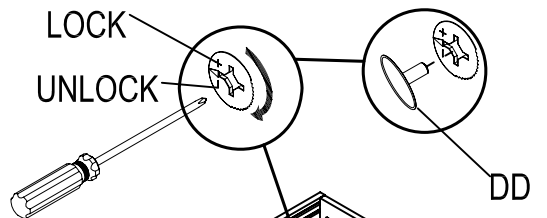
- b) Insert lock (CC) into partition (C) and panel (B).



- c) Join panel (A) to the assembled body with dowel (AA).



- d) Tighten bolt (BB) with lock (CC) in the pre-drilled holes.



- e) Cover the cam holes with the cover (DD).

Wood dowel

Cam lock bolt

Cam lock

Plastic cover

Small head

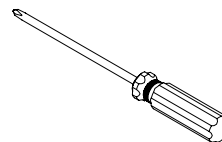
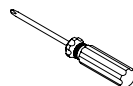
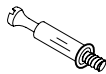
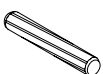
Large head

(AA) x 6

(BB) x 6

(CC) x 6

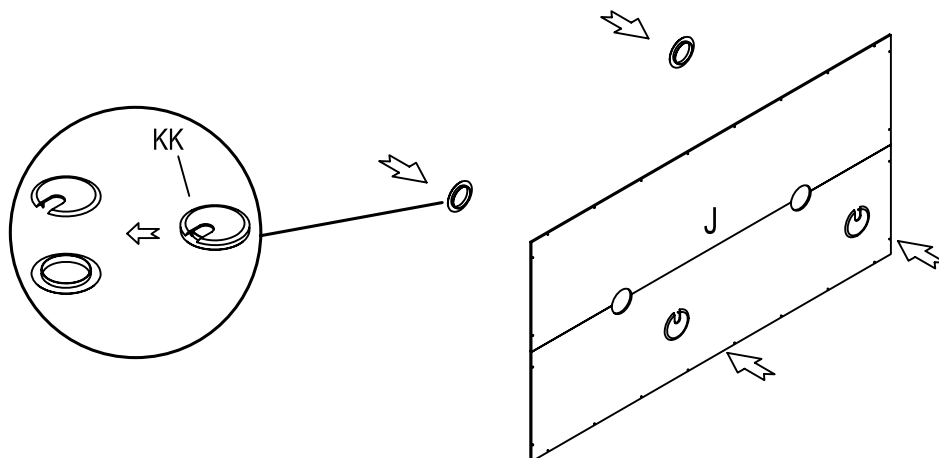
(DD) x 6



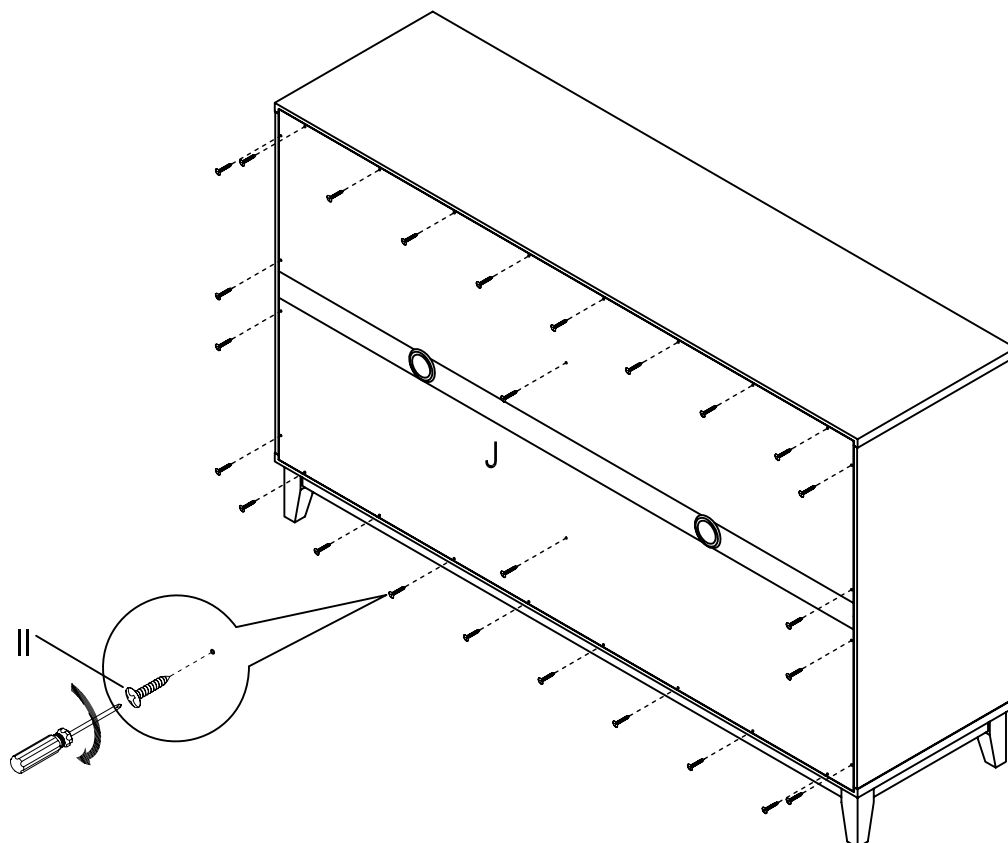
## Assembly (continued)

### 4 Assembling the back panel

- a) Install wire plug (KK) into panel (J) as shown.



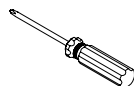
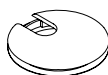
- b) Tighten panel (J) to the assembled body with screws (II) as shown.



5/8 in. Round  
head screw  
(II) x 26

Wire plug  
(KK) x 2

Small head

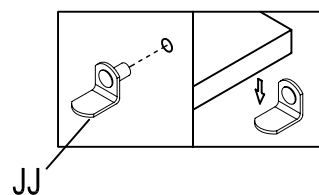
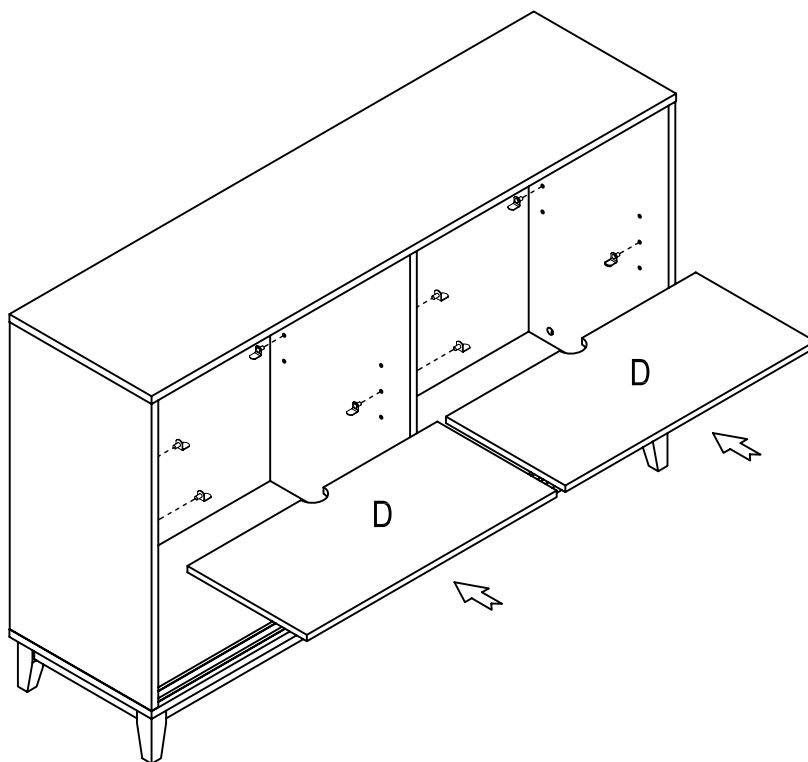




## Assembly (continued)

### 5 Assembling the adjustable shelf

- Insert shelf supports (JJ) in desired positions and place shelf (D) on the supports.



Shelf support

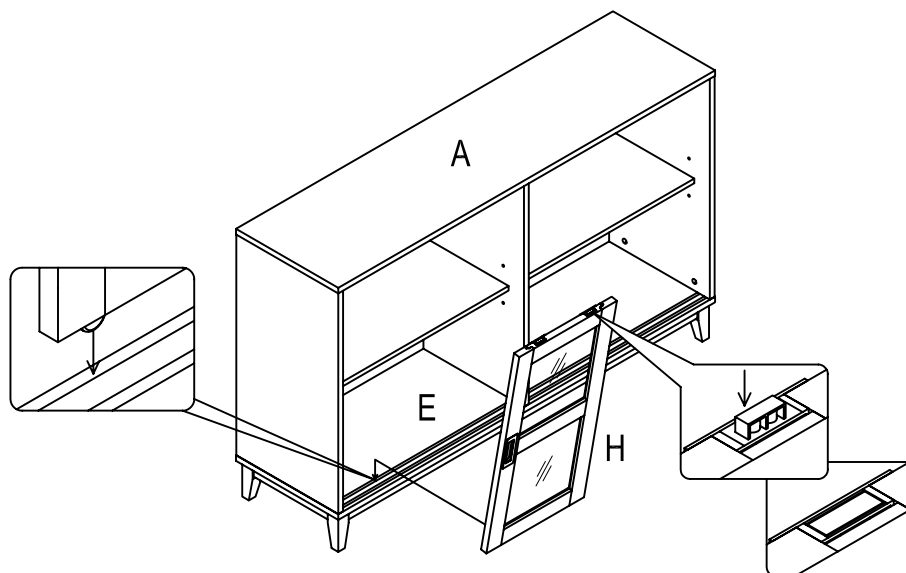
(JJ) x 8



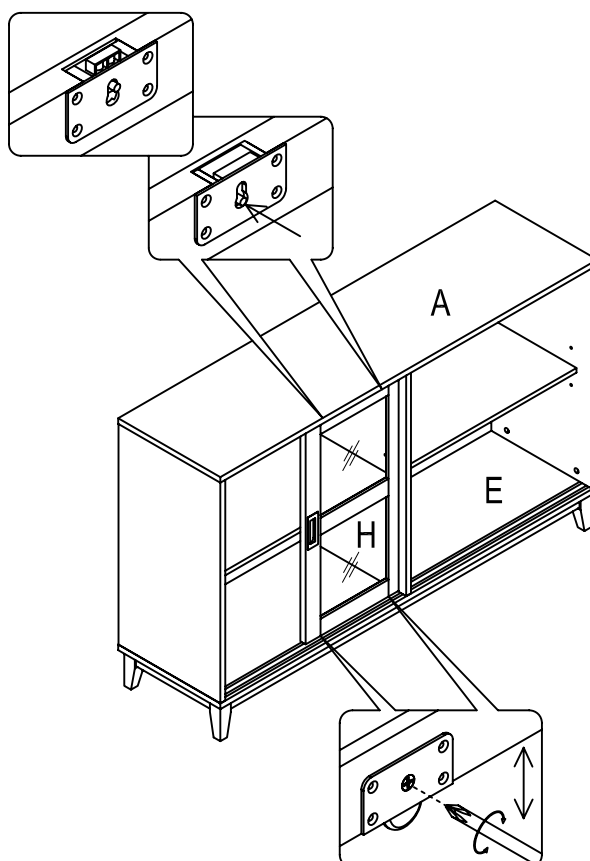
## Assembly (continued)

### 6 Attaching the door

- a) Attach door (H) to the assembled body by inserting wheels on the bottom of door (H) into the inside track on the top of bottom panel (E) as shown, find the pin on top of door (H) pressing the button down to make flat.



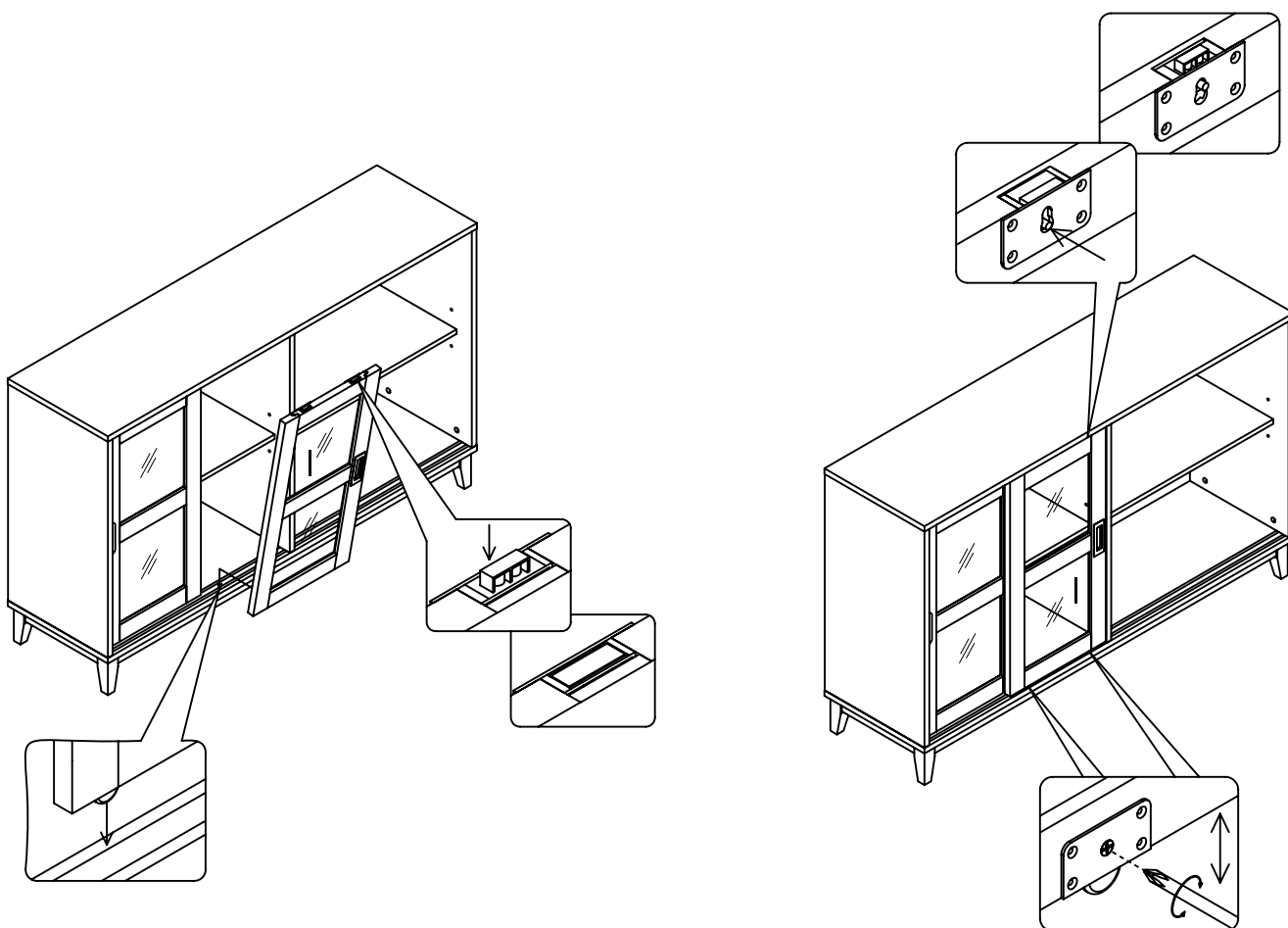
- b) Release the pin into the inside track of the bottom of the top panel (A) as shown, use phillips screwdriver to turn the screw left to adjust the door up or turn the screw right to adjust the door down.



## Assembly (continued)

### 7 Attaching the door

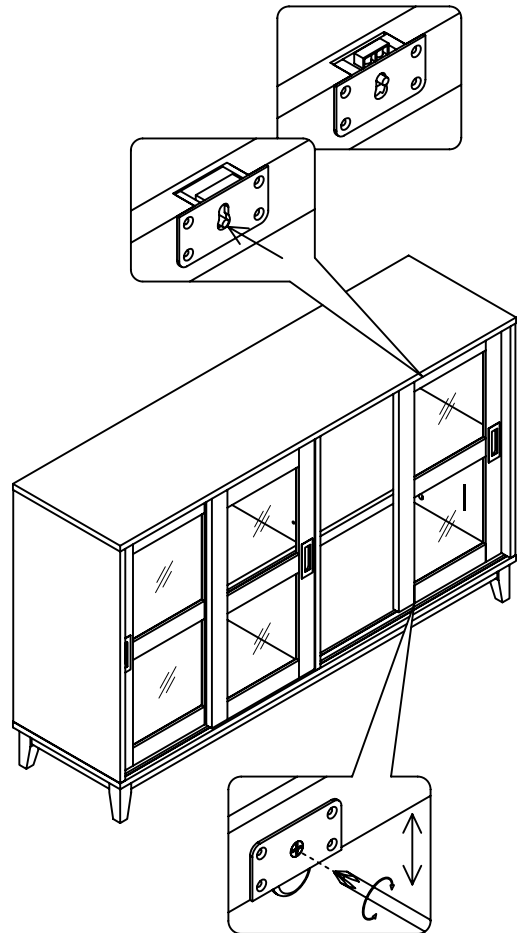
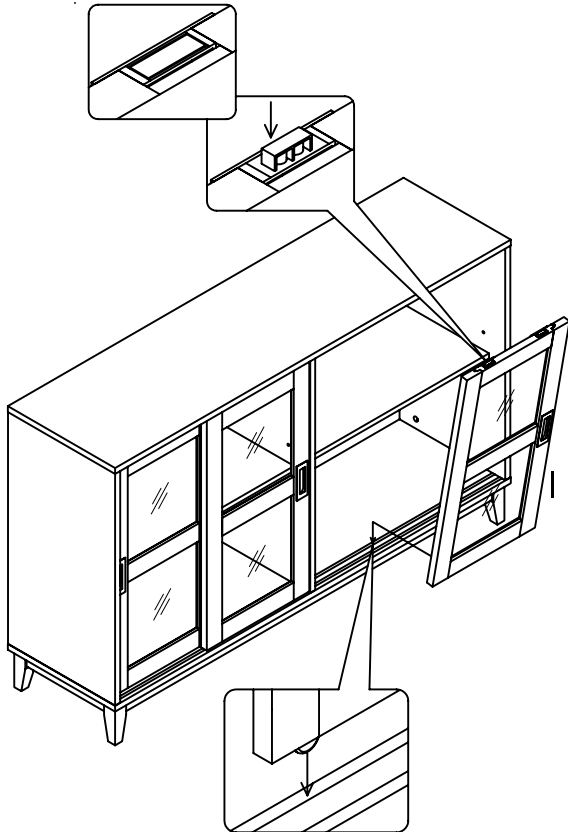
- Attach door (l) to the assembled body by using same methods as in step 6.



## Assembly (continued)

### 8 Attaching the door

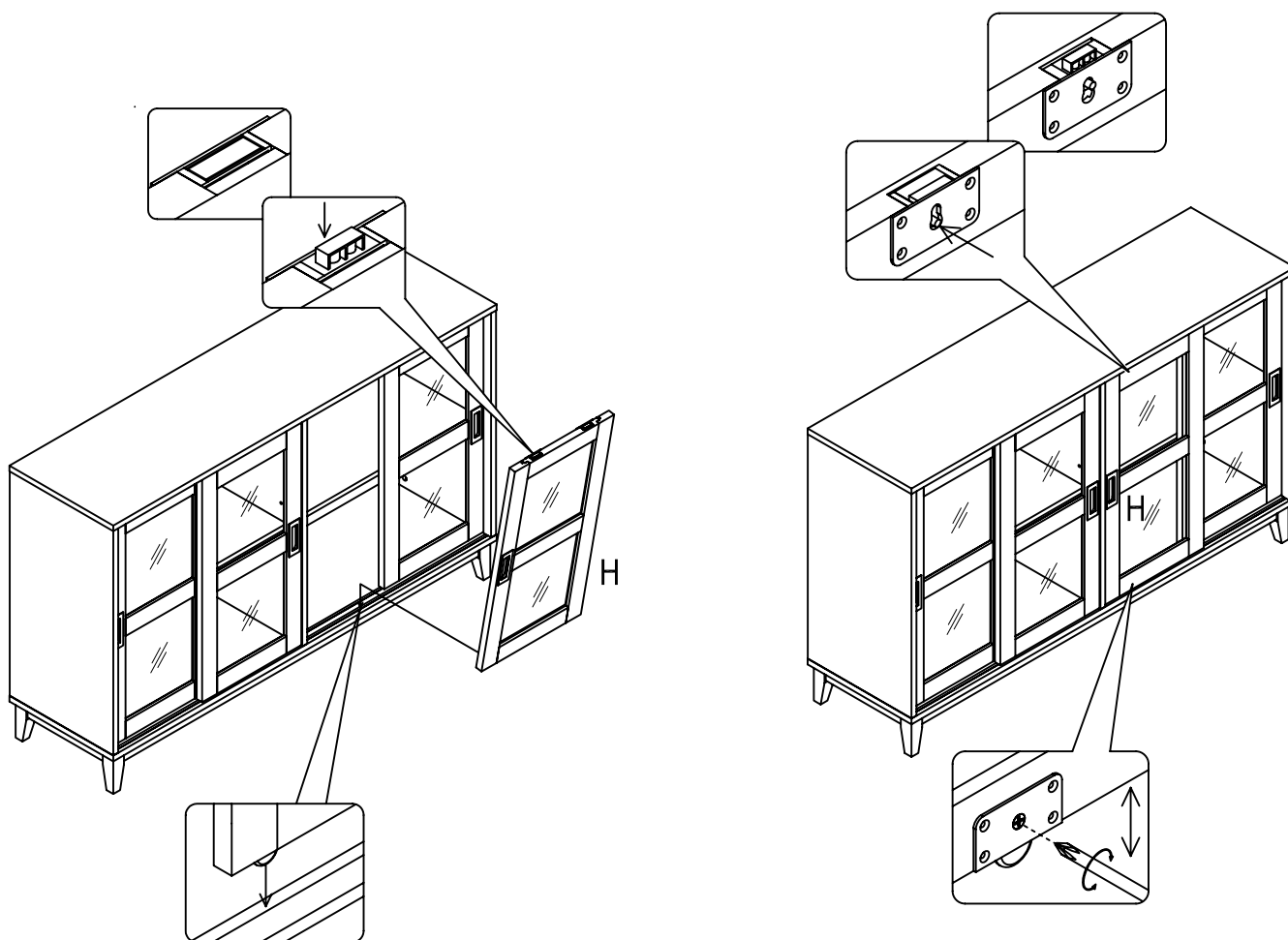
- Attach the other door (l) to the assembled body by using same methods as in step 6.



## Assembly (continued)

### 9 Attaching the door

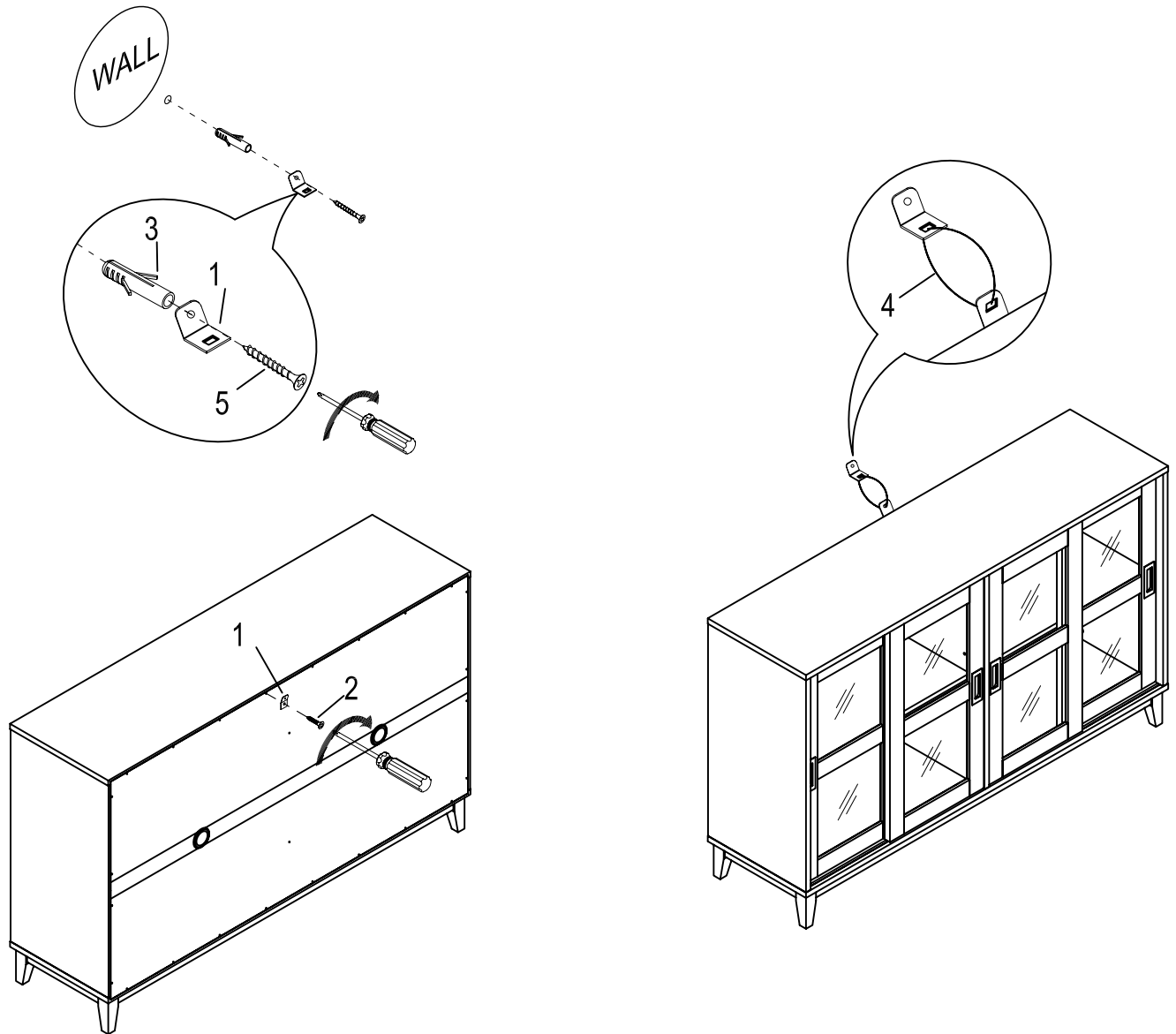
- Attach the other door (H) to the assembled body by using same methods as in step 6.



# Assembly (continued)

## 10 Finalizing the assembly

- Install the anti-tipping hardware as shown.



Rectangle metal plate (1) x 2	1/2 in. Flat head screw (2) x 1	Plastic anchor (3) x 1	Plastic band (4) x 1	1-1/2 in. Flat head screw (5) x 1	Small head

HOME  
DECORATORS  
COLLECTION®

Questions, problems, missing parts?  
Before returning to the store, call Home Decorators Collection Customer Service.  
8 a.m. – 7 p.m., EST, Monday – Friday, 9 a.m. – 6 p.m., EST, Saturday

**1-800-998-7021**

**[HOMEDEPOT.COM/HOMEDECORATORS](https://www.homedepot.com/homedecorators)**

Retain this manual for future use.