

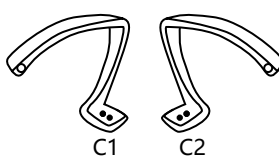
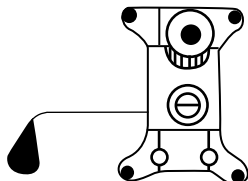
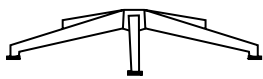
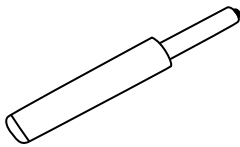
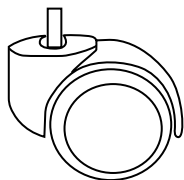




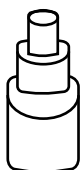
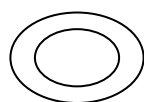
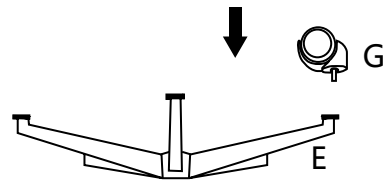


Assembly Instruction

PARTS

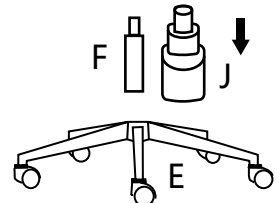
<p>A×1</p> 	<p>B×1</p> 
<p>C×1</p>  <p>C1 C2</p>	<p>D×1</p> 
<p>E×1</p> 	<p>F×1</p> 
<p>G×5</p> 	<p>H×1</p> <p>a  ×4</p> <p>b  ×4</p> <p>c  ×6</p>
<p>I×1</p> 	<p>J×1</p> 
<p>K×12</p> 	

STEP 1



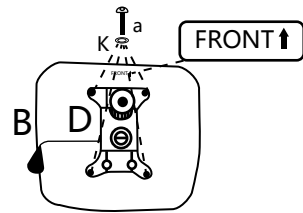
Push the wheels to the base.

STEP 2



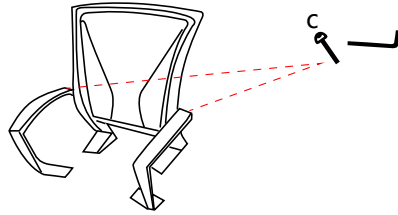
Put the gas lift on the base. Then put the plastic cover.

STEP 3



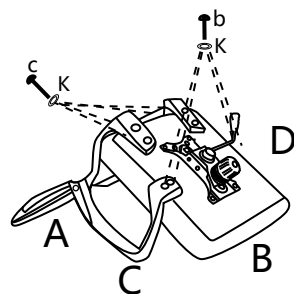
Attach the seat control on the seat cushion. Please notice the direction!

STEP 4




NOTE: Please assemble the armrests and backrest firstly. Don't tighten the screw.

STEP 5



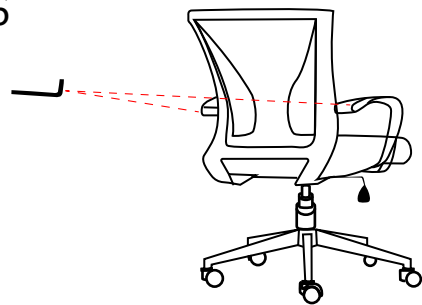
Assemble the armrests and seat cushion.
Assemble the seat cushion and backrest.

STEP 7



Assemble the chair with two whole parts.

STEP 6



Tighten the Semi-loose screws.

Scan the QR code in the lower right corner for the installing video if you have any assembly problem.
Contact us through E-mail: hofficeservice@gmail.com for more information.

