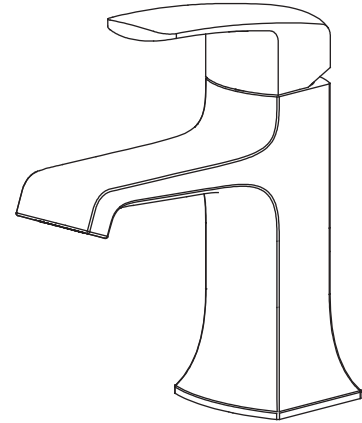


INSTALLATION INSTRUCTIONS

ST9001CH/ST9001MB
Single-lever basin mixer

stufurhome



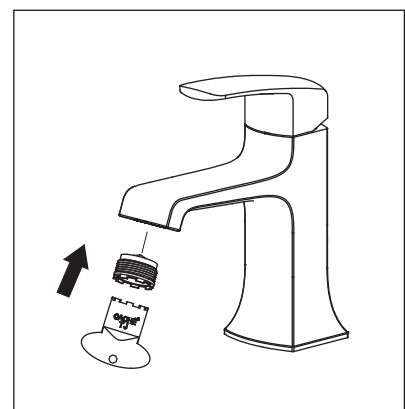
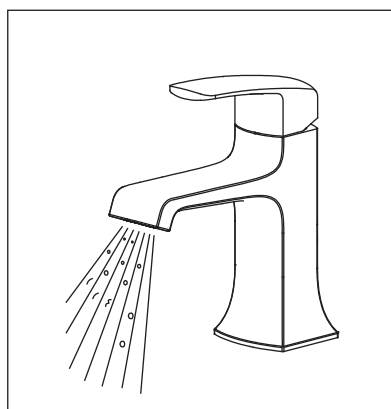
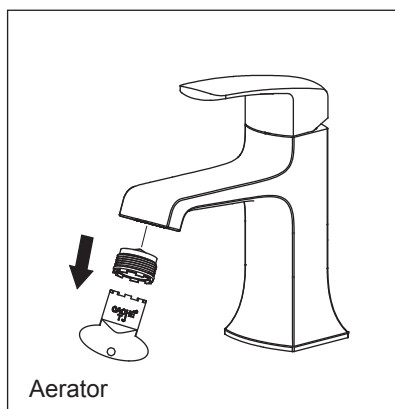
Important

- We recommend that this product is installed by a qualified professional contractor.
- Please check this product immediately to ensure that it has not been damaged and is complete. Before installation, please make sure this product is the correct model and you have all the parts required for installation and using.
- Please flush the water system to ensure that no metal swarf, solder, and other impurities can enter the taps.
- Turn off water supply before commencing work, this should be done at the isolating valves of inlet feeds if fitted or main stopcock.
- Please read these instructions carefully and keep it for future reference.

Cleaning

Before use: Unscrew the Aerator and allow the water to run freely for 5 minutes. Then screw the filter back in place.

Periodically: Unscrew the Aerator and remove. Rinse it with running water until any loose debris is cleared. Then replace the Aerator and tighten.

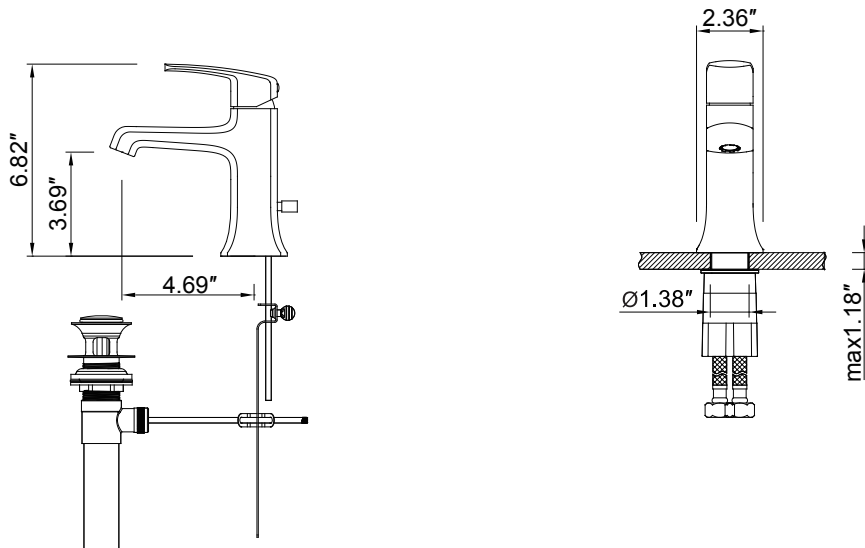


Maintenance

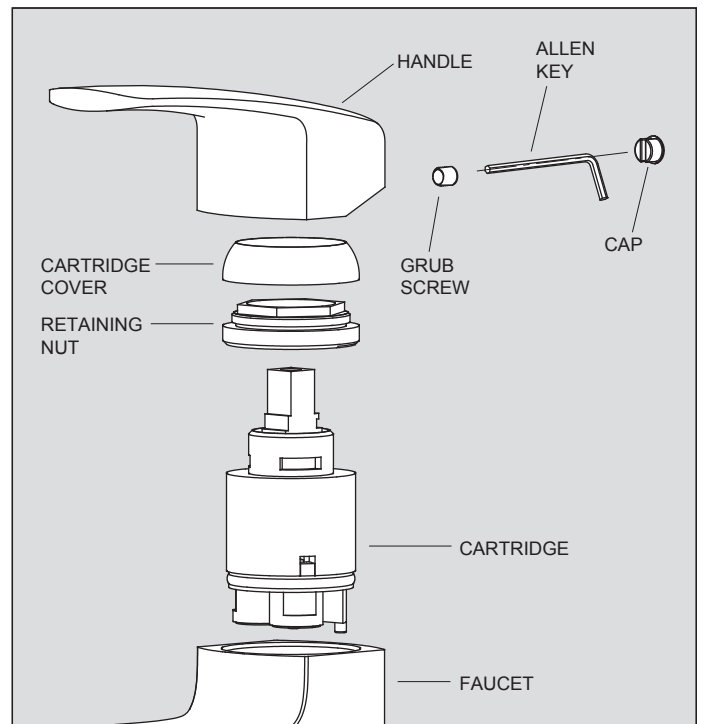
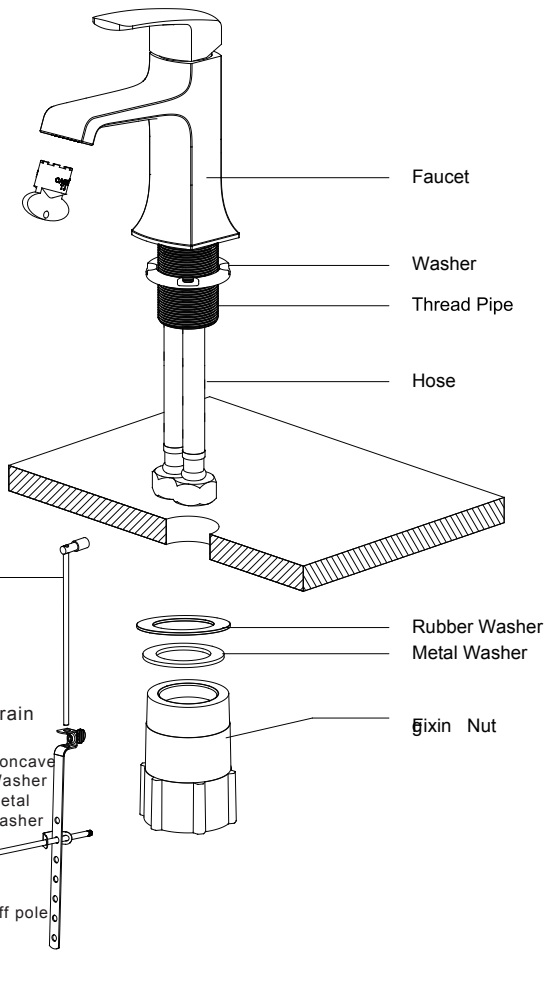
We do NOT recommend you use any household cleaners to clean the product. Because these cleaners change substance or formula too frequently. The product should be always cleaned only with soapy water and rinsed with clean water and dried with a soft cloth.

Dimensions

Unit: inches



Installation



To remove the cartridge.

⚠ First shut off the water supply to the tap.

- 1: Pull out the cap from the handle.
- 2: Loosen the grub screw in handle, but do not remove it.
- 3: Take off the handle, unscrew the cartridge cover.
- 4: Using a correct size spanner unscrew the retaining nut.
- 5: Pull the cartridge and wash it with clean running water.
- 6: Dry and lightly grease the seals (only use silicone grease)
- 7: Replace them in turn.

- 1: Twist hose into the mixer body .Put washer into the groove of faucet body.
- 2: Pass hose and thread pipe through the table hole. And twist the fixing nut to the thread pipe. Adjust the mixer body and fix firmly.
- 3: Insert the lift pole through the hole at the back of the faucet body.
- 4: Insert the drain through the hole of the basin.attach concave washer, metal washer , and mounting nut to drain .Tighten the drain securely.Insert shortest end of drain-off pole into drain body . Place the end side of the lift pole through the drain-off pole and then tighten the screw.