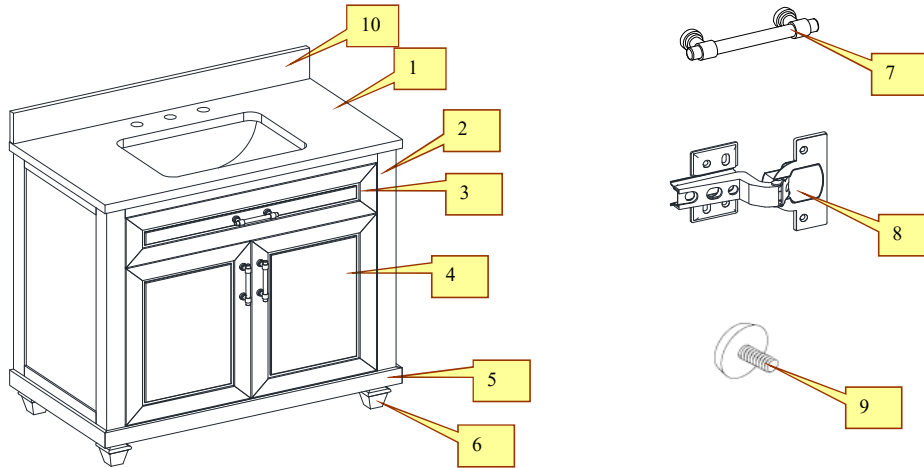


DATE	9/18/2019		
ITEM #		VENDOR MODEL #	HDC36DGV
DESCRIPTION			
VENDOR			
FACTORY NAME			
FACTORY ADDRESS			
TOTAL GROSS WEIGHT OF SELL UNIT (WITH PACKAGING)	73 kgs	(WITHOUT PACKAGING)	61.5 kgs

Move arrows to each part and complete the corresponding numbers below. (The tips of the arrows can be lengthened by clicking on the tip of the arrow and dragging it). If you are using more than 10 arrows, cut and paste additional corresponding numbers.



1	PART / QTY	Top / 1ea	COUNTRY OF ORIGIN	Vietnam
	GRADE/GAUGE		RAW MATERIAL	Engineering White Stone
	COLOR/ FINISH	White	DIMENSIONS/SIZE	914mmW x 508mmD x 28mmH
2	PART / QTY	Side panel / 2ea	COUNTRY OF ORIGIN	Vietnam
	GRADE/GAUGE		RAW MATERIAL	Pine solid wood+PB/MDF with brich veneer
	COLOR/ FINISH	Gray	DIMENSIONS/SIZE	763mmWx 496mmD x 57mmH
3	PART / QTY	Tip out dawner / 1ea	COUNTRY OF ORIGIN	Vietnam
	GRADE/GAUGE		RAW MATERIAL	Pine solid wood+MDF with brich veneer
	COLOR/ FINISH	Gray	DIMENSIONS/SIZE	770mmW x 155mmD x 160mmH
4	PART / QTY	Door / 2ea	COUNTRY OF ORIGIN	Vietnam
	GRADE/GAUGE		RAW MATERIAL	Pine solid wood+MDF with brich veneer
	COLOR/ FINISH	Gray	DIMENSIONS/SIZE	509mmW x 383mmD x 18mmH
5	PART / QTY	Bottom panel / 1ea	COUNTRY OF ORIGIN	Vietnam
	GRADE/GAUGE		RAW MATERIAL	PB/MDF with brich veneer
	COLOR/ FINISH	Gray	DIMENSIONS/SIZE	848mmW x 508mmD x 50mmH
6	PART / QTY	Vanity feet / 4ea	COUNTRY OF ORIGIN	Vietnam
	GRADE/GAUGE		RAW MATERIAL	Pine solid wood
	COLOR/ FINISH	Gray	DIMENSIONS/SIZE	70mmW x 70mmD x 85mmH
7	PART / QTY	Handle / 3ea	COUNTRY OF ORIGIN	Vietnam
	GRADE/GAUGE		RAW MATERIAL	Metal
	COLOR/ FINISH		DIMENSIONS/SIZE	
8	PART / QTY	Slow close europe hinge / 6ea	COUNTRY OF ORIGIN	Vietnam
	GRADE/GAUGE		RAW MATERIAL	Metal
	COLOR/ FINISH		DIMENSIONS/SIZE	
9	PART / QTY	Leveling foot / 4ea	COUNTRY OF ORIGIN	Vietnam
	GRADE/GAUGE		RAW MATERIAL	
	COLOR/ FINISH		DIMENSIONS/SIZE	
10	PART / QTY	Backsplash / 1ea	COUNTRY OF ORIGIN	Vietnam
	GRADE/GAUGE		RAW MATERIAL	Engineering White Stone
	COLOR/ FINISH	White	DIMENSIONS/SIZE	910mmW x 100mmD x 18mmH

SPECIAL TEST REQUIREMENTS (ON EXISTING TESTS):

--