

# Dyna-Glo®

## 2-BURNER LP GAS GRILL WITH SIDE BURNER

Model #DGF350CSP/DGF350CSP-D

Français p. 31

Español p. 61



**ATTACH YOUR RECEIPT HERE**

Serial Number \_\_\_\_\_ Purchase Date \_\_\_\_\_



**Questions, problems, missing parts?** Before returning to your retailer, call our customer service department at 1-877-447-4768, 8:30 a.m. – 4:30 p.m., CST, Monday – Friday or e-mail us at [customerservice@ghpgroupinc.com](mailto:customerservice@ghpgroupinc.com).

## TABLE OF CONTENTS

Safety Information .....	3
Package Contents .....	5
Hardware Contents .....	6
Preparation .....	6
Assembly Instructions .....	7
Operation Instructions .....	18
Care and Maintenance .....	23
Troubleshooting .....	26
Warranty .....	28
Replacement Parts List .....	29

Assembler/Installer: This manual contains important information necessary for the proper assembly and safe use of this appliance. Read and follow all warnings and instructions before assembling and using this appliance. **Leave these instructions with the consumer.**

Consumer/User: Follow all warnings and instructions when using this appliance.  
**Retain these instructions for future reference.**

### **DANGER**

**If you smell gas:**

- 1. Shut off gas to the appliance.**
- 2. Extinguish any open flame.**
- 3. Open lid.**
- 4. If odor continues, keep away from the appliance and immediately call your local fire department.**

### **WARNING**

- 1. Do not store or use gasoline or other flammable liquids or vapors in the vicinity of this or any other appliance.**
- 2. An LP (liquid propane) cylinder not connected for use shall not be stored in the vicinity of this or any other appliance.**
- 3. This grill is for outdoor use only and shall not be used in a building, garage, under overhangs or any other enclosed area.**
- 4. Do not leave a lit grill unattended. Keep children and pets away from the grill at all times.**

## SAFETY INFORMATION

Please read and understand this entire manual before attempting to assemble, operate or install the product. If you have any questions regarding the product, please call customer service at: 1-877-447-4768, 8:30 a.m. – 4:30 p.m., CST, Monday – Friday.

### DANGER

- Do not use in an explosive atmosphere. Keep grill area clear and free from combustible materials, gasoline and other flammable vapors and liquids.



**WARNING: FUELS USED IN LIQUEFIED PROPANE GAS APPLIANCES, AND THE PRODUCTS OF COMBUSTION OF SUCH FUELS, CAN EXPOSE YOU TO CHEMICALS INCLUDING BENZENE, WHICH IS KNOWN TO THE STATE OF CALIFORNIA TO CAUSE CANCER AND CAUSE BIRTH DEFECTS OR OTHER REPRODUCTIVE HARM. For more information go to: [www.P65Warnings.ca.gov](http://www.P65Warnings.ca.gov).**

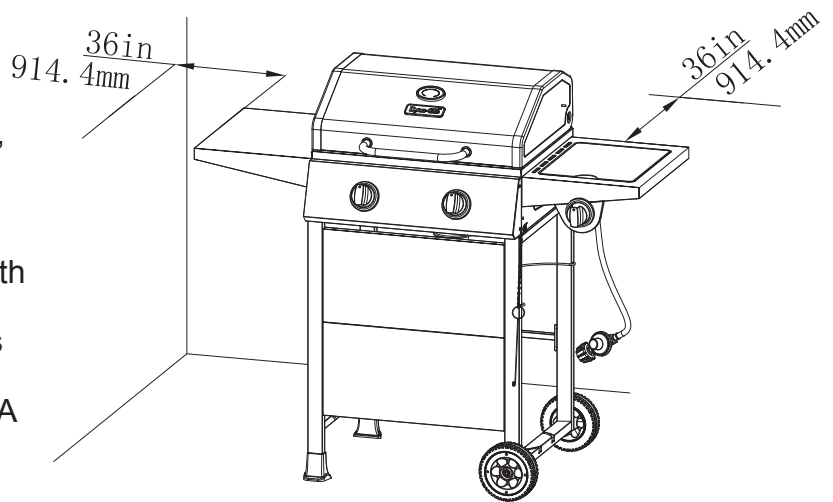
### CAUTION

- Never use charcoal or lighter fluid with the grill.
- Do not use gasoline, kerosene or alcohol for lighting.
- The LP gas cylinder used with this appliance must be:
  - (a) Constructed and marked in accordance with the Specifications for LP-Gas Cylinders of the U.S. Department of Transportation (D.O.T.) or the National Standard of Canada, CAN/CSA-B339, Cylinders, Spheres and Tubes for Transportation of Dangerous Goods; and Commission, as applicable; and
  - (b) Provided with a listed overfilling prevention device.
  - (c) Provided with a cylinder connection device compatible with the connector for outdoor cooking appliances. This grill is not intended to be used in or installed on recreational vehicles and/or boats.
- Never keep a filled container in a hot car or car trunk. Heat will cause the gas pressure to increase, which may open the relief valve and allow gas to escape.
- Always open grill lid slowly and carefully as heat and steam trapped within the grill can burn you severely.

## **! WARNING**

- Do not place the grill under overhead combustible construction or awnings. Minimum clearance from sides and back of unit to combustible construction, 36 inches (914.4mm) from sides and back.

NOTE: The installation must conform with local codes or, in the absence of local codes, with either the National Fuel Gas Code, ANSI Z223.1/NFPA 54, Natural Gas and Propane Installation Code, CSA B149.1, or Propane Storage and Handling Code, B149.2.

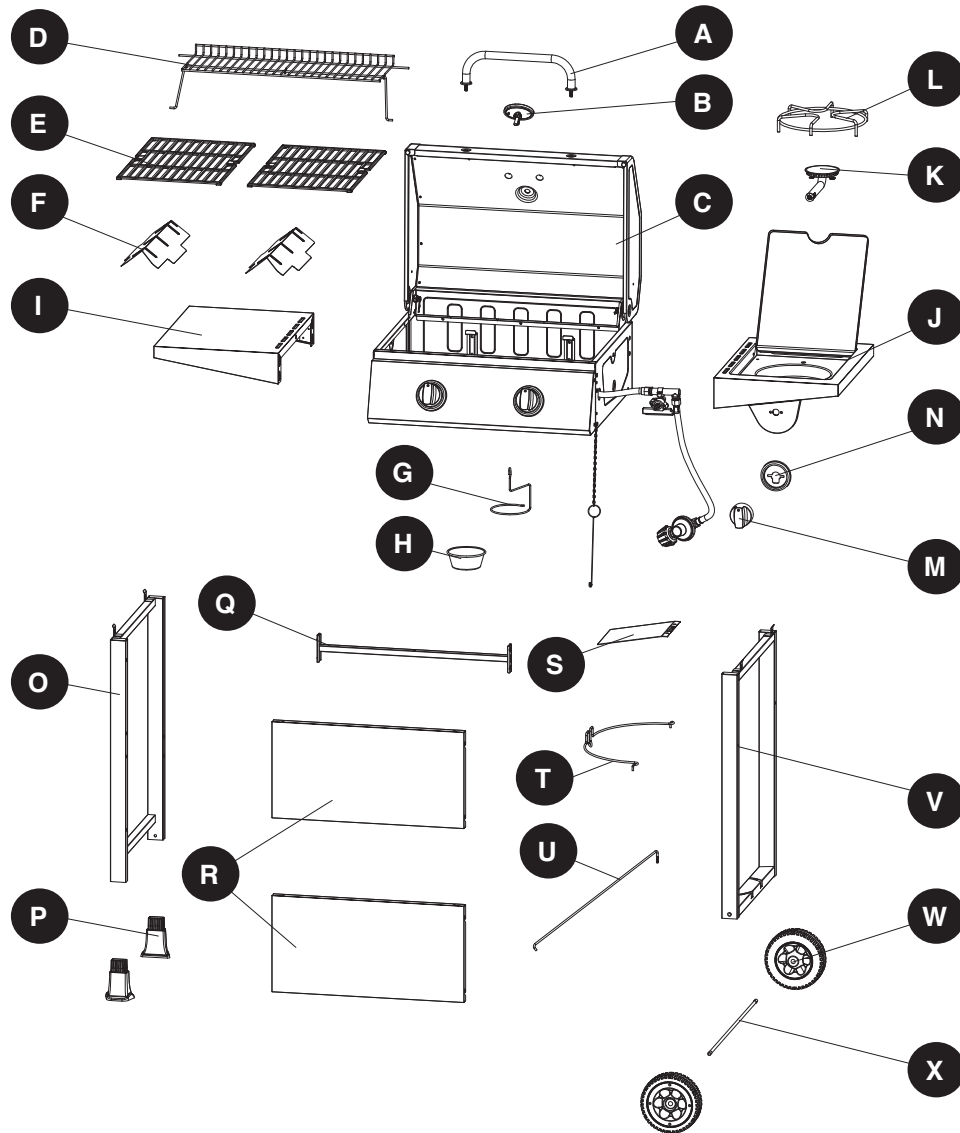


## **! CAUTION**

- Do not store or use gasoline or other flammable liquids or vapors in the vicinity of this or any other appliance.
- An LP cylinder not connected for use shall not be stored in the vicinity of this or any other appliance.
- This grill is for use with propane gas only (propane cylinder not included).
- Never attempt to attach this grill to the self-contained propane system of a boat, camper trailer, motor home or house.
- Do not attempt to move the grill while it is lit or when it is hot. The casters should be locked when not moving the grill.
- Do not use the grill unless it is completely assembled and all parts are securely fastened and tightened.
- Keep all combustible items and surfaces at least 36 inches (91.44 cm) away from the grill at all times.
- Do not touch metal parts of grill until it has completely cooled (about 45 minutes) to avoid burns, unless you are wearing protective gear (pot holders, gloves, BBQ mittens, etc...).
- Do not alter this grill in any manner.
- Clean and inspect the hose before each use. If there is evidence of abrasion, wear, cuts, or leaks, the hose must be replaced prior to operating the appliance. The replacement hose assembly will be that which is specified by the manufacturer.
- Move gas hoses as far away as possible from hot surfaces and dripping hot grease.
- Keep the grill's valve compartment, burners and circulating air passages clean. Inspect the grill before each use. Do not obstruct the flow of gas or ventilation air.
- The use of alcohol, prescription or non-prescription drugs may impair the operator's ability to properly assemble or safely operate the grill.
- **Do not leave a lit grill unattended. Keep children and pets away from the grill at all times.**
- Do not place this grill on any type of tabletop surface. The grill should be placed on a flat and level surface.
- Do not use the grill in high winds.



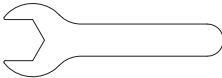









# PACKAGE CONTENTS



PART	DESCRIPTION	QTY	PART	DESCRIPTION	QTY
A	Hood Handle	1	M	Control Knob	1
B	Temp Gauge	1	N	Control Knob Bezel	1
C	Grill Body Assembly	1	O	Left Leg Assembly	1
D	Warming Rack	1	P	Leg End Cap	2
E	Cooking Grate	2	Q	Cart Rear Support	1
F	Heat Tent	2	R	Cart Front Panel	2
G	Grease Cup Support	1	S	LP Gas Tank Heat Shield	1
H	Grease Cup	1	T	LP Gas Tank Retainer Wire	1
I	Left Side Table Assembly	1	U	Cylinder Block Bar	1
J	Right Side Burner Body Assembly	1	V	Right Leg Assembly	1
K	Side Burner	1	W	Wheel	2
L	Side Burner Rack	1	X	Axle	1

## HARDWARE CONTENTS

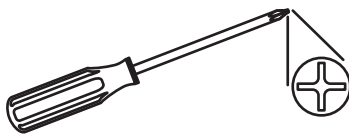
<b>AA</b>	<b>BB</b>	<b>CC</b>	<b>DD</b>	<b>EE</b>
				
ST4.8x10 Screw	M8 Nut	M8 Wrench	M5x14 Bolt	M5 Wingnut
Qty. 2	Qty. 2	Qty. 2	Qty. 14	Qty. 1
<b>FF</b>	<b>GG</b>	<b>HH</b>	<b>II</b>	<b>JJ</b>
				
M6 Wingnut	M6 Spring Washer	M6 Washer	M6x16 Bolt	M4x10 Bolt
Qty. 2	Qty. 2	Qty. 2	Qty. 14	Qty. 4

## PREPARATION

Before beginning assembly of product, make sure all parts are present. Compare parts with package contents list on previous page and hardware contents above. If any part is missing or damaged, do not attempt to assemble the product. Contact customer service for replacement parts.

**Estimated Assembly Time:** 50 minutes with 2 people.

**Tools Required for Assembly and Leak Testing (not included):** Phillips screwdriver, Spray bottle, Plier, Adjustable Wrench



## ⚠ CAUTION

**THIS UNIT IS HEAVY. Two people required for safe assembly.**

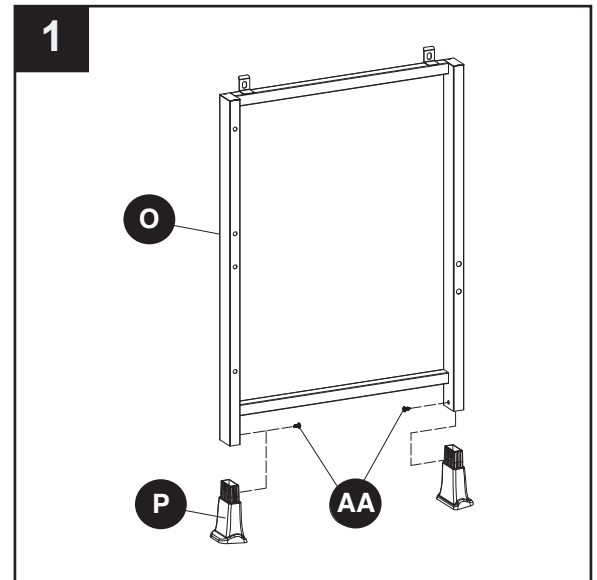
Two people required for safe assembly. Some parts may contain sharp edges. Wear protective gloves if necessary. Read and follow all safety statements, warnings, assembly instructions and use and care instructions before attempting to assemble and use.

## ASSEMBLY INSTRUCTIONS

1. Put two leg end caps (P) under left leg assembly (O), and fasten them with two ST4.8X10 screws (AA).

### Hardware Used

**AA** ST4.8x10 Screw  x 2

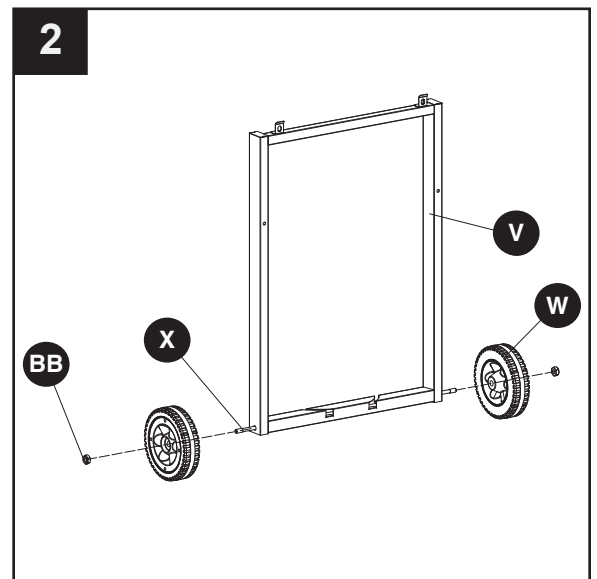


2. Slide the axle (X) through the right leg assembly (V) and then put the wheels (W) on both sides, and tighten the wheels with M8 nuts (BB) with M8 wrenches (CC). Please note, this step requires two people to complete, and if necessary any other plier or adjustable wrench can be used for assembly.

### Hardware Used

**BB** M8 Nut  x 2

**CC** M8 Wrench  x 2

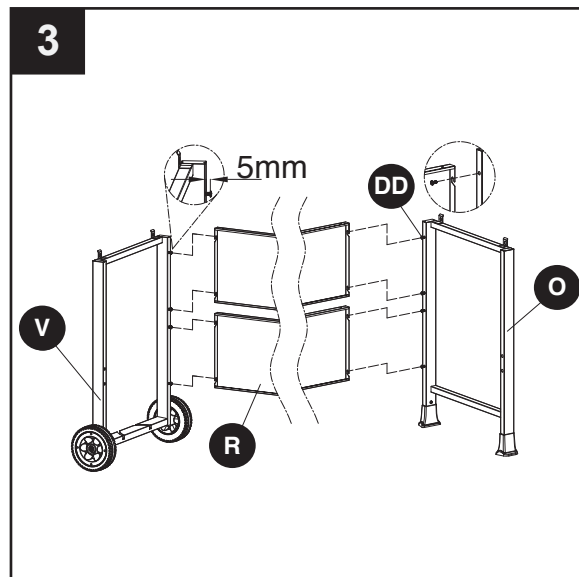


## ASSEMBLY INSTRUCTIONS

3. Assemble eight M5x14 bolts (DD) onto the left leg assembly (O) and right leg assembly (V), do not tighten and make sure to leave a 5mm gap between the bolt and leg. Hang one of the cart front panel (R) on the lower, hang the other cart front panel (R) on the upper, then tighten all bolts.

### Hardware Used

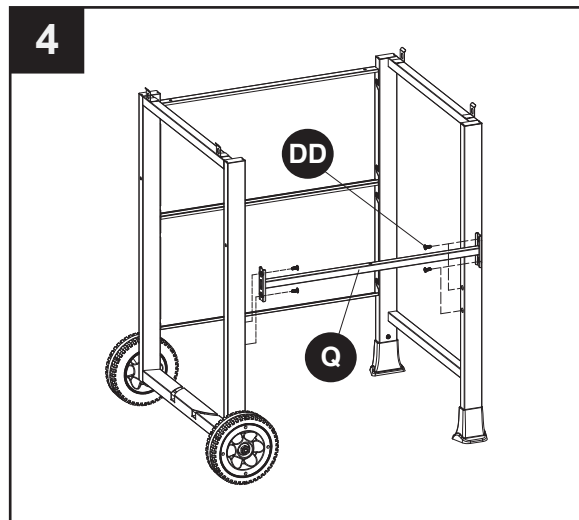
**DD** M5x14 Bolt  x 8



4. Use four M5x14 bolts (DD) to fasten the cart rear support (Q) to the left and right leg assembly.

### Hardware Used


**DD** M5x14 Bolt  x 4

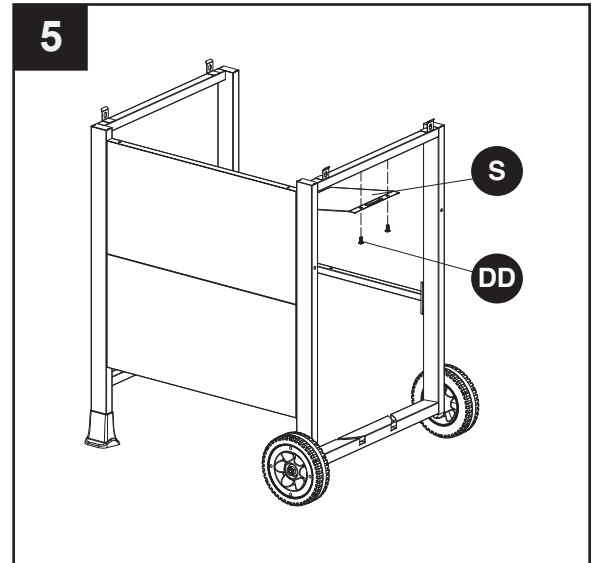


## ASSEMBLY INSTRUCTIONS

5. Use two M5x14 bolts (DD) to fasten the LP gas tank heat shield (S) to right leg assembly.

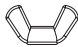
### Hardware Used

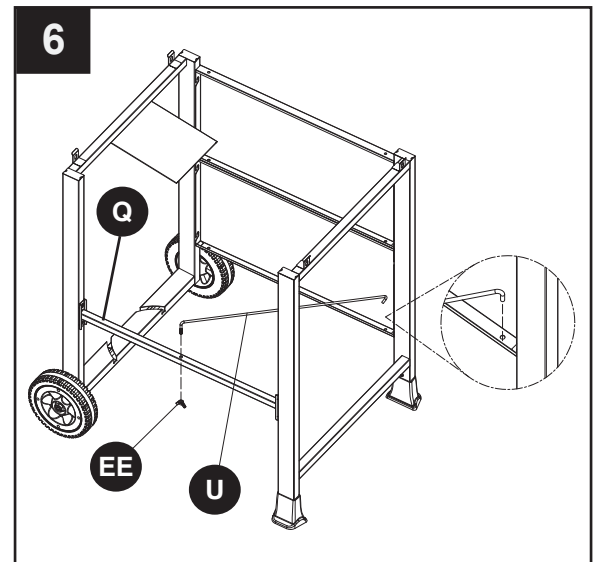
**DD** M5x14 Bolt  x 2



6. Insert one end of the cylinder block bar (U) into the hole of the cart front panel in bottom, insert the other end with thread of the cylinder block bar into the cart rear brace support (Q). Use one M5 wingnut (EE) to fasten the cylinder block bar (U) onto the cart rear brace support (Q).

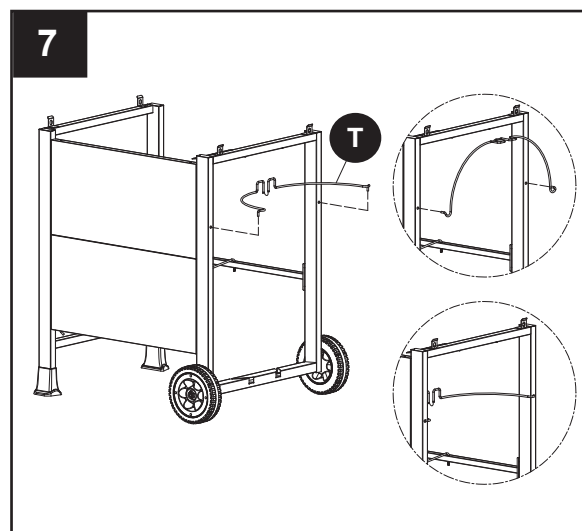
### Hardware Used

**EE** M5 Wingnut  x 1



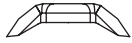
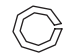

## ASSEMBLY INSTRUCTIONS

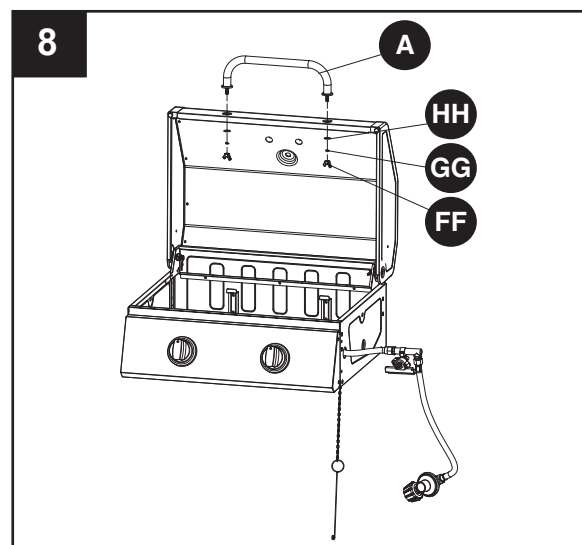
7. Attach the LP gas tank retainer wire (T) to right leg assembly.



8. Assemble the hood handle (A) to the hood with two M6 wingnuts (FF) and two M6 spring washers (GG) and two M6 washers (HH).

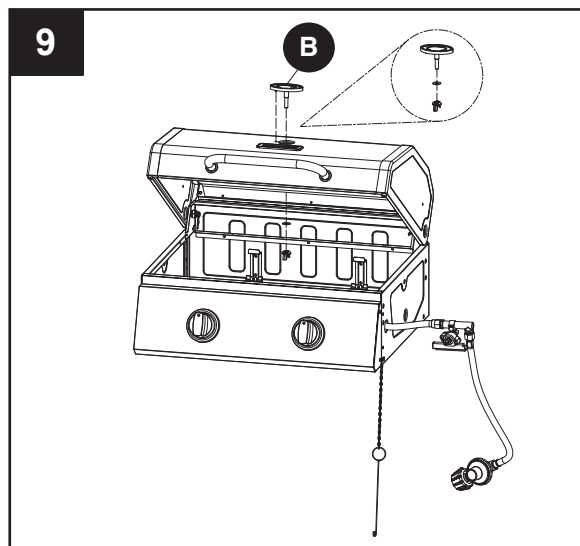
### Hardware Used

<b>FF</b>	M6 Wingnut		x 2
<b>GG</b>	M6 Spring Washer		x 2
<b>HH</b>	M6 Washer		x 2



## ASSEMBLY INSTRUCTIONS

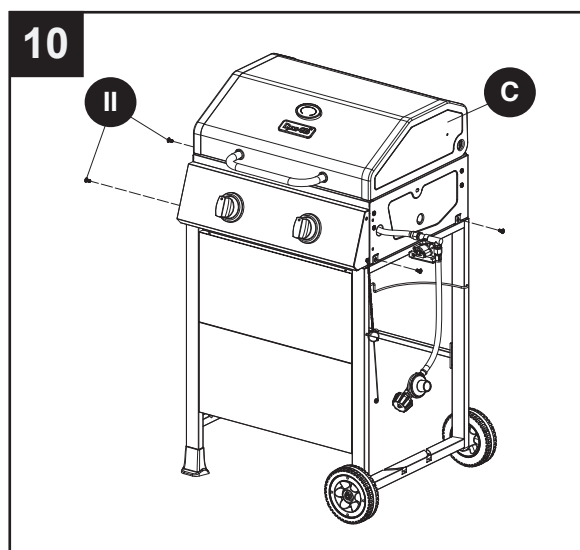
9. Assemble the temp gauge (B) onto the hood. Please use the washer and wing nut pre-assembled with temp gauge to install the temp gauge (B) onto the hood.



10. Assemble the grill body assembly (C) onto the cart assembly with four M6x16 bolts (II). Please note this step needs two people to uplift the grill body assembly.

### Hardware Used

II M6x16 Bolt  x 4



## ASSEMBLY INSTRUCTIONS

11. Assemble four M6x16 bolts (II) onto the grill body assembly (C) and do not tighten them and make sure to leave a 5mm gap between the bolt and grill body's end cap. Then hang the left side table assembly (I) on the bolts and fasten the left side table assembly (I) with one M6x16 bolt (II) and tighten all bolts.

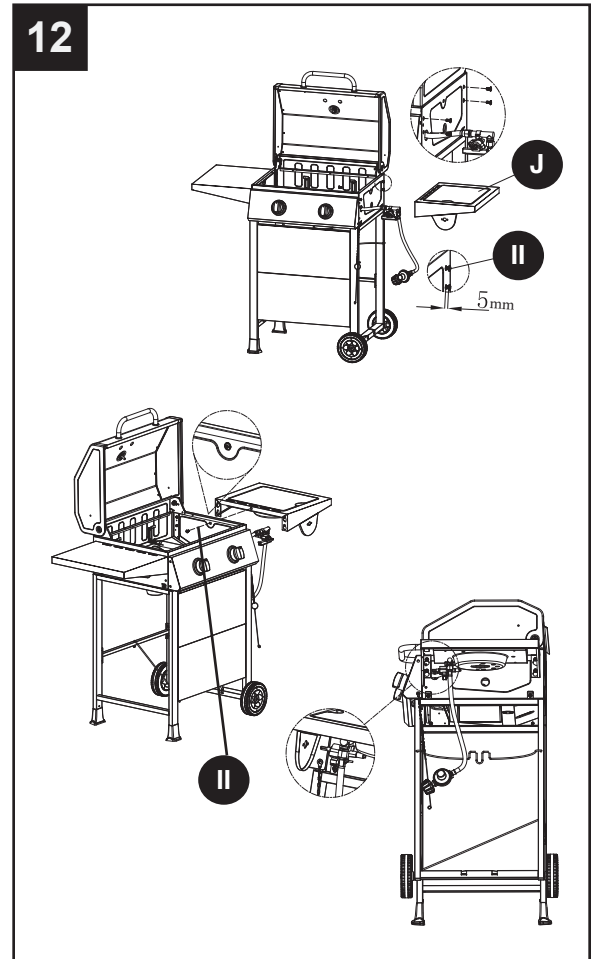
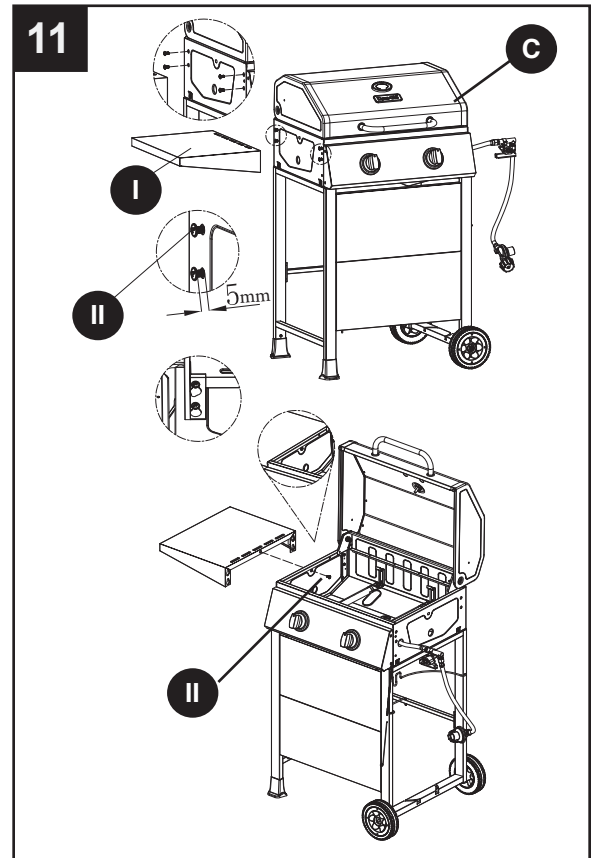
### Hardware Used

II M6x16 Bolt  x 5

12. Assemble four M6x16 bolts (II) onto the grill body assembly (C) and do not tighten them and make sure to leave a 5mm gap between the bolt and grill body's end cap. Then hang the right side burner body assembly (J) on the bolts and fasten the right side burner body assembly (J) with one M6x16 bolt (II) and tighten all bolts.

### Hardware Used

II M6x16 Bolt  x 5



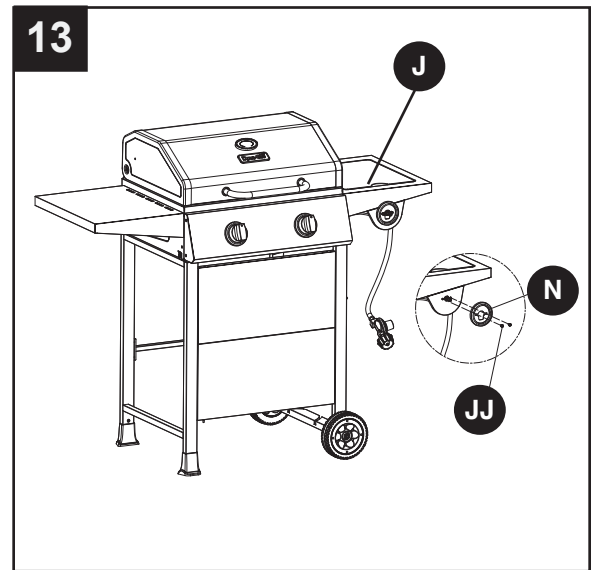


## ASSEMBLY INSTRUCTIONS

13. Use two M4x10 bolts (JJ) to assemble the side burner valve assembly and control knob bezel (N) to the right side burner body assembly (J).

### Hardware Used

**JJ** M4x10 Bolt  x 2



14. Use two M4x10 bolts (JJ) to assemble the side burner (K) on the right side burner body assembly (J). Please ensure the gas valve orifice is correctly positioned inside side burner inlet (venturi).



Correct



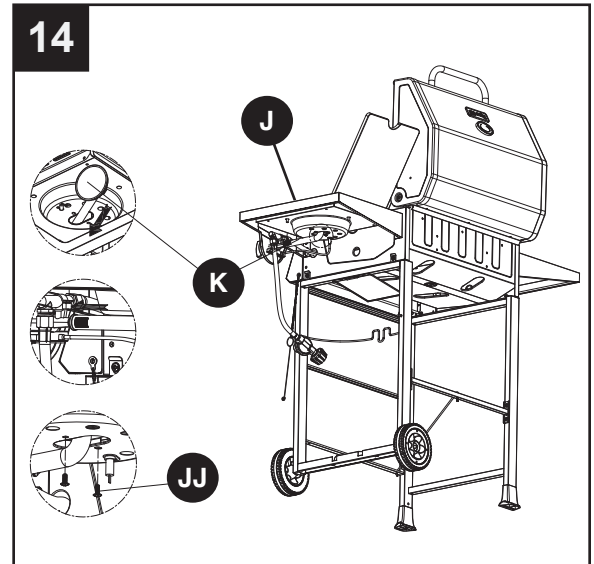
Incorrect



Incorrect

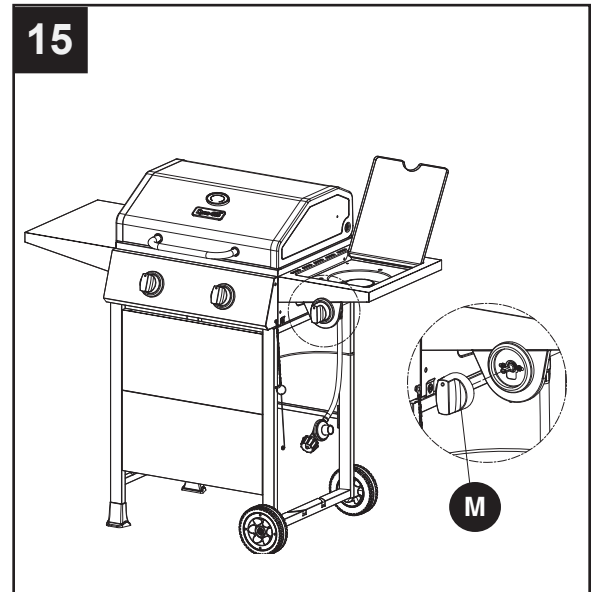
### Hardware Used

**JJ** M4x10 Bolt  x 2



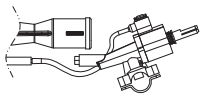
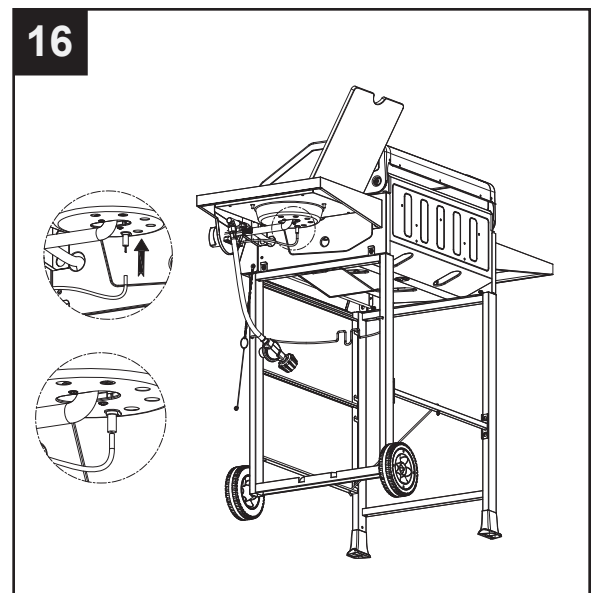
## ASSEMBLY INSTRUCTIONS

15. Assemble the one control knob (M) to side burner valve stem.

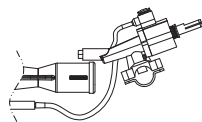


16. Connect the side burner sparker wire to the side burner electrode.

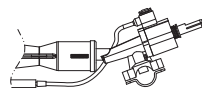
**⚠ WARNING: IT IS VERY IMPORTANT TO CHECK AND ENSURE THAT EACH AND EVERY BURNER IS FULLY ENGAGED WITH THE ADJACENT VALVE ORIFICE BEFORE COMPLETING STEP 17. FAILURE TO DO SO MAY RESULT IN FIRE OR EXPLOSION, POSSIBLY CAUSING SERIOUS INJURY OR DEATH. REFER TO MAINTENANCE SECTION INSTRUCTIONS TO PROPERLY CHECK THE ENGAGEMENT.**



Wrong



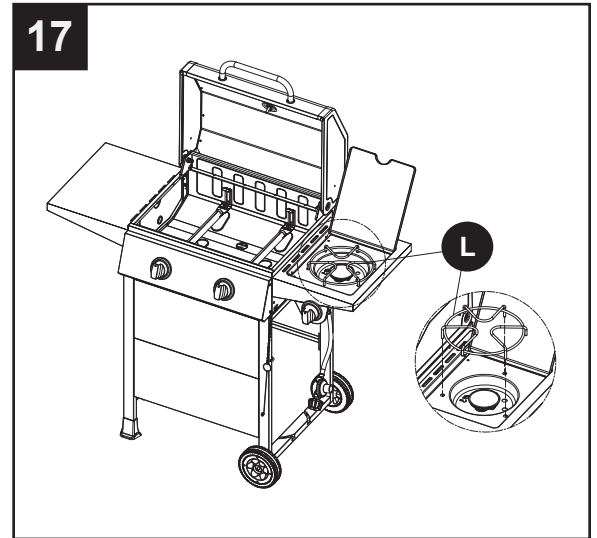
Wrong



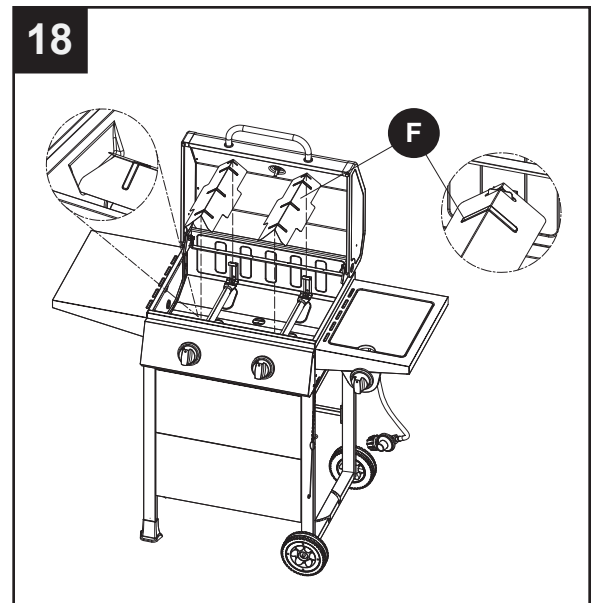
Correct

## ASSEMBLY INSTRUCTIONS

17. Put the side burner rack (L) in place.

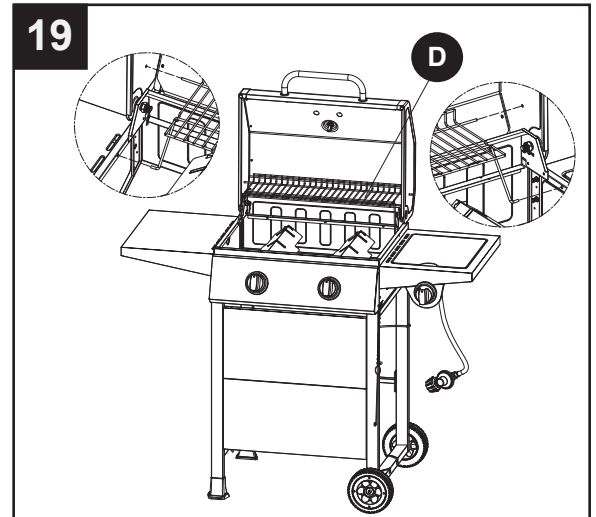


18. Put the 2 heat tents (F) into place over each burner.

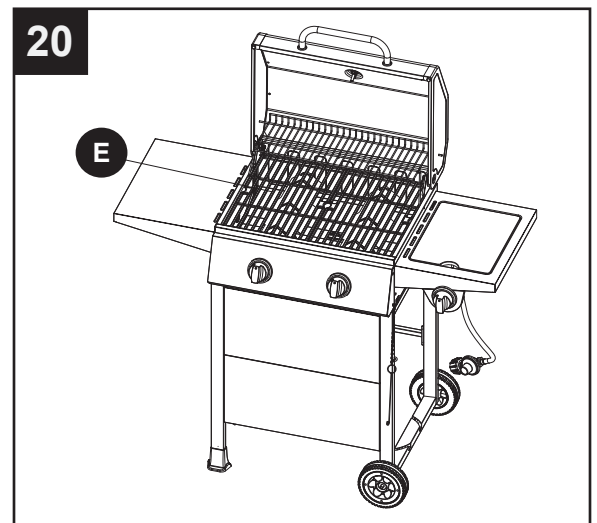


## ASSEMBLY INSTRUCTIONS

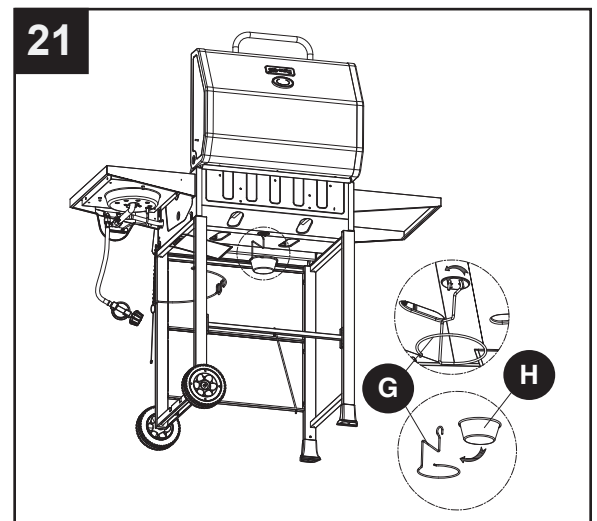
19. Put one warming rack (D) in place.



20. Put two cooking grates (E) in place.

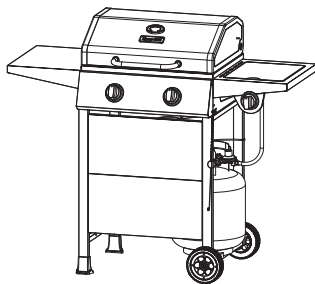


21. Put the grease cup (H) onto the grease cup support (G), then insert into the bottom of the grill body.

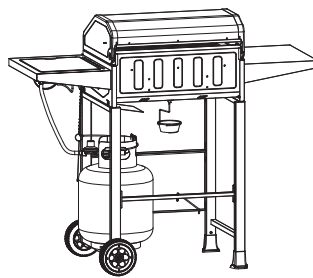


## ASSEMBLY INSTRUCTIONS

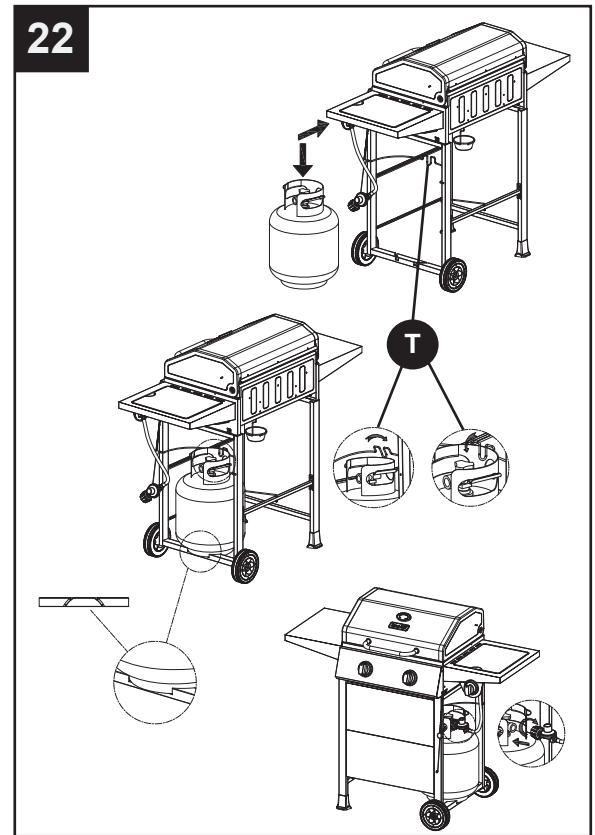
22. Place gas cylinder (sold separately) upright into the notches in the right leg assembly, so the gas cylinder valve is facing the gas line connection. Secure gas cylinder by sliding the LP gas tank retainer wire (T) over collar of gas cylinder. Hand-tighten the hose/regulator coupling to the threaded valve of the LP gas cylinder.



Front view



Rear view



## OPERATION INSTRUCTIONS

---


### CHECKING FOR LEAKS

After all connections are made, check all connections and fittings on the LP gas tank valve, gas hose and regulator for leaks with a water and soap solution.

To prevent fire or explosion while testing for a leak:

- Always perform leak test prior to lighting the grill.
- Do not smoke while testing for a leak.
- Always perform leak tests outdoors in a well-ventilated area.
- Do not use any source of flame while testing for leaks.
- Do not use the grill until any and all leaks are corrected.
- If you are unable to correct a leak, disconnect the propane supply and call a gas appliance service dealer.

### PERFORM LEAK TEST

- Prepare leak test solution by 50/50 ratio of liquid dish soap and water. Total solution required is approximately 2 - 3 ounces (70 - 90 ml). Put leak test solution in a spray bottle.
- Ensure all control knobs are in the  OFF position.
- Connect the gas hose to the gas supply.
- Open the LP gas tank valve.
- Spray leak test solution on all gas carrying connections and fittings. Presence of bubbles at areas of applied test solution indicates a gas leak. If leaks are detected or you smell or hear gas, shut off the gas supply valve immediately and repair or replace the defective part. Do not use the grill until all leaks are corrected.

## CAUTION

**Only use the regulator and hose assembly provided!** If a replacement is necessary, please call our customer service center. Do not use replacement parts that are not intended for this grill.

## WARNING

**ALL INSTRUCTIONS AND SAFEGUARDS ON THIS PAGE MUST BE FOLLOWED TO PREVENT FIRE, DAMAGE AND/OR INJURY.**

## OPERATION INSTRUCTIONS

### CONNECTING GAS CYLINDER

The propane gas supply cylinder to be used must be constructed and marked in accordance with the Specifications for LP Gas Cylinders of the U.S. Department of Transportation (D.O.T.) or the National Standard of Canada, CAN/CSA-B339, Cylinders, Spheres and Tubes for Transportation of Dangerous Goods; and Commission, as applicable; and provided with a listed overfilling prevention device.

Use only 20-pound cylinders (height: 18.11 inches, tank diameter: 9.84 inches, foot diameter: 8.03 inches) equipped with a cylinder connection device compatible with the connection for outdoor cooking appliances.

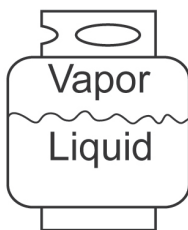
The cylinder must include a collar to protect the cylinder valve. The gas cylinder should not be dropped or handled roughly!

If the appliance is not in use, the gas cylinder must be disconnected. Storage of an appliance indoors is permissible ONLY if the cylinder is disconnected and removed from the appliance. Cylinders must be stored outdoors out of the reach of children and must not be stored in a building, garage or any other enclosed area. Your cylinder must never be stored where temperatures can reach over 125°F.

Place dust cap on cylinder valve outlet whenever the cylinder is not in use. Only install the type of dust cap on the cylinder valve outlet that is provided with the cylinder valve. Other types of caps or plugs may result in leakage of propane.

Before connection, be sure that there is no debris caught in the outlet of the gas cylinder, outlet of the regulator valve or in the outlet of the burner and burner ports. Connect regulator valve and hand-tighten firmly. Keep the propane cylinder valve closed and disconnect the propane cylinder from the regulator valve when the grill is not in use.

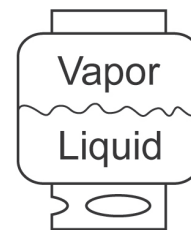
DO NOT obstruct the flow of combustion air and ventilation air to the grill. The propane cylinder must be arranged for vapor withdrawal and equipped with a listed overfilling prevention device. Please use the proper cylinder orientation to provide vapor withdrawal. NOTE: The cylinder must be fully upright for the cylinder to have vapor withdrawal only.



Correct



Wrong



Wrong

## ⚠ CAUTION

- a. Do not store a spare LP-gas cylinder under or near this appliance.
- b. Never fill the cylinder beyond 80 percent full.
- c. If the information in (a) and (b) is not followed exactly, a fire causing death or serious injury may occur.





## OPERATION INSTRUCTIONS

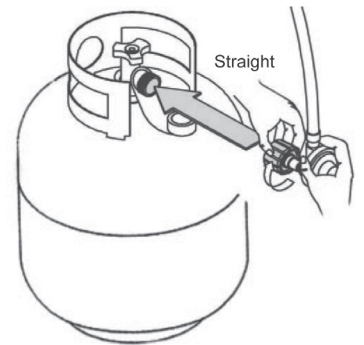
**NOTE:** Other cylinders may be acceptable for use with this appliance provided they are compatible with the appliance nesting hole and retention means. Refer to Step 22 of the Assembly Instructions for correct cylinder to cylinder holder connection.

### ⚠ WARNING

**ALL INSTRUCTIONS AND SAFEGUARDS ON THIS PAGE MUST BE FOLLOWED TO PREVENT FIRE, DAMAGE AND/OR INJURY.**

#### CONNECTING THE LP TANK

1. The knob on the LP tank must be closed. Make sure that the knob is turned  clockwise to a full stop. The cylinder supply system must be arranged for vapor withdrawal.
  2. Check that the control knob on the control unit is turned off.
  3. Remove the protective cap from the LP tank valve and coupling nut.
  4. Hold the regulator in one hand and insert the nipple into the valve outlet. Be sure the nipple is centered in the valve outlet. The coupling nut connects to the large outside threads on the valve outlet. Use care – do not cross thread the connection.
  5. Hand-tighten the coupling nut  clockwise until it comes to a full stop. Firmly tighten by hand only. Do not use tools.
- To Disconnect:** Fully close the tank valve by turning  clockwise. Turn the coupling nut  counterclockwise until the regulator assembly detaches.



### ⚠ WARNING

**In the connection process, make sure:**

- the regulator inlet connector mates with the cylinder valve outlet properly, safely and firmly, and;
- the LP gas hose does not come in contact or remain in contact with the firebox.



## OPERATION INSTRUCTIONS

---

### Lighting The Grill

#### Before first use:







Remove all hangings or plastic straps, if present. Before you cook on your new gas grill, it is important to clean your grill with heat. To do this, operate the grill for approximately 15 minutes with the lid closed and the control knob in the highest position. This will clean the internal parts by burning off any residue and odor from the manufacturing process.

### CAUTION

If the flame extinguishes accidentally during ignition or operation, immediately **TURN OFF** the cylinder valve and then **TURN OFF** the control knob.

### WARNING



Do not lean over grill when lighting. Read instructions before lighting.

1. Check that the control knobs are in the  OFF position.
2. Open valve at tank fully by turning  counterclockwise.
3. Open lid during lighting.
4. Depress and turn control knob counterclockwise  from off position, past the  ignite position, to the  high position. You may need to repeat several times to ignite the burner.  
If ignition does not occur in 5 seconds, turn the control(s) off,  wait 5 minutes, and repeat the lighting procedure.

If the burner still does not light, check that there is gas in the cylinder and follow the match lighting instructions. Check the Troubleshooting Guide on page 26 for more information.

## OPERATION INSTRUCTIONS

### LIGHTING THE GRILL WITH A MATCH

1. Open the lid.
2. Insert a match in the end of the match holder that is installed on the right leg assembly.
3. Light the match.
4. Immediately place the lit match through the spaces in the grill gates near the ports of the burner between the heat tents as shown. Make sure the lit match is close to the burner ports.
5. Press in the control knob that operates the burner and rotate  counter-clockwise to  High position and burner should light immediately.
6. Repeat 2~5 steps to lighting the remaining burners.
7. Adjust burners to desired cooking settings.

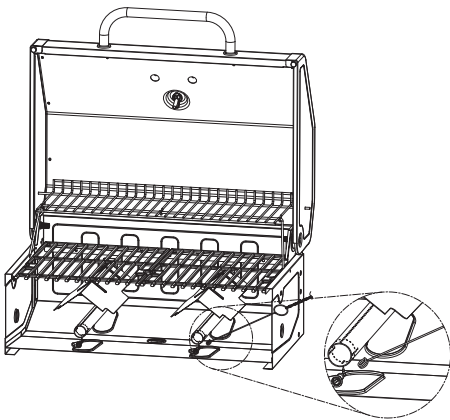
## ⚠ CAUTION

Make sure all burners controls are off except for the burner being lit and the burners that have been lit.

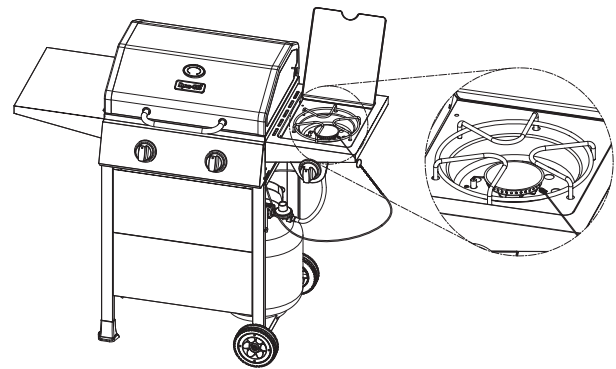
## ⚠ WARNING

If ignition does not occur in 5 seconds, turn the burner control(s) OFF  . Wait 5 minutes, and repeat the lighting procedure.




Main Burner Match Lighting



Side Burner Match Lighting



### SHUTDOWN INSTRUCTIONS

1. Turn control knobs  clockwise to the  OFF position.
2. Close valve at tank fully by turning  clockwise.
3. Close lid.

Turn off LP supply at cylinder when appliance is not in use.

## CARE AND MAINTENANCE

### Cooking Grates

The best time to 'burn-off' the cooking grates is after every use (approx. 15 minutes). The grill is already hot from cooking thus requiring less fuel to obtain necessary temperature for 'burn-off'.

To 'burn off' or heat clean your grill, turn the burners to highest position and run for 15 minutes with the lid closed. Then turn off the burners and use a wire brush to clean excess food residue from the grates.

The porcelain grates have an enamel finish (similar to glass) and should be handled with care not to chip.

## ⚠ CAUTION

**Ensure the grill is cool before cleaning and conducting maintenance and with the gas supply turned off at the LP-Gas Cylinder.**

### Recommended Cleaning Supplies

Mild liquid dish soap, warm water, nylon cleaning pad, wire brush

DO NOT use cleaners that contain acid, mineral spirits or any abrasive substance.

### Outside Surfaces

It is recommended to use only mild dish soap and hot water to clean grill and grill parts.

Rinse with warm water.

### Inside Bottom Pan of Grill Body

To avoid flare-ups, the bottom pan of the cooking box should be kept clean on a regular basis.

Remove residue using a brush, scraper and/or cleaning pad. Wash with mild dish soap and warm water. Rinse with warm water. Avoid water splashing into venturi tubes of burners.

### Heat Tents

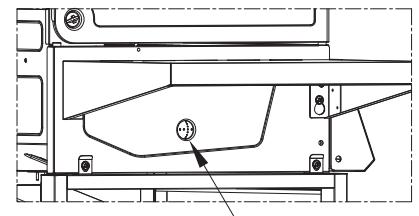
Clean residue with wire brush and wash with mild dish soap and warm water. Rinse with warm water.

### Grease Cup

Empty the grease cup and clean with mild dish soap and warm water on a regular basis.

### Checking The Flame

For maximum fuel efficiency and cooking performance, flame should be a blue-yellow color and be between 1- 2 inches high. To check the flame, view the flame through the holes in both sides of the firebox.



Hole for viewing the flame



## CARE AND MAINTENANCE

### Burner Assembly

#### Removing The Burner Assembly

1. Make sure all control knobs are in the OFF position, gas supply valve is closed, and the gas hose is disconnected from the gas supply.
2. Open lid and remove warming rack, cooking grates, heat tents, clip for burner, ignition chain and main burner.
3. Remove hinge pin as illustrated in Figure 1.
4. Slide main burners out of firebox.
5. Detach ignition wire from electrode in Figure 2.

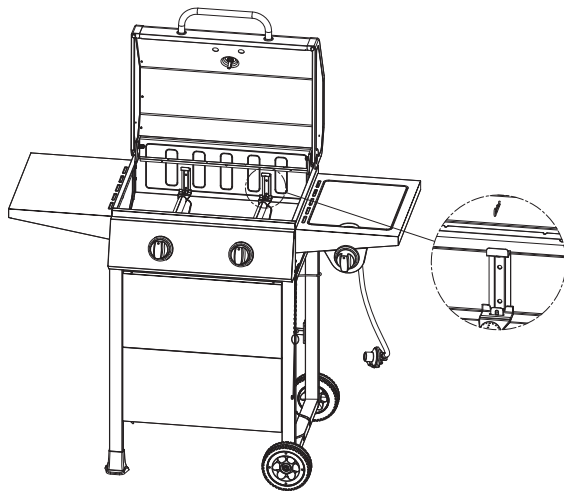
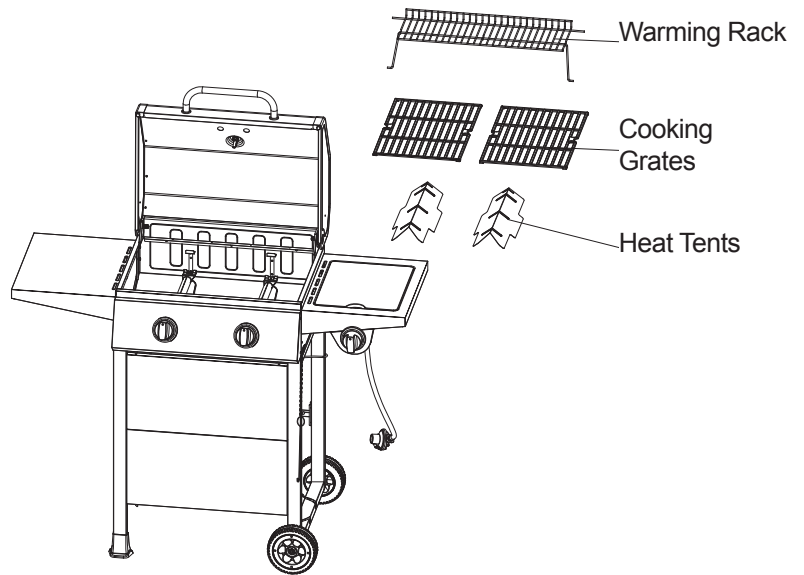


Figure 1

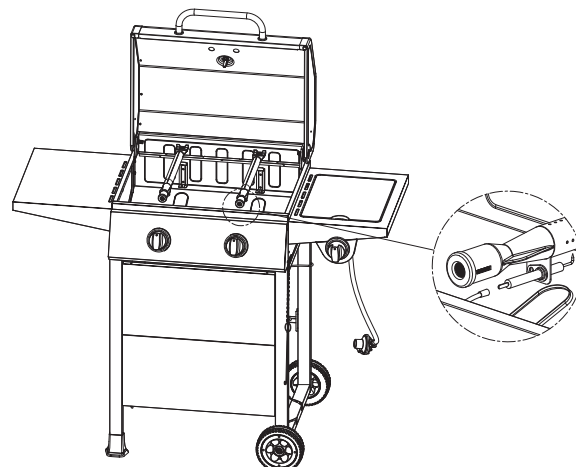


Figure 2

## CARE AND MAINTENANCE

### Cleaning the Burner Assembly

– Make sure the grill is cool

1. Turn gas off at the control knobs and LP gas cylinder.
2. Disconnect LP gas cylinder from regulator and hose.
3. Remove warming rack, cooking grates and heat tents.
4. Detach burner by removing the cotter pins at the back of the burners to detach them from the brackets.
5. Detach ignition wire from electrode by hand only. DO NOT use pliers or any other tool as it may damage the electrode or wire.
6. Lift burner slowly.
7. Ensure all burner ports are clear of clogs. Use of a pin or paper clip works well.
8. Ensure burner is free of any damage. If damage is found, replace with new burner.
9. Ensure the end of the burner and primary air screen are clear from insect nests, dirt or debris.

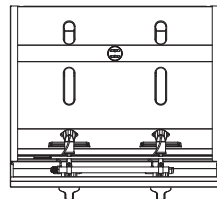
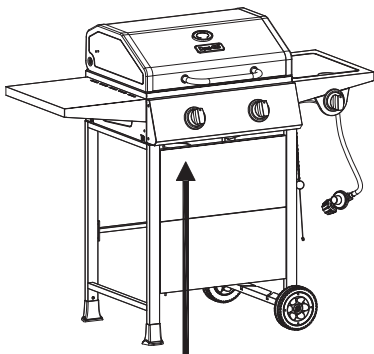
### Re-installing the Burner

Ensure that gas valve orifices are correctly positioned inside burner inlet (venturi).

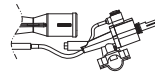
The use of a flashlight may be necessary to ensure the correct position.

It is recommended to view the correct position through the firebox vent holes as illustrated below.

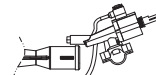
Reattach each burner with the hinge pin and reattach the ignition wire to electrode.



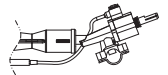
Bottom View



Wrong



Wrong



Correct

View the correct position  
from the bottom of the firebox

## ⚠ WARNING

**If the instructions above are not followed, a fire or explosion may result, possibly causing serious bodily injury or death.**

### Other Care and Maintenance

It is recommended that inspection and service on this appliance be conducted annually by a qualified service person.

It is recommended that you always check that the outdoor cooking appliance area is clear and free from combustible material, gasoline and other flammable vapors and liquids before lighting.

It is recommended that you regularly check that the flow of combustion and ventilation air is not obstructed.

It is recommended that you regularly check that the ventilation openings of the grill cabinet are free and clear from debris.

It is recommended that you regularly check and clean the burner/venturi tubes for insects and insect nests. A clogged tube can lead to a fire beneath the grill.

## TROUBLESHOOTING

If you have any questions regarding the product, please call customer service at 1-877-447-4768, 8:30 a.m. – 4:30 p.m., CST, Monday – Friday.

<b>PROBLEM</b>	<b>POSSIBLE CAUSE</b>	<b>CORRECTIVE ACTION</b>
<b>The burner will not light using the ignitor procedure (weak or no spark being generated).</b>	<ol style="list-style-type: none"><li>1. The igniter electrode may be covered with grease or residue.</li><li>2. The igniter electrode may have a loose or disconnected wire.</li><li>3. Cracked or broken ignition electrode.</li></ol>	<ol style="list-style-type: none"><li>1. Clean the ignitor electrode.</li><li>2. Check the connection and reconnect any loose or disconnected wires.</li><li>3. Replace ignition electrode (see Replacement Parts List).</li></ol>
<b>Low Heat.</b>	<ol style="list-style-type: none"><li>1. Insufficient gas pressure to the unit.</li></ol>	<ol style="list-style-type: none"><li>1. Call a qualified service agency to check the gas supply pressure and correct the pressure.</li></ol>
<b>Excessive Flare Ups.</b>	<ol style="list-style-type: none"><li>1. Grease and/or residue build-up on heat tents or in firebox.</li><li>2. Excessive dripping of fat or marinade from food.</li><li>3. Cooking temperature too high.</li></ol>	<ol style="list-style-type: none"><li>1. Clean the grill components.</li><li>2. Trim the fat from meat and use non-oil based marinades.</li><li>3. Lower temperature accordingly.</li></ol>

## TROUBLESHOOTING

PROBLEM	POSSIBLE CAUSE	CORRECTIVE ACTION
<p><b>The burner will not light with a match.</b></p>	<ol style="list-style-type: none"> <li>1. Match not reaching burners (when holding match with hand).</li> <li>2. Empty tank.</li> <li>3. Poor connection between valve regulator and LP cylinder coupling.</li> <li>4. Burner inlet blocked.</li> </ol>	<ol style="list-style-type: none"> <li>1. Use match holder found in cabinet door.</li> <li>2. Check fuel level and refill tank if necessary.</li> <li>3. Turn off grill knobs, close the LP cylinder valve at top of cylinder and check the connection between the regulator valve and cylinder coupling. Disconnect and reconnect, if necessary.</li> <li>4. Clean the burner inlet (venturi) and burner as described by the Care and Maintenance section in the manual.</li> </ol>
<p><b>No gas flow or an obstructed gas flow.</b></p>	<ol style="list-style-type: none"> <li>1. Tank valve not on or fully opened.</li> <li>2. Empty tank.</li> <li>3. Poor connection between valve regulator and LP cylinder coupling.</li> <li>4. Burner inlet blocked.</li> </ol>	<ol style="list-style-type: none"> <li>1. Fully open tank valve by turning counterclockwise.</li> <li>2. Check fuel level and replace fuel if necessary.</li> <li>3. Turn off grill knobs, close the LP cylinder valve at top of cylinder and check the connection between the regulator valve and cylinder coupling. Disconnect and reconnect, if necessary.</li> <li>4. Clean the burner inlet (venturi) and burner as described by the Care and Maintenance section in the manual.</li> </ol>

## LIMITED WARRANTY

---

### 1-Year Limited Warranty

This LP gas grill is warranted for 1 year (5 years on the Stainless Steel burners) against broken or damaged parts at the time of purchase. It is warranted to be free of defects. Paint is warranted to be free of defects except for rust, which may appear after repeated use.

This warranty does not cover damage or issues related to neglect, abuse, or modifications to the appliance. Repair labor is not covered.

All parts that meet the warranty requirements will be shipped at no charge via the discretion of the manufacturer (ground shipments, US Mail, or Parcel Post ONLY). Any special handling charges (i.e. Second Day, overnight, etc.) will be the responsibility of the consumer.

All warranty claims apply only to the original purchaser and require a proof of purchase verifying purchase date. Do not return parts without first obtaining a return authorization number from our customer service. This service is available by calling toll free 1-877-447-4768, 8:30 a.m. – 4:30 p.m., CST, Monday – Friday.

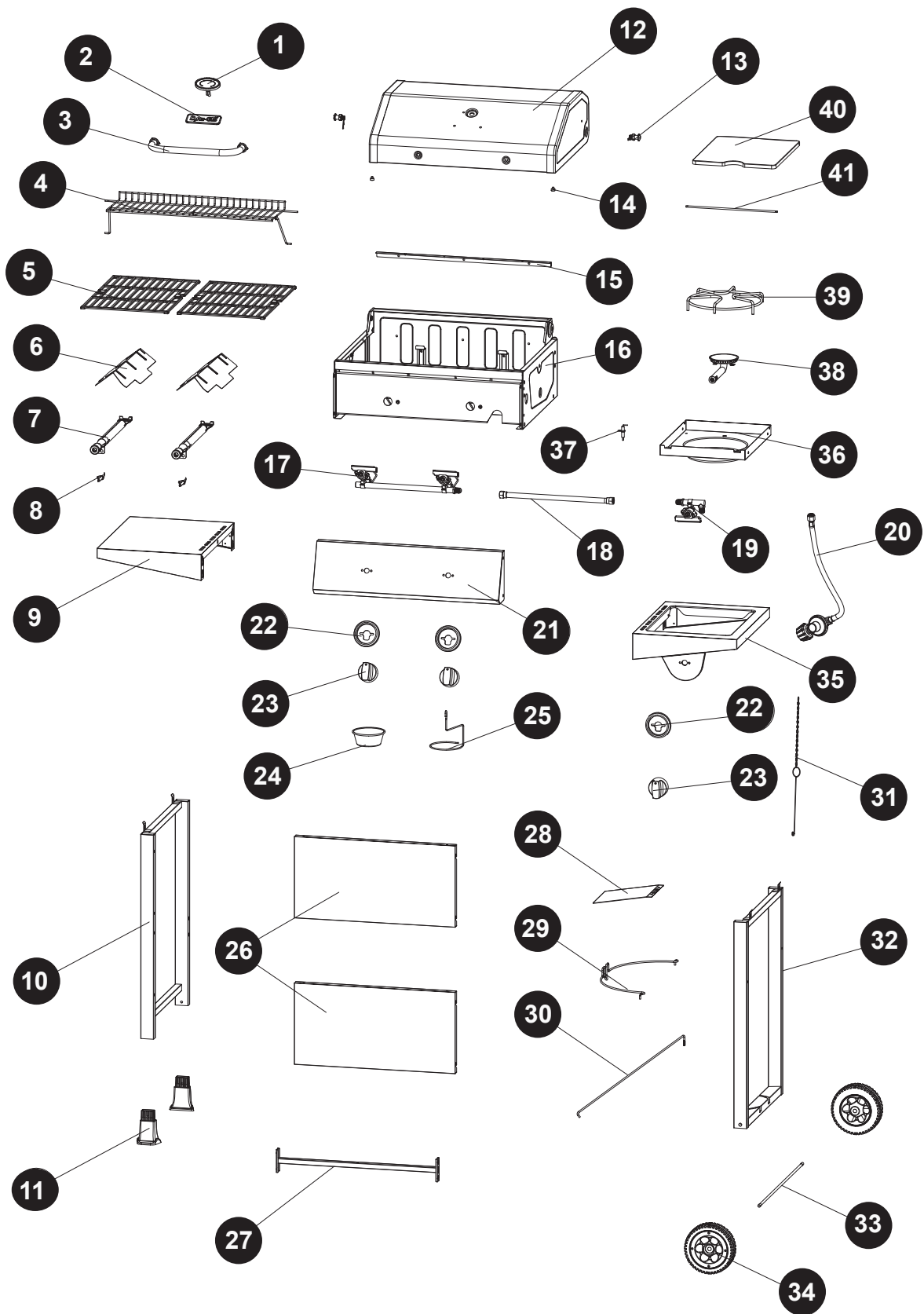
NOTICE: Some states do not allow the exclusion or limitation of incidental or consequential damages or limitations on how long an implied warranty lasts, so the above limitations or exclusions may not apply to you. This warranty gives you specific legal rights and you may also have other legal rights which may vary from state to state.

GHP Group Inc.  
6440 W. Howard Street  
Niles, IL, USA  
60714-3302

Item Name: 2-Burner LP Gas Grill With Side Burner  
Model #: DGF350CSP/DGF350CSP-D  
Main Burner Total rated BTU: 24,000 BTU/Hr  
Side Burner rated BTU: 12,000 BTU/Hr



# REPLACEMENT PARTS LIST



## REPLACEMENT PARTS LIST

For replacement parts, call our customer service department at 1-877-447-4768, 8:30 a.m. – 4:30 p.m., CST, Monday – Friday.

PART	DESCRIPTION	PART#
1	Temp Gauge Assembly	70-01-100
2	Badge	70-01-540
3	Hood Handle	70-01-632
4	Warming Rack	70-01-633
5	Cooking Grate	70-01-634
6	Heat Tent	70-01-635
7	Main Burner With Clip	70-01-636
8	Main Burner Sparker	70-01-283
9	Left Side Table Assembly	70-01-637
10	Left Leg Assembly	70-01-638
11	Leg End Cap	70-01-639
12	Hood Assembly (with inner plate)	70-01-640
13	Hood Hinge (with nut, washer and clip)	70-01-641
14	Lid Bumper	70-01-176
15	Cooking Grate Support	70-01-642
16	Firebox Assembly (with heat shield and burner bracket )	70-01-643
17	Main Valves and Manifold Assembly	70-01-644
18	Corrugated Hose	70-01-645
19	Side Valve	70-01-646
20	Regulator and Hose Assembly	70-01-647
21	Control Panel Assembly English Only	70-01-648
22	Control Knob Bezel	70-01-184
23	Control Knob	70-01-185
24	Grease Cup	70-01-650
25	Grease Cup Bracket	70-01-651
26	Cart Front Panel	70-01-652
27	Cart Rear Brace Assembly	70-01-653
28	Tank Heat Shield	70-01-654
29	Tank Fix Bar	70-01-655
30	Cylinder Block Bar	70-01-656
31	Match Holder with Chain	70-01-204
32	Right Leg Assembly	70-01-657
33	Axle	70-01-658
34	Wheel	70-01-659
35	Right Side Table Assembly	70-01-660
36	Side Burner Pan	70-01-661
37	Side Burner Sparker	70-01-269
38	Side Burner Body	70-01-662
39	Side Burner Rack	70-01-266
40	Side Burner Lid	70-01-264
41	Side Burner Lid Rod	70-01-265
n/a	Instruction Manual	70-10-640
n/a	Hardware Pack	70-09-523

# Dyna-Glo®

## BARBECUE AU PROPANE À DEUX BRÛLEURS AVEC BRÛLEUR LATÉRAL

Modèle n° DGF350CSP/DGF350CSP-D

English p. 1

Español p. 61



**AGRAFEZ VOTRE FACTURE ICI**

Numéro de série \_\_\_\_\_ Date d'achat \_\_\_\_\_



**Questions, problèmes, pièces manquantes?** Avant de retourner l'article au détaillant, appelez notre service à la clientèle au 1 877 447-4768, entre 8 h 30 et 16 h 30 (HNC), du lundi au vendredi, ou envoyez un courriel à [customerservice@ghpgroupinc.com](mailto:customerservice@ghpgroupinc.com).

## TABLE DES MATIÈRES

Informations relatives à la sécurité .....	33
Contenu de l'emballage .....	35
Quincaillerie fournie .....	36
Préparation .....	36
Instructions d'assemblage .....	37
Instructions de fonctionnement .....	48
Entretien et maintenance .....	53
Dépannage .....	56
Garantie .....	58
Liste des pièces de rechange .....	59

Assembleur/installateur : Ce guide contient des informations importantes nécessaires au bon assemblage et à l'utilisation sécuritaire de cet appareil. Veuillez lire et suivre tous les avertissements et toutes les instructions avant d'assembler et d'utiliser cet appareil. **Laissez ces instructions au consommateur.**

Consommateur/utilisateur : Veuillez respecter tous les avertissements et toutes les instructions en utilisant cet appareil. **Veillez conserver ces instructions pour consultation future.**

### **DANGER**

**Si vous sentez une odeur de gaz :**

- 1. Coupez l'admission de gaz de l'appareil.**
- 2. Éteignez toute flamme nue.**
- 3. Ouvrez le couvercle.**
- 4. Si l'odeur persiste, éloignez-vous de l'appareil et appelez immédiatement le service d'incendie local.**

### **AVERTISSEMENT**

- 1. N'entreposez pas et n'utilisez pas d'essence ou d'autres liquides ou vapeurs inflammables à proximité de cet appareil ou de tout autre appareil.**
- 2. Une bouteille de propane liquide qui n'est pas raccordée en vue de son utilisation ne doit pas être entreposée dans le voisinage de cet appareil ou de tout autre appareil.**
- 3. Ce barbecue est pour utilisation extérieure uniquement et ne doit pas être utilisé dans un bâtiment, un garage ou aucun autre espace fermé ou sous une structure similaire.**
- 4. Ne laissez pas le barbecue sans surveillance pendant qu'il est allumé. Gardez les enfants et les animaux domestiques loin du barbecue en tout temps.**

## INFORMATIONS RELATIVES À LA SÉCURITÉ

Veillez lire et comprendre le présent guide avant de tenter d'assembler, d'utiliser ou d'installer le produit. Si vous avez des questions concernant le produit, veuillez appeler le service à la clientèle au : 1 877 447-4768, entre 8 h 30 et 16 h 30 (HNC), du lundi au vendredi.

### DANGER

- N'utilisez pas cet appareil dans une atmosphère explosive. Assurez-vous que l'espace autour du barbecue est dégagé et ne contient pas de matières inflammables, d'essence ou d'autres liquides ou vapeurs inflammables.



**AVERTISSEMENT : LES COMBUSTIBLES UTILISÉS DANS LES APPAREILS FONCTIONNANT AU GAZ PROPANE LIQUÉFIÉ ET LES PRODUITS DE LEUR COMBUSTION PEUVENT VOUS EXPOSER À DES SUBSTANCES CHIMIQUES COMME LE BENZÈNE, RECONNU DANS L'ÉTAT DE LA CALIFORNIE COMME CAUSANT LE CANCER ET DES ANOMALIES CONGÉNITALES OU D'AUTRES PROBLÈMES DE REPRODUCTION. *Pour plus de renseignements, visitez le : [www.P65Warnings.ca.gov](http://www.P65Warnings.ca.gov).***

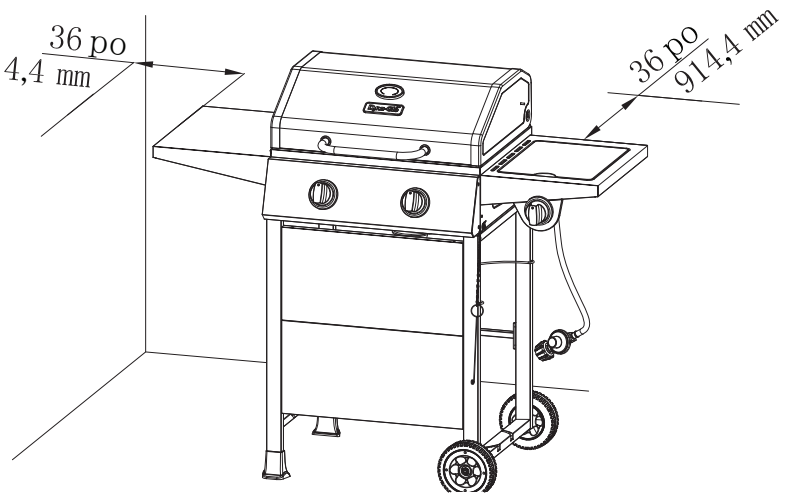
### MISE EN GARDE

- N'utilisez jamais de charbon ou d'essence à briquet dans le barbecue.
- N'utilisez pas d'essence, de kérosène ou d'alcool pour allumer l'appareil.
- La bouteille de propane liquide utilisée avec cet appareil doit être :
  - (a) fabriquée et identifiée selon les spécifications sur les bouteilles de propane liquide du département des Transports des États-Unis (DOT) ou selon la norme CAN/CSA-B339 intitulée « Bouteilles à gaz cylindriques et sphériques et tubes pour le transport des marchandises dangereuses » des Normes nationales du Canada et selon la Commission, si applicables;
  - (b) fournie avec un dispositif de protection antidébordement approuvé; et
  - (c) équipée d'un système de raccordement à la bouteille qui est compatible avec le système de raccordement des appareils de cuisson d'extérieur. Ce barbecue n'est pas conçu pour une installation ou un usage à bord d'un véhicule récréatif ou d'un bateau.
- Ne gardez jamais une bouteille de propane remplie dans une voiture ou un coffre de voiture surchauffé. La chaleur fait augmenter la pression du gaz, ce qui peut ouvrir la soupape de décharge et laisser le gaz s'échapper.
- Ouvrez toujours le couvercle du barbecue lentement et prudemment, puisque la chaleur et la vapeur emprisonnées à l'intérieur pourraient vous causer de sérieuses brûlures.

## **! AVERTISSEMENT**

- Ne placez pas le barbecue sous des constructions inflammables ou des auvents. Le dégagement minimum entre l'appareil, sur les côtés et à l'arrière, et les constructions inflammables est de 36 po (914,4 mm).

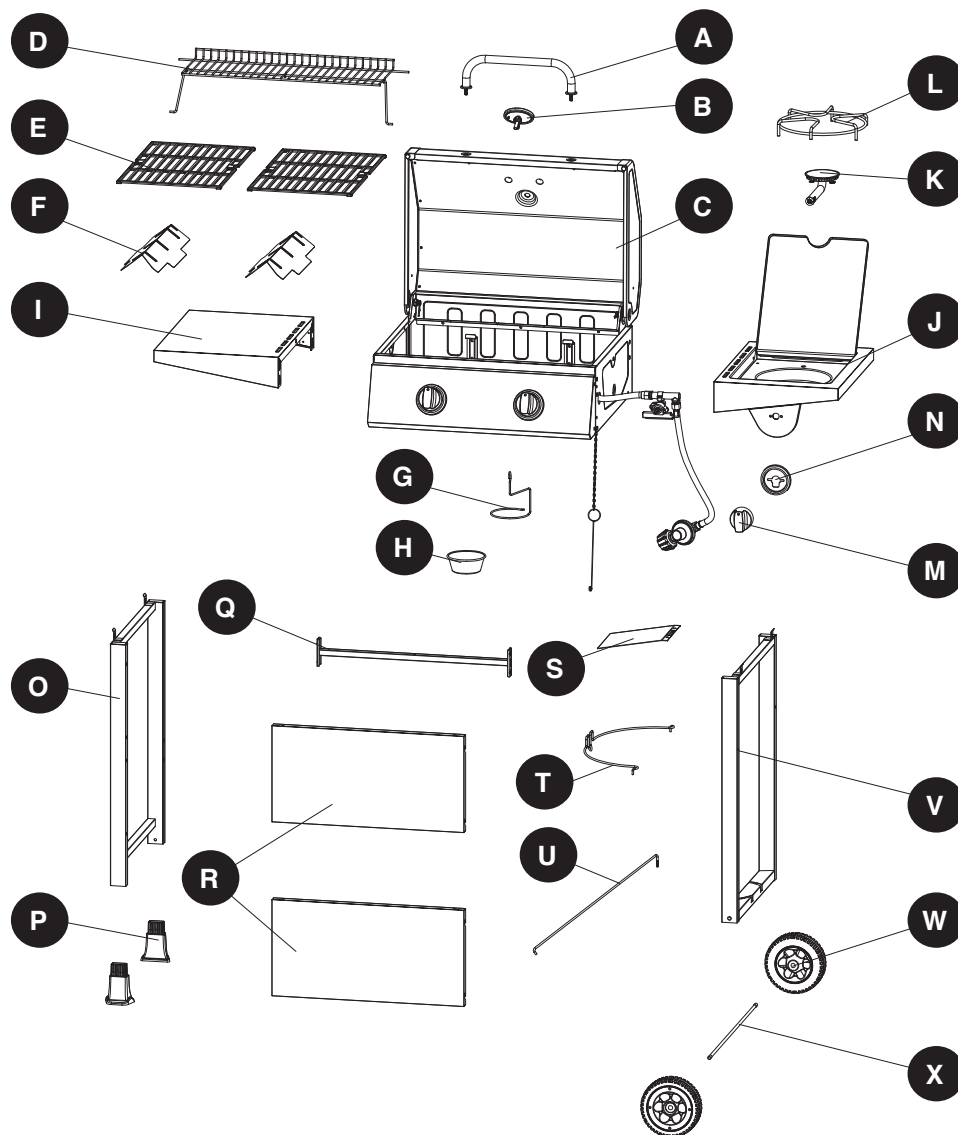
REMARQUE : L'installation doit être conforme aux codes locaux ou, en l'absence de codes locaux, au code ANSI Z223.1/ NFPA 54 intitulé « National Fuel Gas Code » (code national des gaz combustibles), au code CSA B149.1 intitulé « Code d'installation du gaz naturel et du propane » ou au code CSA B149.2 intitulé « Code sur le stockage et la manipulation du propane ».



## **! MISE EN GARDE**



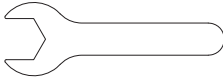







- N'entreposez pas et n'utilisez pas d'essence ou d'autres liquides ou vapeurs inflammables à proximité de cet appareil ou de tout autre appareil.
- Une bouteille de propane liquide qui n'est pas raccordée en vue de son utilisation ne doit pas être entreposée dans le voisinage de cet appareil ou de tout autre appareil.
- Ce barbecue est conçu pour être utilisé uniquement avec du propane (bouteille de propane non comprise).
- N'essayez jamais de fixer ce barbecue au système de propane autonome d'un bateau, d'une caravane, d'une autocaravane ou d'une maison.
- N'essayez pas de déplacer le barbecue pendant qu'il est chaud ou allumé. Les roulettes doivent être verrouillées lorsque vous ne déplacez pas le barbecue.
- N'utilisez pas le barbecue avant qu'il soit complètement assemblé et que toutes ses pièces soient fixées et serrées de façon sécuritaire.
- Gardez tout élément ou toute surface inflammable à au moins 36 po (91,44 cm) du barbecue en tout temps.
- Ne touchez pas les pièces en métal du barbecue avant qu'il n'ait complètement refroidi (après environ 45 minutes) afin d'éviter les brûlures, à moins que vous ne portiez une protection (poignées, gants, mitaines de barbecue, etc.).
- Ne modifiez pas le barbecue de quelque manière que ce soit.
- Nettoyez et inspectez le tuyau avant chaque utilisation. S'il y a des signes de dégradation, d'usure, de coupure ou de fuite, le tuyau doit être changé avant la prochaine utilisation de l'appareil. Le tuyau de rechange doit être celui précisé par le fabricant.
- Placez les tuyaux de propane le plus loin possible des surfaces chaudes ou des gouttes de graisse chaude.
- Gardez le compartiment de la vanne, les brûleurs et les conduits d'air du barbecue propres. Inspectez le barbecue avant chaque utilisation. N'obstruez pas le débit de gaz et l'entrée d'air.
- La consommation d'alcool et de médicaments prescrits ou en vente libre peut altérer la capacité de l'utilisateur à assembler correctement le barbecue et à l'utiliser de manière sécuritaire.
- **Ne laissez pas le barbecue sans surveillance pendant qu'il est allumé. Gardez les enfants et les animaux domestiques loin du barbecue en tout temps.**
- Ne placez pas ce barbecue sur une table, quelle qu'elle soit. Le barbecue doit être placé sur une surface plane et nivelée.
- N'utilisez pas le barbecue lorsqu'il y a de grands vents.

## CONTENU DE L'EMBALLAGE



PIÈCE	DESCRIPTION	QTÉ	PIÈCE	DESCRIPTION	QTÉ
A	Poignée du couvercle	1	M	Bouton de commande	1
B	Jauge de température	1	N	Collerette du bouton de commande	1
C	Bâti du barbecue	1	O	Pied gauche	1
D	Grille d'attente	1	P	Capuchon du pied	2
E	Grille de cuisson	2	Q	Support arrière du chariot	1
F	Plaque de rayonnement	2	R	Panneau avant du chariot	2
G	Support du récupérateur de graisse	1	S	Écran thermique de la bouteille de propane liquide	1
H	Récupérateur de graisse	1	T	Fil de retenue de la bouteille de propane liquide	1
I	Plateau latéral gauche	1	U	Barre de retenue de la bouteille	1
J	Bâti du brûleur latéral droit	1	V	Pied droit	1
K	Brûleur latéral	1	W	Roue	2
L	Support du brûleur latéral	1	X	Axe	1

## QUINCAILLERIE FOURNIE

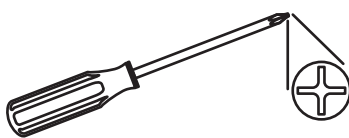
 Vis autotaraudeuse 4,8 x 10 mm Qté 2	 Écrou M8 Qté 2	 Clé M8 Qté 2	 Boulon M5 x 14 mm Qté 14	 Écrou à oreilles M5 Qté 1
 Écrou à oreilles M6 Qté 2	 Rondelle élastique M6 Qté 2	 Rondelle M6 Qté 2	 Boulon M6 x 16 mm Qté 14	 Boulon M4 x 10 mm Qté 4

## PRÉPARATION

Avant de commencer l'assemblage du foyer, assurez-vous d'avoir toutes les pièces. Comparez les pièces à la liste de contenu de l'emballage et de quincaillerie à la page précédente. Si des pièces sont manquantes ou défectueuses, n'essayez pas d'assembler le produit. Veuillez communiquer avec le service à la clientèle afin d'obtenir des pièces de rechange.

**Estimation du temps d'assemblage :** 50 minutes, à deux personnes.

**Outils nécessaires pour l'assemblage et l'essai d'étanchéité (non compris) :** Tournevis cruciforme, flacon pulvérisateur, pince, clé à molette



## ⚠ MISE EN GARDE

**CET APPAREIL EST LOURD. Deux personnes sont requises pour assembler cet appareil en toute sécurité.**


Deux personnes sont requises pour assembler cet appareil en toute sécurité. Certaines pièces peuvent avoir des bords tranchants. Portez des gants de protection si nécessaire. Veuillez lire et respecter les avis de sécurité, les avertissements ainsi que les instructions d'assemblage, d'utilisation et d'entretien avant d'assembler et de mettre en marche l'appareil.

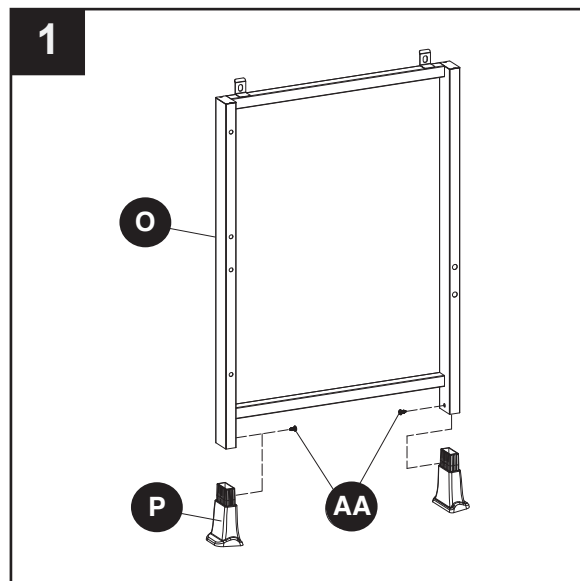


## INSTRUCTIONS D'ASSEMBLAGE

1. Placez les deux capuchons du pied (P) sous le pied gauche (O) et vissez-les à l'aide de deux vis autotaraudeuses 4,8 x 10 mm (AA).

### Matériel utilisé

**AA** Vis autotaraudeuse 4,8 x 10 mm  x 2

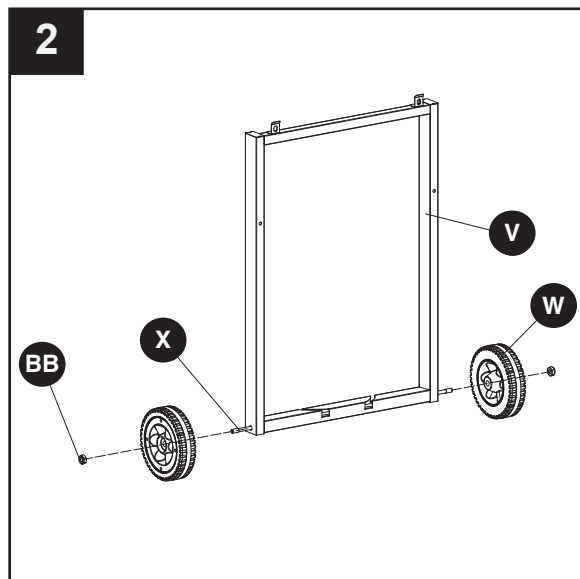


2. Glissez l'axe (X) dans le pied droit (V), puis placez une roue (W) de chaque côté et serrez-les à l'aide d'écrous M8 (BB) et de la clé M8 (CC). Veuillez noter que cette étape nécessite deux personnes et une autre pince ou clé à molette peut être utilisée pour l'assemblage au besoin.

### Matériel utilisé

**BB** Écrou M8  x 2


**CC** Clé M8  x 2

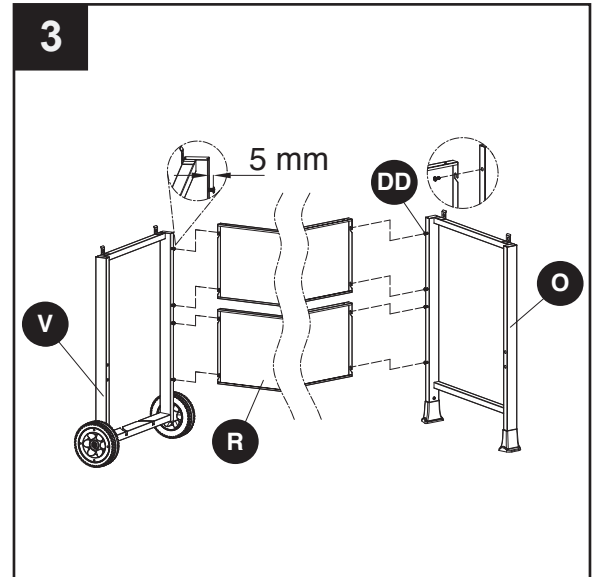


## INSTRUCTIONS D'ASSEMBLAGE

3. Placez huit boulons M5 x 14 mm (DD) sur le pied gauche (O) et le pied droit (V), ne les serrez pas et assurez-vous de laisser un espace de 5 mm entre les boulons et le pied. Placez les deux panneaux avant du chariot (R) l'un au-dessus de l'autre, puis serrez tous les boulons.

### Matériel utilisé

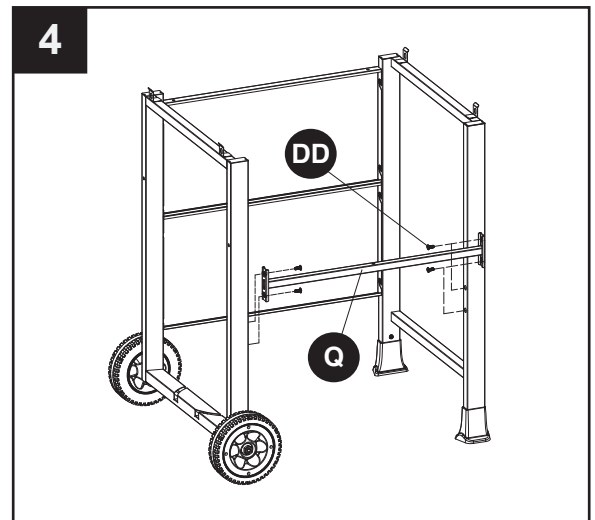
**DD** Boulon M5 x 14 mm  x 8



4. Utilisez quatre boulons M5 x 14 mm (DD) pour serrer le support arrière du chariot (Q) aux pieds gauche et droit.

### Matériel utilisé

**DD** Boulon M5 x 14 mm  x 4

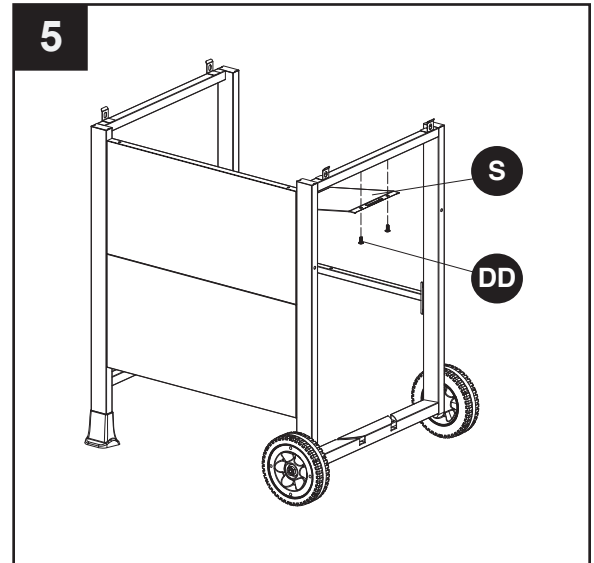


## INSTRUCTIONS D'ASSEMBLAGE

5. Utilisez deux boulons M5 x 14 mm (DD) pour fixer l'écran thermique de la bouteille de propane liquide (S) au pied droit.

### Matériel utilisé

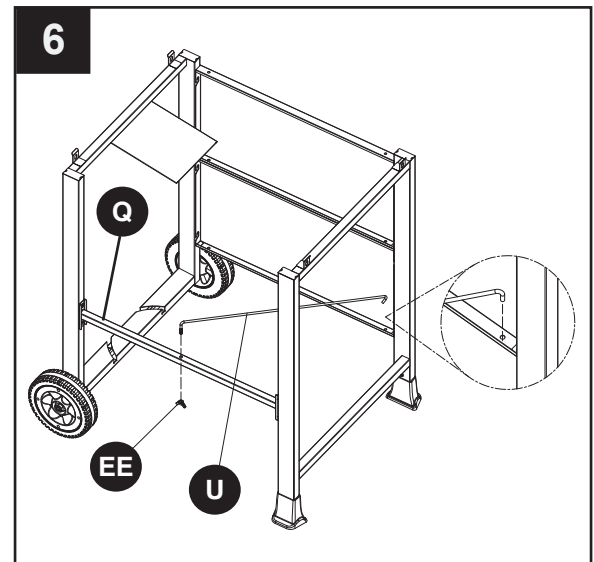
**DD** Boulon M5 x 14 mm  x 2



6. Insérez l'une des extrémités de la barre de retenue de la bouteille (U) dans le trou du panneau avant du chariot situé au bas, puis insérez l'autre extrémité de la barre de retenue (celle avec le fil) dans le support arrière du chariot (Q). Utilisez un écrou à oreilles M5 (EE) pour fixer la barre de retenue de la bouteille (U) au support arrière du chariot (Q).

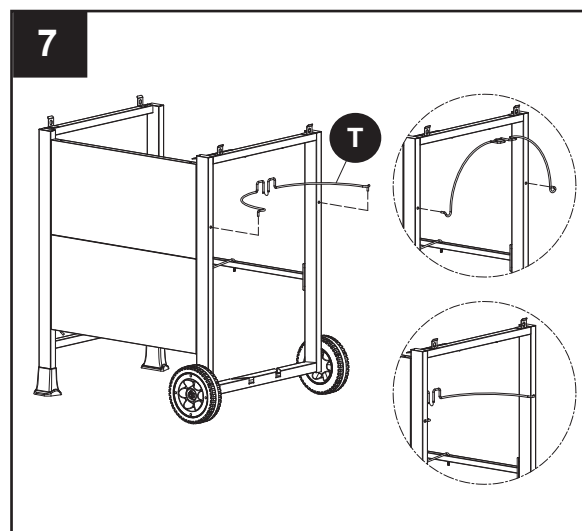
### Matériel utilisé

**EE** Écrou à oreilles M5  x 1



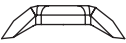


## INSTRUCTIONS D'ASSEMBLAGE

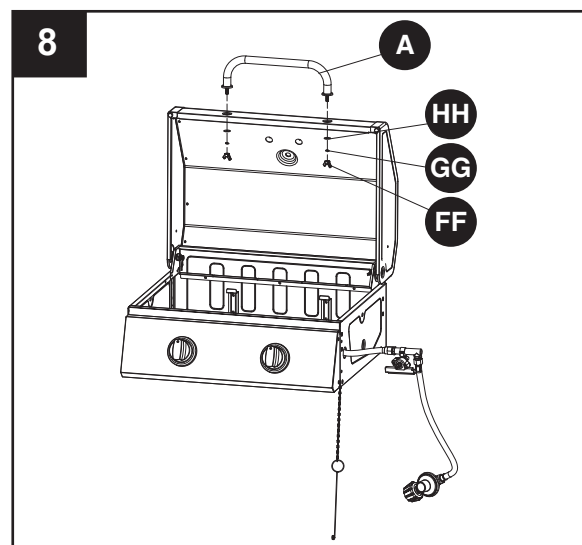
7. Fixez le fil de retenue de la bouteille de propane liquide (T) au pied droit.



8. Fixez la poignée du couvercle (A) au couvercle à l'aide de deux écrous à oreilles M6 (FF), de deux rondelles élastiques M6 (GG) et de deux rondelles M6 (HH).

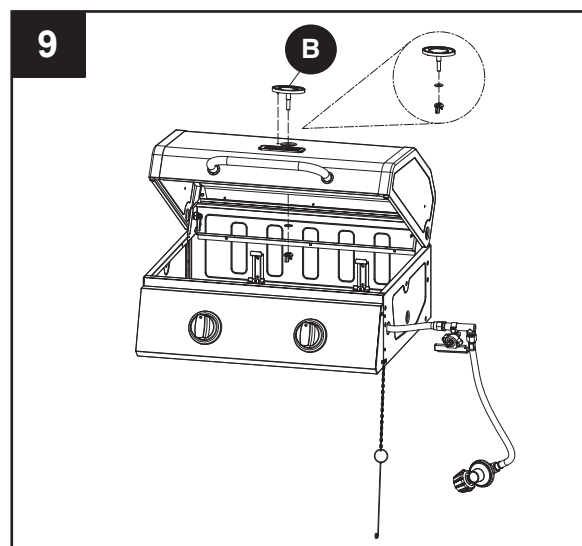
### Matériel utilisé

<b>FF</b>	Écrou à oreilles M6		x 2
<b>GG</b>	Rondelle élastique M6		x 2
<b>HH</b>	Rondelle M6		x 2



## INSTRUCTIONS D'ASSEMBLAGE

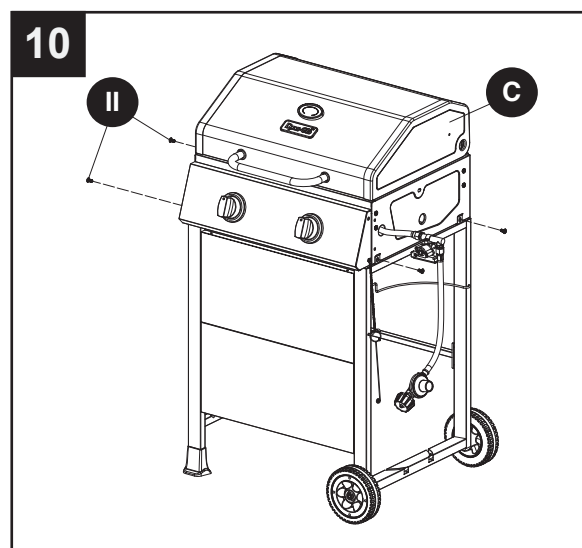
9. Fixez la jauge de température (B) au couvercle. Veuillez utiliser la rondelle et l'écrou à oreilles préassemblés dans la jauge de température pour installer la jauge de température (B) sur le couvercle.



10. Fixez le bâti du barbecue (C) sur le chariot à l'aide de quatre boulons M6 x 16 mm (II). Prenez note que cette étape nécessite deux personnes afin de soulever le bâti du barbecue.

### Matériel utilisé

- II Boulon M6 x 16 mm  x 4



## INSTRUCTIONS D'ASSEMBLAGE

11. Placez quatre boulons M6 x 16 mm (II) sur le bâti du barbecue (C), sans les serrer, et assurez-vous de laisser un espace de 5 mm entre les boulons et les capuchons du bâti du barbecue. Ensuite, placez le plateau latéral gauche (I) sur les boulons, fixez-le à l'aide d'un boulon M6 x 16 mm (II), et serrez tous les boulons.

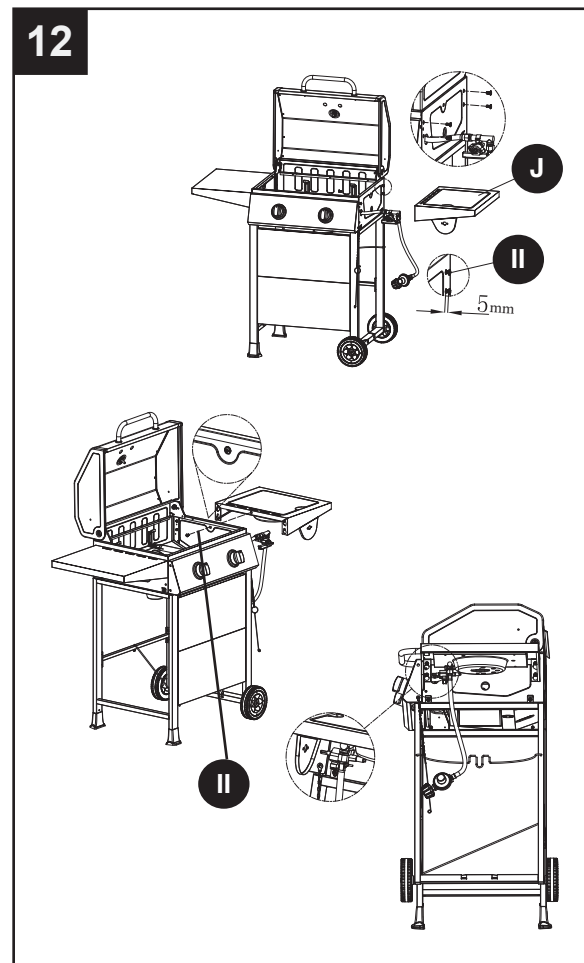
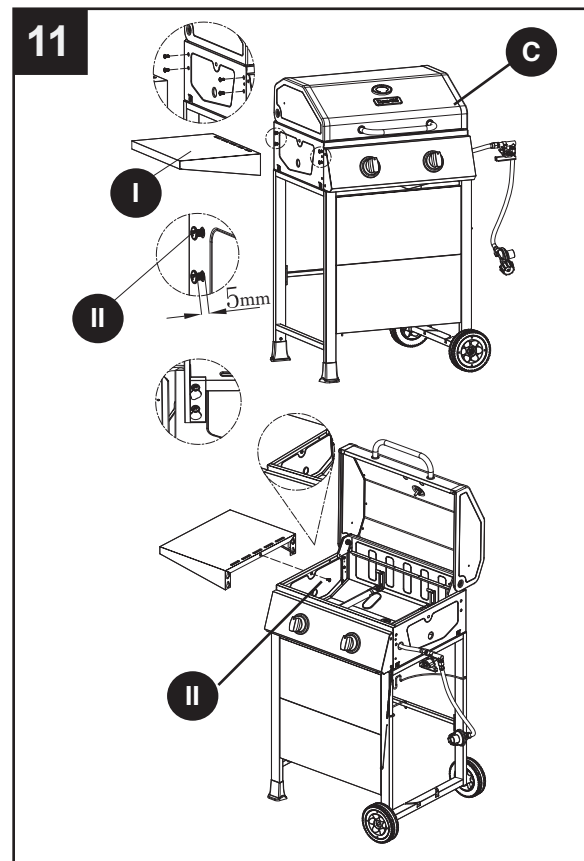
### Matériel utilisé

- II Boulon M6 x 16 mm  x 5

12. Placez quatre boulons M6 x 16 mm (II) sur le bâti du barbecue (C), sans les serrer, et assurez-vous de laisser un espace de 5 mm entre les boulons et les capuchons du bâti du barbecue. Ensuite, placez le bâti du brûleur latéral droit (J) sur les boulons, fixez-le à l'aide d'un boulon M6 x 16 mm (II), et serrez tous les boulons.

### Matériel utilisé

- II Boulon M6 x 16 mm  x 5

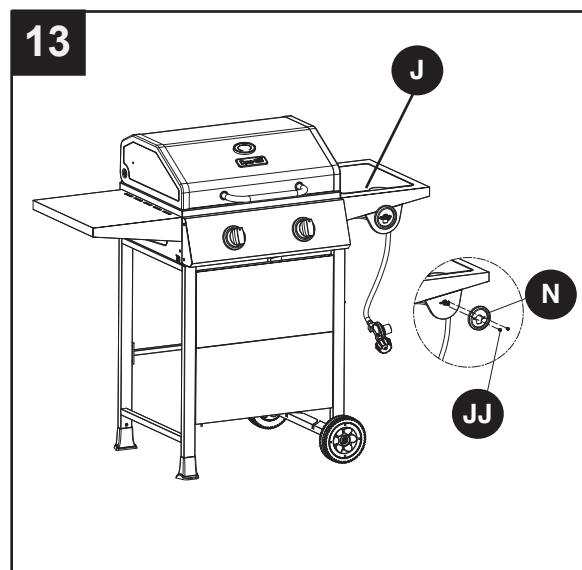


## INSTRUCTIONS D'ASSEMBLAGE

13. Utilisez deux boulons M4 x 10 mm (JJ) pour fixer la vanne du brûleur latéral et la collerette du bouton de commande (N) au bâti du brûleur latéral droit (J).

### Matériel utilisé

- JJ** Boulon M4 x 10 mm  x 2



14. Utilisez deux boulons M4 x 10 mm (JJ) pour fixer le brûleur latéral (K) au bâti du brûleur latéral droit (J). Veuillez vous assurer que l'orifice de la vanne de gaz est bien placé dans l'orifice du brûleur latéral (venturi).



Correct



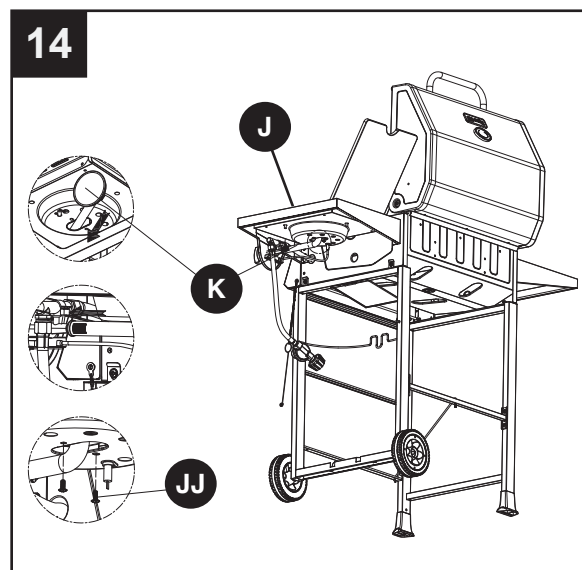
Incorrect



Incorrect

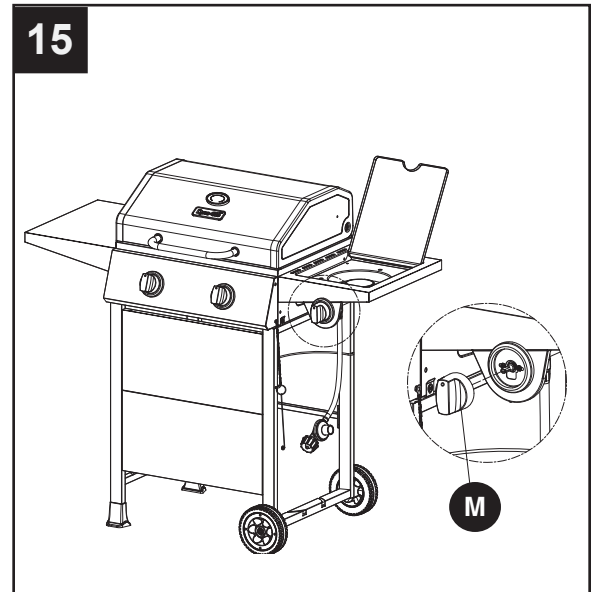
### Matériel utilisé

- JJ** Boulon M4 x 10 mm  x 2



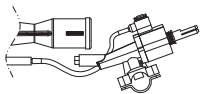
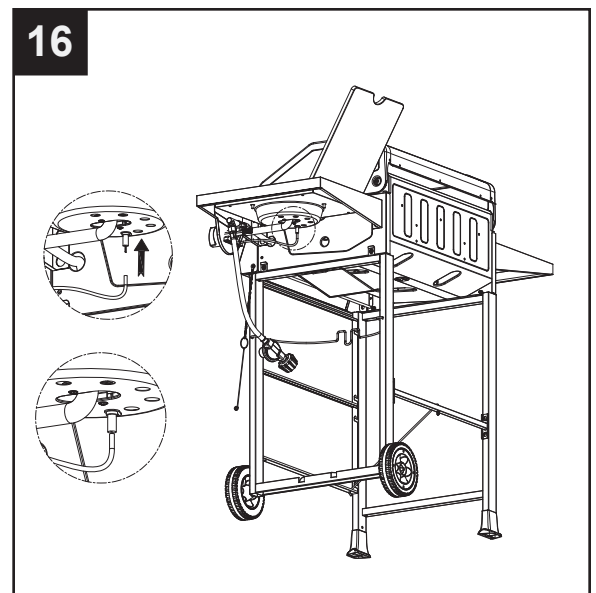
## INSTRUCTIONS D'ASSEMBLAGE

15. Fixez le bouton de commande (M) sur la tige de la vanne du brûleur latéral.

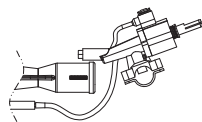


16. Branchez le câble de l'allumeur du brûleur latéral à l'électrode du brûleur latéral.

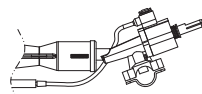
**⚠ AVERTISSEMENT : IL EST TRÈS IMPORTANT DE VÉRIFIER QUE CHAQUE BRÛLEUR EST BIEN ENFONCÉ DANS L'ORIFICE DE LA VANNE ADJACENTE AVANT DE COMPLÉTER L'ÉTAPE 17. OMETTRE DE LE FAIRE POURRAIT PROVOQUER UN INCENDIE OU UNE EXPLOSION ET CAUSER DES BLESSURES OU MÊME LA MORT. RÉFÉREZ-VOUS À LA SECTION SUR LA MAINTENANCE POUR BIEN VÉRIFIER L'ENFONCEMENT.**



Incorrect



Incorrect

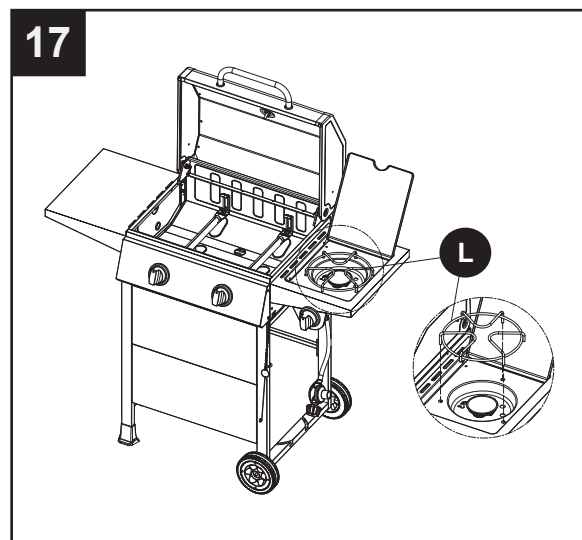


Correct

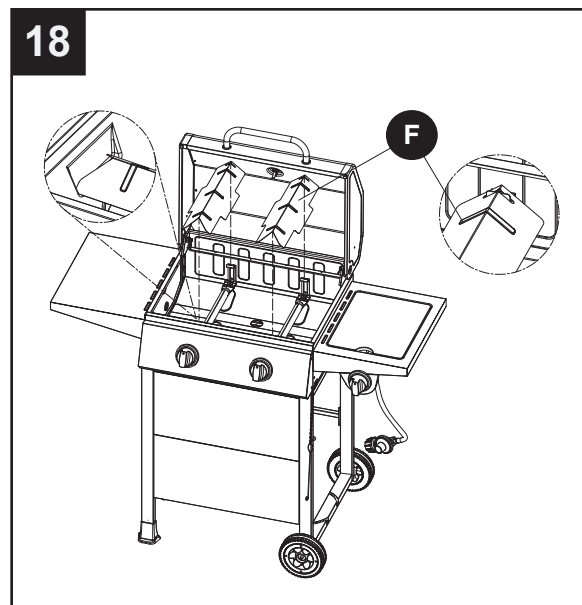


## INSTRUCTIONS D'ASSEMBLAGE

17. Installez le support du brûleur latéral (L).

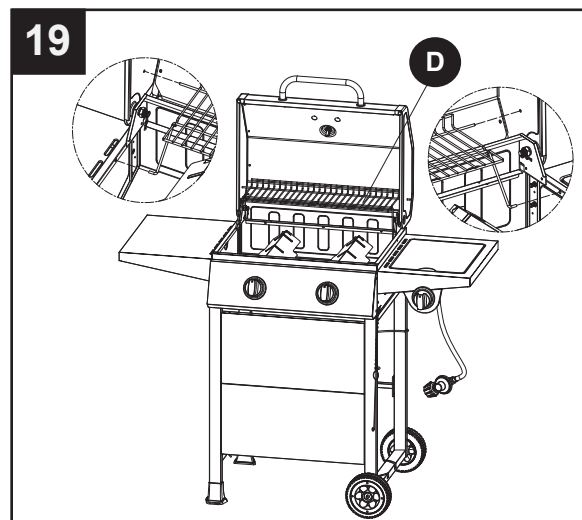


18. Placez une plaque de rayonnement (F) sur chaque brûleur.

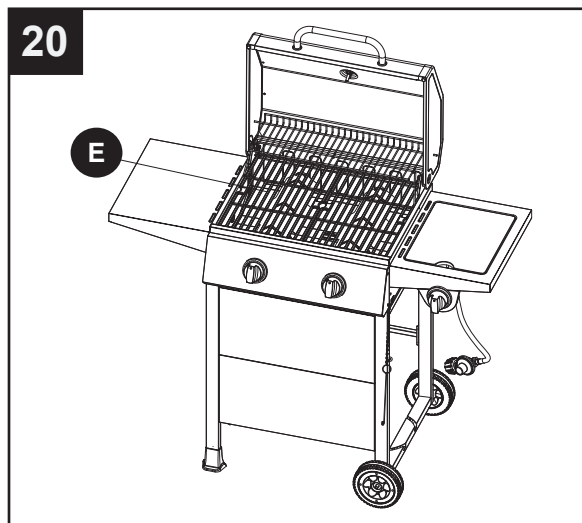


## INSTRUCTIONS D'ASSEMBLAGE

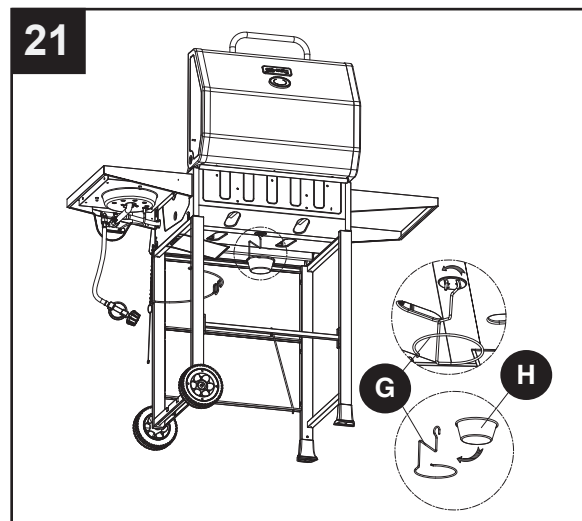
19. Placez la grille d'attente (D).



20. Placez les deux grilles de cuisson (E).

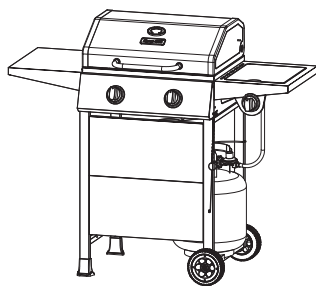


21. Placez le récupérateur de graisse (H) sur son support (G), puis insérez-le au bas du bâti du barbecue.

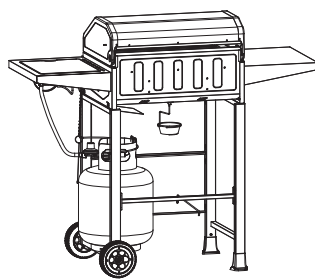


## INSTRUCTIONS D'ASSEMBLAGE

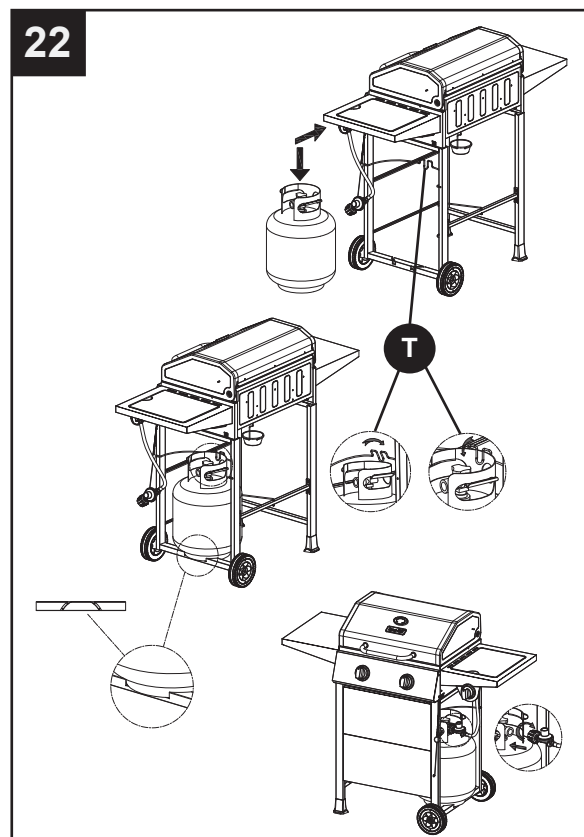
22. Placez la bouteille de propane (vendue séparément) en position verticale dans les encoches du pied droit de façon à ce que la vanne de la bouteille soit vis-à-vis du raccord du tuyau de propane. Arrimez la bouteille de propane liquide en passant le fil de retenue (T) au-dessus du collet de la bouteille. Serrez à la main le raccord du tuyau/régulateur sur la vanne filetée de la bouteille de propane.



Vue de face



Vue arrière



## INSTRUCTIONS DE FONCTIONNEMENT

### DÉCELER DES FUITES DE GAZ

Lorsque tous les raccordements sont effectués, vérifiez qu'il n'y a aucune fuite à la vanne de la bouteille de propane liquide, au tuyau de propane et au régulateur à l'aide d'une solution d'eau savonneuse.

Pour empêcher tout incendie ou toute explosion lorsque vous vérifiez la présence d'une fuite :

- Effectuez toujours un essai d'étanchéité avant d'allumer le barbecue.
- Ne fumez pas à proximité de l'appareil lorsque vous effectuez un essai d'étanchéité.
- Effectuez toujours les essais d'étanchéité à l'extérieur et dans un endroit aéré.
- N'utilisez aucune source de chaleur ou flamme pour déceler une fuite potentielle.
- N'utilisez pas le barbecue avant d'avoir complètement résolu les problèmes d'étanchéité.
- Si vous ne pouvez pas réparer une fuite, déconnectez la bouteille de propane et appelez un fournisseur d'appareils à gaz.

### EFFECTUER UN ESSAI D'ÉTANCHÉITÉ

- Préparez une solution savonneuse comprenant une quantité égale de savon à vaisselle liquide et d'eau pour effectuer l'essai d'étanchéité.

La quantité totale de solution requise est d'environ 70 à 90 ml (2 ou 3 oz).

Versez la solution dans un flacon pulvérisateur.

- Assurez-vous que tous les boutons de commande sont en position d'arrêt (○).
- Raccordez le tuyau de propane à l'alimentation.
- Ouvrez la vanne de la bouteille de propane liquide.
- Pulvérisez la solution d'essai d'étanchéité sur tous les raccords qui acheminent le gaz. Si des bulles se forment à un endroit où la solution est appliquée, il y a une fuite de gaz à cet endroit. Si vous décelez une fuite, une odeur ou un bruit de gaz, fermez immédiatement la vanne d'entrée de gaz et remplacez ou réparez la pièce défectueuse. N'utilisez pas le barbecue avant d'avoir complètement résolu les problèmes d'étanchéité.

## ⚠ MISE EN GARDE

**Utilisez uniquement le régulateur et les tuyaux fournis.** Si vous devez les remplacer, veuillez contacter notre service à la clientèle. N'utilisez pas des pièces de rechange qui ne sont pas conçues spécifiquement pour ce barbecue.

## ⚠ AVERTISSEMENT

**TOUTES LES INSTRUCTIONS ET MESURES DE SÉCURITÉ SUR CETTE PAGE DOIVENT ÊTRE SUIVIES POUR ÉVITER UN INCENDIE, DES DÉGÂTS ET DES BLESSURES.**

## INSTRUCTIONS DE FONCTIONNEMENT

### BRANCHER LA BOUTEILLE DE PROPANE

La bouteille de propane doit être fabriquée et identifiée selon les spécifications sur les bouteilles à gaz du département des Transports des États-Unis (DOT) ou selon la norme CAN/CSA-B339 intitulée « Bouteilles à gaz cylindriques et sphériques et tubes pour le transport des marchandises dangereuses » des Normes nationales du Canada et selon la Commission, si applicables; et fournie avec un dispositif de protection antidébordement approuvé.

N'utilisez que des bouteilles de 20 lb (hauteur : 18,11 po, diamètre de la bouteille : 9,84 po, diamètre du pied : 8,03 po) équipées d'un système de raccordement à la bouteille compatible avec le système de raccordement des appareils de cuisson d'extérieur.

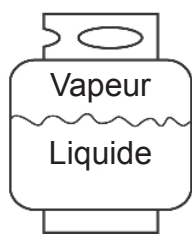
La bouteille doit être munie d'un collet servant à protéger la vanne de la bouteille. Il ne faut pas faire tomber ou manipuler brusquement la bouteille de propane!

La bouteille de propane doit être déconnectée lorsque l'appareil n'est pas en marche. L'entreposage d'un appareil à l'intérieur est permis **UNIQUEMENT** si la bouteille est déconnectée et retirée de l'appareil. Les bouteilles doivent être entreposées à l'extérieur, hors de la portée des enfants. Elles ne doivent pas être entreposées dans un bâtiment, un garage ou tout autre espace fermé. Votre bouteille ne doit jamais être entreposée dans un lieu où la température peut atteindre plus de 125 °F.

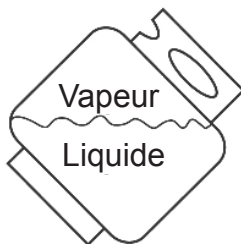
Placez un capuchon antipoussière sur la sortie de vanne de la bouteille quand celle-ci n'est pas utilisée. Installez uniquement le type de capuchon antipoussière qui est fourni avec la vanne de la bouteille. D'autres types de capuchons ou de bouchons peuvent entraîner des fuites de propane.

Avant de raccorder la bouteille, assurez-vous qu'il n'y a pas de débris coincés dans la sortie de la bouteille de propane, la sortie de la vanne de régulation ou la sortie et les orifices du brûleur. Raccordez la vanne de régulation et serrez fermement le raccord à la main. Maintenez la vanne de la bouteille de propane fermée et déconnectez la bouteille de propane de la vanne de régulation quand le barbecue n'est pas en marche.

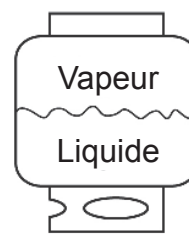
N'obstruez **PAS** la sortie de gaz et l'entrée d'air du barbecue. La bouteille de propane doit être positionnée de façon à ce que la vapeur puisse s'échapper, et être équipée d'un dispositif de protection antidébordement approuvé. Veuillez bien orienter la bouteille pour permettre à la vapeur de s'échapper. **REMARQUE** : La bouteille doit être en position verticale complète pour permettre seulement à la vapeur de s'échapper.



Correct



Incorrect



Incorrect

## ⚠ MISE EN GARDE

- N'entreposez pas de bouteilles de propane supplémentaires sous l'appareil ou près de celui-ci.**
- Ne remplissez jamais la bouteille à plus de 80 % de sa capacité.**
- Il est important de bien suivre les instructions données en a) et b) afin d'éviter un incendie ou des blessures graves ou mortelles.**

## INSTRUCTIONS DE FONCTIONNEMENT

**REMARQUE** : D'autres bouteilles peuvent être utilisées avec cet appareil, pourvu qu'elles soient compatibles avec le range-bouteille et le système de retenue. Consultez l'étape 22 des instructions d'assemblage pour savoir comment connecter correctement une bouteille à son support.

# ⚠ AVERTISSEMENT

**TOUTES LES INSTRUCTIONS ET MESURES DE SÉCURITÉ SUR CETTE PAGE DOIVENT ÊTRE SUIVIES POUR ÉVITER UN INCENDIE, DES DÉGÂTS ET DES BLESSURES.**

### CONNECTER LA BOUTEILLE DE PROPANE

1. La vanne de la bouteille de propane doit être fermée. Assurez-vous de la tourner dans le sens des aiguilles d'une montre ↻ jusqu'à ce qu'elle se bloque entièrement.

Le système d'alimentation de la bouteille doit être positionné de façon à ce que la vapeur puisse s'échapper.

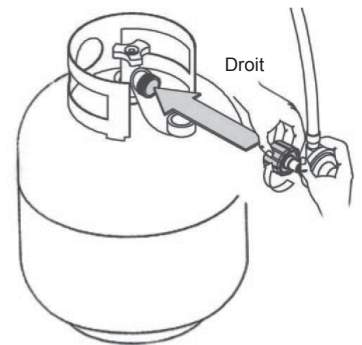
2. Vérifiez que le bouton de commande de l'unité de commande est éteint.

3. Retirez le capuchon protecteur de la vanne de la bouteille de propane et de l'écrou de fixation.

4. Tenez le régulateur d'une main pendant que vous insérez le raccord fileté dans la sortie de vanne. Assurez-vous que le raccord fileté est centré par rapport à la sortie de vanne. L'écrou de fixation doit être en contact avec le filet large externe de la sortie de vanne. Manipulez avec précaution – ne faussez pas le filetage.

5. Resserrez l'écrou de fixation à la main dans le sens des aiguilles d'une montre ↻ jusqu'à ce qu'il soit bien serré. Resserrez fermement à la main uniquement. N'utilisez pas d'outils.

**Pour déconnecter la bouteille** : Fermez complètement la vanne de la bouteille en la tournant dans le sens des aiguilles d'une montre ↻. Tournez également l'écrou de fixation dans le sens contraire des aiguilles d'une montre ↺ jusqu'à ce que le régulateur se détache.



# ⚠ AVERTISSEMENT

**Lors du raccordement de la bouteille de propane, assurez-vous que :**

- le raccord d'admission du régulateur est correctement connecté à la sortie de vanne de la bouteille, fermement et en toute sécurité, et que;
- le tuyau de propane n'est pas en contact avec la chambre de combustion.

## INSTRUCTIONS DE FONCTIONNEMENT

---

### Allumer le barbecue

#### Avant la première utilisation :

Retirez tous les emballages et toutes les attaches de plastique, le cas échéant. Avant de cuisiner sur votre nouveau barbecue au propane, il est important de le nettoyer avec de la chaleur. Pour ce faire, faites fonctionner le barbecue pendant environ 15 minutes avec le couvercle baissé et le bouton de commande à l'intensité maximale. Vous nettoierez ainsi les pièces internes en faisant brûler les résidus et les odeurs générés par le processus de fabrication.

## ⚠ MISE EN GARDE

**Si la flamme s'éteint accidentellement lors de l'allumage ou du fonctionnement, FERMEZ immédiatement la vanne de la bouteille, puis DÉACTIVEZ le bouton de commande.**

## ⚠ AVERTISSEMENT

**Ne vous penchez pas au-dessus du barbecue lors de l'allumage. Lisez les instructions avant d'allumer l'appareil.**

1. Vérifiez que tous les boutons de commande sont en position d'arrêt (○).
2. Ouvrez complètement la vanne de la bouteille en la tournant en sens antihoraire ↺.
3. Ouvrez le couvercle pour allumer l'appareil.
4. Appuyez sur le bouton de commande et faites-le tourner dans le sens antihoraire ↺. Dépassez la position « allumage » ⚡ pour aller jusqu'à la position de haute intensité 🔥. Vous devrez peut-être répéter cette étape plusieurs fois pour allumer le brûleur.

S'il ne s'allume pas en 5 secondes, mettez les boutons de commande en position d'arrêt (○), attendez 5 minutes et recommencez la procédure d'allumage.

S'il ne s'allume toujours pas, assurez-vous que la bouteille contient du propane, puis suivez les instructions d'allumage avec une allumette. Consultez le Guide de dépannage à la page 56 pour obtenir plus de renseignements.

## INSTRUCTIONS DE FONCTIONNEMENT

### ALLUMER LE BARBECUE AVEC UNE ALLUMETTE

1. Ouvrez le couvercle.
2. Insérez une allumette dans le porte-allumettes qui se trouve dans le pied droit.
3. Allumez l'allumette.
4. Placez immédiatement l'allumette dans un des espaces des grilles du barbecue qui se trouvent près des orifices du brûleur, entre les plaques de rayonnement, comme illustré. Veillez à placer l'allumette près des orifices du brûleur.
5. Appuyez sur le bouton de commande du brûleur, puis faites-le tourner en sens antihoraire ↶ jusqu'à la position de haute intensité 🔥 : le brûleur devrait s'allumer instantanément.
6. Répétez les étapes 2 à 5 pour allumer les autres brûleurs.
7. Réglez les brûleurs à la température de cuisson désirée.

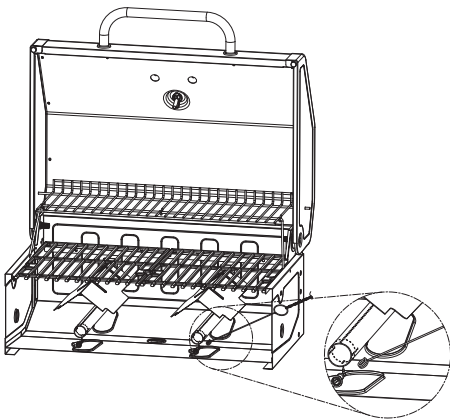
## ⚠ MISE EN GARDE

Assurez-vous que toutes les commandes de brûleurs sont éteintes, sauf celles des brûleurs que vous avez allumés ou que vous êtes en train d'allumer.

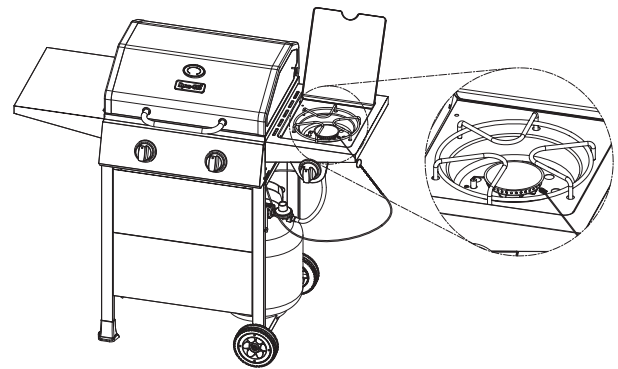
## ⚠ AVERTISSEMENT

Si l'allumage ne se produit pas en 5 secondes, mettez les boutons de commande en position d'arrêt (O). Attendez 5 minutes et recommencez la procédure d'allumage.

Allumage du brûleur principal avec une allumette



Allumage du brûleur latéral avec une allumette



### INSTRUCTIONS D'ARRÊT

1. Tournez les boutons de commande en sens horaire ↷ jusqu'à la position d'arrêt (O).
2. Fermez la vanne de la bouteille en la tournant en sens horaire ↷.
3. Fermez le couvercle.

Coupez l'alimentation en propane sur la bouteille lorsque l'appareil n'est pas en fonction.



### Grilles de cuisson

Le moment idéal pour brûler les résidus sur les grilles de cuisson est juste après leur utilisation, pendant environ 15 minutes. Puisque le barbecue est déjà chaud, atteindre la température voulue pour le nettoyage demande moins de combustible.

Pour brûler les résidus, réglez le barbecue à sa plus haute intensité et laissez-le fonctionner pendant 15 minutes à couvercle fermé. Ensuite, éteignez les brûleurs et utilisez une brosse à métal pour gratter les résidus de nourriture sur les grilles.

Les grilles en porcelaine ont un fini émaillé (semblable au verre) et doivent être manipulées avec soin pour éviter de les endommager.

## ⚠ MISE EN GARDE

**Assurez-vous d'effectuer votre nettoyage et votre entretien lorsque le barbecue a refroidi et que l'alimentation en propane est coupée à la bouteille.**

### Produits de nettoyage recommandés

Savon à vaisselle doux, eau tiède, tampon à récurer en nylon, brosse à métal.

N'utilisez PAS de nettoyants contenant des acides, de l'essence minérale ou tout autre produit abrasif.

### Surfaces externes

Il est recommandé de n'utiliser que du savon à vaisselle doux et de l'eau chaude pour nettoyer le barbecue et ses pièces. Rincez à l'eau tiède.

### Intérieur de la cuve inférieure du bâti

Pour éviter que des flammes jaillissent, la cuve inférieure du bâti devrait être nettoyée régulièrement. Éliminez les résidus à l'aide d'une brosse, d'un grattoir ou d'un tampon à récurer. Nettoyez avec un savon à vaisselle doux et de l'eau tiède. Rincez à l'eau tiède. Ne laissez pas l'eau éclabousser les venturis ou les brûleurs.

### Plaques de rayonnement

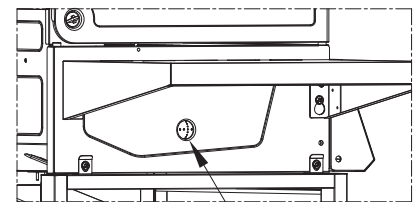
Éliminez les résidus avec une brosse à métal et nettoyez avec du savon à vaisselle doux et de l'eau tiède. Rincez à l'eau tiède.

### Récupérateur de graisse

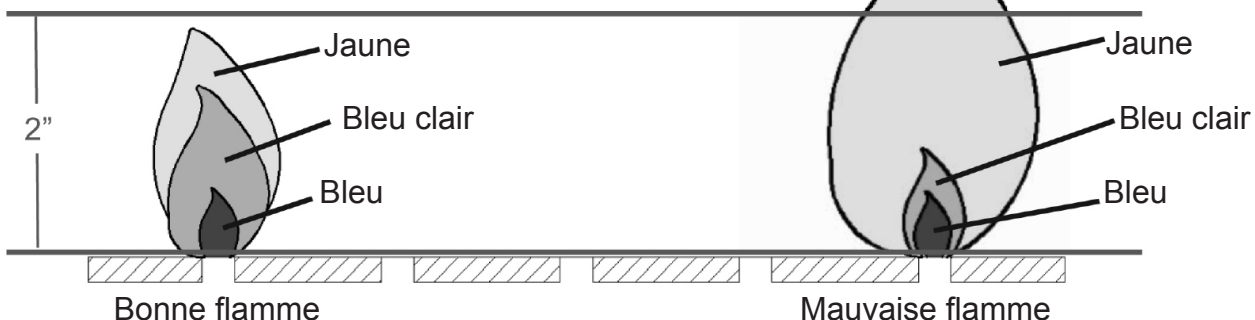
Videz de façon régulière le récupérateur de graisse et nettoyez-le avec du savon à vaisselle doux et de l'eau tiède.

### Vérification de la flamme

La flamme idéale pour économiser le combustible et cuire efficacement devrait être bleu et jaune et mesurer entre 1 et 2 po. Pour vérifier la flamme, observez-la par les trous situés de part et d'autre de la chambre de combustion.



Trou permettant de voir la flamme



### Brûleur

#### Retirer le brûleur

1. Assurez-vous que tous les boutons de commande sont en position d'arrêt, que la vanne d'alimentation en propane est fermée et que le tuyau de propane est déconnecté de l'alimentation.
2. Ouvrez le couvercle et retirez la grille d'attente, les grilles de cuisson, les plaques de rayonnement, l'attache du brûleur, la chaîne d'allumage et le brûleur principal.
3. Retirez l'axe de charnière, comme illustré à la figure 1.
4. Glissez les brûleurs principaux à l'extérieur de la chambre de combustion.
5. Détachez le fil d'allumage de l'électrode, comme illustré à la figure 2.

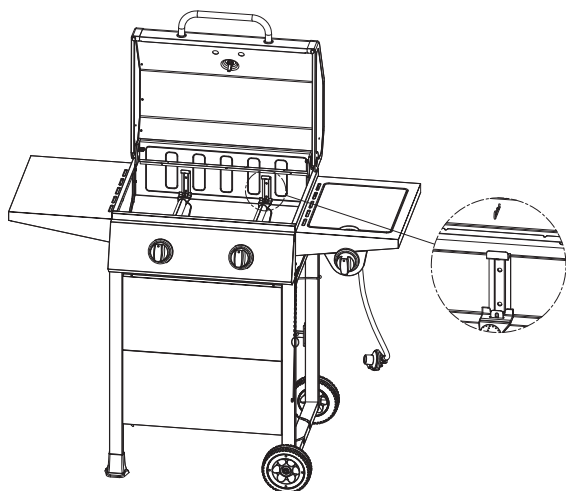
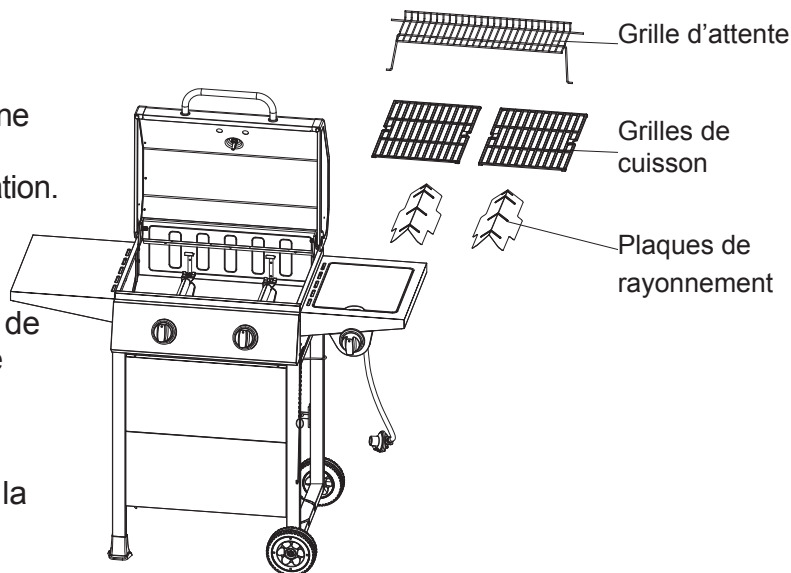


Figure 1

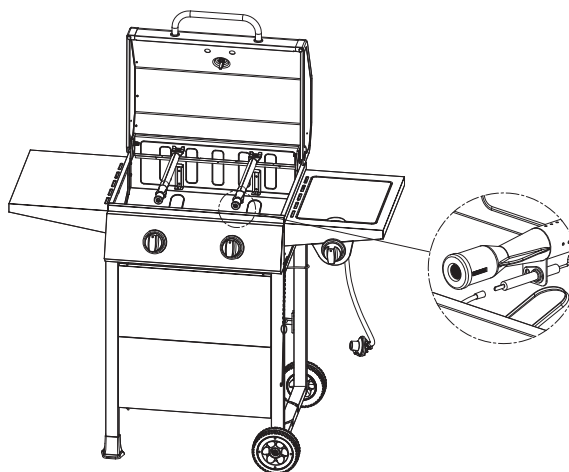


Figure 2

## ENTRETIEN ET MAINTENANCE

### Nettoyer le brûleur

– Assurez-vous que le barbecue est froid.

1. Éteignez le propane avec les boutons de commande et la vanne de la bouteille.
2. Déconnectez la bouteille de propane du régulateur et du tuyau.
3. Retirez la grille d'attente, les grilles de cuisson et les plaques de rayonnement.
4. Retirez les goupilles fendues à l'arrière des brûleurs pour détacher ces derniers de leur support.
5. Détachez manuellement le fil d'allumage de l'électrode. N'utilisez PAS de pinces ou d'autres outils qui pourraient endommager l'électrode ou le fil.
6. Soulevez doucement le brûleur.
7. Veillez à ce que tous les orifices du brûleur soient libres d'obstructions. Vous pouvez utiliser une broche ou un trombone.
8. Assurez-vous que le brûleur n'est pas endommagé. S'il l'est, remplacez-le.
9. Assurez-vous que l'extrémité du brûleur et le filtre à air principal ne contiennent pas de nids d'insectes, de saletés ou de débris.

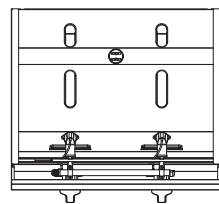
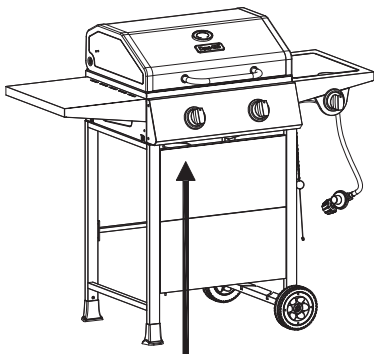
### Réinstaller le brûleur

Veillez vous assurer que les orifices de la vanne de propane sont bien placés dans l'orifice du brûleur (venturi).

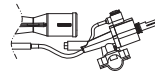
Vous pourriez avoir besoin d'une lampe de poche pour le vérifier.

Il est recommandé de vérifier la position par les trous d'évent de la chambre de combustion, comme illustré ci-dessous.

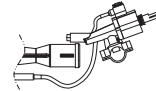
Réinstallez chaque brûleur avec l'axe de charnière et reconnectez le fil d'allumage à l'électrode.



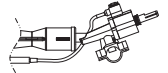
Vue du dessous



Incorrect



Incorrect



Correct

Vérifiez la position par le dessous de la chambre de combustion.

## ⚠ AVERTISSEMENT

**Le non-respect des instructions ci-dessus peut provoquer un incendie ou une explosion pouvant entraîner des blessures graves ou la mort.**

### Entretien et maintenance supplémentaires

Il est recommandé de faire inspecter et entretenir cet appareil une fois par année par un technicien qualifié.

Il est recommandé de toujours vérifier que l'appareil de cuisson d'extérieur est exempt de matériaux combustibles, d'essence et d'autres vapeurs et liquides inflammables avant de l'allumer.

Il est recommandé de vérifier régulièrement que la sortie de gaz et l'entrée d'air sont exemptes d'obstructions.

Il est recommandé de vérifier régulièrement que les conduits d'aération de l'armoire du barbecue sont propres et exemptes de débris.

Il est recommandé de vérifier régulièrement que les brûleurs et les venturis sont exemptes d'insectes et de nids d'insectes, et de les nettoyer au besoin. Un tuyau obstrué peut provoquer un incendie sous le barbecue.

## DÉPANNAGE

Si vous avez des questions concernant le produit, veuillez appeler le service à la clientèle au 1 877 447-4768, de 8 h 30 à 16 h 30 (HNC), du lundi au vendredi.

PROBLÈME	CAUSE POSSIBLE	SOLUTION
<b>Le brûleur ne s'allume pas après que la procédure d'allumage a été suivie (la flamme est faible ou aucune flamme n'est produite).</b>	<ol style="list-style-type: none"><li>1. L'électrode de l'allumeur est peut-être recouverte de graisse ou de résidus.</li><li>2. L'électrode de l'allumeur peut avoir un fil lâche ou mal raccordé.</li><li>3. L'électrode d'allumage est fissurée ou brisée.</li></ol>	<ol style="list-style-type: none"><li>1. Nettoyez l'électrode d'allumage.</li><li>2. Vérifiez les raccordements et reconnectez tous les fils lâches ou mal raccordés.</li><li>3. Remplacez l'électrode d'allumage (voir la liste des pièces de rechange).</li></ol>
<b>Chaleur faible.</b>	<ol style="list-style-type: none"><li>1. La pression d'alimentation de gaz de l'appareil est insuffisante.</li></ol>	<ol style="list-style-type: none"><li>1. Appelez une institution de service qualifiée pour faire vérifier et réparer la pression d'alimentation de gaz.</li></ol>
<b>Flambées excessives.</b>	<ol style="list-style-type: none"><li>1. Il y a une accumulation de graisse ou de résidus sur les plaques de rayonnement ou dans la chambre de combustion.</li><li>2. Il y a un égouttement excessif de gras ou de marinade des aliments.</li><li>3. La température de cuisson est trop élevée.</li></ol>	<ol style="list-style-type: none"><li>1. Nettoyez les composants du barbecue.</li><li>2. Retirez le gras de la viande et utilisez des marinades qui ne sont pas faites à base d'huile.</li><li>3. Baissez la température en conséquence.</li></ol>

PROBLÈME	CAUSE POSSIBLE	SOLUTION
<p><b>Le brûleur ne s'allume pas avec une allumette.</b></p>	<ol style="list-style-type: none"> <li>1. L'allumette n'atteint pas les brûleurs (lorsque vous la tenez avec votre main).</li> <li>2. Bouteille vide.</li> <li>3. Mauvais raccordement entre le régulateur de la vanne et la bouteille.</li> <li>4. L'orifice du brûleur est bouché.</li> </ol>	<ol style="list-style-type: none"> <li>1. Utilisez le porte-allumettes qui se trouve sur le pied droit.</li> <li>2. Vérifiez le niveau du combustible et remplissez la bouteille au besoin.</li> <li>3. Tournez les boutons de commande en position d'arrêt, fermez la vanne située au sommet de la bouteille de propane et vérifiez le raccordement entre le régulateur de la vanne et la bouteille. Déconnectez et reconnectez la bouteille au besoin.</li> <li>4. Nettoyez l'orifice du brûleur (venturi) et le brûleur en suivant les directives à cet effet qui se trouvent dans la section « Entretien et maintenance » du présent guide.</li> </ol>
<p><b>Aucun débit de gaz ou débit de gaz obstrué.</b></p>	<ol style="list-style-type: none"> <li>1. La vanne de la bouteille n'est pas ouverte ou complètement ouverte.</li> <li>2. Bouteille vide.</li> <li>3. Mauvais raccordement entre le régulateur de la vanne et la bouteille.</li> <li>4. L'orifice du brûleur est bouché.</li> </ol>	<ol style="list-style-type: none"> <li>1. Ouvrez complètement la vanne de la bouteille en la tournant en sens antihoraire.</li> <li>2. Vérifiez le niveau du combustible et remplissez la bouteille au besoin.</li> <li>3. Tournez les boutons de commande en position d'arrêt, fermez la vanne située au sommet de la bouteille de propane et vérifiez le raccordement entre le régulateur de la vanne et la bouteille. Déconnectez et reconnectez la bouteille au besoin.</li> <li>4. Nettoyez l'orifice du brûleur (venturi) et le brûleur en suivant les directives à cet effet qui se trouvent dans la section « Entretien et maintenance » du présent guide.</li> </ol>

## **GARANTIE LIMITÉE**

---

### **Garantie limitée d'un an**

Ce barbecue au propane est garanti pendant un an (les brûleurs en acier inoxydable sont garantis pendant cinq ans) contre les pièces brisées ou endommagées au moment de l'achat. Il est garanti contre les défauts. La peinture est garantie contre les défauts, mais n'est pas garantie contre la rouille, qui pourrait apparaître après une utilisation répétée.

La garantie ne couvre pas les dommages et les problèmes causés par une négligence, une utilisation abusive ou des modifications apportées à l'appareil. La garantie ne couvre pas les coûts de main-d'œuvre.

Pour chaque pièce couverte par la garantie, une pièce de remplacement sera livrée sans frais selon la méthode choisie par le fabricant (livraisons par voie terrestre, service postal des États-Unis ou services de colis postaux UNIQUEMENT). Tous les frais de manutention spéciaux (p. ex. : deux jours, jour suivant, etc.) relèvent de la responsabilité du consommateur.

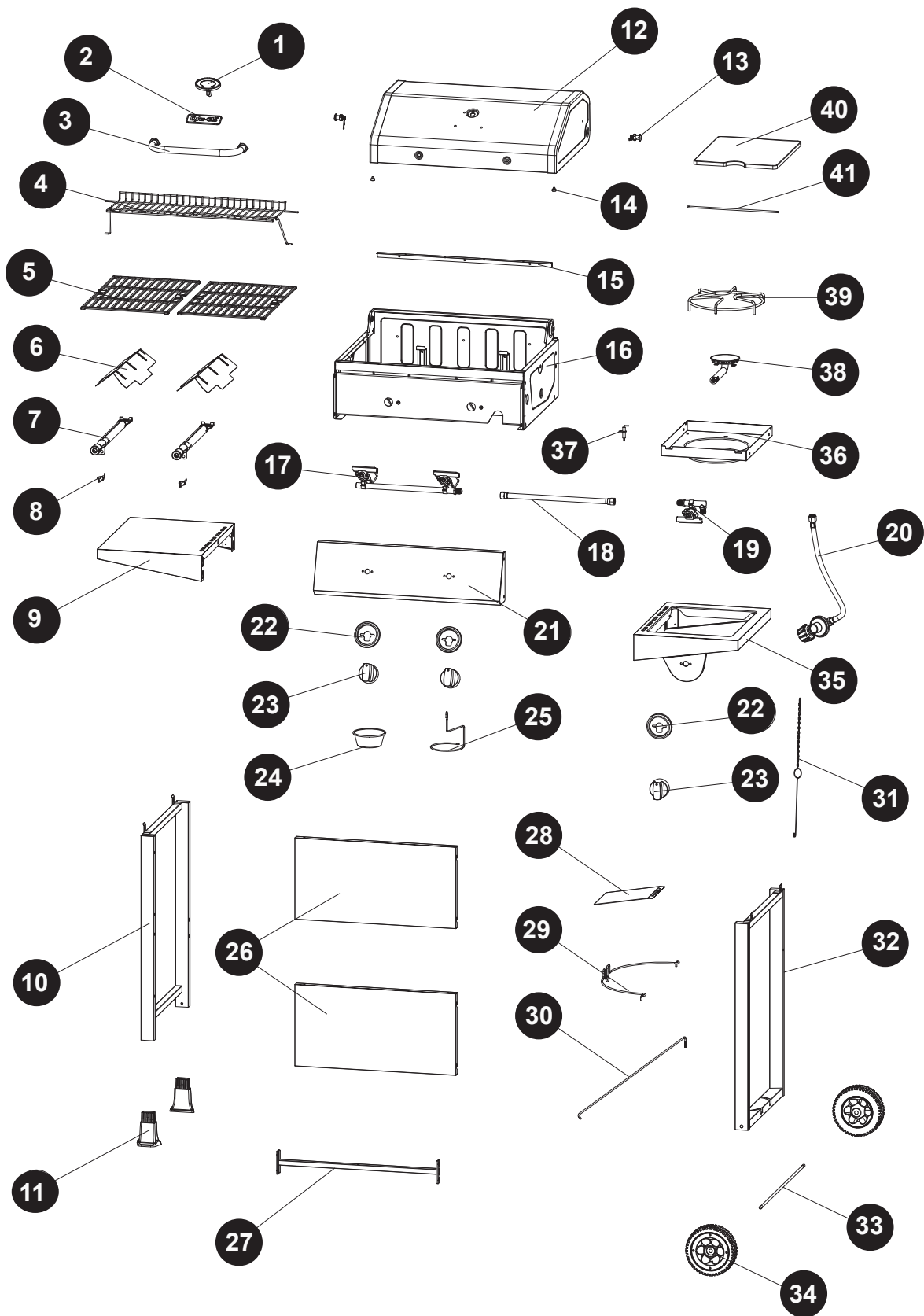
Toutes les réclamations sous garantie s'appliquent uniquement à l'acheteur initial du produit et nécessitent une preuve d'achat qui indique la date d'achat. Ne retournez aucune pièce sans avoir obtenu au préalable un numéro d'autorisation de retour de la part du service à la clientèle. Pour obtenir ce service, appelez sans frais au 1 877 447-4768, de 8 h 30 à 16 h 30 (HNC), du lundi au vendredi.

AVIS : Les lois en vigueur dans certains États, provinces ou territoires n'autorisent pas l'exclusion ou la limitation des dommages consécutifs ou indirects, ou encore, la limitation de la durée d'une garantie implicite et, par conséquent, les limitations et exclusions énoncées ci-dessus pourraient ne pas s'appliquer à vous. La présente garantie vous accorde des droits spécifiques reconnus par la loi et vous bénéficiez peut-être aussi d'autres droits reconnus par la loi, qui peuvent varier selon l'État, la province ou le territoire.

GHP Group, Inc.  
6440 W. Howard Street  
Niles, IL, USA  
60714-3302

Nom de l'article : Barbecue au propane à deux brûleurs avec brûleur latéral  
Numéro de modèle : DGF350CSP/DGF350CSP-D  
Puissance nominale en BTU du brûleur principal : 24 000 BTU/h  
Puissance nominale en BTU du brûleur latéral : 12 000 BTU/h

# LISTE DES PIÈCES DE RECHANGE



## LISTE DES PIÈCES DE RECHANGE

Pour des pièces de rechange, veuillez appeler le service à la clientèle au 1 877 447-4768, de 8 h 30 à 16 h 30 (HNC), du lundi au vendredi.

PIÈCE	DESCRIPTION	N° DE PIÈCE
1	Jauge de température	70-01-100
2	Insigne	70-01-540
3	Poignée du couvercle	70-01-632
4	Grille d'attente	70-01-633
5	Grille de cuisson	70-01-634
6	Plaque de rayonnement	70-01-635
7	Brûleur principal avec attache	70-01-636
8	Allumeur du brûleur principal	70-01-283
9	Plateau latéral gauche	70-01-637
10	Pied gauche	70-01-638
11	Capuchon du pied	70-01-639
12	Couvercle (avec plaque intérieure)	70-01-640
13	Charnière du couvercle (avec écrou, rondelle et attache)	70-01-641
14	Tampon du couvercle	70-01-176
15	Support de la grille de cuisson	70-01-642
16	Chambre de combustion (avec écran thermique et support du brûleur)	70-01-643
17	Assemblage des vannes principales et du collecteur	70-01-644
18	Tuyau ondulé	70-01-645
19	Vanne latérale	70-01-646
20	Assemblage du régulateur et du tuyau	70-01-647
21	Panneau de contrôle (en anglais seulement)	70-01-648
22	Collerette du bouton de commande	70-01-184
23	Bouton de commande	70-01-185
24	Récupérateur de graisse	70-01-650
25	Support du récupérateur de graisse	70-01-651
26	Panneau avant du chariot	70-01-652
27	Support arrière du chariot	70-01-653
28	Écran thermique de la bouteille	70-01-654
29	Fil de retenue de la bouteille	70-01-655
30	Barre de retenue de la bouteille	70-01-656
31	Porte-allumettes avec chaîne	70-01-204
32	Pied droit	70-01-657
33	Axe	70-01-658
34	Roue	70-01-659
35	Plateau latéral droit	70-01-660
36	Cuve du brûleur latéral	70-01-661
37	Allumeur du brûleur latéral	70-01-269
38	Bâti du brûleur latéral	70-01-662
39	Support du brûleur latéral	70-01-266
40	Couvercle du brûleur latéral	70-01-264
41	Tige du couvercle du brûleur latéral	70-01-265
S.O.	Guide d'instruction	70-10-640
S.O.	Trousse de matériel	70-09-523



# Dyna-Glo®

## PARRILLA CON 2 QUEMADORES Y QUEMADOR LATERAL PARA GAS PROPANO LÍQUIDO

Modelo n.º DGF350CSP/DGF350CSP-D

English p. 1

Français p. 31



**ADJUNTE AQUÍ SU RECIBO**

Número de serie \_\_\_\_\_ Fecha de compra \_\_\_\_\_



**¿Preguntas, problemas, piezas faltantes?** Antes de hacer una devolución a la tienda, llame a nuestro Departamento de Atención al Cliente al 1-877-447-4768, de lunes a viernes de 8:30 a. m. a 4:30 p. m. (hora central estándar), o escriba a [customerservice@ghpgroupinc.com](mailto:customerservice@ghpgroupinc.com).

## CONTENIDO

Información de seguridad .....	63
Contenido del embalaje .....	65
Herramientas y tornillería .....	66
Preparación .....	66
Instrucciones de ensamblaje .....	67
Instrucciones de uso .....	78
Cuidado y mantenimiento .....	83
Solución de problemas .....	86
Garantía limitada .....	88
Lista de piezas de repuesto .....	89

Ensamblador/instalador: Este manual contiene información importante, necesaria para ensamblar correctamente el electrodoméstico y utilizarlo de manera segura. Lea y respete todas las advertencias e instrucciones antes de ensamblar y utilizar este electrodoméstico. **Deje estas instrucciones en manos del consumidor.**

Consumidor/usuario: Respete todas las advertencias e instrucciones al utilizar el electrodoméstico. **Conserve estas instrucciones para consultarlas cuando sea necesario.**

### PELIGRO

**Si huele a gas:**

- 1. Apague el gas del electrodoméstico.**
- 2. Apague cualquier llama abierta.**
- 3. Abra la tapa.**
- 4. Si el olor continúa, manténgase alejado del electrodoméstico y llame inmediatamente a los bomberos.**

### ADVERTENCIA

- 1. No guarde ni utilice gasolina u otros líquidos o vapores inflamables cerca de este artefacto ni de ningún otro.**
- 2. Ningún tanque de gas propano líquido (LP) que no esté conectado para su uso debe almacenarse en los alrededores de este u otro electrodoméstico.**
- 3. Esta parrilla es para utilizar sólo al aire libre y no se debe emplear dentro de un edificio, garaje ni ningún otro espacio cerrado.**
- 4. No deje desatendida la parrilla cuando esté encendida. Asegúrese de que no haya niños ni animales domésticos cerca de la parrilla en ningún momento.**

## INFORMACIÓN DE SEGURIDAD

Lea y comprenda este manual por completo antes de intentar ensamblar, poner en funcionamiento o instalar el producto. Si tiene preguntas relacionadas con el producto, llame al Departamento de Atención al Cliente al 1-877-447-4768, de lunes a viernes de 8:30 a. m. a 4:30 p. m. (hora central estándar).

### PELIGRO

- No se puede utilizar en una atmósfera explosiva. Asegúrese de que no haya material combustible, gasolina ni otros vapores y líquidos inflamables en el lugar donde se encuentra la parrilla.



**ADVERTENCIA: LOS COMBUSTIBLES USADOS EN EQUIPOS PARA LICUAR GAS PROPANO, ASÍ COMO LOS PRODUCTOS DE SU COMBUSTIÓN, PUEDEN EXPONERTE A SUSTANCIAS QUÍMICAS, ENTRE ELLAS EL BENCENO, QUE EL ESTADO DE CALIFORNIA RECONOCE COMO CAUSA DE CÁNCER Y DE MALFORMACIONES CONGÉNITAS Y OTROS DAÑOS AL SISTEMA REPRODUCTOR.**  
*Para más información, visite [www.P65Warnings.ca.gov](http://www.P65Warnings.ca.gov)*

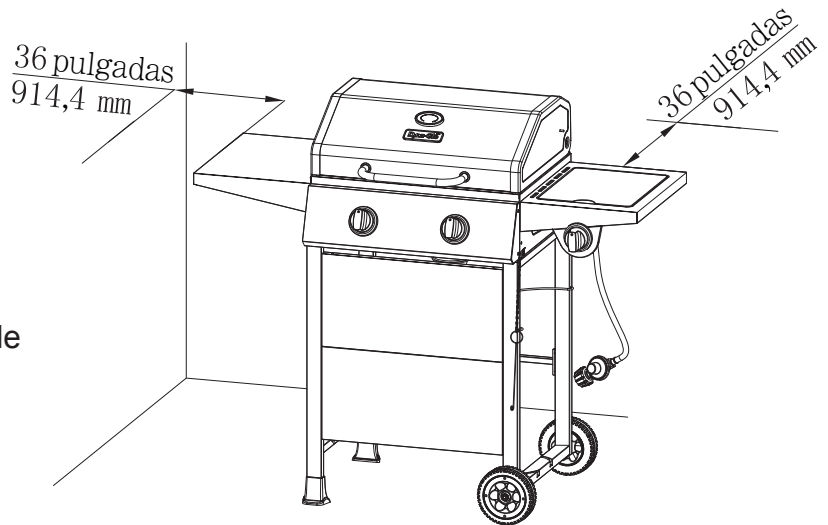
### PRECAUCIÓN

- Nunca utilice carbón o líquidos combustibles en la parrilla.
- No utilice gasolina, kerosén ni alcohol para encenderla.
- El tanque de gas propano que se utiliza con este electrodoméstico debe:
  - (a) Estar fabricado y marcado de acuerdo con las especificaciones para tanques de gas del Departamento de Transporte (DOT) de EE. UU. o con las normas nacionales de Canadá, CAN/CSA-B339, Tanques, esferas y tubos para el transporte de mercancías peligrosas; y de la Comisión, según corresponda;
  - (b) Estar provisto de un dispositivo de protección contra sobrellenado registrado;
  - (c) Estar equipado con un dispositivo de conexión de tanque compatible con el conector para electrodomésticos para cocinar en exteriores. Esta parrilla no está diseñada para ser instalada o utilizada en interiores ni sobre embarcaciones o casas rodantes.
- Nunca deje un tanque de gas propano lleno en un auto caliente ni en el maletero de un auto. El calor hará que aumente la presión del gas, lo cual puede abrir la válvula de escape y dejar que se escape el gas.
- Siempre abra la tapa de la parrilla con cuidado y lentamente, ya que el calor y el vapor atrapados en el interior pueden ocasionarle una quemadura grave.

## **! ADVERTENCIA**

- No coloque la parrilla debajo de toldos o estructuras combustibles. La distancia mínima desde los laterales y la parte trasera de la unidad hasta una estructura combustible debe ser de 36 pulgadas (914,4 mm).

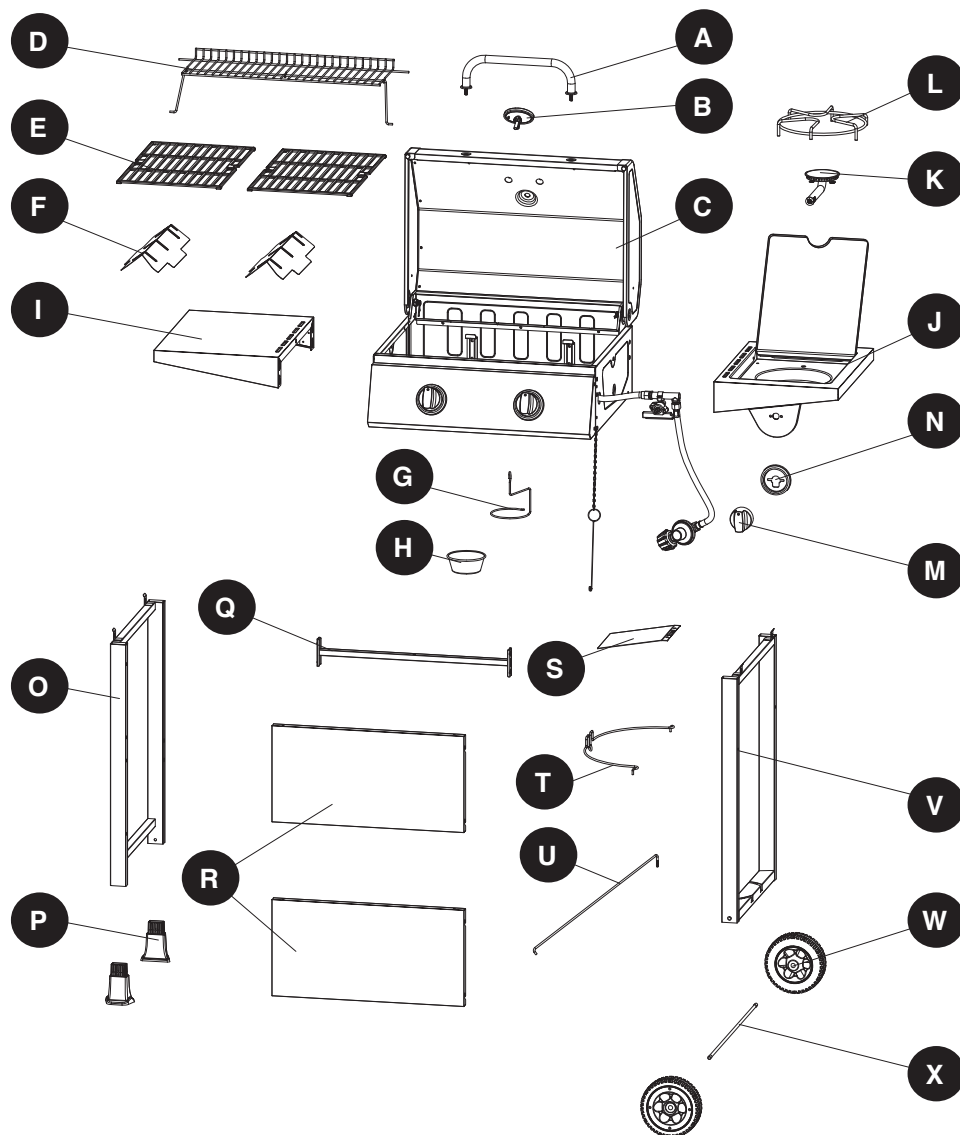
NOTA: La instalación debe cumplir con los códigos locales o, en ausencia de códigos locales, con el Código Nacional de Gas Combustible ANSI A223.1/NFPA54, el Código de Instalación de Gas Natural y Propano CSA B149.1 o el Código de Almacenamiento y Manipulación de propano B149.2.



## **! PRECAUCIÓN**

- No guarde ni utilice gasolina u otros líquidos o vapores inflamables cerca de este electrodoméstico ni de ningún otro.
- Ningún tanque de gas propano que no esté conectado para su uso debe almacenarse en los alrededores de este u otro electrodoméstico.
- Esta parrilla es para utilizar solamente con gas propano (el tanque de gas propano no está incluido).
- Nunca intente conectar esta parrilla al sistema de gas propano independiente de un barco, un remolque o una casa rodante.
- No intente mover la parrilla cuando esté caliente o en uso. Las ruedecillas deben permanecer bloqueadas cuando no esté desplazando la parrilla.
- No use la parrilla a menos que esté **COMPLETAMENTE** ensamblada y todas las piezas estén sujetadas y ajustadas correctamente.
- Mantenga en todo momento una distancia de, por lo menos, 36 pulgadas (91,44 cm) entre la parrilla y elementos o superficies combustibles.
- No toque las piezas metálicas de la parrilla hasta que no estén frías por completo (después de aproximadamente 45 minutos) para evitar quemaduras, a menos que esté usando protección personal (agarraderas, guantes, manoplas para asar, etc.).
- No realice ningún tipo de modificación en esta parrilla.
- Limpie e inspeccione la manguera antes de cada uso. Si hay alguna evidencia de abrasión, desgaste, cortes o fugas, se debe reemplazar la manguera antes de poner en funcionamiento el electrodoméstico. El conjunto de la manguera de repuesto será el especificado por el fabricante.
- Coloque las mangueras de gas lo más lejos posible de superficies calientes y del lugar donde gotee grasa caliente.
- Mantenga la limpieza del compartimento de válvulas, los quemadores y los pasajes de circulación de aire. Inspeccione la parrilla antes de cada uso. No obstruya el flujo de gas ni el flujo de aire de ventilación.
- El consumo de alcohol y de medicamentos recetados o no recetados podría afectar la capacidad del usuario para ensamblar correctamente la parrilla o manipularla sin riesgos.
- **No deje desatendida la parrilla cuando esté encendida. Asegúrese de que no haya niños ni animales domésticos cerca de la parrilla en ningún momento.**
- No debe colocar esta parrilla sobre ningún tipo de superficie de mesa. Debe colocarla sobre una superficie plana y nivelada.
- No use la parrilla cuando haya mucho viento.

## CONTENIDO DEL EMBALAJE



PIEZA	DESCRIPCIÓN	CANT.	PIEZA	DESCRIPCIÓN	CANT.
A	Manija de la tapa	1	M	Perilla de control	1
B	Indicador de temperatura	1	N	Bisel de la perilla de control	1
C	Conjunto del cuerpo de la parrilla	1	O	Conjunto de patas izquierdas	1
D	Rejilla para calentar	1	P	Capuchón de la pata	2
E	Rejilla para cocinar	2	Q	Soporte trasero del carro	1
F	Protector térmico	2	R	Panel frontal del carro	2
G	Soporte de la grasera	1	S	Pantalla térmica del tanque de gas propano	1
H	Grasera	1	T	Alambre de retención del tanque de gas propano	1
I	Conjunto de la mesa del lado izquierdo	1	U	Barra de fijación del tanque	1
J	Conjunto del cuerpo del quemador del lado derecho	1	V	Conjunto de patas derechas	1
K	Quemador lateral	1	W	Rueda	2
L	Rejilla del quemador lateral	1	X	Eje	1

## HERRAMIENTAS Y TORNILLERÍA

AA



Tornillo  
ST4.8x10

Cant. 2

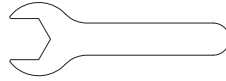
BB



Tuerca  
M8

Cant. 2

CC



Llave  
inglesa  
M8

Cant. 2

DD



Perno  
M5x14

Cant. 14

EE



Tuerca  
mariposa  
M5

Cant. 1

FF



Tuerca  
mariposa  
M6

Cant. 2

GG



Arandela  
de resorte  
M6

Cant. 2

HH



Arandela  
M6

Cant. 2

II



Perno  
M6x16

Cant. 14

JJ



Perno  
M4x10

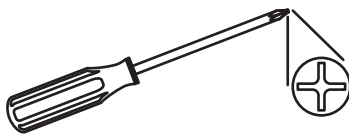
Cant. 4

## PREPARACIÓN

Antes de comenzar el ensamblaje de este producto, asegúrese de que estén todas las piezas. Compare las piezas con la lista de contenido del embalaje de la página anterior y el contenido de tornillería y herramientas de arriba. Si falta alguna pieza o está dañada, no intente ensamblar el producto. Comuníquese con el servicio de atención al cliente para solicitar piezas de repuesto.

**Tiempo estimado de ensamblaje:** 50 minutos entre 2 personas.

**Herramientas requeridas para el ensamblaje y la prueba de detección de fugas (no incluidas):**  
Destornillador Phillips, botella con atomizador, pinza, llave ajustable



## ⚠ PRECAUCIÓN

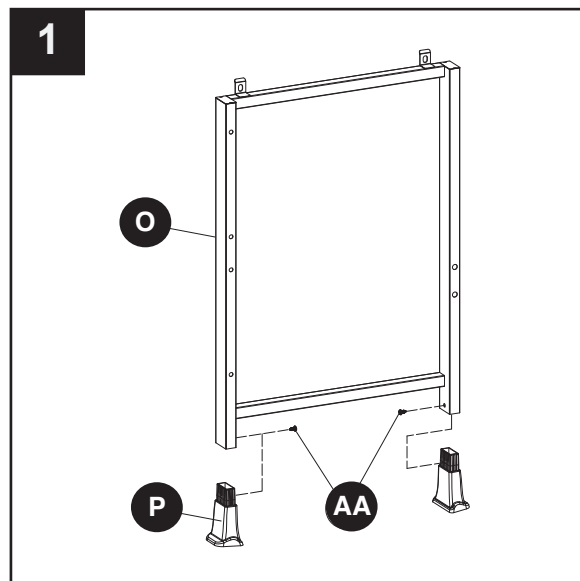
**ESTA UNIDAD ES PESADA. Se necesitan dos personas para realizar un ensamblaje seguro.** Se necesitan dos personas para realizar un ensamblaje seguro. Algunas piezas pueden tener bordes afilados. Utilice guantes de protección si es necesario. Lea y siga todas las recomendaciones de seguridad, advertencias, instrucciones de ensamblaje e instrucciones de uso y cuidado antes de intentar ensamblar y usar la unidad.

## INSTRUCCIONES DE ENSAMBLAJE

1. Coloque dos capuchones para las patas (P) debajo del conjunto de las patas izquierdas (O) y ajústelos con dos tornillos ST4.8X10 (AA).

### Herramientas y tornillería utilizadas

**AA** Tornillo ST4.8x10  x 2

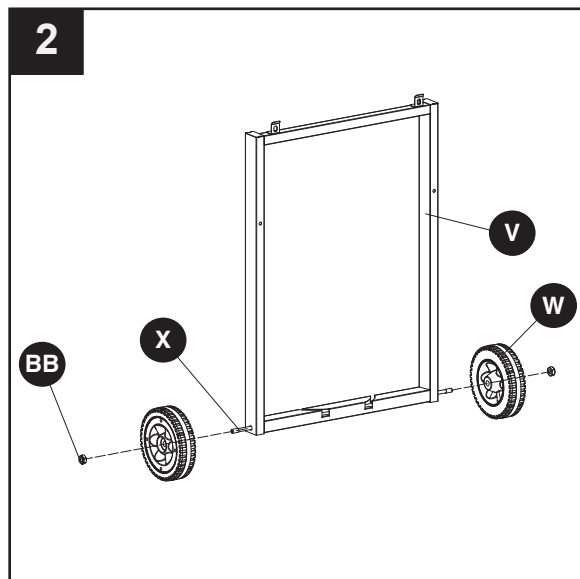


2. Inserte el eje (X) en el conjunto de las patas derechas (V) y luego coloque las ruedas (W) en ambos lados. Use la llave inglesa M8 (CC) para ajustar las ruedas con las tuercas M8 (BB). Tenga en cuenta que para completar este paso, debe haber dos personas. Si es necesario, se puede utilizar otra pinza o llave ajustable para el ensamblaje.

### Herramientas y tornillería utilizadas

**BB** Tuerca M8  x 2


**CC** Llave inglesa M8  x 2

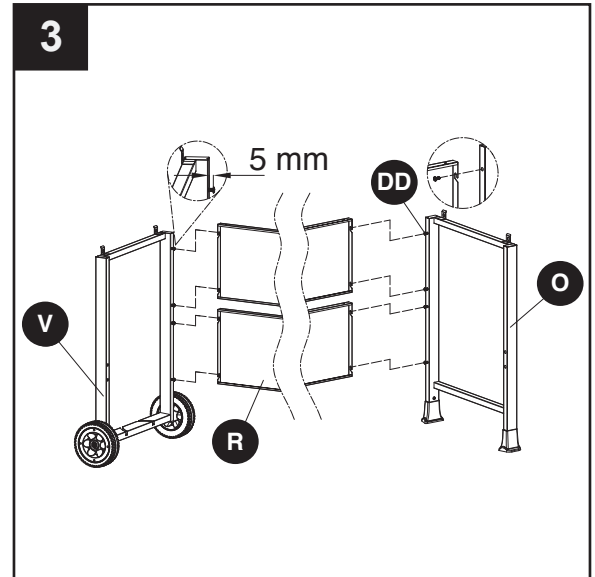


## INSTRUCCIONES DE ENSAMBLAJE

3. Coloque ocho pernos M5x14 (DD) en el conjunto de las patas izquierdas (O) y el conjunto de las patas derechas (V) sin ajustarlos y asegúrese de dejar un espacio libre de 5 mm entre el perno y la pata. Cuelgue uno de los paneles frontales (R) sobre el de abajo, cuelgue el otro panel frontal (R) en el de arriba y luego ajuste todos los pernos.


### Herramientas y tornillería utilizadas

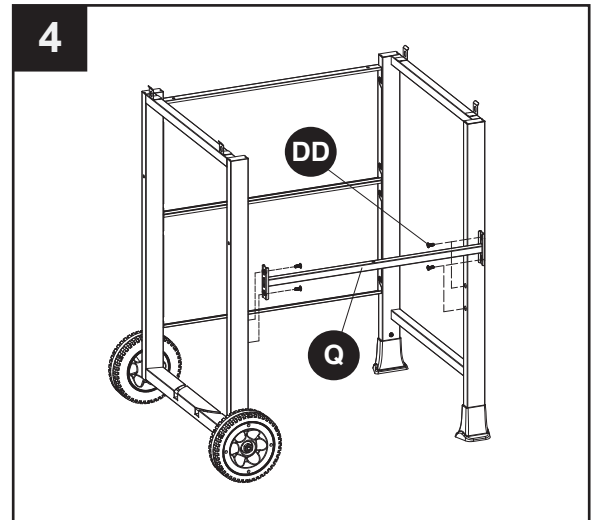
**DD** Perno M5x14  x 8



4. Use cuatro pernos M5x14 (DD) para ajustar el soporte trasero del carro (Q) a los conjuntos de patas derechas e izquierdas.

### Herramientas y tornillería utilizadas

**DD** Perno M5x14  x 4



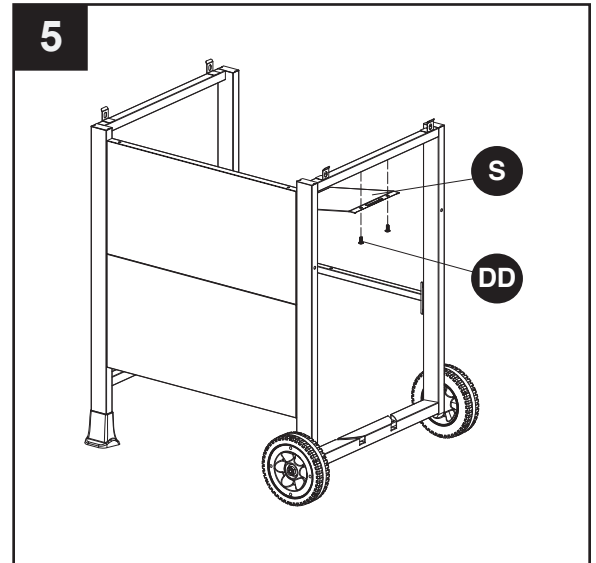


## INSTRUCCIONES DE ENSAMBLAJE

5. Use dos pernos M5x14 (DD) para colocar la pantalla térmica del tanque de gas propano (S) en el conjunto de las patas derechas.

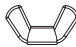
### Herramientas y tornillería utilizadas

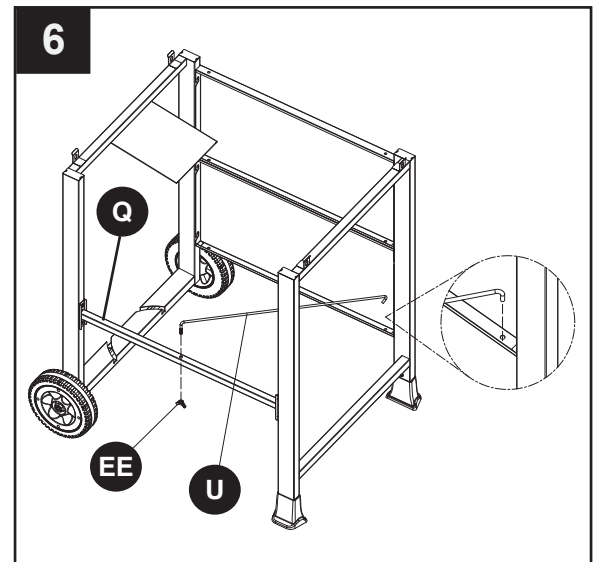
**DD** Perno M5x14  x 2



6. Inserte un extremo de la barra de fijación del tanque (U) en el orificio del panel frontal del carro que se encuentra en la parte inferior. Luego inserte el otro extremo roscado de la barra en el tirante de soporte trasero del carro (Q). Use una tuerca mariposa M5 (EE) para ajustar la barra de fijación del tanque (U) en el tirante de soporte trasero del carro (Q).

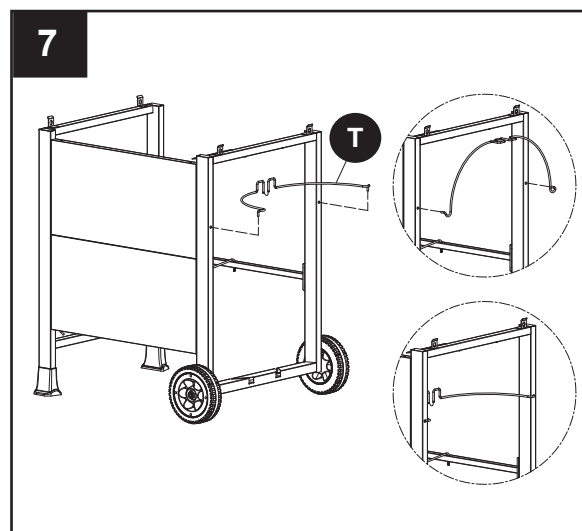
### Herramientas y tornillería utilizadas

**EE** Tuerca mariposa M5  x 1



## INSTRUCCIONES DE ENSAMBLAJE

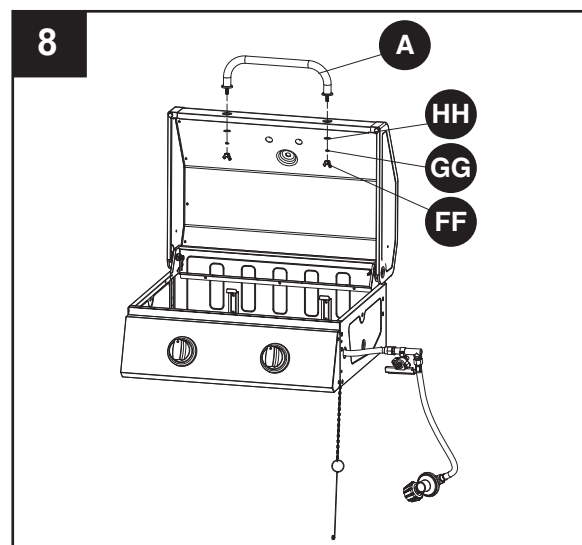
7. Fije el alambre de retención del tanque de gas propano (T) al conjunto de las patas derechos.



8. Ajuste la manija de la tapa (A) a la tapa con dos tuercas mariposa M6 (FF) y dos arandelas de resorte M6 (GG) y dos arandelas M6 (HH).

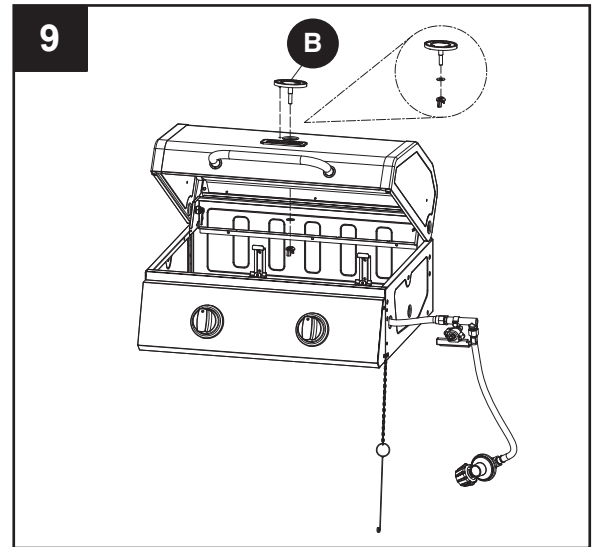
### Herramientas y tornillería utilizadas

<b>FF</b>	Tuerca mariposa M6		x 2
<b>GG</b>	Arandela de resorte M6		x 2
<b>HH</b>	Arandela M6		x 2

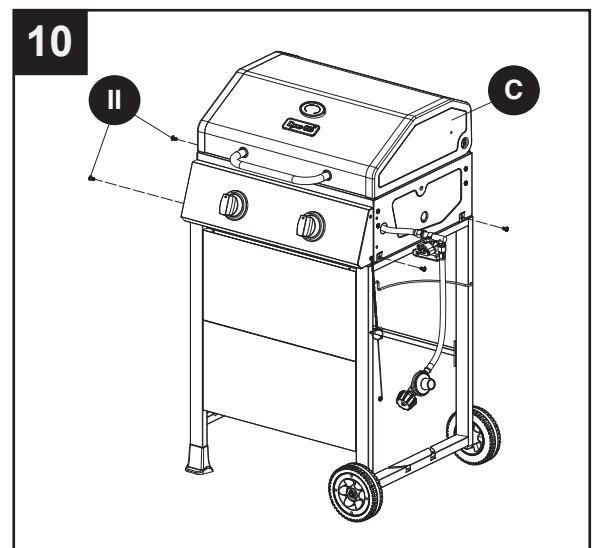


## INSTRUCCIONES DE ENSAMBLAJE


9. Coloque el indicador de temperatura (B) en la tapa. Use la arandela y la tuerca mariposa ensambladas previamente en el indicador de temperatura para fijarlo a la tapa.



10. Use cuatro pernos M6x16 (II) para fijar el conjunto del cuerpo de la parrilla (C) sobre el conjunto del carro. Tenga en cuenta que se necesitan dos personas para poder levantar el conjunto del cuerpo de la parrilla.




### Herramientas y tornillería utilizadas

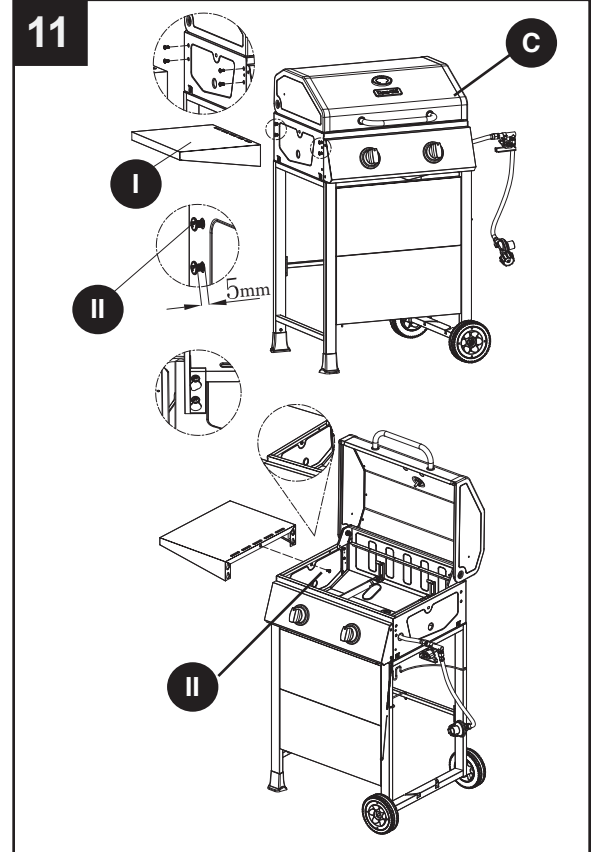
II Perno M6x16  x 4

## INSTRUCCIONES DE ENSAMBLAJE

11. Inserte cuatro pernos M6x16 (II) en el conjunto del cuerpo de la parrilla (C) sin ajustarlos, y asegúrese de dejar un espacio libre de 5 mm entre el perno y la cubierta del cuerpo de la parrilla. Luego cuelgue el conjunto de la mesa del lado izquierdo (I) en los pernos y fíjelo con un perno M6x16 (II) y ajuste todos los pernos.

### Herramientas y tornillería utilizadas

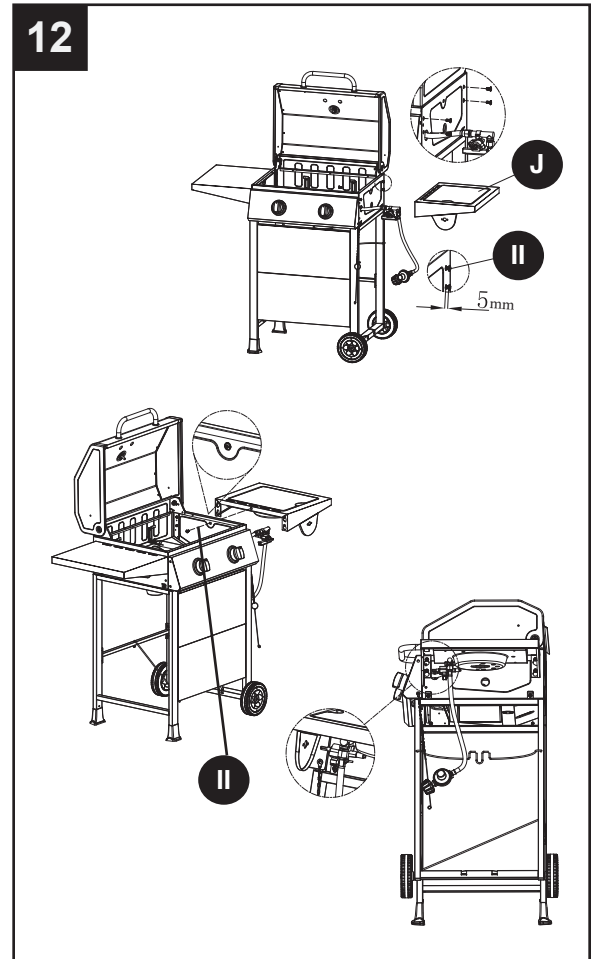
II Perno M6x16  x 5



12. Inserte cuatro pernos M6x16 (II) en el conjunto del cuerpo de la parrilla (C) sin ajustarlos, y asegúrese de dejar un espacio libre de 5 mm entre el perno y la cubierta del cuerpo de la parrilla. Luego cuelgue el conjunto del cuerpo del quemador del lado derecho (J) en los pernos y fíjelo con un perno M6x16 (II) y ajuste todos los pernos.

### Herramientas y tornillería utilizadas

II Perno M6x16  x 5

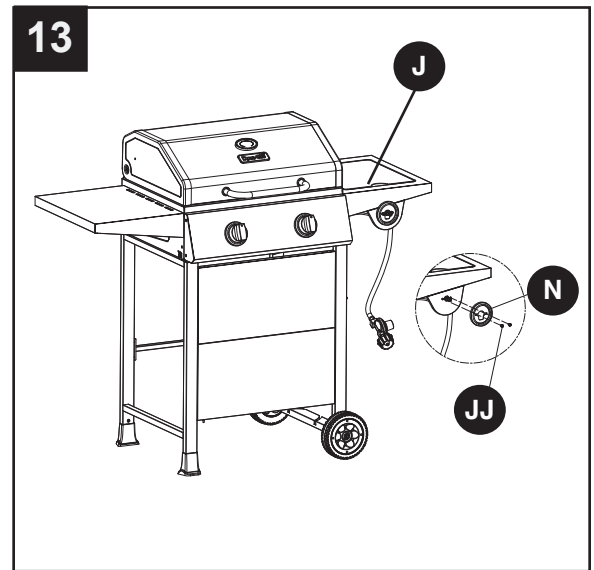


## INSTRUCCIONES DE ENSAMBLAJE

13. Use dos pernos M4x10 (JJ) para fijar el conjunto de válvulas del quemador lateral y el bisel de la perilla de control (N) al conjunto del cuerpo del quemador del lado derecho (J).

### Herramientas y tornillería utilizadas

**JJ** Perno M4x10  x 2



14. Use dos pernos M4x10 (JJ) para fijar el conjunto del quemador lateral (N) al conjunto del cuerpo del quemador del lado derecho (J). Verifique que el orificio de la válvula de gas esté posicionado correctamente dentro de la entrada del quemador lateral (Venturi).



Correcto



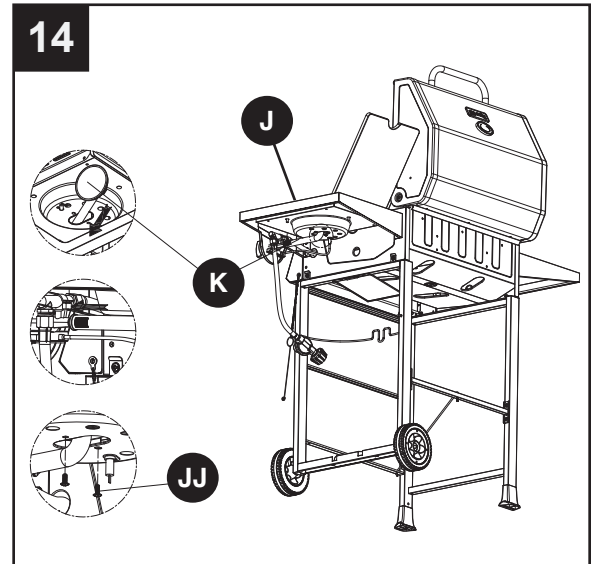
Incorrecto



Incorrecto

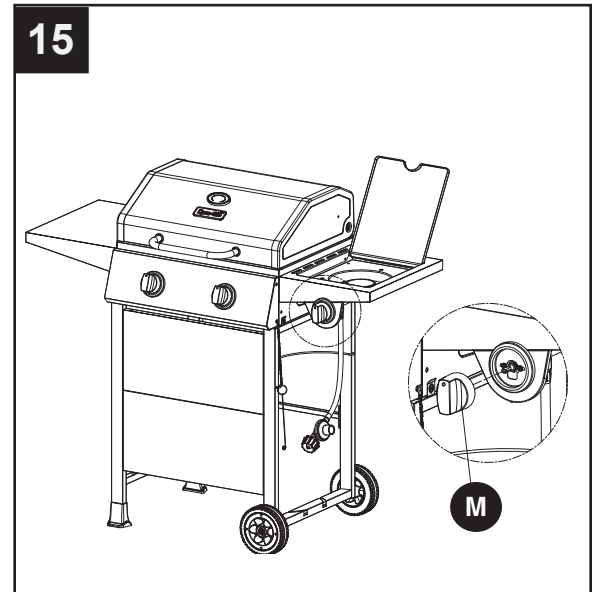
### Herramientas y tornillería utilizadas

**JJ** Perno M4x10  x 2



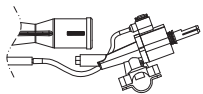
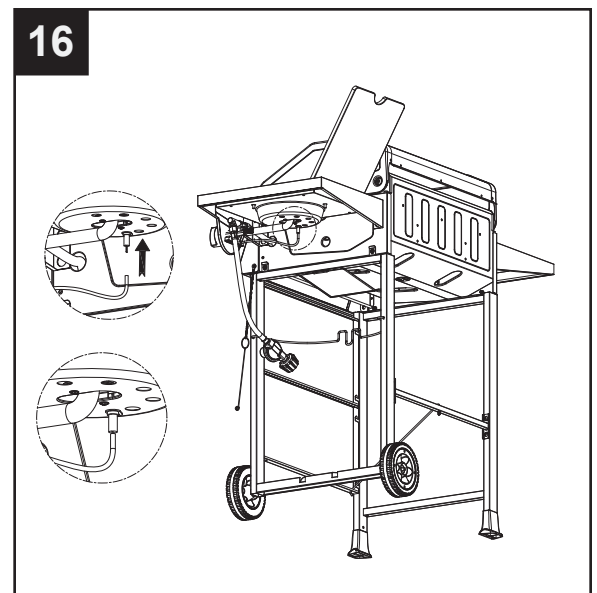
## INSTRUCCIONES DE ENSAMBLAJE

15. Inserte la perilla de control (M) en el vástago de la válvula del quemador lateral.

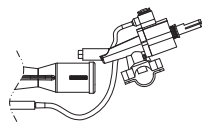


16. Conecte el cable del encendedor en el electrodo del quemador lateral.

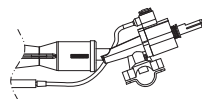
**!** ADVERTENCIA: ES MUY IMPORTANTE VERIFICAR Y GARANTIZAR QUE CADA UNO DE LOS QUEMADORES ESTÉ COMPLETAMENTE CONECTADO AL ORIFICIO DE LA VÁLVULA ADYACENTE ANTES DE COMPLETAR EL PASO 17. DE NO HACERLO, PODRÍA PRODUCIRSE UN INCENDIO O UNA EXPLOSIÓN, LO QUE PUEDE PROVOCAR LESIONES GRAVES O LA MUERTE. CONSULTE LAS INSTRUCCIONES DE LA SECCIÓN DE MANTENIMIENTO PARA VERIFICAR QUE LA CONEXIÓN ESTÉ HECHA CORRECTAMENTE.



Incorrecto



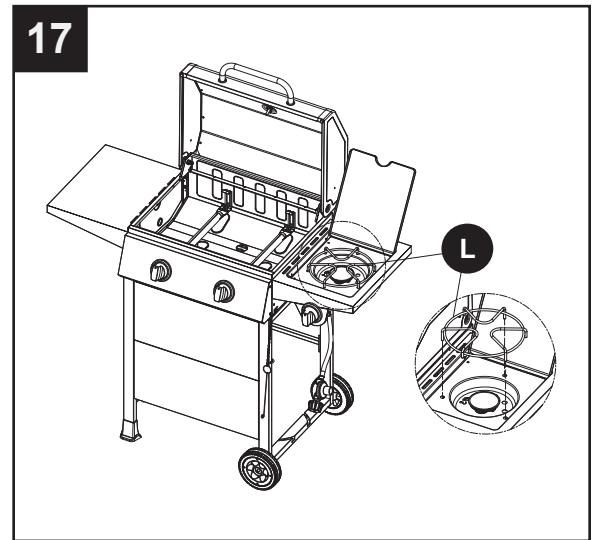
Incorrecto



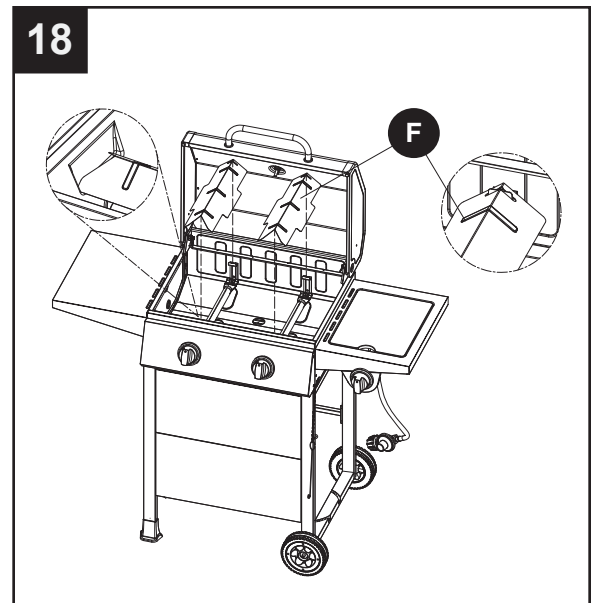
Correcto

## INSTRUCCIONES DE ENSAMBLAJE

17. Coloque la rejilla del quemador del lado derecho (L) en su lugar.

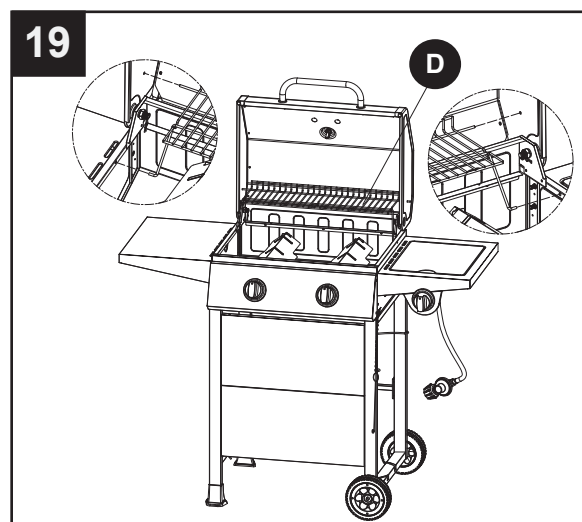


18. Coloque los dos protectores térmicos (F) en su lugar sobre cada quemador.

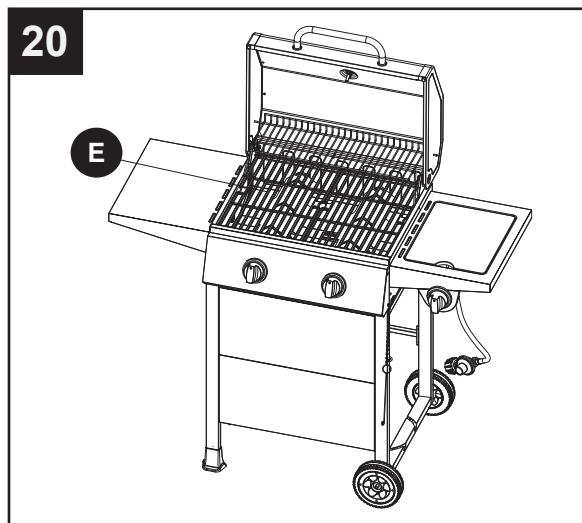


## INSTRUCCIONES DE ENSAMBLAJE

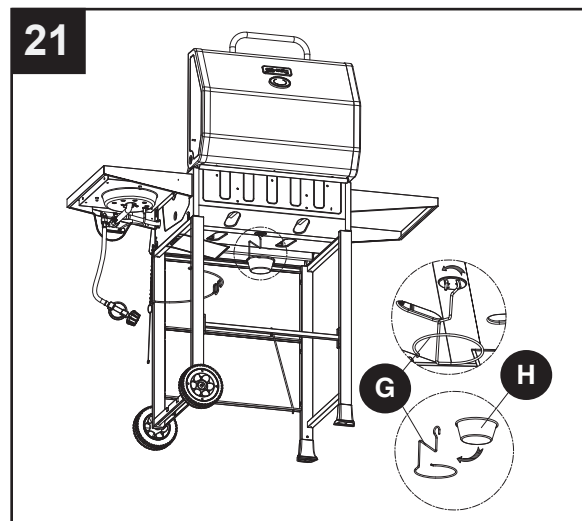
19. Coloque una rejilla para calentar (D) en su lugar.



20. Coloque dos rejillas para cocinar (E) en su lugar.



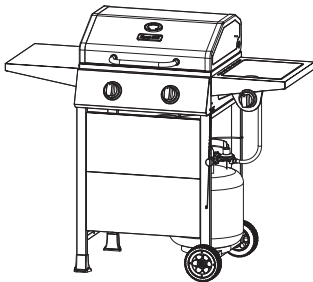
21. Posicione la grasera (H) sobre el soporte de la grasera (G) y luego insértelo en la parte inferior del cuerpo de la parrilla.





## INSTRUCCIONES DE ENSAMBLAJE

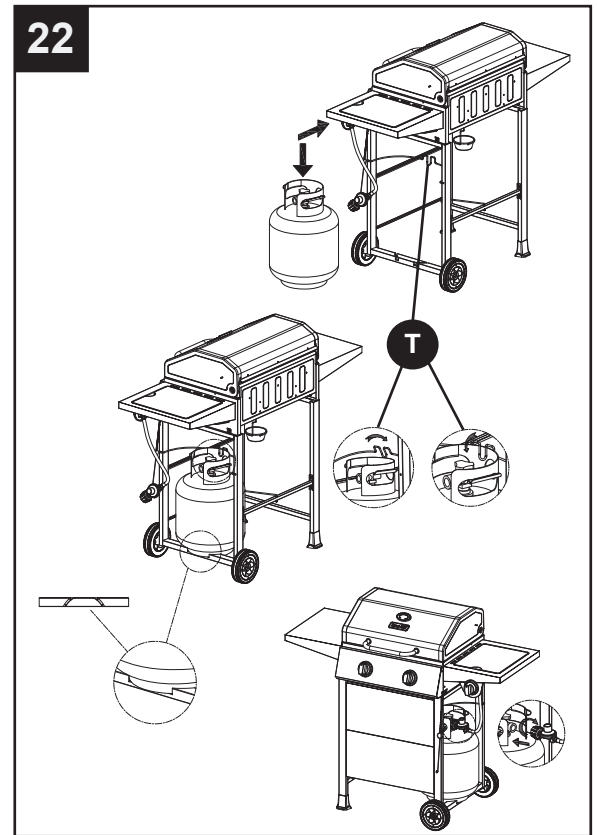
22. Inserte el tanque de gas (se vende por separado) en posición vertical en las muescas del conjunto de las patas derechas, de manera que la válvula del tanque quede del lado de la conexión de la tubería de gas. Fije el tanque de gas deslizando el alambre de retención del tanque de gas propano (T) sobre el collarín del tanque de gas. Ajuste con la mano el acoplamiento entre la manguera y el regulador en la válvula roscada del tanque de gas propano.



Vista frontal



Vista trasera



## INSTRUCCIONES DE USO

---

### VERIFICACIÓN DE FUGAS

Una vez que todas las conexiones estén listas, compruebe, con una solución de agua y jabón, que no haya fugas en ninguna de las conexiones y en ninguno de los ajustes en la válvula del tanque de gas de propano, manguera de gas y regulador.

Para prevenir incendio o explosión cuando esté comprobando que no haya fugas:

- Siempre verifique que no haya fugas antes de encender la parrilla.
- No fume mientras comprueba que no hay una fuga.
- Siempre realice las pruebas de fugas al aire libre en un área bien ventilada.
- No utilice ninguna fuente de fuego mientras verifica que no haya fugas.
- No utilice la parrilla hasta que todas y cada una de las fugas hayan sido corregidas.
- Si no puede corregir una fuga, desconecte el suministro de propano y llame al servicio técnico de un distribuidor de electrodomésticos de gas.

### REALIZAR LA PRUEBA DE FUGAS

- Prepare la solución para detección de fugas con lavavajillas líquido y agua en partes iguales. Se requiere aproximadamente un total de 2 a 3 onzas (70 - 90 ml). Coloque la solución para detección de fugas en una botella con atomizador.
- Verifique que todas las perillas de control estén en la posición **O** de apagado.
- Conecte la manguera de gas al suministro de gas.
- Abra la válvula del tanque de gas propano líquido.
- Rocíe la solución para detección de fugas en todos los ajustes y las conexiones por donde pase gas. La presencia de burbujas en los lugares donde se aplicó la solución de prueba indica que hay una fuga de gas. Si detecta fugas o bien, si huele gas o escucha el silbido de una fuga, cierre de inmediato la válvula de suministro de gas y repare o reemplace la pieza defectuosa. No utilice la parrilla hasta que todas las fugas hayan sido corregidas.

## **⚠ PRECAUCIÓN**

**¡Use solamente el regulador y el conjunto de la manguera provistos!** Si necesita un repuesto, llame a nuestro centro de atención al cliente. No utilice piezas de repuesto que no estén diseñadas para esta parrilla.

## **⚠ ADVERTENCIA**

**SE DEBEN RESPETAR TODAS LAS INSTRUCCIONES Y MEDIDAS PREVENTIVAS DE ESTA PÁGINA PARA EVITAR INCENDIOS, DAÑOS Y/O LESIONES.**

## INSTRUCCIONES DE USO

### CONECTAR EL TANQUE DE GAS

El tanque para el suministro de gas propano que se vaya a utilizar debe estar fabricado y marcado de acuerdo con las especificaciones para los tanques de gas propano del Departamento de Transporte de los Estados Unidos (D.O.T.) o las normas nacionales de Canadá CAN/CSA-B339, Tanques, esferas y tubos para el transporte de mercancías peligrosas; y de la Comisión, según corresponda, y provisto de un dispositivo de protección contra sobrellenado registrado.

Use solamente tanques de 20 libras (altura: 18,11 pulgadas, diámetro del tanque: 9,84 pulgadas, diámetro de la base: 8,03 pulgadas) equipados con un dispositivo de conexión de tanque compatible con el conector para electrodomésticos para cocinar en exteriores.

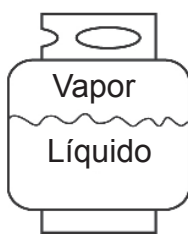
El tanque debe incluir un collarín para proteger su válvula. ¡El tanque de gas no debe dejarse caer ni manipularse bruscamente!

Si el electrodoméstico no está en uso, el tanque de gas debe estar desconectado. El almacenamiento de un electrodoméstico en interiores se permite SOLAMENTE si el tanque está desconectado y removido del electrodoméstico. Los tanques deben ser almacenados al aire libre fuera del alcance de los niños y no deben ser almacenados en edificios, garajes ni áreas cerradas. El tanque no debe almacenarse en lugares donde las temperaturas puedan alcanzar más de 125 °F.

Coloque un tapón antipolvo sobre la salida de la válvula del tanque siempre que este no esté en uso. En la salida de la válvula del tanque solamente instale el tipo de tapón antipolvo que se suministra con la válvula del tanque. Otros tipos de tapas o taponos pueden causar fugas de propano.

Antes de conectar, asegúrese de que no haya suciedad atrapada en la salida del tanque de gas, en la salida de la válvula de regulación o en la salida del quemador y los puertos del quemador. Conecte la válvula de regulación y ajústela firmemente con la mano. Mantenga la válvula del tanque de gas propano cerrada y desconecte el tanque de la válvula de regulación cuando la parrilla no esté en uso.

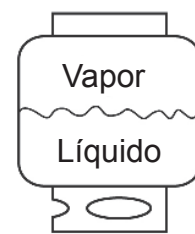
NO obstruya la circulación del aire de combustión ni la ventilación de aire de la parrilla. El tanque de propano debe colocarse de tal manera que permita la liberación de vapor y debe estar equipado con un dispositivo de protección contra sobrellenado que esté registrado. Coloque el tanque en la orientación correcta para que se libere el vapor. NOTA: El tanque debe estar completamente en posición vertical para que el tanque libere únicamente vapor.



Correcto



Incorrecto



Incorrecto

## ⚠ PRECAUCIÓN

- No almacene un tanque de gas propano de repuesto debajo o cerca de este electrodoméstico.
- Nunca llene el tanque por encima del 80 % de su capacidad.
- Si no se sigue exactamente la información contenida en (a) y (b), puede producirse un incendio y ocasionar la muerte o lesiones graves.



## INSTRUCCIONES DE USO

**NOTA:** Otros tanques podrían ser aceptados para su uso con este electrodoméstico siempre y cuando sean compatibles con el receptáculo y sistema de fijación del electrodoméstico. Consulte el paso 22 de las Instrucciones de ensamblaje para ver cómo es la conexión correcta entre el tanque y el soporte del tanque.



# ⚠ ADVERTENCIA

**SE DEBEN RESPETAR TODAS LAS INSTRUCCIONES Y MEDIDAS PREVENTIVAS DE ESTA PÁGINA PARA EVITAR INCENDIOS, DAÑOS Y/O LESIONES.**

### CONEXIÓN DEL TANQUE DE GAS PROPANO

1. La perilla del tanque de gas propano debe estar cerrada. Asegúrese de que la perilla esté completamente girada hacia la derecha . El sistema de suministro del tanque debe disponer de liberación de vapor.
2. Verifique que la perilla de control en la unidad de control esté cerrada.
3. Quite el tapón protector de la válvula del tanque y la tuerca de acoplamiento.
4. Sujete el regulador en una mano e inserte la boquilla roscada en la salida de la válvula. Asegúrese de que la boquilla esté centrada en la salida de la válvula. La tuerca de acoplamiento se conecta a las roscas grandes exteriores en la salida de la válvula. Tenga cuidado de no dañar ni colocar descentradas las roscas de la conexión.
5. Apriete la tuerca de acoplamiento con la mano girando hacia la derecha  hasta que se detenga completamente. Apriete bien, únicamente con la mano. No utilice herramientas.



**Para desconectar:** Cierre completamente la válvula del tanque girando hacia la derecha . Gire la tuerca de acoplamiento hacia la izquierda  hasta que se separe el ensamblaje del regulador.

# ⚠ ADVERTENCIA

**Durante el proceso de conexión, asegúrese de que:**

- el conector de la entrada del regulador se acople con la salida de la válvula del tanque correcta, segura y firmemente, y;
- la manguera de gas propano no esté en contacto ni quede en contacto con el conjunto del quemador.

## INSTRUCCIONES DE USO

---

### Encender la parrilla

#### Antes de utilizar la unidad por primera vez:






Quite todas las presillas o las fajas de plástico, si están presentes. Es importante que limpie su nueva parrilla a gas con calor antes de utilizarla por primera vez. Para esto, ponga en funcionamiento la parrilla durante aproximadamente 15 minutos, con la tapa cerrada, y la perilla de control en la posición de llama máxima. De esta manera, se limpiarán las piezas internas al quemar los residuos y olores que queden del proceso de fabricación.


## ⚠ PRECAUCIÓN

**Si la llama se apaga accidentalmente durante el encendido o durante el funcionamiento, CIERRE inmediatamente la válvula del tanque y luego APAGUE la perilla de control.**

## ⚠ ADVERTENCIA

**No se apoye sobre la parrilla cuando la esté encendiendo. Lea las instrucciones antes de encenderla.**

1. Verifique que todas las perillas de control estén en la posición  de apagado.
2. Abra completamente la válvula del tanque girándola  hacia la izquierda.
3. Abra la tapa durante el procedimiento de encendido.
4. Oprima la perilla de control y gírela hacia la izquierda  desde la posición de apagado, pasando por la posición de encendido  hasta la posición de llama máxima . Es posible que este proceso deba repetirse varias veces para encender el quemador.

Si este no se enciende en 5 segundos, ponga el control en posición de apagado , espere 5 minutos y repita el procedimiento de encendido.

Si el quemador no se enciende, verifique que haya gas en el tanque y siga las instrucciones de encendido con un fósforo. Consulte la Guía de solución de problemas en la página 86 para obtener más información.

## INSTRUCCIONES DE USO

### ENCENDER LA PARRILLA CON UN FÓSFORO

1. Abra la tapa.
2. Inserte un fósforo en el extremo del portafósforo que está instalado en el conjunto de las patas derechas.
3. Encienda el fósforo.
4. Coloque inmediatamente el fósforo encendido en las rejillas de la parrilla, cerca de los puertos del quemador, entre los protectores térmicos, tal como se ilustra. Asegúrese de que el fósforo encendido esté cerca de los puertos del quemador.
5. Presione la perilla de control que acciona el quemador y gírela hacia la izquierda ↶ hasta la posición de llama máxima 🔥. El quemador debería encenderse de inmediato.
6. Repita los pasos 2 a 5 para encender el resto de los quemadores.
7. Ajuste los quemadores a los valores de cocción deseados.

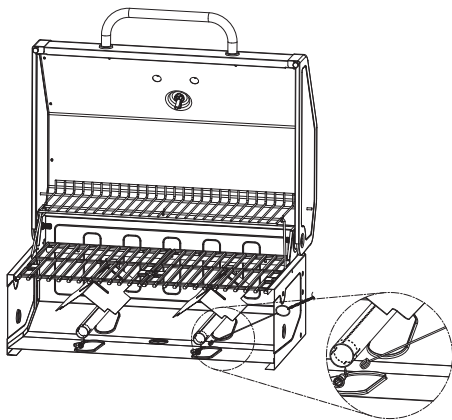
## ⚠ PRECAUCIÓN

Asegúrese de que todos los controles de los quemadores estén apagados, a excepción del quemador que va a encender y los quemadores que ya se encendieron.

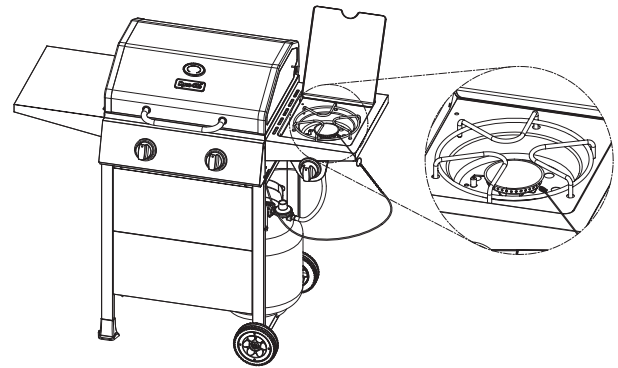
## ⚠ ADVERTENCIA

Si el encendido no se produce en 5 segundos, ponga en posición de apagado **O** los controles del quemador. Espere 5 minutos y repita el procedimiento de encendido.

Encendido con fósforo del quemador principal



Encendido con fósforo del quemador lateral



### INSTRUCCIONES DE APAGADO

1. Gire las perillas de control ↷ hacia la derecha hasta la posición de apagado **O**.
2. Cierre completamente la válvula del tanque girándola ↷ hacia la derecha.
3. Cierre la tapa.

Cierre el suministro de gas propano del tanque cuando el electrodoméstico no esté en uso.

## CUIDADO Y MANTENIMIENTO

### Rejillas para cocinar

El mejor momento para limpiar con calor las rejillas de la parrilla es después de cada uso (aproximadamente 15 minutos). La parrilla ya está caliente luego de cocinar y, por lo tanto, requiere menos combustible para llegar a la temperatura necesaria para limpiar con calor.

Para limpiar con calor su parrilla, lleve los quemadores a la posición de llama máxima y déjelos funcionar así durante 15 minutos con la tapa cerrada. Apague los quemadores y utilice un cepillo de alambre para limpiar los restos de alimentos de las rejillas.

Las rejillas tienen un acabado de porcelana esmaltada (similar al vidrio) y deben manipularse con cuidado para no se dañe.

## ⚠ PRECAUCIÓN

**Verifique que la parrilla esté fría antes de limpiarla y de realizar el mantenimiento.  
Cuide además que el suministro de gas esté cerrado en el tanque de gas propano.**

### Elementos de limpieza recomendados

Lavavajillas líquido suave, agua tibia, esponja de fibra de nylon, cepillo de alambre  
NO utilice limpiadores que contengan ácido, minerales ni sustancias abrasivas.

### Superficies exteriores

Se recomienda utilizar solo lavavajillas suave y agua caliente para limpiar la parrilla y sus piezas. Enjuague con agua caliente.

### Bandeja inferior interna del cuerpo de la parrilla

Para evitar que se produzcan llamaradas, la parte inferior de la parrilla se debe limpiar regularmente. Retire el residuo con un cepillo, una espátula o un paño de limpieza. Limpie con lavavajillas suave y agua tibia. Enjuague con agua caliente. Evite salpicar agua en los tubos de Venturi de los quemadores.

### Protectores térmicos

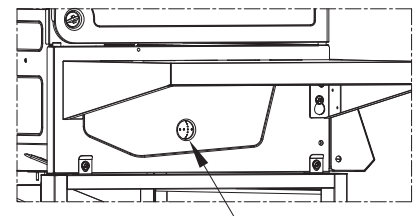
Limpie los residuos con el cepillo de alambre y lave con lavavajillas suave y agua tibia. Enjuague con agua caliente.

### Grasera

Vacíe la grasera y límpiela regularmente con lavavajillas y agua tibia.

### Verificar la llama

Para lograr máxima eficiencia del combustible y mejor rendimiento al cocinar, la llama debe ser de color azul-amarilla y tener entre 1 y 2 pulgadas de alto. Para controlar la llama, obsérvela por los orificios ubicados a ambos lados de la cámara de combustión.



Orificio para ver la llama





## CUIDADO Y MANTENIMIENTO

### Conjunto del quemador

#### Retirar el conjunto del quemador

1. Asegúrese de que todas las perillas de control estén en la posición de apagado, la válvula de suministro de gas esté cerrada y la manguera de gas esté desconectada del suministro de gas.
2. Abra la tapa y retire la rejilla para calentar, las rejillas para cocinar, los protectores térmicos, la presilla del quemador, la cadena de encendido y el quemador principal.
3. Retire las varillas de la bisagra, como se muestra en la Figura 1.
4. Quite los quemadores principales de la cámara de combustión.
5. Desconecte el cable de encendido del electrodo (Figura 2).

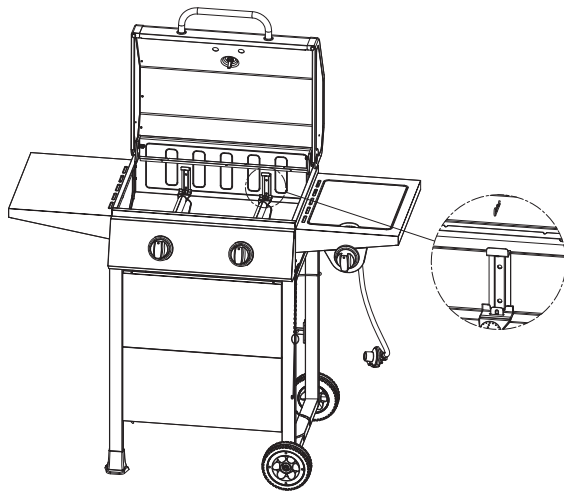
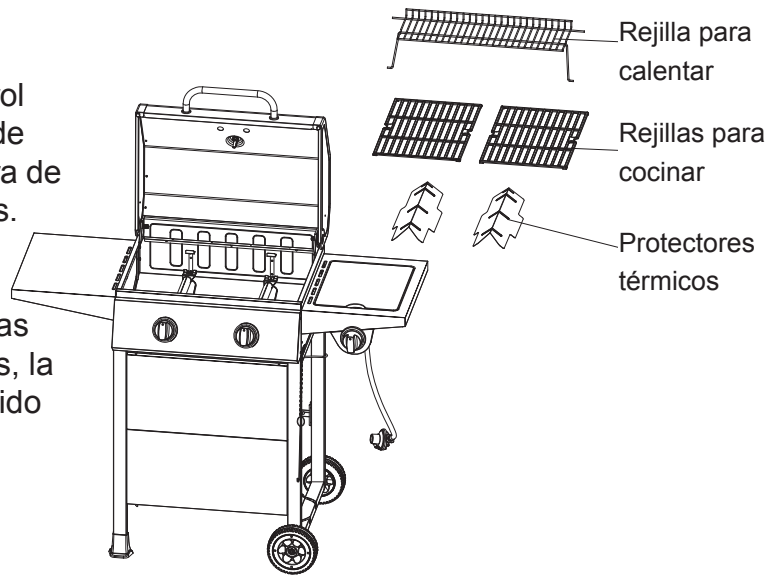


Figura 1

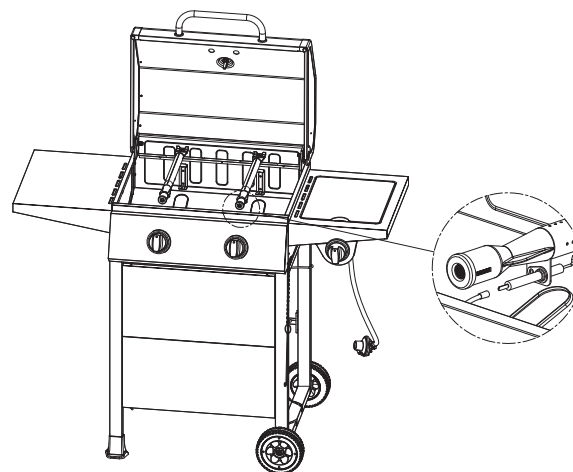


Figura 2



## CUIDADO Y MANTENIMIENTO

### Limpiar el conjunto del quemador

– Asegúrese de que la parrilla esté fría

1. Cierre el gas en las perillas de control y el tanque de gas propano líquido.
2. Desconecte el tanque de gas propano del regulador y la manguera.
3. Retire la rejilla para calentar, las rejillas para cocinar y los protectores térmicos.
4. Para extraer el quemador, retire los pasadores hendidos en la parte posterior de los quemadores para retirarlos de los soportes.
5. Desconecte el cable de encendido del electrodo solo con la mano. NO use las pinzas u otra herramienta, ya que podría dañar el electrodo o el cable.
6. Eleve el quemador lentamente.
7. Verifique que todos los puertos del quemador estén libres de obstrucciones. También funciona si usa un alfiler o sujetapapeles.
8. Asegúrese de que el quemador esté libre de daños. Si encuentra algún daño, reemplácelo por uno nuevo.
9. Asegúrese de que el extremo del quemador y la pantalla de aire principal estén libres de nidos de insectos, suciedad o tierra.

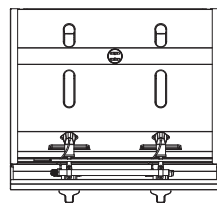
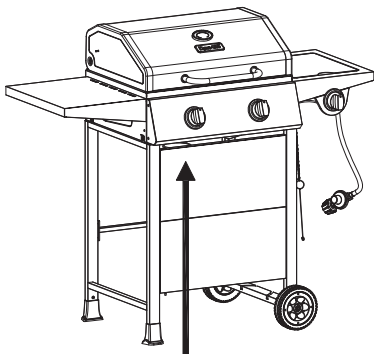
### Volver a instalar el quemador

Verifique que los orificios de la válvula de gas estén posicionados correctamente dentro de la entrada del quemador interior (Venturi).

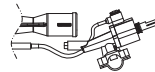
Es posible que deba utilizar una linterna para asegurarse de que la posición sea la correcta.

Se recomienda visualizar la posición correcta a través de los orificios de ventilación de la cámara de combustión, tal como se ilustra a continuación.

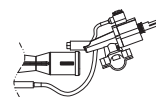
Vuelva a conectar cada quemador con el pasador de la bisagra y vuelva a conectar el cable de encendido al electrodo.



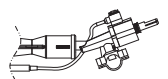
Vista inferior



Incorrecto



Incorrecto



Correcto

Observe la posición correcta desde la parte inferior de la cámara de combustión

## ⚠ ADVERTENCIA

**Si no se siguen las instrucciones anteriores, podría producirse un incendio o una explosión, lo que puede provocar lesiones graves o la muerte.**

### Otros procedimientos de cuidado y mantenimiento

Se recomienda que un técnico cualificado inspeccione y repare todos los años este electrodoméstico.

Le recomendamos que antes de encenderlo, verifique siempre que la zona exterior donde se encuentra el electrodoméstico para cocinar esté limpia y libre de material combustible, gasolina, y otros vapores y líquidos inflamables.

Se aconseja revisar con regularidad que el flujo de combustión y el aire de ventilación no estén obstruidos.

Se recomienda que verifique con regularidad que las aberturas de ventilación del gabinete de la parrilla estén libres de suciedad.

Aconsejamos que revise y limpie con regularidad los tubos del quemador/Venturi para que no haya insectos ni nidos de insectos. Un tubo obstruido puede ocasionar un incendio debajo de la parrilla.

## SOLUCIÓN DE PROBLEMAS

Si tiene alguna pregunta sobre el producto, llame al Departamento de Atención al Cliente al 1-877-447-4768, de lunes a viernes de 8:30 a. m. a 4:30 p. m. (hora central estándar).

<b>PROBLEMA</b>	<b>CAUSA POSIBLE</b>	<b>ACCIÓN CORRECTIVA</b>
<b>El quemador no se enciende con el procedimiento de encendido (se produce una chispa débil o no se produce ninguna chispa).</b>	<ol style="list-style-type: none"><li>1. El electrodo de encendido podría estar cubierto de grasa o residuos.</li><li>2. El electrodo de encendido podría tener un cable suelto o desconectado.</li><li>3. Electrodo de encendido roto o dañado.</li></ol>	<ol style="list-style-type: none"><li>1. Limpie el electrodo de encendido.</li><li>2. Revise la conexión y vuelva a conectar los cables sueltos o desconectados.</li><li>3. Reemplace el electrodo de encendido (consulte la Lista de piezas de repuesto).</li></ol>
<b>Bajo nivel de calentamiento.</b>	<ol style="list-style-type: none"><li>1. Presión de gas insuficiente para la unidad.</li></ol>	<ol style="list-style-type: none"><li>1. Llame a una agencia de servicio calificada para verificar la presión del suministro de gas y corregirla.</li></ol>
<b>Demasiadas llamaradas.</b>	<ol style="list-style-type: none"><li>1. Acumulación de grasa y/o residuo en los protectores térmicos o en la cámara de combustión.</li><li>2. Goteo excesivo de grasa o adobos de la comida.</li><li>3. La temperatura de cocción es demasiado elevada.</li></ol>	<ol style="list-style-type: none"><li>1. Limpie los componentes de la parrilla.</li><li>2. Retire la grasa de la carne y utilice adobos que no sean a base de aceite.</li><li>3. Disminuya la temperatura según corresponda.</li></ol>

## SOLUCIÓN DE PROBLEMAS

<b>PROBLEMA</b>	<b>CAUSA POSIBLE</b>	<b>ACCIÓN CORRECTIVA</b>
<b>El quemador no se enciende con un fósforo.</b>	<ol style="list-style-type: none"><li>1. El fósforo no llega a los quemadores (cuando sostiene el fósforo con la mano).</li><li>2. El tanque está vacío.</li><li>3. Conexión deficiente entre el regulador de la válvula y el acoplamiento del tanque.</li><li>4. La entrada del quemador está bloqueada.</li></ol>	<ol style="list-style-type: none"><li>1. Use el portafósforo que se encuentra en el conjunto de patas derechas.</li><li>2. Verifique el nivel de combustible y llene el tanque si es necesario.</li><li>3. Apague las perillas de la parrilla, cierre la válvula del tanque de gas propano en la parte superior del tanque y revise la conexión entre la válvula del regulador y el acoplamiento del tanque. Desconecte el tanque y vuelva a conectarlo, si es necesario.</li><li>4. Limpie la entrada del quemador (Venturi) y el quemador como se indica en la sección de Cuidado y mantenimiento del manual.</li></ol>
<b>No hay flujo de gas o este se encuentra obstruido.</b>	<ol style="list-style-type: none"><li>1. La válvula del tanque está cerrada o no está totalmente abierta.</li><li>2. El tanque está vacío.</li><li>3. Conexión deficiente entre el regulador de la válvula y el acoplamiento del tanque.</li><li>4. La entrada del quemador está bloqueada.</li></ol>	<ol style="list-style-type: none"><li>1. Abra completamente la válvula del tanque girándola hacia la izquierda.</li><li>2. Compruebe el nivel de combustible y coloque más combustible si es necesario.</li><li>3. Apague las perillas de la parrilla, cierre la válvula del tanque de gas propano en la parte superior del tanque y revise la conexión entre la válvula del regulador y el acoplamiento del tanque. Desconecte el tanque y vuelva a conectarlo, si es necesario.</li><li>4. Limpie la entrada del quemador (Venturi) y el quemador como se indica en la sección de Cuidado y mantenimiento del manual.</li></ol>

## **GARANTÍA LIMITADA**

---

### **Garantía limitada por 1 año**

Esta parrilla de gas propano líquido tiene garantía por 1 año (5 años en los quemadores de acero inoxidable) contra piezas rotas o dañadas en el momento de la compra. Se garantiza que está libre de defectos. La pintura tiene una garantía contra defectos, a excepción del óxido, que podría aparecer después de varios usos.

Esta garantía no cubre los daños o problemas relacionados con la negligencia, el uso indebido o las modificaciones al electrodoméstico. El trabajo de reparación no está cubierto.

Todas las piezas que cumplan con los requisitos de la garantía serán enviadas sin cargo a discreción del fabricante (envíos terrestres, correo de EE. UU. o servicio de encomiendas ÚNICAMENTE). Los cargos de entrega especial (es decir, entrega de segundo día, antes del mediodía, etc.) serán responsabilidad del consumidor.

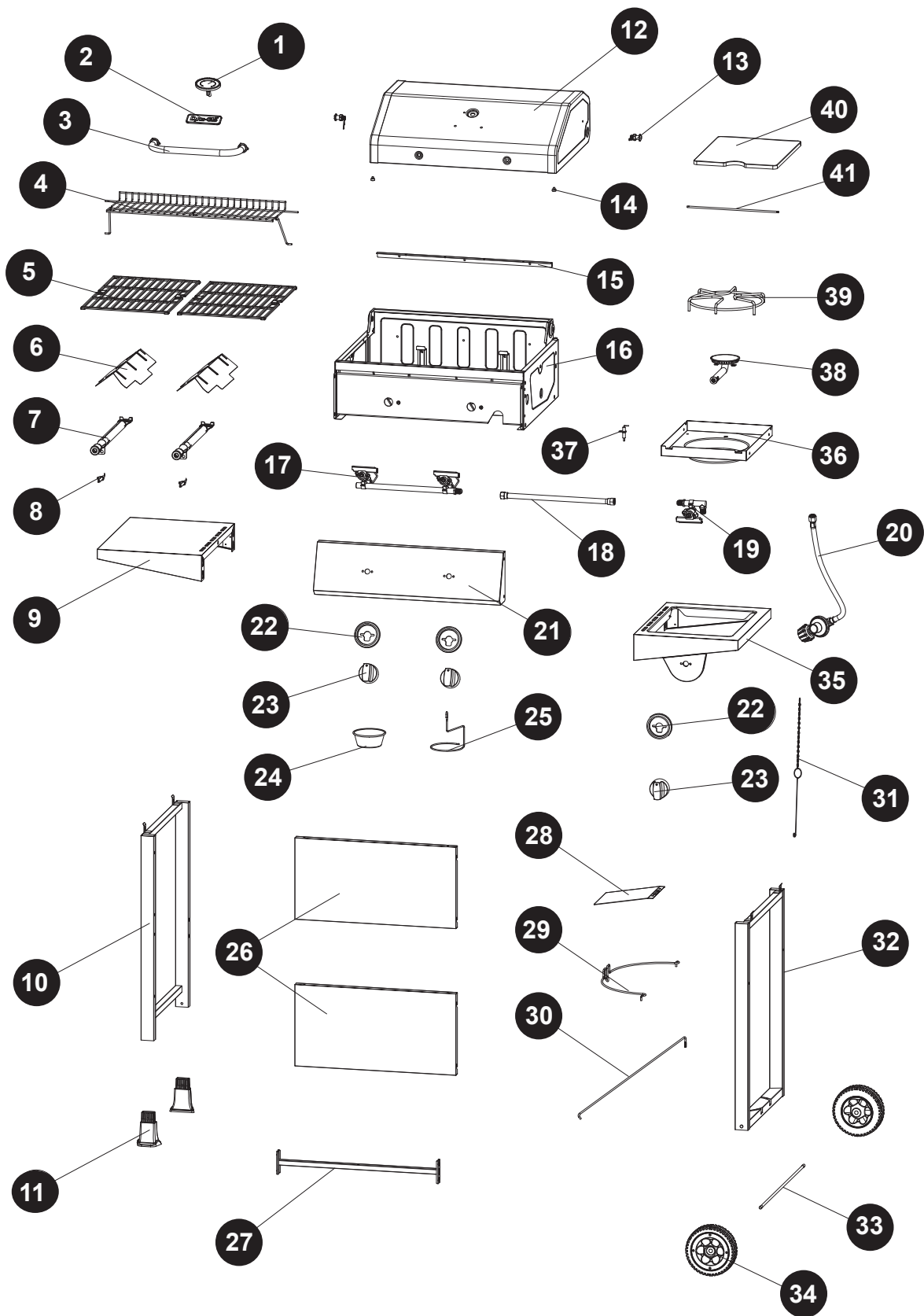
Todos los reclamos bajo la garantía solo se aplican al comprador original y requieren una prueba de la compra que verifique la fecha de compra. No devuelva piezas sin antes obtener el número de autorización de devolución emitido por nuestro servicio al cliente. Este servicio está disponible a través del número gratuito 1-877-447-4768, de lunes a viernes de 8:30 a. m. a 4:30 p. m. (hora central estándar).

AVISO: Algunos estados no permiten la exclusión o limitación de daños incidentales o indirectos por el tiempo que dura una garantía implícita. Por lo tanto, es posible que las limitaciones o exclusiones mencionadas no se apliquen en su caso. Esta garantía otorga derechos legales específicos, y podría haber otros derechos legales aplicables según el estado.

GHP Group Inc.  
6440 W. Howard Street  
Niles, IL, USA  
60714-3302

Nombre del artículo: Parrilla con 2 quemadores y quemador lateral para gas propano líquido  
N.º de modelo: DGF350CSP/DGF350CSP-D  
Total nominal de BTU del quemador principal: 24 000 BTU/h  
Valor nominal de BTU del quemador lateral: 12 000 BTU/h

# LISTA DE PIEZAS DE REPUESTO



## LISTA DE PIEZAS DE REPUESTO

Para obtener las piezas de repuesto, llame a nuestro Departamento de Atención al Cliente al 1-877-447-4768, de lunes a viernes de 8:30 a. m. 4:30 p. m. (hora central estándar).

PIEZA	DESCRIPCIÓN	N.º DE PIEZA
1	Conjunto del indicador de temperatura	70-01-100
2	Placa	70-01-540
3	Manija de la tapa	70-01-632
4	Rejilla para calentar	70-01-633
5	Rejilla para cocinar	70-01-634
6	Protector térmico	70-01-635
7	Quemador principal con presilla	70-01-636
8	Encendedor del quemador principal	70-01-283
9	Conjunto de la mesa del lado izquierdo	70-01-637
10	Conjunto de patas izquierdas	70-01-638
11	Capuchón de la pata	70-01-639
12	Conjunto de la tapa (con placa interior)	70-01-640
13	Bisagra de la tapa (con tuerca, arandela y presilla)	70-01-641
14	Tope de la tapa	70-01-176
15	Soporte de la rejilla para cocinar	70-01-642
16	Conjunto de la cámara de combustión (con pantalla térmica y soporte del quemador)	70-01-643
17	Conjunto del colector y las válvulas principales	70-01-644
18	Manguera corrugada	70-01-645
19	Válvula lateral	70-01-646
20	Conjunto del regulador y la manguera	70-01-647
21	Conjunto del panel de control (solo inglés)	70-01-648
22	Bisel de la perilla de control	70-01-184
23	Perilla de control	70-01-185
24	Grasera	70-01-650
25	Soporte de la grasera	70-01-651
26	Panel frontal del carro	70-01-652
27	Conjunto del tirante trasero del carro	70-01-653
28	Pantalla térmica del tanque	70-01-654
29	Barra de fijación del tanque	70-01-655
30	Barra de fijación del tanque	70-01-656
31	Portafósforo con cadena	70-01-204
32	Conjunto de patas derechas	70-01-657
33	Eje	70-01-658
34	Rueda	70-01-659
35	Conjunto de la mesa del lado derecho	70-01-660
36	Bandeja del quemador lateral	70-01-661
37	Encendedor del quemador lateral	70-01-269
38	Cuerpo del quemador lateral	70-01-662
39	Rejilla del quemador lateral	70-01-266
40	Tapa del quemador lateral	70-01-264
41	Varilla de la tapa del quemador lateral	70-01-265
n/a	Manual de instrucciones	70-10-640
n/a	Paquete de tornillería y herramientas	70-09-523