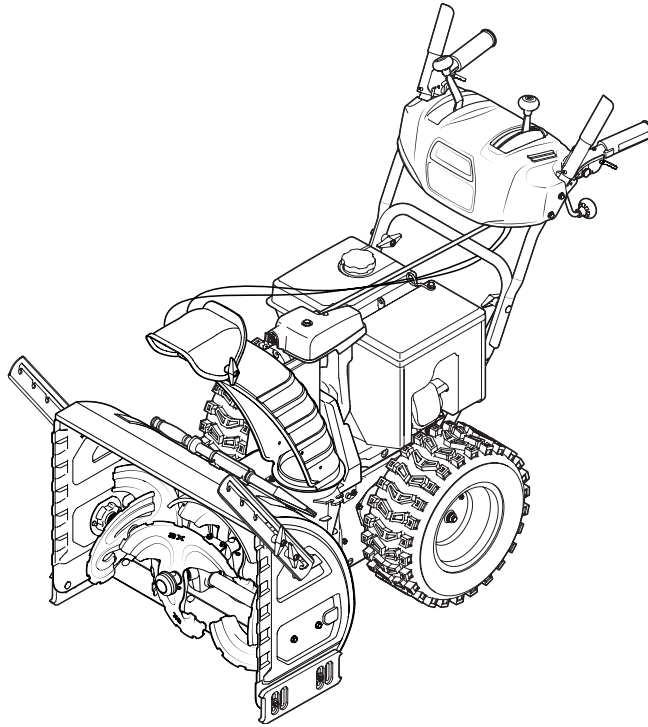

Cub Cadet.

ILLUSTRATED PARTS MANUAL



500 Series Snow Thrower — 3X26"/28" & 3X26"/28" HD

CUB CADET LLC, P.O. BOX 361131 CLEVELAND, OHIO 44136-0019

To The Owner

Thank You

Thank you for purchasing a Cub Cadet Snow Thrower. It was carefully engineered to provide excellent performance when properly operated and maintained.

All information in this manual is relative to the most recent product information available at the time of printing. Please be aware that this Illustrated Part's Manual may cover a range of product specifications for various models.

Components listed and/or illustrated in this manual may not be applicable to all models. We reserve the right to change product specifications, designs and equipment without notice and without incurring obligation.

Throughout this manual, all references to *right* (RH) and *left* (LH) are observed from the operating position.

Table of Contents

<u>T-Style Handle & Frame</u>	<u>4</u>	<u>Auger & Auger Housing (26" HD).....</u>	<u>14</u>
<u>S-Style Handle & Frame</u>	<u>6</u>	<u>Auger & Auger Housing (30" HD).....</u>	<u>16</u>
<u>Chute Control (STD).....</u>	<u>8</u>	<u>Drive System</u>	<u>18</u>
<u>Chute Control (Steel).....</u>	<u>10</u>	<u>Labels</u>	<u>21</u>
<u>Auger & Auger Housing (26"/28" STD)</u>	<u>12</u>	<u>Engine Model 483-SUB</u>	<u>22</u>

Record Product Information

To ease in ordering replacement parts, please locate the model plate on the equipment and record the information in the provided area to the right. You can locate the model plate by looking beneath the seat.

MODEL NUMBER

--	--	--	--	--	--	--	--	--	--	--

SERIAL NUMBER

--	--	--	--	--	--	--	--	--	--	--

Painted Parts

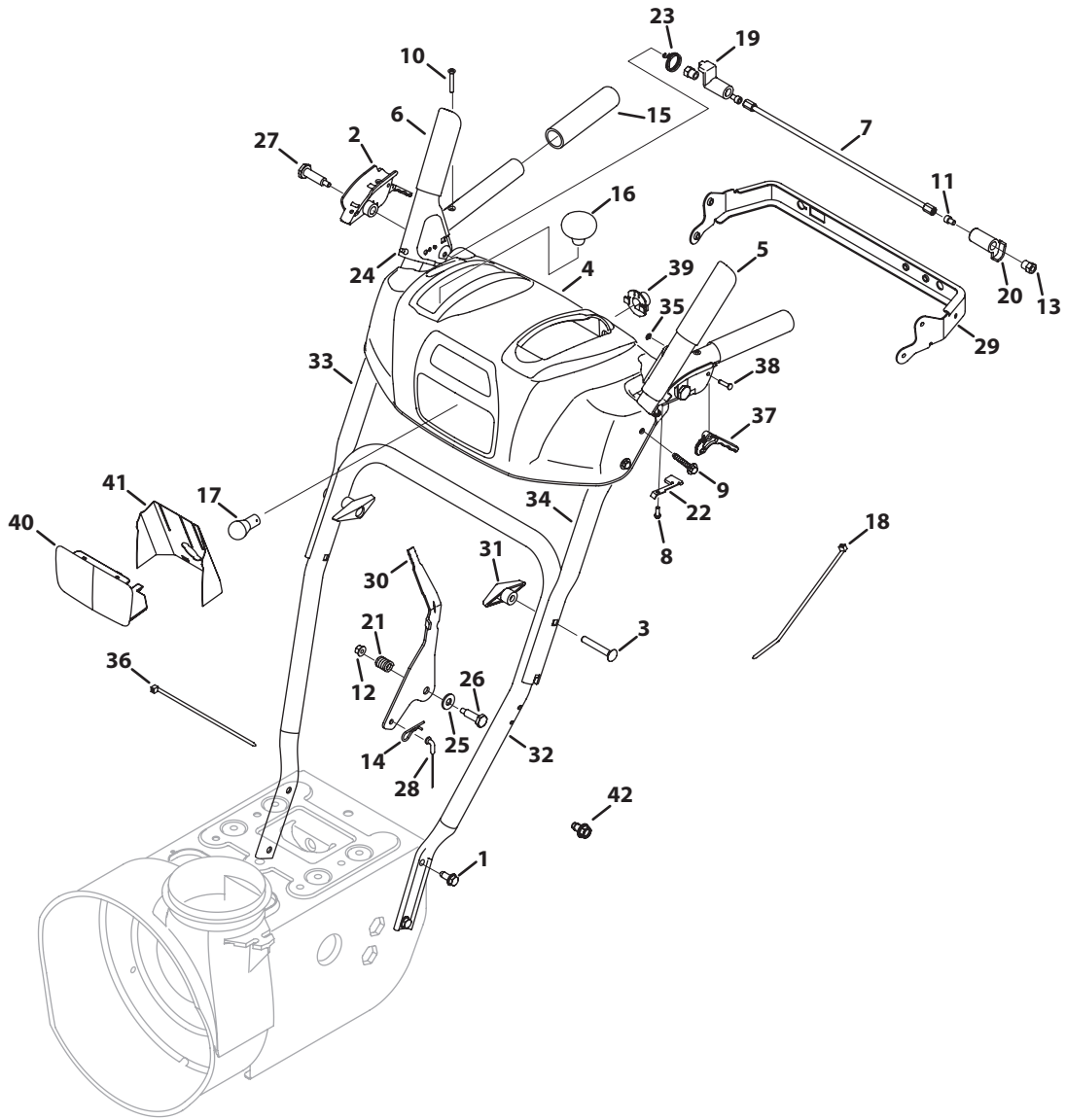
When ordering painted service parts, a four digit color suffix must be added to the part number (e.g. 783-XXXXX-0637). Please refer to the table below for current color codes:

0637	Black
4021	Yellow (Cub Cadet)
0499	Beige (Cub Cadet)

0685	Blue (Cub Cadet)
0691	Black Jack (Cub Cadet Commercial)

This page left intentionally blank.

T-Style Handle & Frame



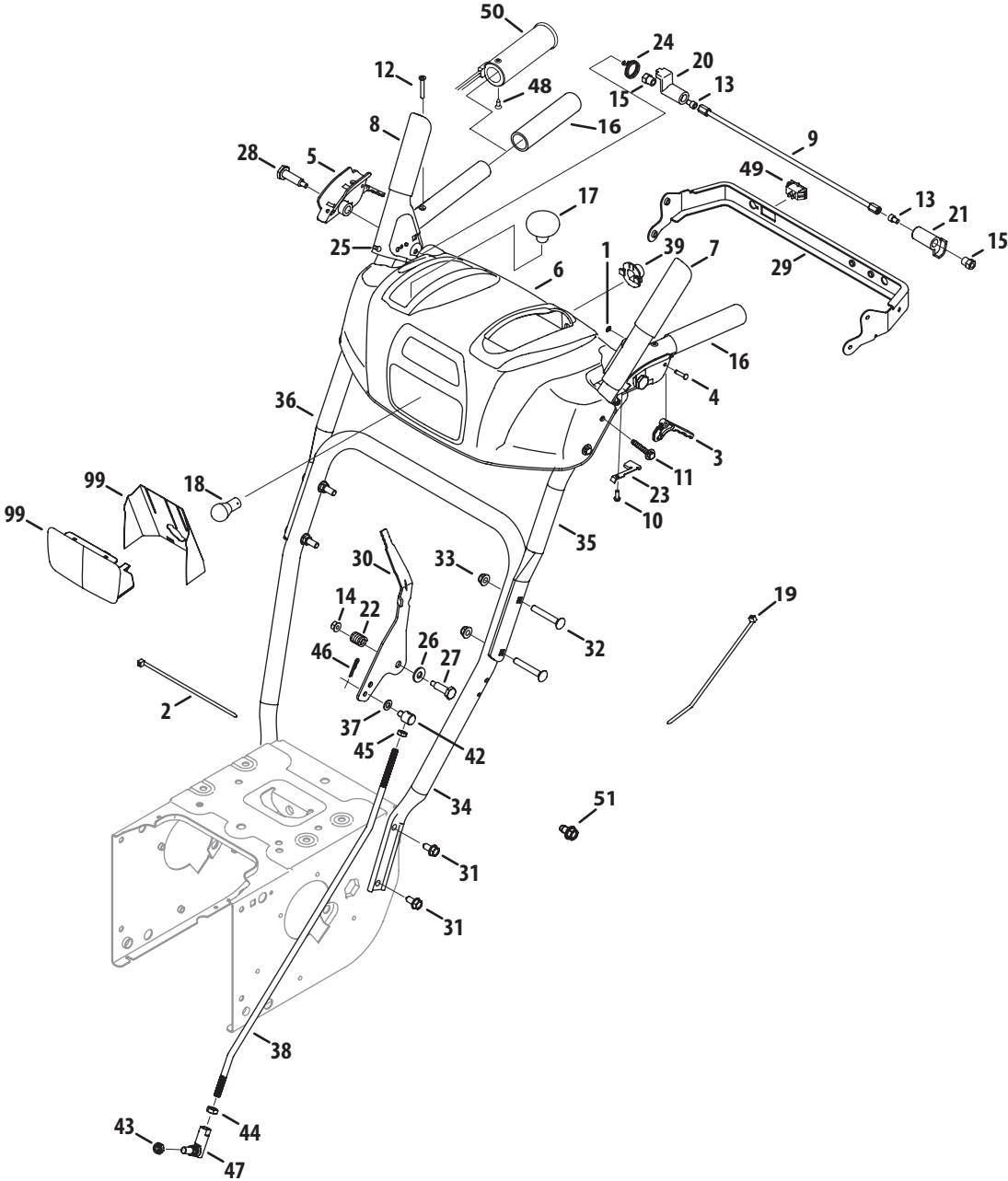
T-Style Handle & Frame

Ref.	Part Number	Description
1	710-04484	Hex Screw, 5/16-18 x .750
2	631-04133A	Handle Clutch Lock LH Assy
—	631-04134B	Handle Clutch Lock RH Assy
3	710-0572	Carriage Screw, 5/16-18 x 2.25
4	931-04187A	Handle Panel, includes Ref. 40 & 41
5	684-04105B	Handle Engagement Assembly LH
6	684-04106C	Handle Engagement Assembly RH
7	684-04250	Pivot Rod
8	710-04326	Screw, 8-16 x 0.50
9	710-04586	Screw, 1/4-20 x 1.625
10	710-1233	Screw, 10-24 x 1.375
11	710-3069	Socket Screw, 1/4-20 x .50
12	712-04064	Flange Lock Nut, 1/4-20
13	712-04081A	Shoulder Nut, 1/4-20
14	914-0145	Click Pin, .092 x 1.64
15	720-0274	Handle Grip
16	720-04039	Shift Knob
17	925-1629	Lamp
18	926-0154	Cable Tie
19	731-04894D	Lock Plate
20	731-04896B	Clutch Lock Cam
21	732-0193	Compression Spring
22	732-04219C	Clutch Lock Spring

Ref.	Part Number	Description
23	732-04238	Torsion Spring
24	935-0199A	Rubber Bumper
25	936-0267	Flat Washer, .385 x .87 x .06
26	738-04125	Shoulder Screw, .374 x 1.05
27	738-04348	Shoulder Screw, 1/4-20 x 1.345
28	946-04396A	Speed Cable Selector
29	790-00248C	Panel Bracket
30	790-00311B	Shift Lever
31	920-0284	Wing Knob
32	749-04138B	Lower Handle
33	749-04190A	Upper Handle RH
34	749-04191A	Upper Handle LH
35	716-04036	E-Ring
36	725-0157	Cable Tie
37	731-04954	Clutch Trigger
38	738-04126	Pin, 3/16
39	925-1649	Light Socket
40	731-05324	Lens
41	777X41804	Lens Label
42	710-0599	Screw, TT, 1/4-20 x .500 (For ground wire)
—	925-04137†	Harness (Inc # 39)

† Not Shown

S-Style Handle & Frame



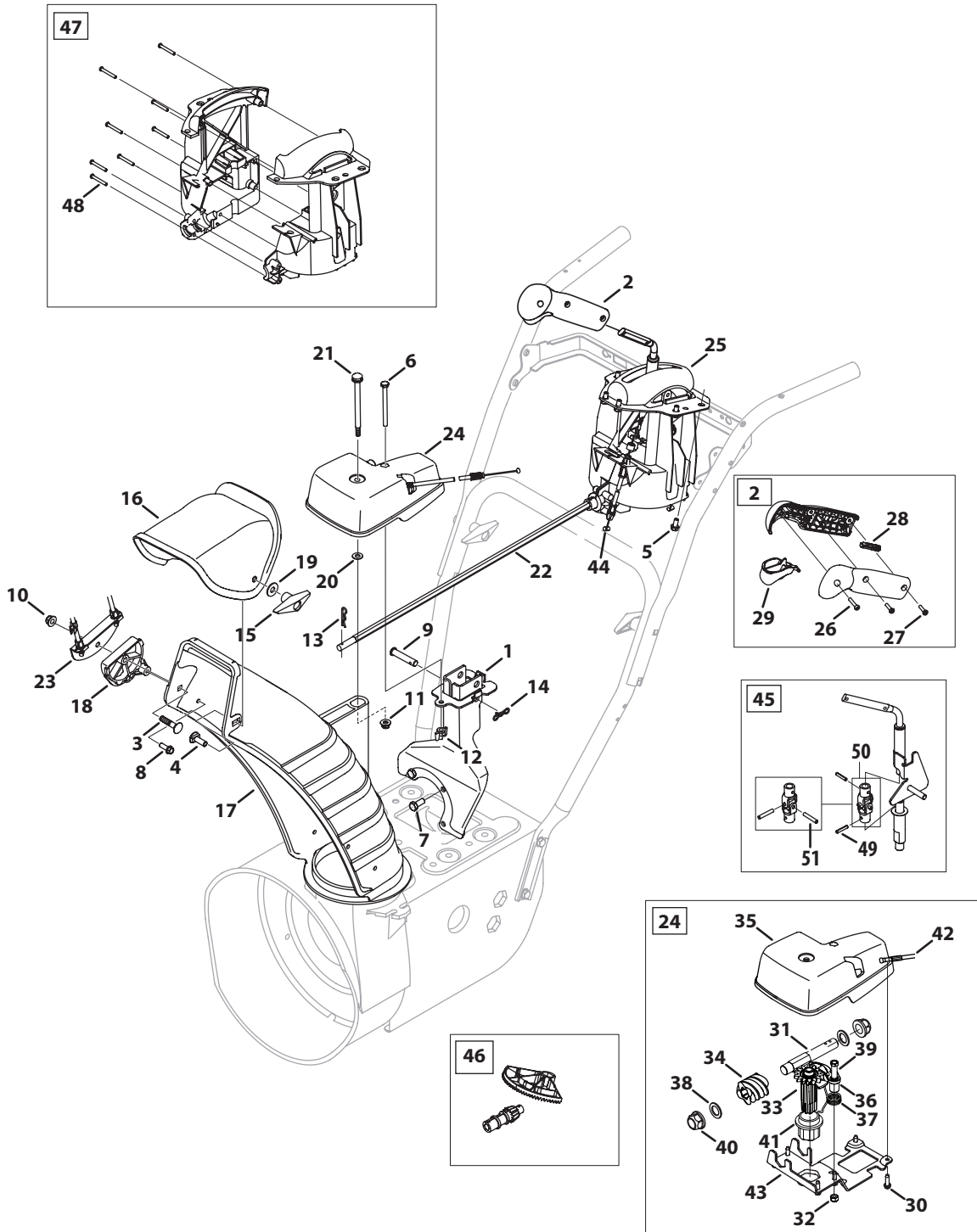
S-Style Handle & Frame

Ref.	Part Number	Description
1	716-04036	E-Ring
2	725-0157	Cable Tie
3	731-04954	Clutch Trigger
4	738-04126	Pin, 3/16
5	631-04133A	Handle Clutch Lock LH Assy
—	631-04134B	Handle Clutch Lock RH Assy
6	931-04187A	Handle Panel, includes Ref. 40 & 41
7	684-04105B	Handle Engagement Assembly LH
8	684-04106C	Handle Engagement Assembly RH
9	684-04250	Pivot Rod
10	710-04326	Screw, 8-16 x 0.50
11	710-04586	Screw, 1/4-20 x 1.625
12	710-1233	Screw, 10-24 x 1.375
13	710-3069	Socket Screw, 1/4-20 x .50
14	712-04064	Flange Lock Nut, 1/4-20
15	712-04081A	Shoulder Nut, 1/4-20
16	720-0274	Handle Grip
17	720-04039	Shift Knob
18	925-1629	Lamp
19	926-0154	Cable Tie
20	731-04894D	Lock Plate
21	731-04896B	Clutch Lock Cam
22	732-0193	Compression Spring
23	732-04219C	Clutch Lock Spring
24	732-04238	Torsion Spring
25	935-0199A	Rubber Bumper
26	936-0267	Flat Washer, .385 x .87 x .06
27	738-04125	Shoulder Screw, .374 x 1.05

Ref.	Part Number	Description
28	738-04348	Shoulder Screw, 1/4-20 x 1.345
29	790-00248C	Panel Bracket
30	790-00311B	Shift Lever
31	710-04484	Hex Screw, 5/16-18 x .750
32	710-04532	Carriage Screw, 5/16-18 x 2.00
33	712-04063	Nut, Flangelock, 5/16-18
34	749-04138B	Lower Handle
35	749-04309	Upper Handle LH
36	749-04310	Upper Handle RH
37	736-3081	Flat Washer, .320 x .600 x .060
38	747-06190	Shift Rod, .343 OD
39	925-1649	Light Socket
40	731-05324	Lens
41	777X41804	Lens Label
42	911-0677	Ferrule, 5/16-18 x .312 Dia
43	912-0116	Jam Lock Nut, 3/8-24
44	712-0711	Jam Nut, 3/8-24
45	712-3007	Nut, Jam 5/16-18
46	714-04040	Bow-Tie Cotter Pin
47	923-3018	Ball Joint
48	710-0837	AB Screw, #10-16 x .625 (3X 30" HD)
49	725-04393	Heated Grip Switch (3X 30" HD)
50	725-05149	Heated Grip (3X 30" HD)
51	710-0599	Screw, TT, 1/4-20 x .500 (For ground wire)
—	925-04137†	Harness (Inc # 39)
—	725-05148†	Harness (3X 30" HD)

† Not Shown

Chute Control (STD)



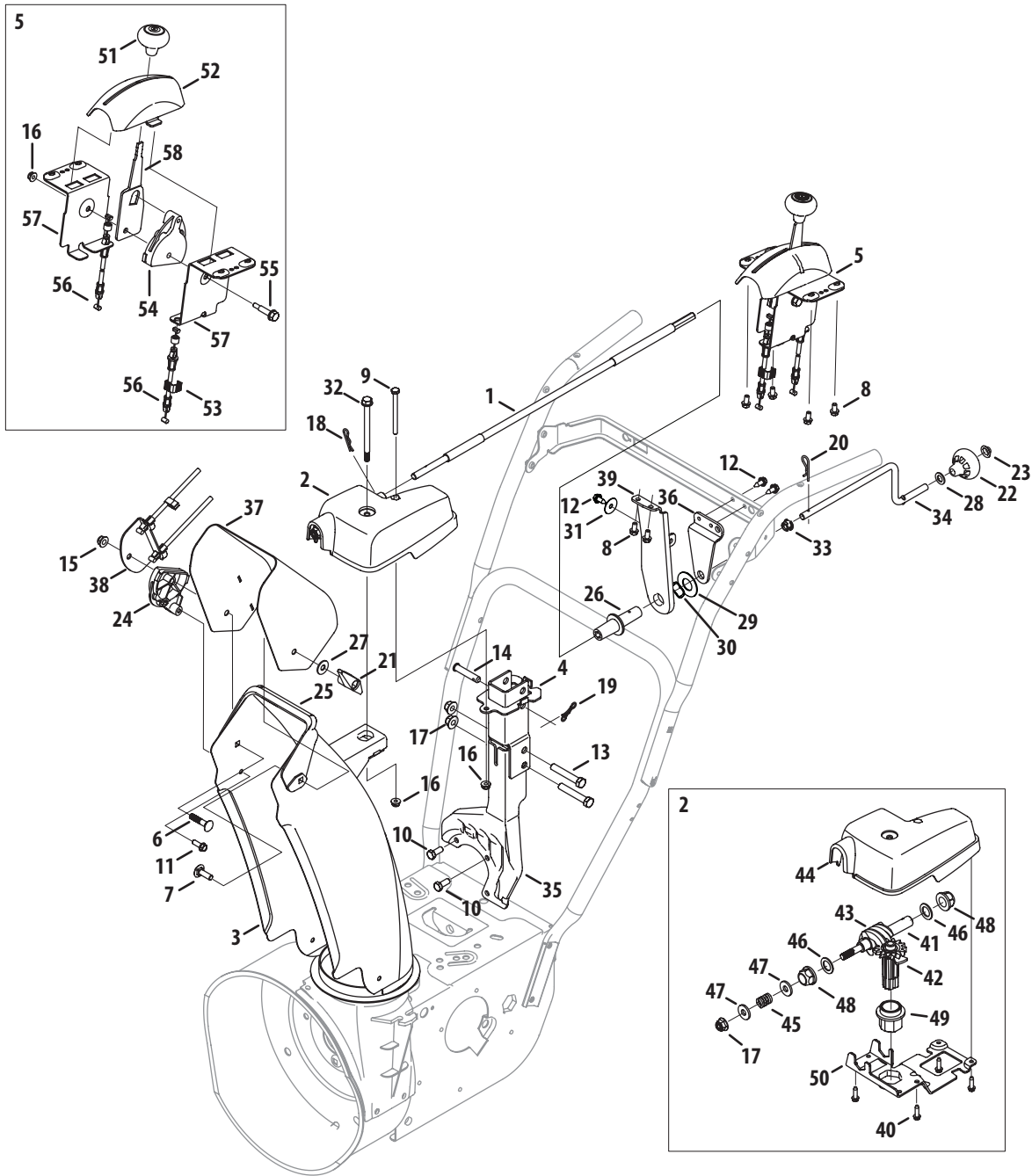
Chute Control (STD)

Ref.	Part Number	Description
1	684-04310A	Chute Support Bracket
2	753-06151	Handle Assembly
3	710-0262	Bolt, Carriage, 5/16-18 x 1.50
4	710-04071	Bolt, Carrier, 5/16-18 x 1.00
5	710-04187	Screw, HL, 1/4-15 x 0.50
6	710-04370	Hex Head Screw, 1/4-20 x 3.00
7	710-0627	Hex Head Screw, 5/16-24 x .750
8	710-0895	Screw, HL, 1/4-15 x 0.750
9	711-04469A	Clevis Pin, 3/8 x 1.87
10	712-04063	Nut, Flangelock, 5/16-18
11	712-04064	Nut, Flangelock, 1/4-20
12	712-3087	Wing Nut, 1/4-20
13	914-0101	Internal Cotter Pin
14	714-04040	Bow-Tie Cotter Pin
15	920-0284	Wing Knob, 5/16-18
16	731-04427A	Chute, Upper
17	731-06440A	Chute, Lower
18	731-06451	Cable Guide, Chute Tilt
19	936-0159	Washer, Flat, .349 x .879
20	736-04446	Washer, Flat, .25 x .630
21	738-04367	Screw, Shoulder, .312 x 3.5 x 1/4-20
22	747-05116	Chute Rod, 3/8 Hex
23	784-5594	Cable Bracket
24	918-04801A	Gearbox Assembly, Chute Rotation
25	984-04338A	Chute Control, 4-Way
26	710-04353	Screw, #8 x 1.00

Ref.	Part Number	Description
27	710-04879	Screw, 8-32 x .750
28	731-04893A	Joystick Plug
29	731-07031	Joystick Trigger
30	710-04373A	Screw, 12-16 x .75
31	711-05186	Hex Shaft
32	712-0896	Hexlock Nut, 1/4-28
33	717-04667	Gear, 14 T
34	717-04672	Worm
35	731-06906	Gear Cover
36	731-06943A	Pawl Lock
37	732-04638C	Torsion Spring, .721 ID x .474
38	736-0290	Washer, Flat, .625 x 1.0 x .067
39	738-04391	Screw, Shoulder, .340 x .950 x 1/4-28
40	941-0225	Hex Bearing
41	741-04388A	Flange Bearing
42	946-04619B	Cable Lock
43	790-00342B	Gear Bracket
44	946-04528B	4-Way Cable
	731-07868†	Cable Clip
45	984-04324A	Shift Assembly
46	753-06152	Gear Set Assembly
47	753-06153	Handle Housing Assembly
48	710-1256	Screw, #8-18 x 1.250
49	715-04095	Pin, Roll
50	684-04350	Block, Asm Joint
51	715-0150	Pin, Roll

† Not Shown

Chute Control (Steel)

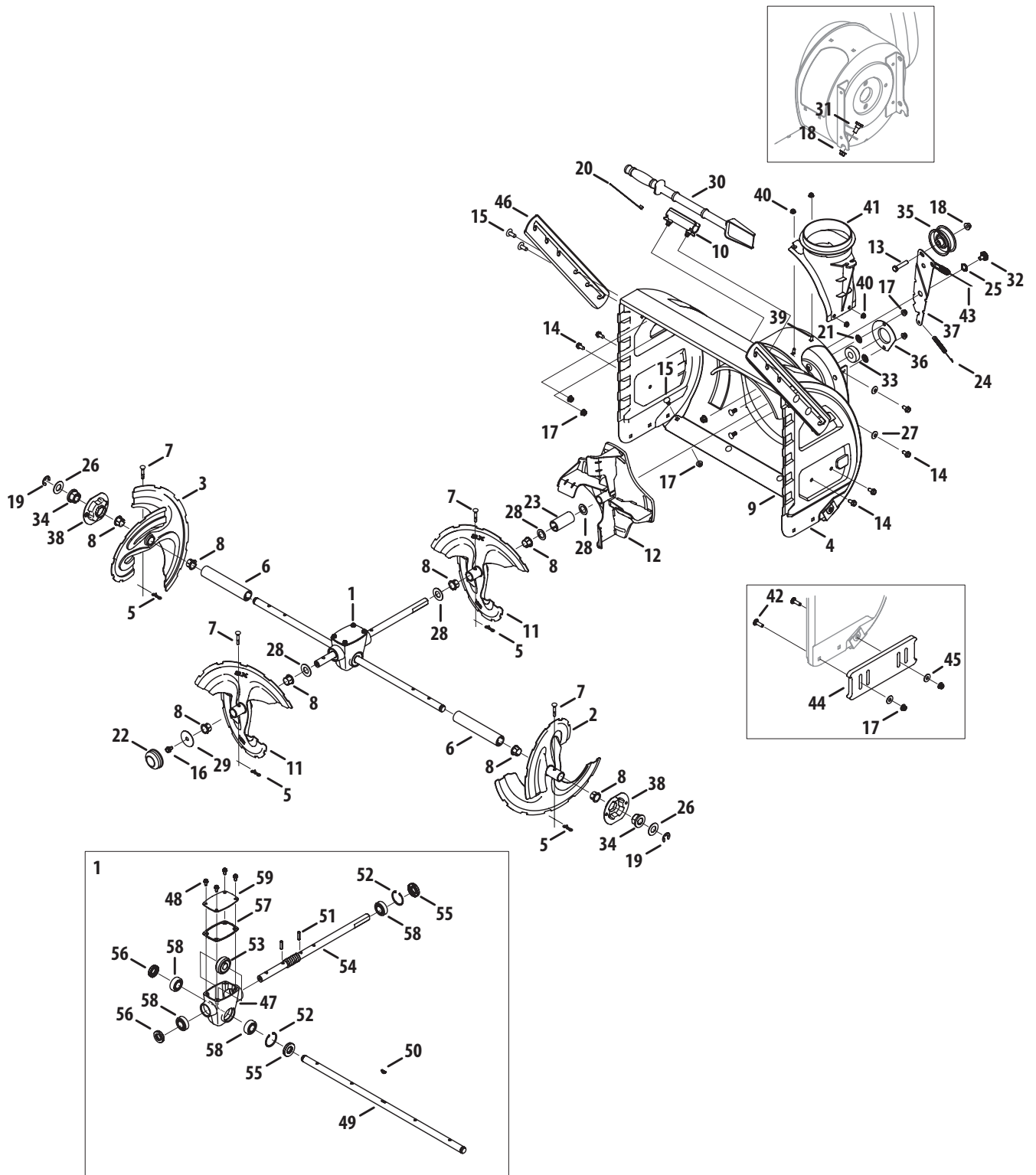


Chute Control (Steel)

Ref.	Part Number	Description
1	911-05044	Control Assembly
2	918-04933	Chute Rotation Gearbox
3	684-05023	Chute, Lower
4	684-05035	Support Bracket Extension
5	984-05044	Chute Control, 2-Way
6	710-0262	Bolt, Carriage, 5/16-18 x 1.50
7	710-0276	Bolt, Carriage, 5/16-18 x 1.00
8	710-04187	Screw, HL, 1/4-15 x 0.50
9	710-04370	Hex Head Screw, 1/4-20 x 3.00
10	710-0627	Hex Head Screw, 5/16-24 x .750
11	710-0895	Screw, HL, 1/4-15 x 0.750
12	710-1652	Hex Washer Screw, 1/4-20 x .625
13	710-3011	Hex Cap Screw, 3/8-16 x 2.25
14	711-04469A	Clevis Pin, 3/8 x 1.87
15	712-04063	Nut, Flangelock, 5/16-18
16	712-04064	Nut, Flangelock, 1/4-20
17	712-04065	Flange Lock Nut, 3/8-16
18	914-0101	Internal Cotter Pin
19	714-04040	Bow-Tie Cotter Pin
20	714-3020	Internal Cotter Pin
21	920-0284	Wing Knob, 5/16-18
22	720-04102	Knob
23	926-0100	Push Cap, 3/8
24	731-09535	Chute Cable Guide
25	731-09539	Chute Adapter
26	731-09643	Chute Control Rod Coupling
27	936-0159	Washer, Flat, .349 x .879
28	936-0185	Flat Washer, .375 x .738 x .063
29	936-0316	Flat Washer, .78 x 1.59 x .06

Ref.	Part Number	Description
30	736-0621	Washer, Wave, .785 x 1.0 x .012
31	736-3092	Flat Washer, .265 x 1.00 x .030
32	738-04367	Screw, Shoulder, .312 x 3.5 x 1/4-20
33	941-0475	Plastic Bushing, .38
34	747-06196	Chute Crank
35	790-00330A	Chute Support Bracket
36	790-00341	Support Rod Bracket
37	790-00529	Chute, Upper
38	790-00565	Cable bracket
39	790-00576	Chute Control Support Bracket
40	710-04373A	Screw, 12-16 x .75
41	711-05329A	Worm Shaft
42	717-04667	Gear Assembly
43	717-04672	Worm
44	731-07529A	Gear Cover
45	732-04756	Compression Spring, .39 x .60 x .88
46	736-0290	Flat Washer, .625 x 1.0 x .067
47	736-3072	Flat Washer, .380 x .93 x .110
48	941-0225	Hex Bearing
49	741-04388A	Flange Bearing
50	790-00342B	Gear Bracket
51	720-04039	Shift Knob
52	731-05307	Cover, Tilt Cover
53	731-07868	Cable Clip
54	731-1313C	Chute Tilt Cable Guide
55	738-04185	Screw, Shoulder, .31 x .995:1/4-20
56	946-05091	Cable, Chute Tilt
57	790-00200A	Bracket, Mounting
58	790-00210A	Control Lever

Auger & Auger Housing (26"/28" STD)



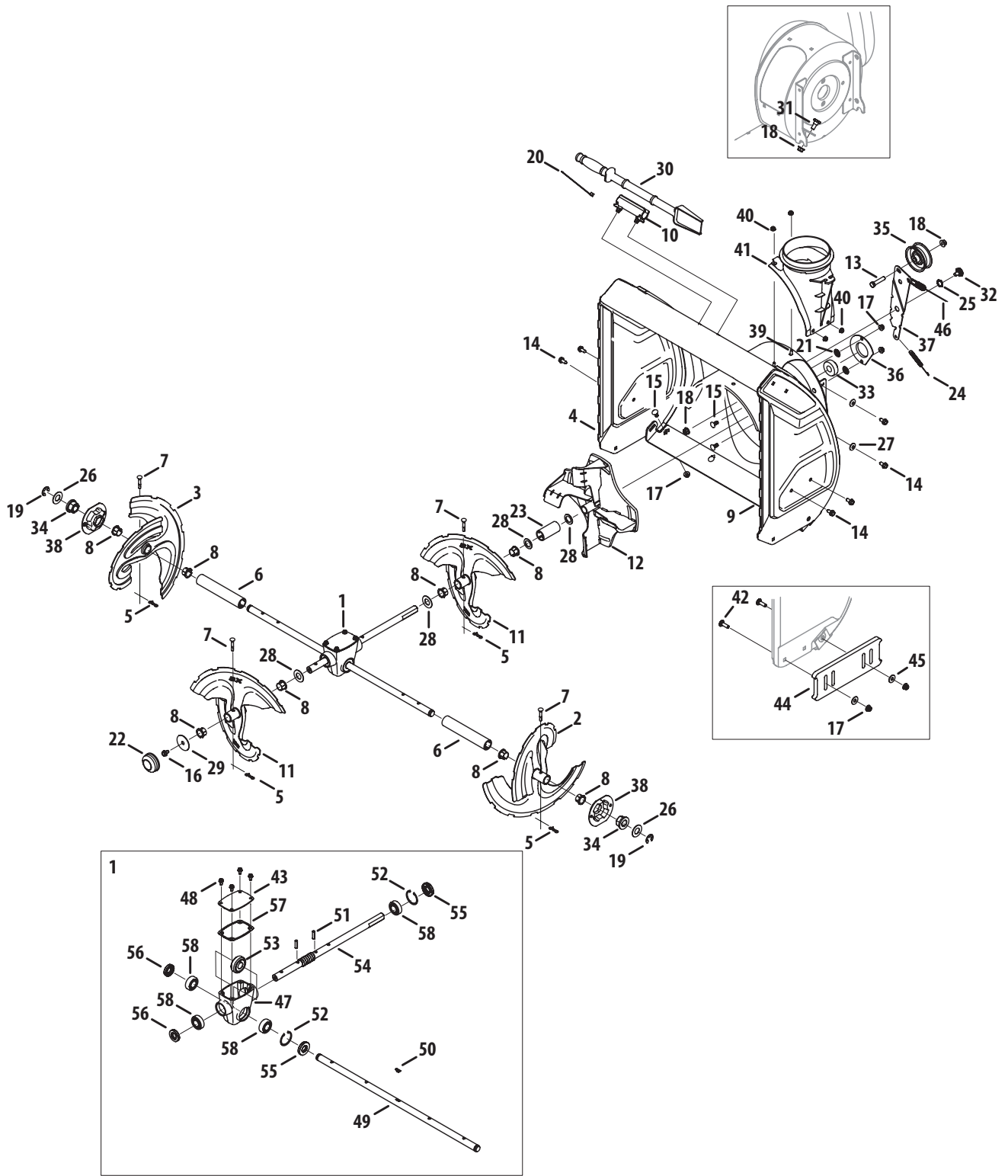
Auger & Auger Housing (26"/28" STD)

Ref.	Part Number	Description
1	918-06039	Gearbox Assembly, Auger, 26"
—	918-06060	Gearbox Assembly, Auger, 28"
2	684-04107	Spiral Assembly - LH
3	684-04108	Spiral Assembly - RH
4	684-05036	Auger Housing, 26"
—	684-05042	Auger Housing, 28"
5	714-04040	Bow Tie Cotter Pin
6	731-09486	Spacer, 1.25 OD x .75 ID x 6.83 (26")
—	731-09558	Spacer, 1.25 OD x .75 ID x 7.805 (28")
7	738-04124A	Shear Pin
8	741-0493A	Flange Bushing, .800 x .910
9	790-00121	Shave Plate, 26"
—	790-00118	Shave Plate, 28"
10	731-2635	Clean-out Tool Mtg. Bracket
11	684-05015	Accelerator Assembly
12	684-05030	Impeller Assembly
13	710-0347	Hex Bolt, 3/8-16 x 1.75
14	710-04484	Screw, 5/16-18 x .750
15	710-0451	Carriage Bolt, 5/16-18 x .750
16	710-0607	Hex Washer Screw, 5/16-18 x .500
17	712-04063	Flange Lock Nut, 5/16-18
18	712-04065	Flange Lock Nut, 3/8-16
19	916-0231	E-ring, .75
20	725-0157	Cable Tie
21	926-04012	Push-On Nut, .25 Dia.
22	731-08637A	Hubcap
23	731-09659	Spacer, 1.25 OD x .75 ID x 2.61
24	732-04460	Extension Spring, .38 OD x 4.59
25	736-0174	Wave Washer, .625 x .885 x .0175
26	736-0188	Flat Washer, .76 x 1.49 x .06
27	736-0242	Bell Washer, .340 x .872 x .060
28	936-0287	Flat Washer, .793 x 1.24 x .06

Ref.	Part Number	Description
29	736-3040	Flat Washer, .406 x 1.92 x .060
30	931-2643	Clean-Out Tool
31	738-0143	Shoulder Screw, 3/8-16 x .496 x .336
32	938-0281	Shoulder Screw, 3/8-16 x .625 x .17
33	941-0309	Flange Ball Bearing, .75 x 1.85
34	741-05041	Hex Flange Bearing, .75 ID
35	756-04224	Flat Idler Pulley
36	790-00075	Bearing Housing
37	790-00080A	Auger Idler Bracket
38	790-00534	Bearing Housing
39	710-0703	Carriage Screw, 1/4-20 x 0.75
40	712-04064	Flange Lock Nut, 1/4-20
41	731-07525	Chute Adapter
42	710-0276	Spacer, Carriage, 5/16-18 x 1.00
43	946-04230A	Auger Clutch Cable
44	731-06931	Deluxe Slide Shoe
45	936-0159	Washer, Flat, .349 x .879 x .063
46	790-00181†	Drift Cutter
47	919-05029	Auger Housing
48	710-0642	Screw, 1/4-20 x 0.75
49	711-06144	Axle, Auger, 26"
—	711-06145	Axle, Auger, 28"
50	914-0161	Hi-Pro Key
51	715-04034	Pin, Roll, .25 x 1.0
52	716-05001	Retainer Ring
53	917-04861	Worm Gear, 20T
54	917-05112	Worm Shaft
55	721-04612	Seal, .75 x 40mm x .25
56	721-04613	Seal, .75 x 1.375 x .25
57	921-04614	Gearbox Gasket
58	941-05042	Ball Bearing, .75 x 40 x 12
59	783-08281	Gearbox Cover

† If Equipped

Auger & Auger Housing (26" HD)

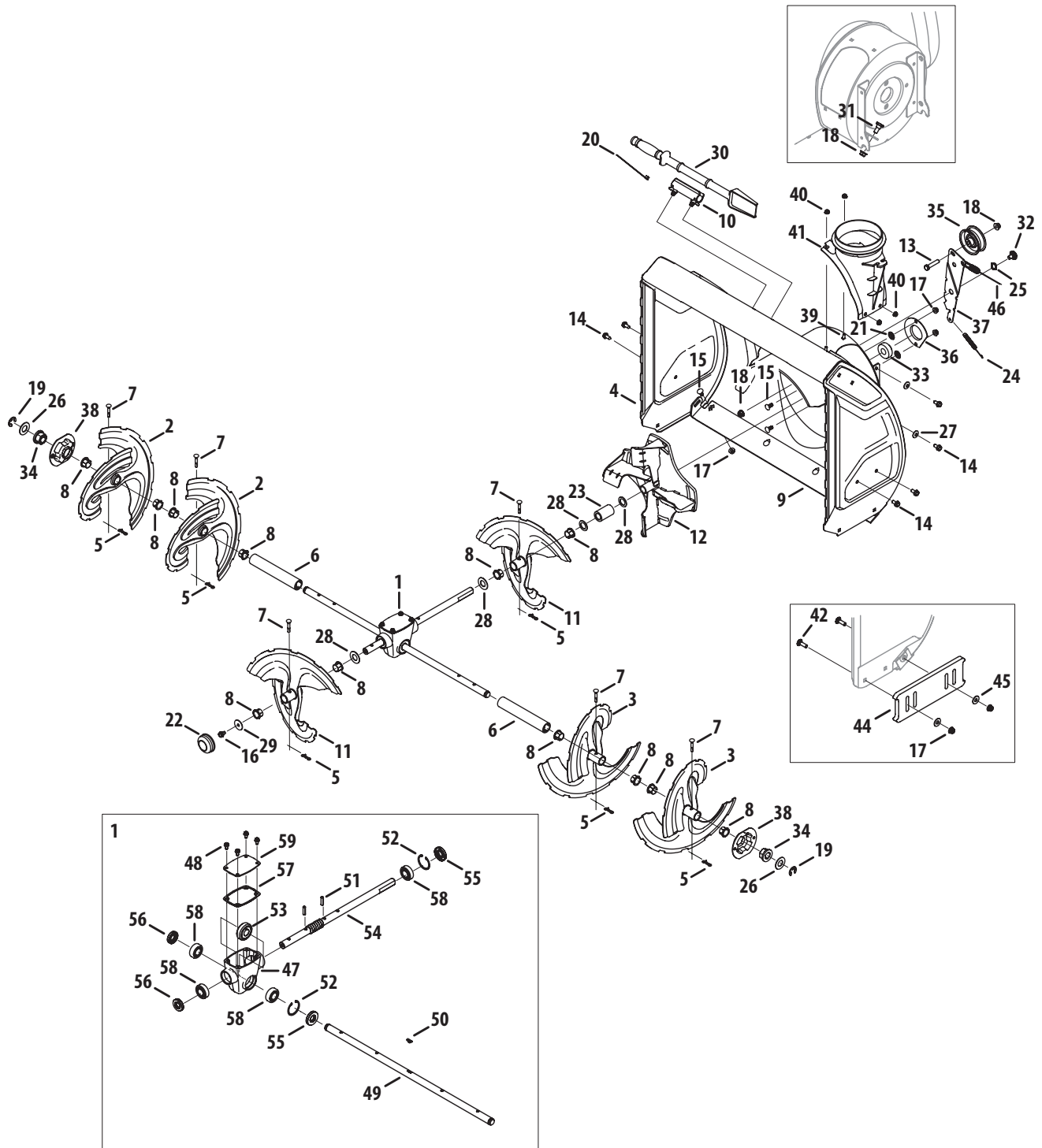


Auger & Auger Housing (26" HD)

Ref.	Part Number	Description
1	918-06039	Gearbox Assembly, Auger, 26"
2	684-04107	Spiral Assembly - LH
3	684-04108	Spiral Assembly - RH
4	684-05037	Auger Housing, 26"
5	714-04040	Bow Tie Cotter Pin
6	731-09486	Spacer, 1.25 OD x .75 ID x 6.83
7	738-04124A	Shear Pin
8	741-0493A	Flange Bushing, .800 x .910
9	790-00525	Shave Plate, 26"
10	731-2635	Clean-out Tool Mtg. Bracket
11	684-05015	Accelerator Assembly
12	684-05030	Impeller Assembly
13	710-0347	Hex Bolt, 3/8-16 x 1.75
14	710-04484	Screw, 5/16-18 x .750
15	710-0451	Carriage Bolt, 5/16-18 x .750
16	710-0607	Hex Washer Screw, 5/16-18 x .500
17	712-04063	Flange Lock Nut, 5/16-18
18	712-04065	Flange Lock Nut, 3/8-16
19	916-0231	E-ring, .75
20	725-0157	Cable Tie
21	926-04012	Push-On Nut, .25 Dia.
22	731-08637A	Hubcap
23	731-09659	Spacer, 1.25 OD x .75 ID x 2.61
24	732-04460	Extension Spring, .38 OD x 4.59
25	736-0174	Wave Washer, .625 x .885 x .0175
26	736-0188	Flat Washer, .76 x 1.49 x .06
27	736-0242	Bell Washer, .340 x .872 x .060
28	936-0287	Flat Washer, .793 x 1.24 x .06
29	736-3040	Flat Washer, .406 x 1.92 x .060

Ref.	Part Number	Description
30	931-2643	Clean-Out Tool
31	738-0143	Shoulder Screw, 3/8-16 x .496 x .336
32	938-0281	Shoulder Screw, 3/8-16 x .625 x .17
33	941-0309	Flange Ball Bearing, .75 x 1.85
34	741-05041	Hex Flange Bearing, .75 ID
35	756-04224	Flat Idler Pulley
36	790-00075	Bearing Housing
37	790-00080A	Auger Idler Bracket
38	790-00534	Bearing Housing
39	710-0703	Carriage Screw, 1/4-20 x 0.75
40	712-04064	Flange Lock Nut, 1/4-20
41	731-07525	Chute Adapter
42	710-0276	Spacer, Carriage, 5/16-18 x 1.00
43	783-08281	Gearbox Cover
44	731-06931	Deluxe Slide Shoe
45	936-0159	Washer, Flat, .349 x .879 x .063
46	946-04230A	Auger Clutch Cable
47	919-05029	Auger Housing
48	710-0642	Screw, 1/4-20 x 0.75
49	711-06144	Axle, Auger, 26"
50	914-0161	Hi-Pro Key
51	715-04034	Pin, Roll, .25 x 1.0
52	716-05001	Retainer Ring
53	917-04861	Worm Gear, 20T
54	917-05112	Worm Shaft
55	721-04612	Seal, .75 x 40mm x .25
56	721-04613	Seal, .75 x 1.375 x .25
57	921-04614	Gearbox Gasket
58	941-05042	Ball Bearing, .75 x 40 x 12

Auger & Auger Housing (30" HD)

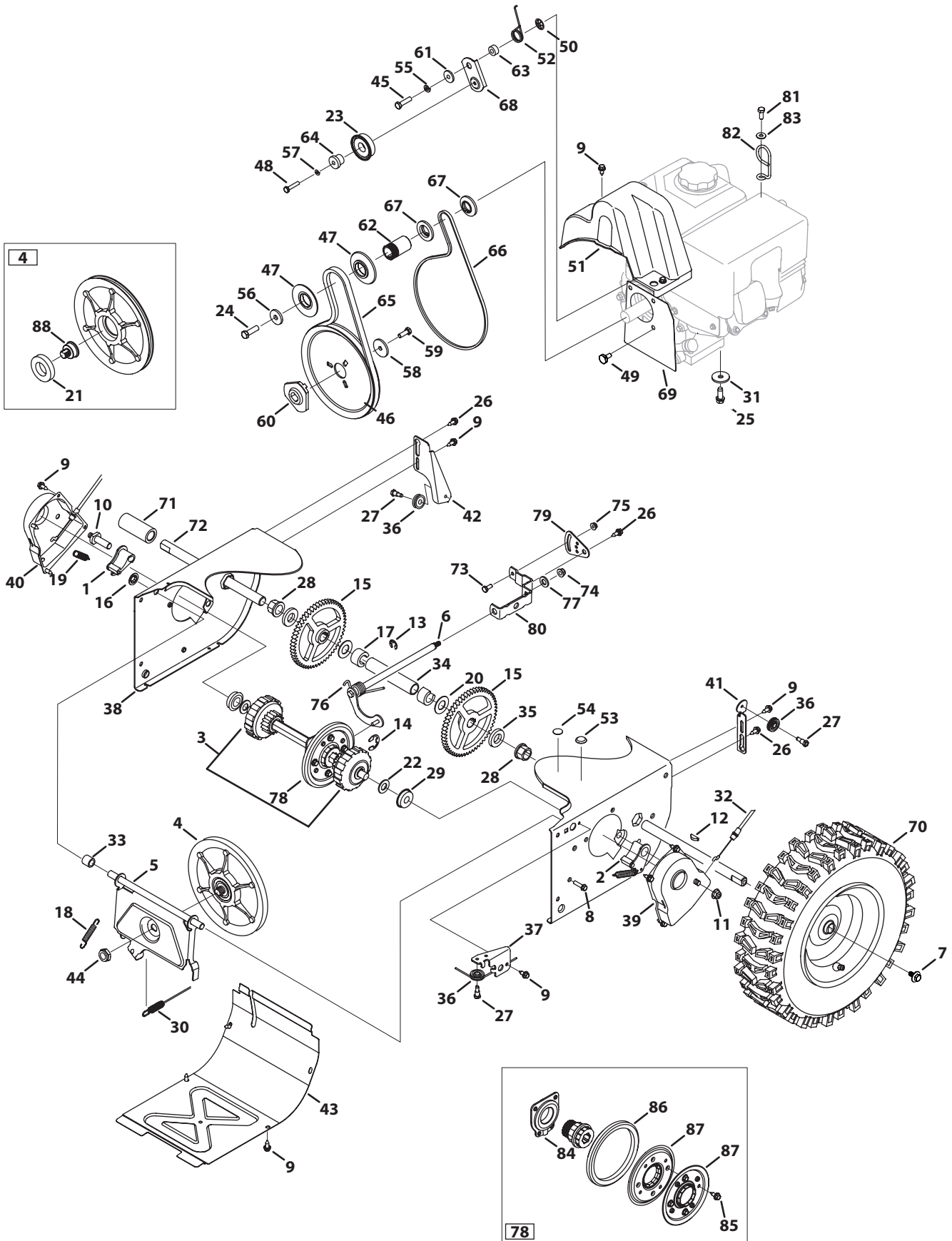


Auger & Auger Housing (30" HD)

Ref.	Part Number	Description
1	918-06061	Gearbox Assembly, Auger, 26"
2	684-05020	Spiral Assembly - RH
3	684-05021	Spiral Assembly - LH
4	684-05039	Auger Housing, 30"
5	714-04040	Bow Tie Cotter Pin
6	731-09557	Spacer, 1.25 OD x .75 ID x 7.38
7	738-04124A	Shear Pin
8	741-0493A	Flange Bushing, .800 x .910
9	790-00550	Shave Plate, 30"
10	731-2635	Clean-out Tool Mtg. Bracket
11	684-05015	Accelerator Assembly
12	684-05030	Impeller Assembly
13	710-0347	Hex Bolt, 3/8-16 x 1.75
14	710-04484	Screw, 5/16-18 x .750
15	710-0451	Carriage Bolt, 5/16-18 x .750
16	710-0607	Hex Washer Screw, 5/16-18 x .500
17	712-04063	Flange Lock Nut, 5/16-18
18	712-04065	Flange Lock Nut, 3/8-16
19	916-0231	E-ring, .75
20	725-0157	Cable Tie
21	926-04012	Push-On Nut, .25 Dia.
22	731-08637A	Hubcap
23	731-09659	Spacer, 1.25 OD x .75 ID x 2.61
24	732-04460	Extension Spring, .38 OD x 4.59
25	736-0174	Wave Washer, .625 x .885 x .0175
26	736-0188	Flat Washer, .76 x 1.49 x .06
27	736-0242	Bell Washer, .340 x .872 x .060
28	936-0287	Flat Washer, .793 x 1.24 x .06
29	736-3040	Flat Washer, .406 x 1.92 x .060

Ref.	Part Number	Description
30	931-2643	Clean-Out Tool
31	738-0143	Shoulder Screw, 3/8-16 x .496 x .336
32	938-0281	Shoulder Screw, 3/8-16 x .625 x .17
33	941-0309	Flange Ball Bearing, .75 x 1.85
34	741-05041	Hex Flange Bearing, .75 ID
35	756-04224	Flat Idler Pulley
36	790-00075	Bearing Housing
37	790-00080A	Auger Idler Bracket
38	790-00534	Bearing Housing
39	710-0703	Carriage Screw, 1/4-20 x 0.75
40	712-04064	Flange Lock Nut, 1/4-20
41	731-07525	Chute Adapter
42	710-0276	Spacer, Carriage, 5/16-18 x 1.00
43	783-08281	Gearbox Cover
44	731-06931	Deluxe Slide Shoe
45	936-0159	Washer, Flat, .349 x .879 x .063
46	946-04230A	Auger Clutch Cable
47	919-05029	Auger Housing
48	710-0642	Screw, 1/4-20 x 0.75
49	711-06127	Axle, Auger, 30"
50	914-0161	Hi-Pro Key
51	715-04034	Pin, Roll, .25 x 1.0
52	716-05001	Retainer Ring
53	917-04861	Worm Gear, 20T
54	917-05112	Worm Shaft
55	721-04612	Seal, .75 x 40mm x .25
56	721-04613	Seal, .75 x 1.375 x .25
57	921-04614	Gearbox Gasket
58	941-05042	Ball Bearing, .75 x 40 x 12

Drive System



Ref.	Part Number	Description
1	618-06987	Dogg Assembly, RH
2	618-06988	Dogg Assembly, LH
3	918-06072	Drive Shaft Assembly
4	656-04055	Friction Wheel Disc Assembly
5	684-04154B	Friction Wheel Support Bracket
6	684-04156A	Rod Shift Assembly
7	710-05339	Screw, 5/16-24 x .750
8	710-0788	Screw, 1/4-20 x 1.000
9	710-1652	Screw, 1/4-20 x .625
10	711-1268B	Actuator Shaft
11	712-04065	Nut, Flangelock, 3/8-16
12	914-0126	Hi-Pro Key, 3/16 x 3/4 DIA
13	916-0104	E-Ring
14	716-0136	Retainer Ring
15	917-04210	Gear, 56T
16	726-0221	Nut, Speed, .500
17	731-05297	Spacer, .76 x .75
18	932-0264	Extension Spring, .380 x 2.500
19	732-04345	Extension Spring, .500 x 1.71
20	736-0188	Washer, Flat, .76 x 1.49
21	741-04098	Ball Bearing, 30 x 55 x 13
22	750-06087	Spacer, .68 ID x 1.25 OD x .20
23	684-04169	Idler Pulley Assembly
24	710-0191	Hex Head Screw, 3/8-24 x 1.25
25	710-0654A	Taptite Sems Screw, 3/8-16 x 1.000
26	738-04184A	Screw, Shoulder, .368 x .113 x 1/4-20
27	738-0924A	Screw, Shoulder, .340 x .335 x 1/4-28
28	941-0245	Hex Flange Bearing, .75 ID
29	941-0563	Ball Bearing, 17 x 40 x 12
30	946-05067	Drive Clutch Cable
31	736-0320	Washer, Flat, .38 x 1.38
32	946-0956C	Steering Cable
33	748-0190	Spacer, .508 x .75
34	750-04474	Axle Support Tube
35	750-0767	Spacer, Axle
36	756-0625	Cable Roller
37	790-00096A	Auger Cable Guide Bracket
38	790-00183C	Wheel Drive Frame (26" & 28")
—	684-05041	Wheel Drive Frame (30")
39	790-00527	Shaft Retainer, LH

Ref.	Part Number	Description
40	790-00528	Shaft Retainer, RH
41	790-00206A	Auger Clutch Cable Guide Bracket
42	790-00207C	Drive Clutch Cable Guide Bracket
43	790-00316	Frame Cover
44	712-0417A	Nut, Flange, 5/8-18
45	710-0672	Hex Head Screw, 5/16-24 x 1.25
46	756-04109	Auger Pulley, 8.1 x .5
47	756-04113	Pulley, Half, 2.600
48	710-0809	Taptite Screw, 1/4-20 x 1.250
49	738-04439	Shoulder Screw, .500 x .145
50	926-04012	Nut, Push-On, .25 Dia.
51	731-06401	Belt Cover
52	732-04308A	Spring, Torsion, .850 x .333
53	735-04099†	Plug, 3/8 ID
54	735-04100†	Plug, 1/2 ID
55	936-0119	Washer, Lock, 5/16
56	736-3082A	Washer, Flat, .45 x 1.5
57	936-0329	Washer, Lock, 1/4
58	736-0505	Washer, Flat, .34 x 1.50
59	710-1245B	Hex Head Screw, 5/16-24 x .875
60	748-04053A	Pulley Adapter, .75 DIA
61	748-04112B	Spacer, Shoulder, .3175 x .500
62	750-04303	Spacer, .875 x 1.185
63	750-04477A	Spacer, .340 x .750
64	750-04571	Spacer, Shoulder, .260 x .785
65	954-04195A	Belt, .500 x 37
66	954-04201A	Belt, 3/8 x 35.68
67	756-04252	Pulley, Half, 3/8 x 1.7160
68	790-00208D	Drive Idler Bracket
69	790-00332	Cover Plate
70	634-04136-0931	Wheel, LH (28" & 30")
—	634-04137-0931	Wheel, RH (28" & 30")
—	634-04147A-0931	Wheel, LH (26")
—	634-04148A-0931	Wheel, RH (26")
71	731-04873	Spacer, 1.25 x .75 x 3.00
72	938-04180	Axle, .75 x 11.12
73	710-0751	Hex Head Screw, 1/4-20 x .620
74	712-04063	Nut, Flange Lock, 5/16-18
75	712-04064	Nut, Flange Lock, 1/4-20
76	732-04311A	Spring, Torsion, .750 x .968

Drive System

Ref.	Part Number	Description
77	936-3015	Washer, Flat, .469 x .875 x .105
78	684-04153C	Friction Wheel Assembly
79	790-00217A†	Speed Selector Pivot Bracket
80	790-00218A	Speed Selector Shift Bracket (STD)
—	790-00575	Speed Selector Shift Bracket (HD)
81	710-04022	Hex Head Screw, 1.25 x 20
82	732-04677	Cable Guide
83	936-0264	Washer, Flat, .330 x .630
84	618-0063A	Bearing Assembly, Friction Wheel
85	710-04484	Screw, 5/16-18 x .75
86	935-04054	Friction Wheel, 5.5 OD
87	790-00174C	Friction Wheel Plate
88	738-04164A	Friction Pin, Disc Bearing

† If Equipped

777D19026



777D19027



777D19028



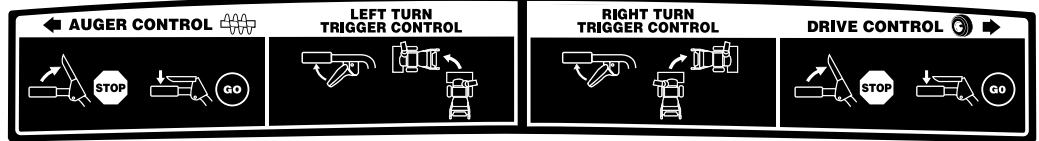
777D19030



777123013



777122340



777122363



777D19024



777S32636



777D19025



777122339 (STD)



777X43688



777122341 (Steel)



777D15109



777D15110



777D15113



777D15114



777S32280 (Steel)



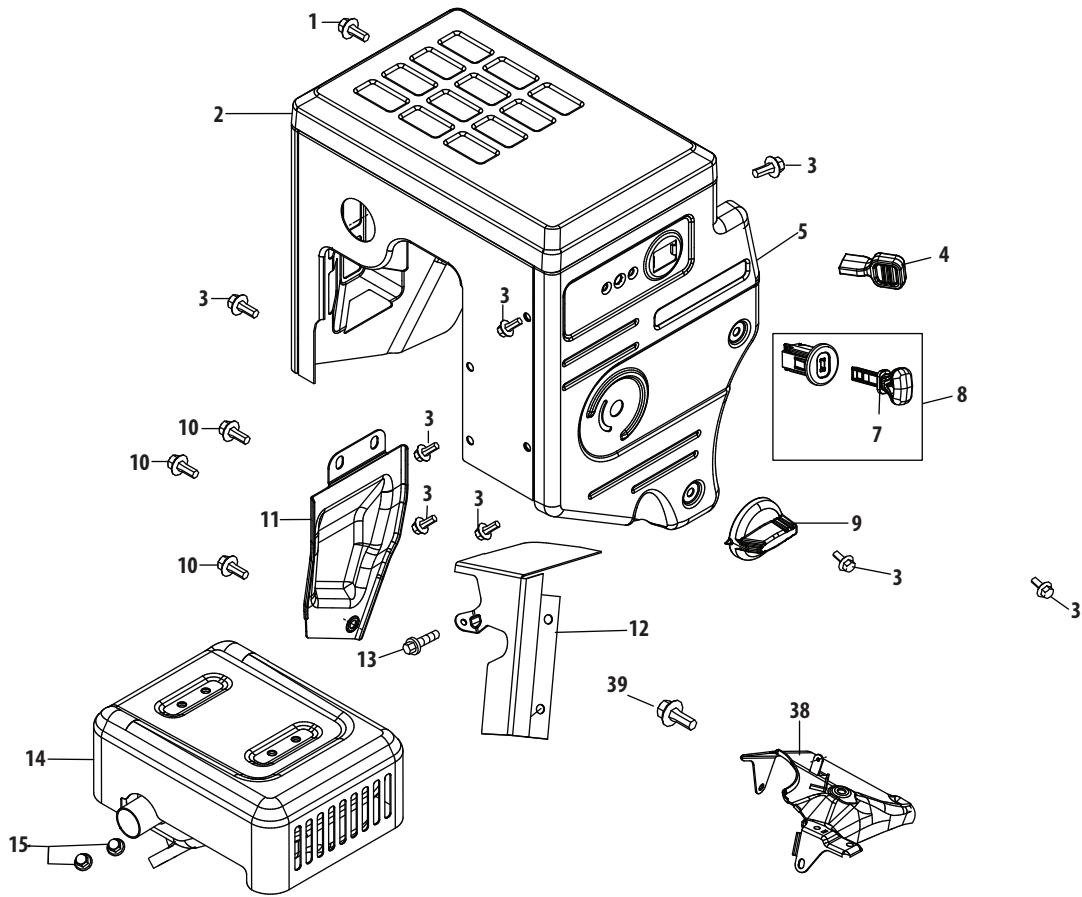
777D19023 (Steel)



777D19022 (STD)



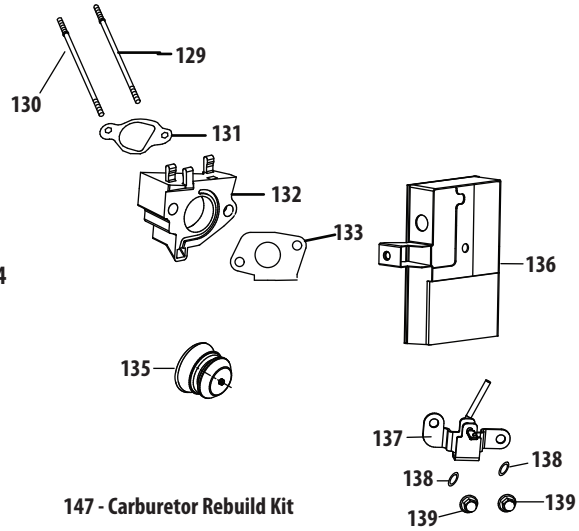
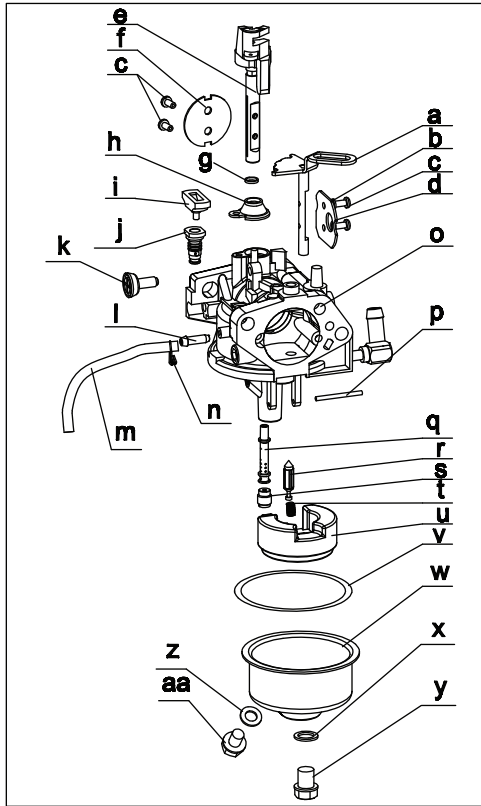
Engine Model 483-SUB Muffler & Controls



Ref.	Part Number	Description
1	710-04915	Bolt M6×12
2	951-11339	Muffler Shield
3	710-04915	Bolt M6×12
4	951-10757	Throttle Control Knob
5	951-11595	Control Panel
7	731-05632	Key
8	951-10637	Key Switch Assembly
9	951-11302	Choke Knob

Ref.	Part Number	Description
10	710-04914	Bolt M6×10
11	951-11181	Exhaust Pipe Shield
12	951-11321	Carburetor Heat Shield
13	710-04968	Bolt M6×16
14	951-11338	Muffler Assembly
15	712-05015	Nut, M8
38	951-11311	Throttle Control Assembly
39	710-04915	Bolt M6×12

483-SUB Carburetor

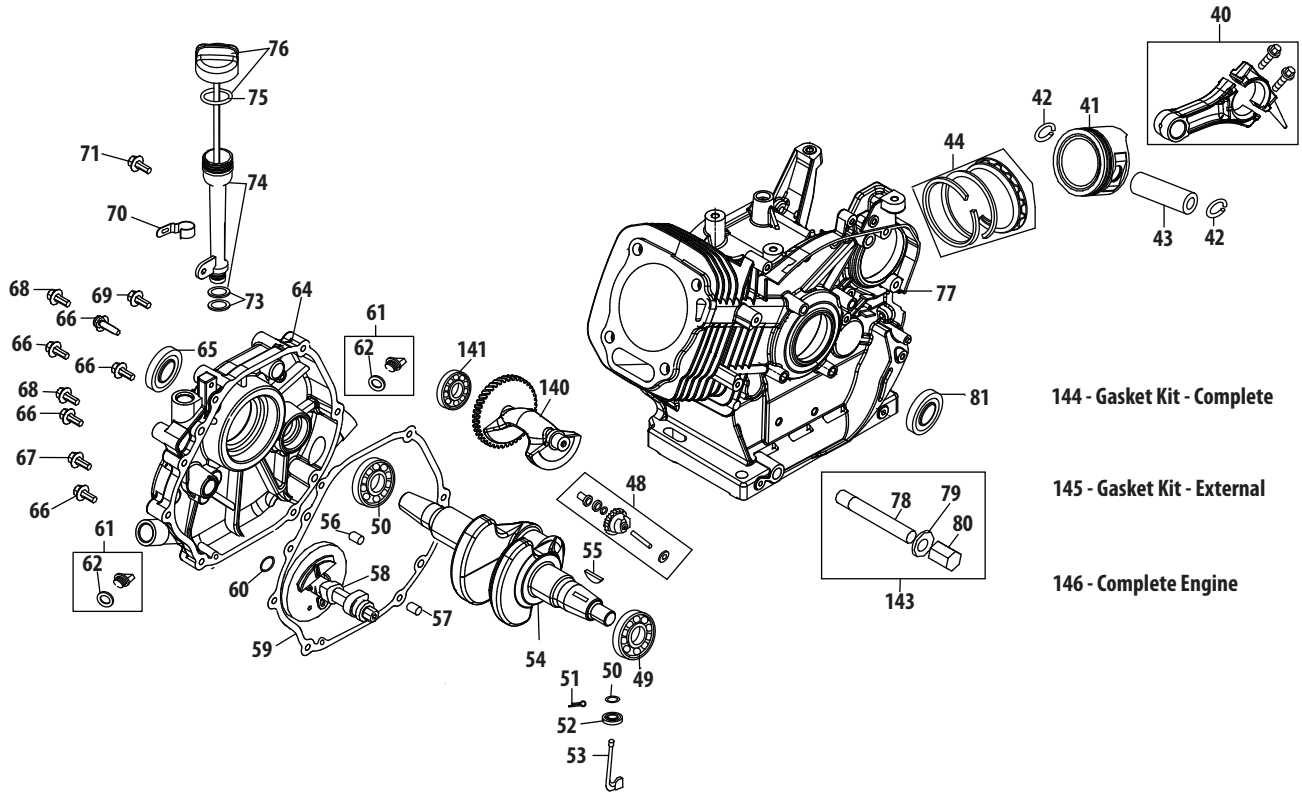


147 - Carburetor Rebuild Kit

Ref.	Part Number	Description
129	710-05392	Stud M6-8x100
130	710-05056	Stud M6-8x118
131	951-11315	Carburetor Intake Gasket
132	951-11316	Carburetor Insulator
133	951-11223	Carburetor Gasket
134	951-14023A	Carburetor Assembly
135	951-10639A	Primer Assembly
135	951-11824	Primer Bulb
136	951-11304	Heater Box
137	951-11192	Choke Assembly
138	736-04477	Lock Washer
139	712-05015	Nut M6
147	951-12760A	Carburetor Rebuild Kit (Inc. i,j,p,q,r,s,t,u,v,x,z)
a	n/a	Choke Shaft
b	736-04638	Choke Control Lever Washer
c	710-05469	Fuel Shutoff Lever Screw
d	n/a	Choke Plate
e	n/a	Throttle Shaft
f	n/a	Throttle Plate
g	n/a	Gasket

Ref.	Part Number	Description
h	n/a	Throttle Shaft Cover
i	n/a	Idle Jet Rivet
j	n/a	Idle Jet Assembly
k	n/a	Idle Speed Adjusting Screw
l	n/a	Primer Pipe
m	751-11991	Primer Hose
n	951-11906	Primer Hose Clamp
o	n/a	Carburetor Body
p	n/a	Float Pin
q	n/a	Emulsion Tube
r	n/a	Nickel Plated Brass Needle Valve
s	n/a	Main Jet
t	n/a	Needle Valve Spring
u	n/a	Float
v	951-11970	Fuel Bowl Gasket
w	n/a	Fuel Bowl
x	951-11348	Fuel Bowl Gasket
y	710-04945	Fuel Bowl Mounting Bolt
z	951-11349	Fuel Drain Plug Gasket
aa	710-04938	Fuel Drain Plug

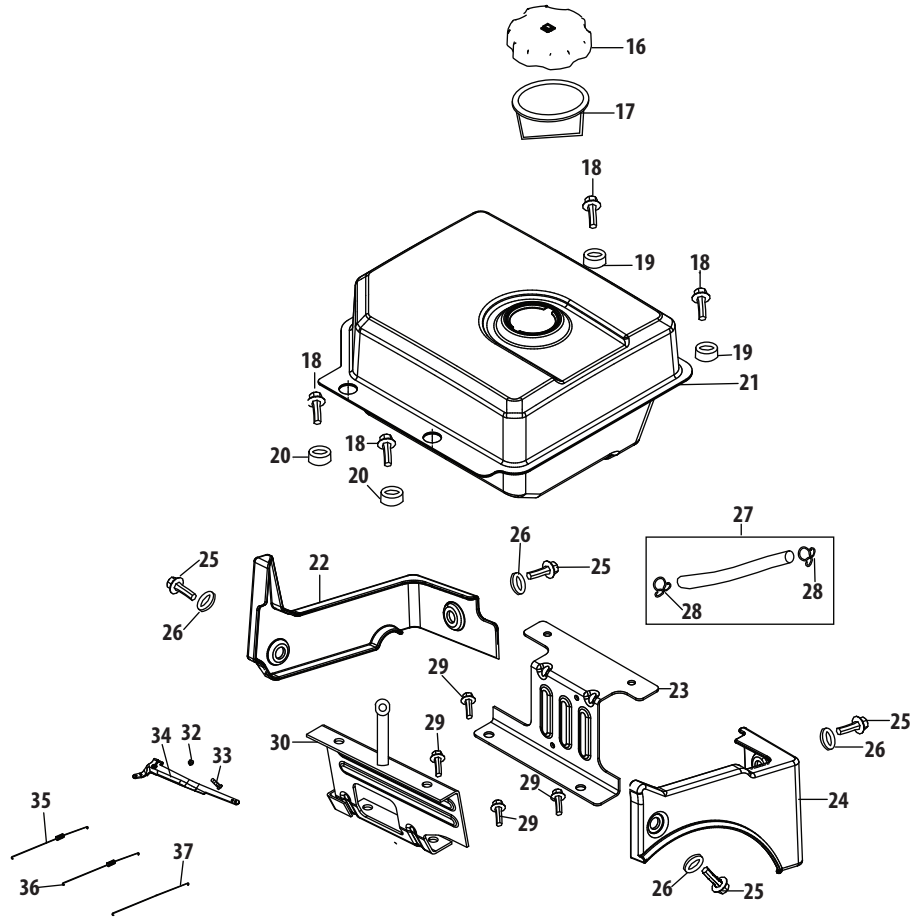
483-SUB Crankcase



483-SUB Crankcase

Ref.	Part Number	Description	Ref.	Part Number	Description
40	951-11951	Connecting Rod Assembly	68	710-06063	Bolt M8×35
41	951-11952	Piston	69	710-04968	Bolt M6×16
42	951-11953	Piston Pin Snap Ring	70	951-11320	Oil Tube Support Bracket
43	951-11954	Piston Pin	71	710-05349	Bolt M6×8
44	951-12579	Piston Ring Set	73	951-11381	Oil Fill Tube O-Ring
48	951-11956	Governor Gear/Shaft Assembly	74	951-12073	Oil Fill Tube Assembly
49	951-11373	Radial Ball Bearing	75	951-11904	Dipstick O-Ring
50	736-04453	Flat Washer	76	951-11971A	Dipstick Assembly
51	714-04077	Governor Shaft Clip	77	951-11341A	Crankcase Kit
52	951-11958	Governor Seal			(Inc.49,52,77,81)
53	951-11365	Governor Arm Shaft		951-11328B	Short Block Assembly
54	951-11342	Crankshaft Kit			(Inc.40-44,48-68,77-81, 102,105,106,108,110,111, 125,131,132,140,141)
55	951-10307	Woodruff Key	78	951-11350	Oil Drain Pipe
56	715-04102	Dowel Pin 9 X 12	79	736-04440	Drain Pipe Washer 10X16X1.5
57	715-04092	Dowel Pin 7 X 14	80	710-04906	Oil Drain Plug Bolt
58	951-11959	Camshaft Assembly	81	951-11499	Oil Seal
59	951-11376	Crankcase Cover Gasket	140	951-11968	Balance Gear Assembly
60	736-04545	Washer	141	951-11969	Bearing
61	951-11345	Oil Fill Plug Assembly	143	951-10641	Oil Drain Asm
62	951-11577	O-Ring	144	951-11330A	Gasket Kit - Complete
64	951-14220	Crankcase Cover			(Inc.52,59,65,79,81,106, 108,125,131-133)
	951-11340	Crankcase Cover Kit			
		(Inc.49,59,60,64-68)	145	951-11331	Gasket Kit - External
65	951-11375	Oil Seal			(Inc.79,108,125,131-133)
66	710-06061	Bolt M8×38	146	952Z483-SUB	Complete Engine
67	710-06062	Bolt M8×45			

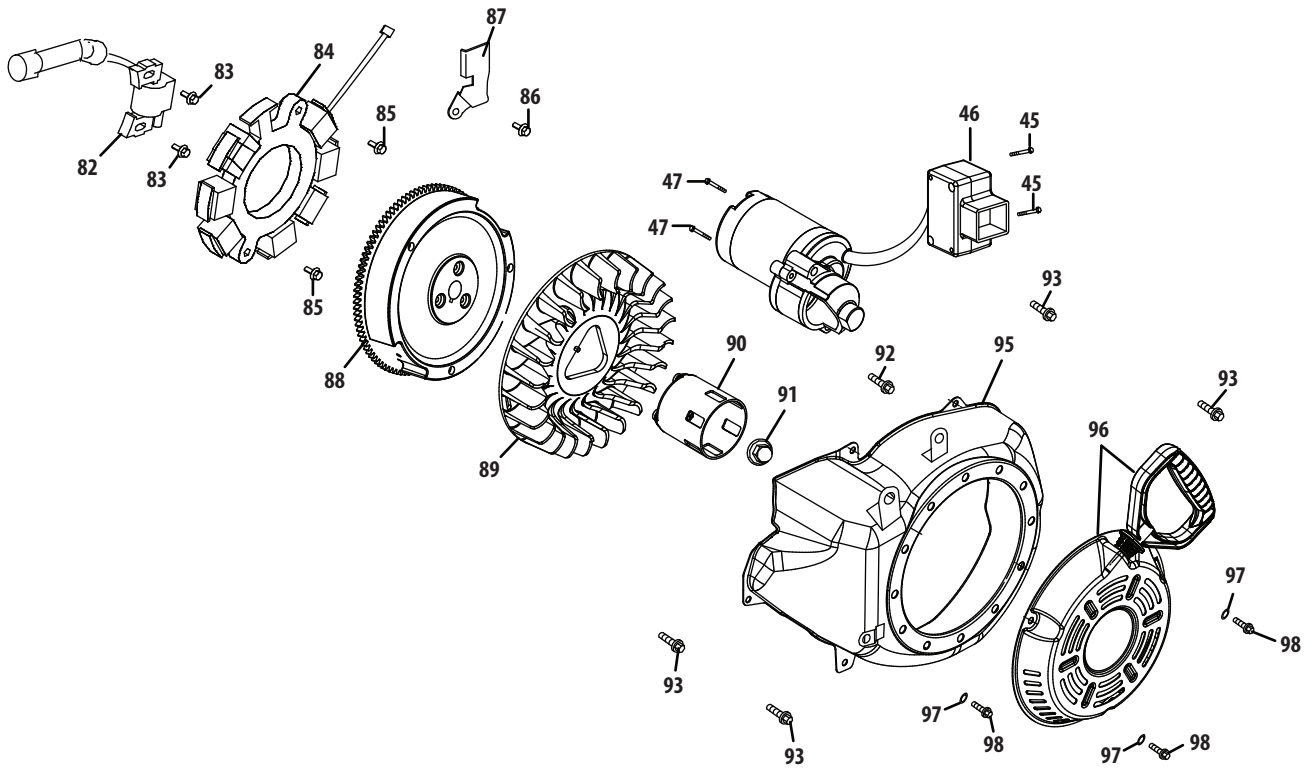
483-SUB Fuel Tank & Mounting



Ref.	Part Number	Description
16	951-12533	Fuel Cap Assembly
17	951-11933	Fuel Level Indicator
18	710-04970	Bolt M8×20
19	750-05312	Bushing, Slot
20	750-05313	Bushing, Rnd
21	951-11201	Fuel Tank Assembly
22	951-11319	Fuel Tank Shroud
23	951-11318	Fuel Tank Mounting Bracket
24	951-11351	Engine Shroud
25	710-04968	Bolt M6×16
26	736-04452	Bush

Ref.	Part Number	Description
27	951-11336	Fuel Line Kit
28	951-11700	Fuel Hose Clamp
29	710-04921	Bolt M8×14
30	951-11182	Fuel Tank Mounting Bracket
32	712-04212	Flange Nut M6
33	710-04908	Governor Arm Bolt M6X21
34	951-11307	Governor Arm
35	951-11306	Governor Spring
36	951-11203	Throttle Return Spring
37	951-11309	Governor Rod

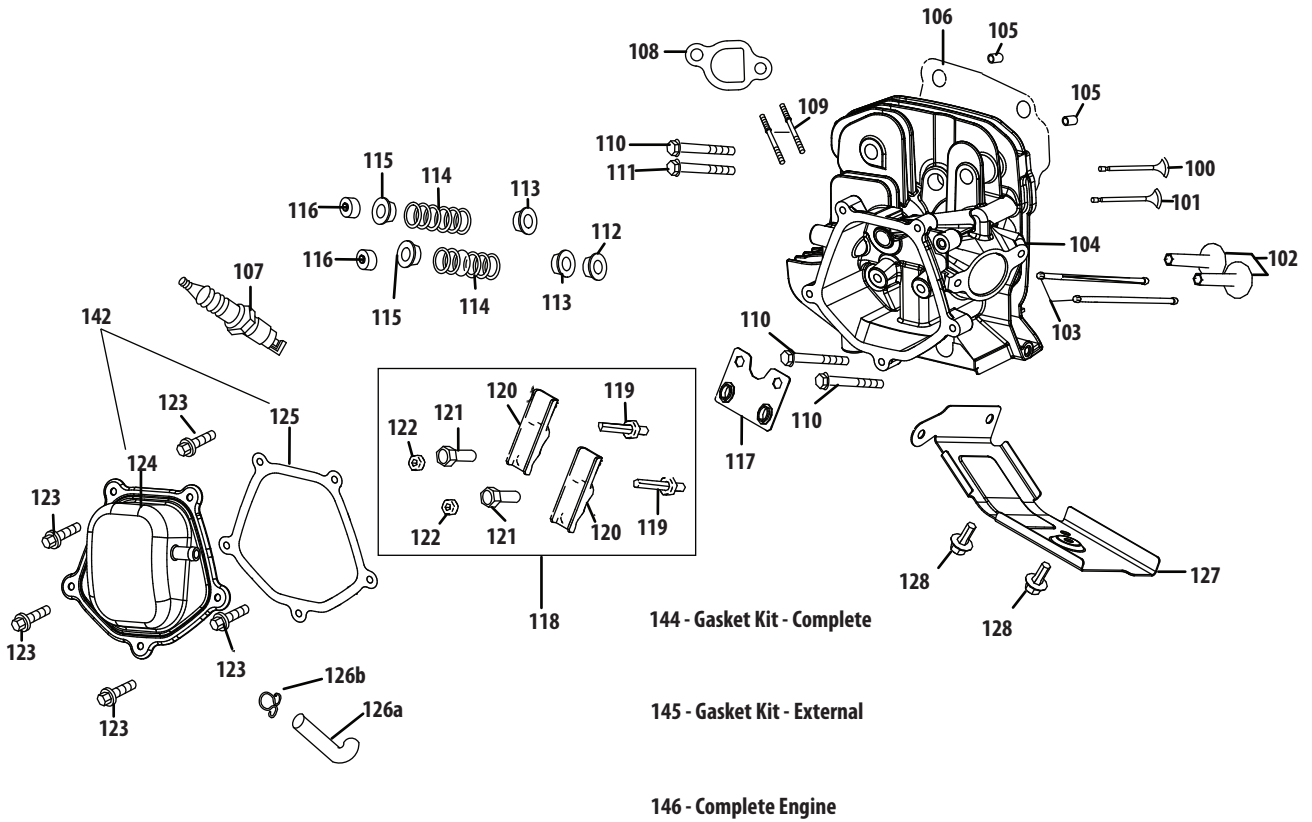
483-SUB Starter Assembly & Blower Housing



Ref.	Part Number	Description
45	710-04965	Screw M4 X 55
46	951-11196	Electric Starter
47	710-04967	Bolt M8x55
82	951-11305	Ignition Coil Assembly
83	710-05350	Ignition Coil Bolt
84	951-12553	Alternator Assembly
85	710-04969	Bolt M6x30
86	710-04966	Bolt M6x8
87	951-11186	Alternator Wire Clamp Bracket
88	951-12556	Flywheel

Ref.	Part Number	Description
89	951-11313	Cooling Fan
90	951-11314	Starter Cup
91	712-04220	Flywheel Nut, M14x1.5
92	710-04968	Bolt M6x16
93	710-04915	Bolt M6x12
95	951-11211	Blower Housing
96	951-14223	Recoil Starter Assembly
97	736-04455	Flat Washer
98	710-04974	Bolt M6x10

483-SUB Cylinder Head



483-SUB Cylinder Head

Ref.	Part Number	Description	Ref.	Part Number	Description
100	951-11337	Valve Kit	116	951-12081	Exhaust Lash Cap
101	951-11337	Valve Kit	117	951-11965	Push Rod Guide
102	951-11962	Tappet	118	951-11981	Rocker Arm Assembly
103	951-11335	Push Rod Kit	119	710-04962	Bolt, Pivot
104	951-12555	Cylinder Head Kit (Inc.106,110-112,125)	120	951-11966	Rocker Arm
	951-11329B	Cylinder Head Assembly (Inc.100,101,104,106,108-112, 114-122,125,129-133)	121	751-11123	Adjusting Nut ,Valve
105	715-04097	Dowel Pin	122	751-11124	Pivot Locking Nut
106	951-11963	Cylinder Head Gasket	123	710-05054	Valve Cover Bolt
107	951-10292	Spark Plug/F6Rtc	124	951-11220	Valve Cover
108	951-11212	Muffler Gasket	125	951-11967	Valve Cover Gasket
109	710-04964	Exhaust Stud M8×48.5	126a	951-11221	Breather Hose
109	951-11207	Muffler Stud Assembly	126b	726-04101	Breather Hose Clamp
110	710-06064	Bolt M10×1.25×87	127	951-11317	Cylinder Baffle
111	710-06065	Bolt M10×1.25×65	128	710-04915	Bolt M6×12
112	951-11964	Intake Valve Seal	142	951-11333	Valve Cover Kit
113	951-12077	Intake Valve Spring Retainer	144	951-11330A	Gasket Kit - Complete (Inc.52,59,65,79,81,106, 108,125,131-133)
114	951-12078	Valve Spring	145	951-11331	Gasket Kit - External (Inc.79,108,125,131-133)
115	951-12080	Exhaust Valve Spring Retainer	146	952Z483-SUB	Complete Engine

A series of horizontal lines for writing notes.



To order replacement parts, call a Customer Support Representative at (800) 965-4CUB.
Locate your nearest Cub Cadet dealer at (877) 282-8684
or visit www.cubcadet.com to find the nearest Cub Cadet dealer in your area.

CUB CADET LLC, P.O. BOX 361131 CLEVELAND, OHIO 44136-0019
