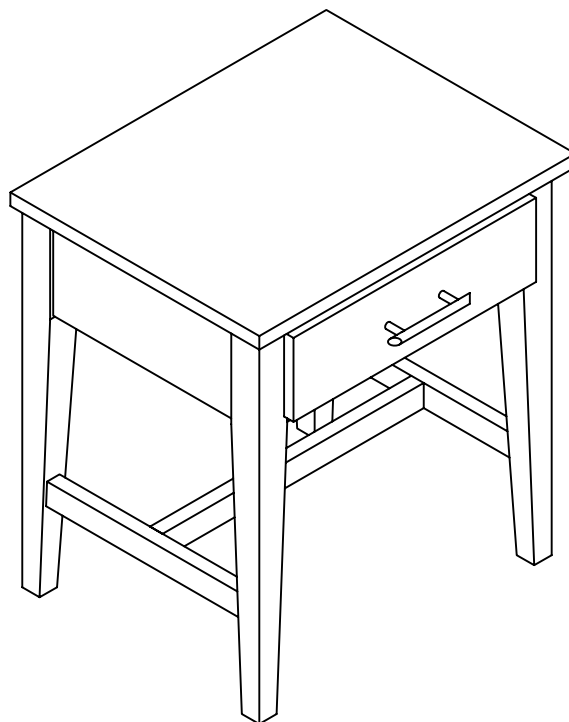


USE AND CARE GUIDE

1-DRAWER END TABLE



Questions, problems, missing parts? Before returning to the store,
call Home Decorators Collection Customer Service.
8 a.m. – 7 p.m., EST, Monday – Friday, 9 a.m. – 6 p.m., EST, Saturday

1-800-998-7021

HOMEDEPOT.COM/HOMEDECORATORS

THANK YOU

We appreciate the trust and confidence you have placed in Home Decorators Collection through the purchase of this 1-drawer end table. We strive to continually create quality products designed to enhance your home. Visit us online to see our full line of products available for your home improvement needs. Thank you for choosing Home Decorators Collection!

Table of Contents

Table of Contents.....	2	Hardware Included.....	3
Safety Information.....	2	Pre-assembly (continued).....	4
Warranty.....	2	Package Contents.....	4
3 Year Warranty.....	2	Assembly.....	5
What is Covered.....	2		
What is Not Covered.....	2		
Pre-assembly.....	3		
Planning Assembly.....	3		
Tools Required.....	3		

Safety Information



DANGER

- Keep small parts away from children during assembly.
- Read and follow instructions carefully.



WARNING

- Read these instructions carefully and keep in a safe place.
- TO GUARANTEE THE SAFE USE OF THIS PRODUCT, FOLLOW THE WARNINGS, GUIDELINES AND RECOMMENDATIONS IN THIS MANUAL.
- Adult assembly required.
- Small parts may present choking hazard prior to assembly.
- Do not place heavy objects on the glass top.
- Some assembly may involve attaching glass or mirrors.
- Be very careful handling the glass or mirrors, as severe injury may result if the glass or mirror breaks.
- Never handle large pieces of glass or mirrors by yourself.



CAUTION

- Do not use power tools to assemble your furniture. Power tools may strip or damage parts/product.
- Do not overtighten connectors (screws, bolts, etc.). Overtightening can lead to product damage.
- Be sure to check all packing materials carefully for small parts that may have come loose inside the carton during shipment. If parts are missing, contact THE HOME DEPOT to obtain any missing parts.
- DO NOT USE SUBSTITUTE PARTS.
- This product should only be used on a flat, level surface.

Warranty

3 YEAR WARRANTY

WHAT IS COVERED

We guarantee this product to be free of manufacturing defects to the original purchaser for three years.

WHAT IS NOT COVERED

This warranty does not cover commercial use, acts of nature, and abusive use.

Pre-assembly

PLANNING ASSEMBLY

Keep children and pets away from build area. Make sure your area is large enough to unpack, sort and assemble the unit.

TOOLS REQUIRED



Small head
Phillips
screwdriver

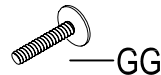
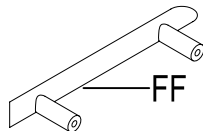
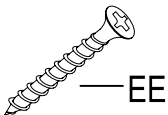
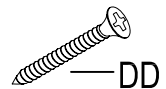
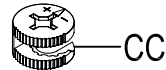
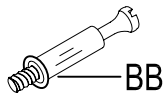
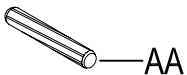


Large head
Phillips
screwdriver

HARDWARE INCLUDED



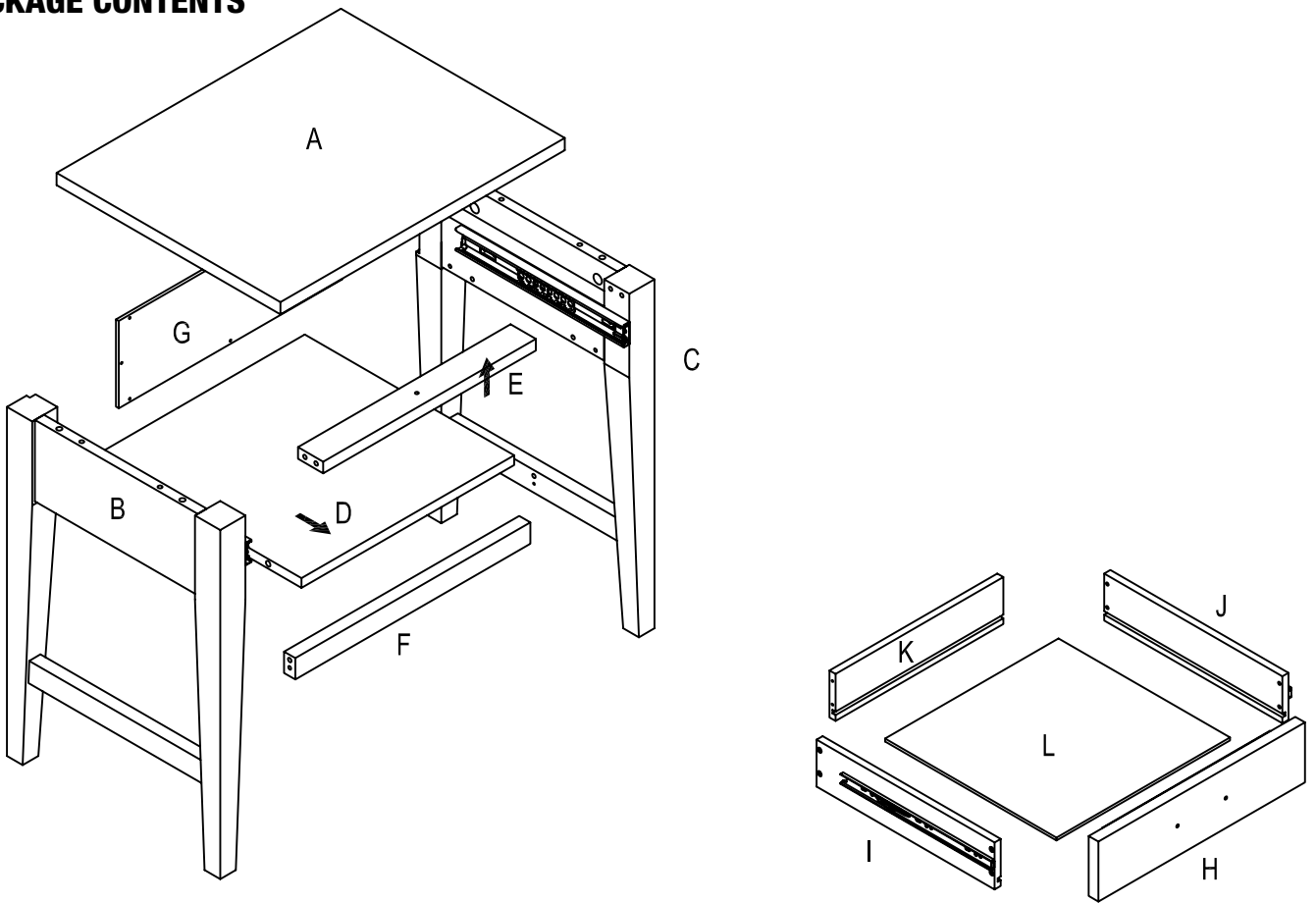
NOTE: Hardware not shown to actual size.



Part	Description	Quantity
AA	Wood dowel	14
BB	Cam lock bolt	8
CC	Cam lock	8
DD	1 in. Flat head screw	9
EE	1-1/2 in. Flat head screw	2
FF	Handle	1
GG	Handle bolt	2
HH	5/8 in. Round head screw	8

Pre-assembly (continued)

PACKAGE CONTENTS



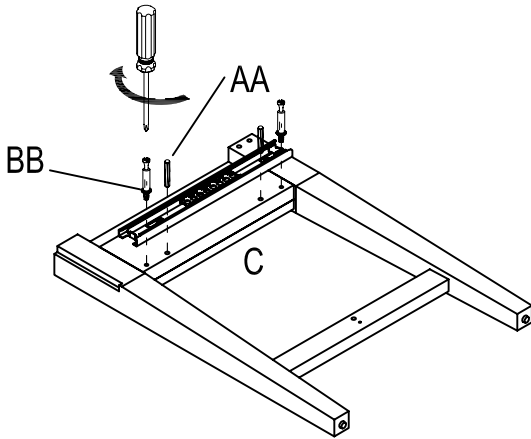
Part	Description	Quantity
A	Top panel	1
B	Left side frame	1
C	Right side frame	1
D	Fixed panel	1
E	Top crossbar	1
F	Bottom crossbar	1

Part	Description	Quantity
G	Back panel	1
H	Drawer front panel	1
I	Drawer left side panel	1
J	Drawer right side panel	1
K	Drawer back panel	1
L	Drawer bottom panel	1

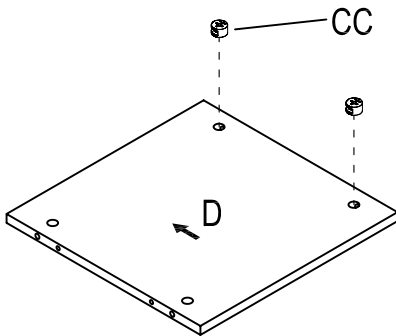
Assembly

1 Attaching the fixed panel to the Right side frame

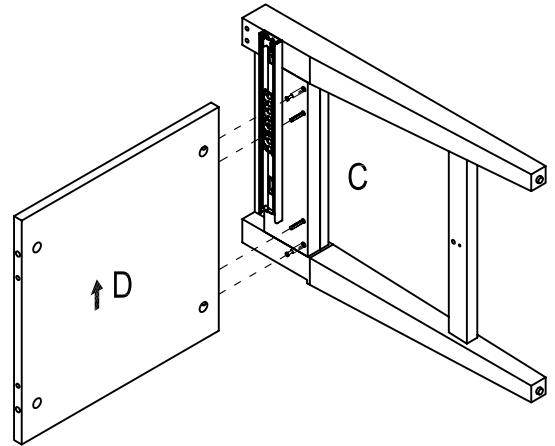
- a) Install dowel (AA) and bolt (BB) into frame (C).



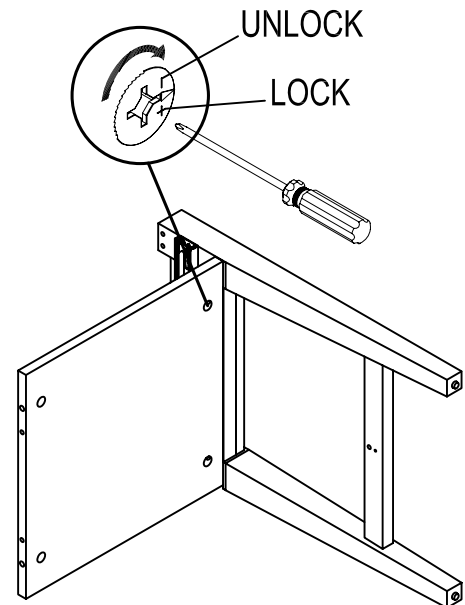
- b) Insert lock (CC) into panel (D).



- c) Join panel (D) to the frame (C) with dowel (AA).



- d) Tighten bolt (BB) with lock (CC) in the pre-drilled holes.

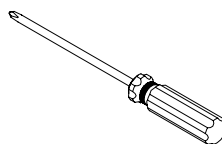
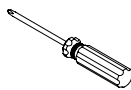
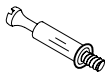


Wood dowel Cam lock bolt Cam lock Small head Large head

(AA) x 2

(BB) x 2

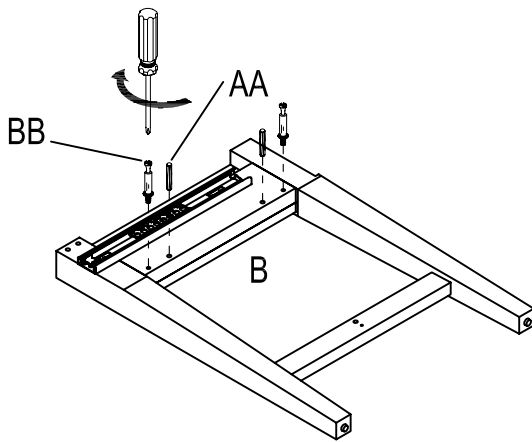
(CC) x 2



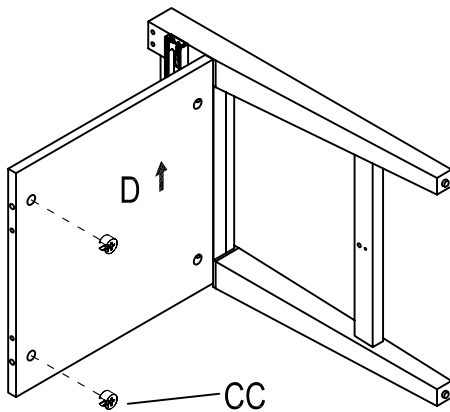
Assembly (continued)

2 Attaching the left side frame and crossbar

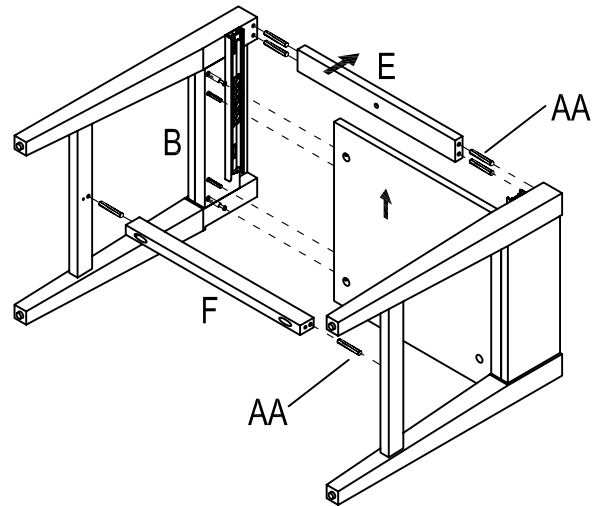
- a) Install dowel (AA) and bolt (BB) into frame (B).



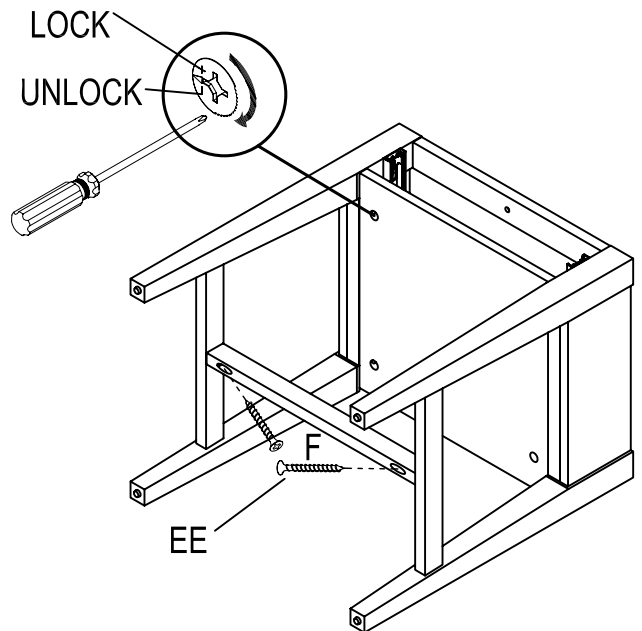
- b) Insert lock (CC) into panel (D).



- c) Join frame (B) and bars (E), (F) to the assembled body with dowel (AA).

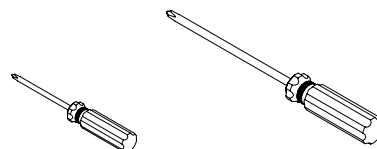


- d) Tighten bolt (BB) with lock (CC) in the pre-drilled holes. Tighten bar (F) with screw (EE).



Wood dowel (AA) x 8
 Cam lock bolt (BB) x 2
 Cam lock (CC) x 2
 1-1/2 in. Flat head screw (EE) x 2

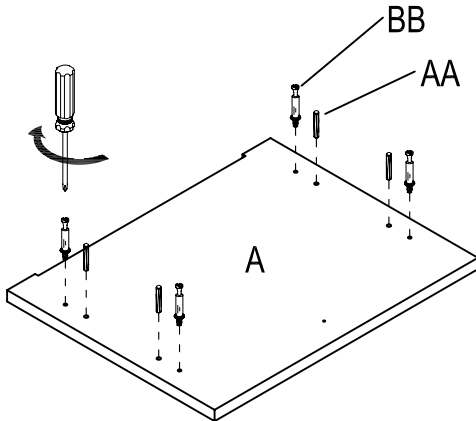
Small head
 Large head



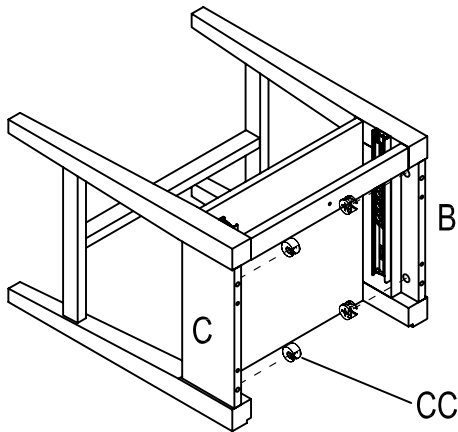
Assembly (continued)

3 Attaching the top panel

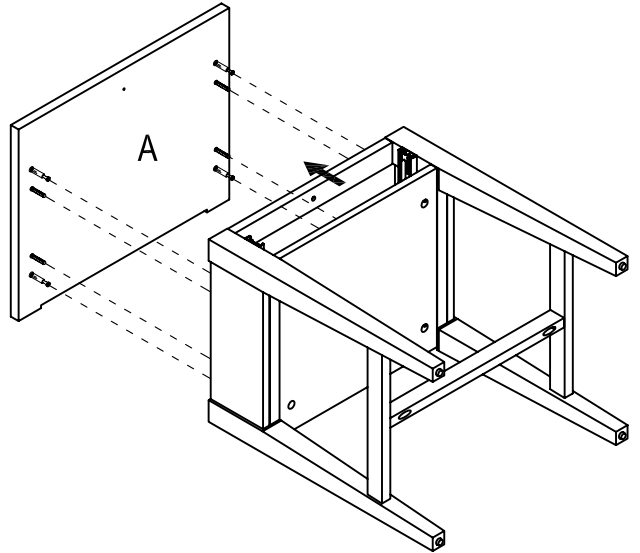
- a) Install dowel (AA) and bolt (BB) into panel (A).



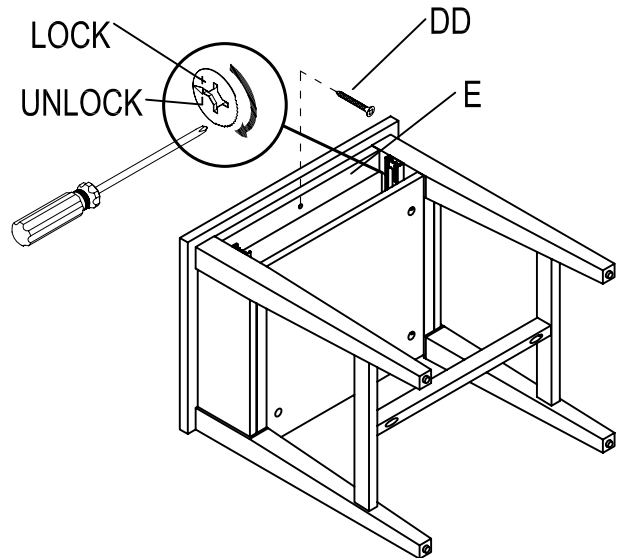
- b) Insert lock (CC) into frames (B) and (C).



- c) Join panel (A) to the assembled body with dowel (AA).

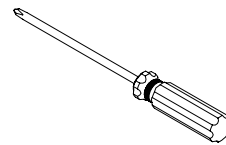
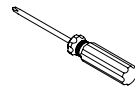
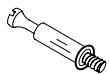


- d) Tighten bolt (BB) with lock (CC) in the pre-drilled holes. Tighten bar (E) with screw (DD).



Wood dowel Cam lock bolt Cam lock 1 in. Flat head screw Small head Large head

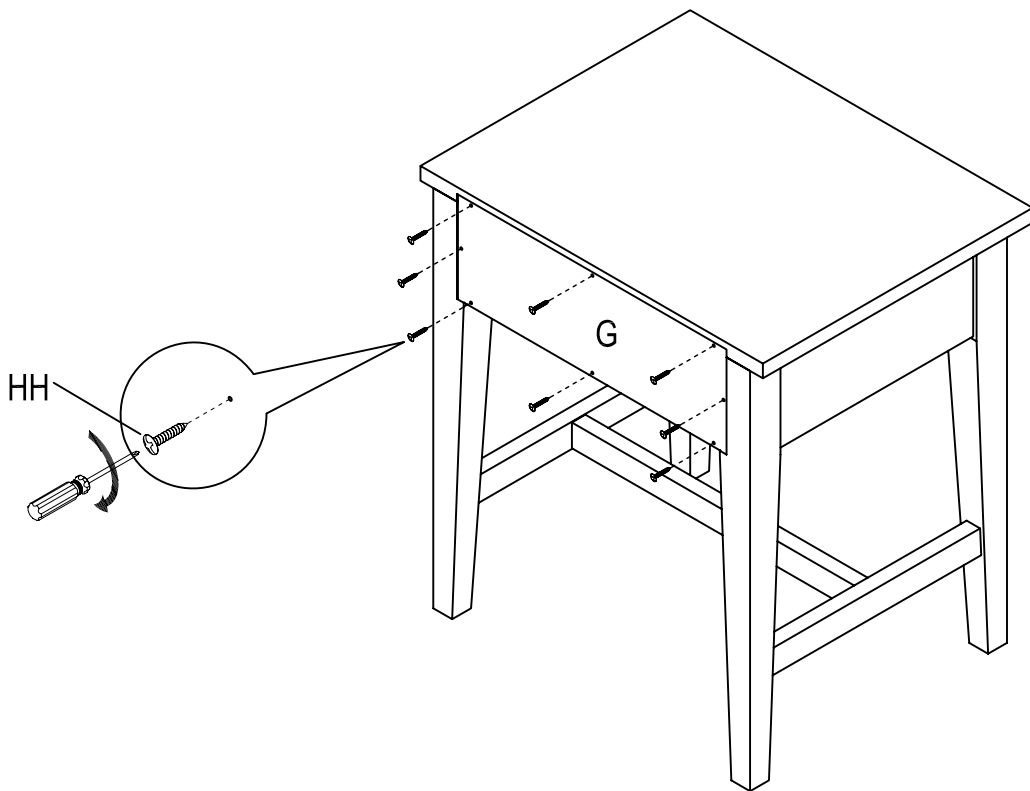
(AA) x 4 (BB) x 4 (CC) x 4 (DD) x 1



Assembly (continued)

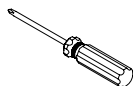
4 Attaching the back panel

- Tighten panel (G) to the assembled body with screws (HH) as shown.



5/8 in. Round
head screw
(HH) x 8

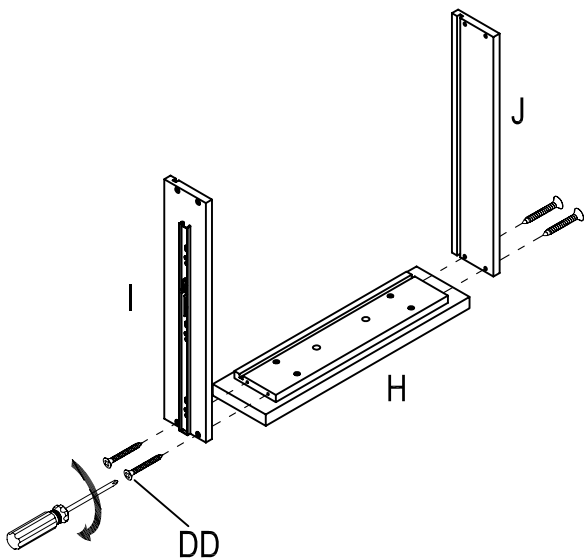
Small head



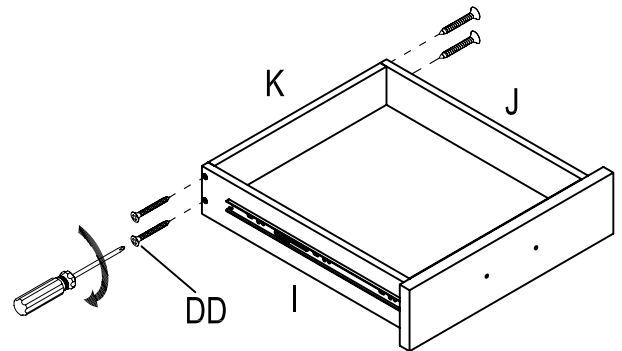
Assembly (continued)

5 Assembling the drawer

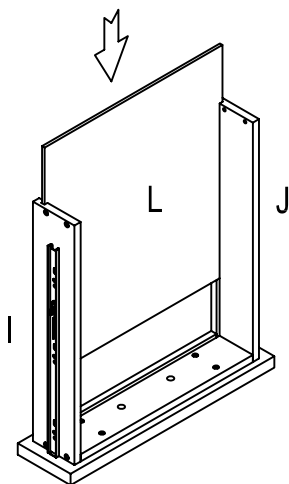
- a) Tighten panels (I) and (J) to panel (H) with screw (DD).



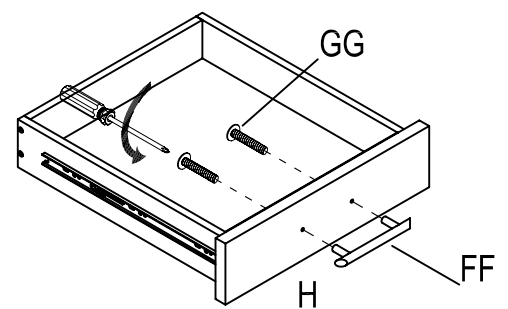
- c) Tighten panel (K) to the assembled body with screw (DD).



- b) Slide panel (L) into the grooves on panels (I) and (J).



- d) Tighten handle (FF) to panel (H) with bolt (GG).



1 in. Flat head screw

Handle

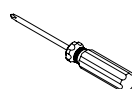
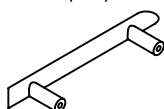
Bolt

Small head

(DD) x 8

(FF) x 1

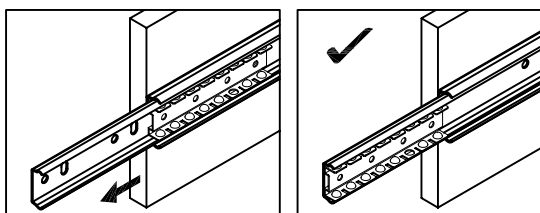
(GG) x 2



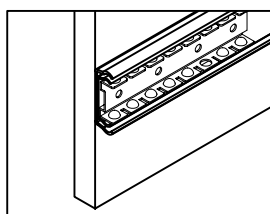
Assembly (continued)

6 Finalizing the assembly

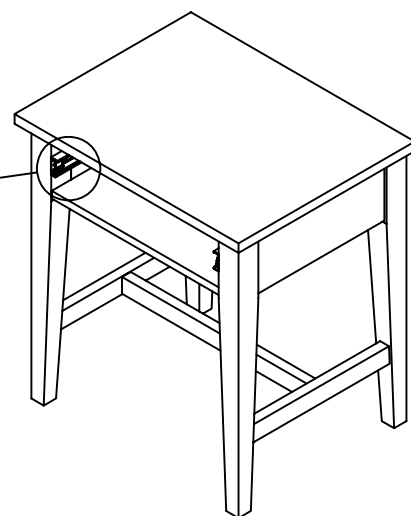
- Insert the drawer into the assembled body as shown.



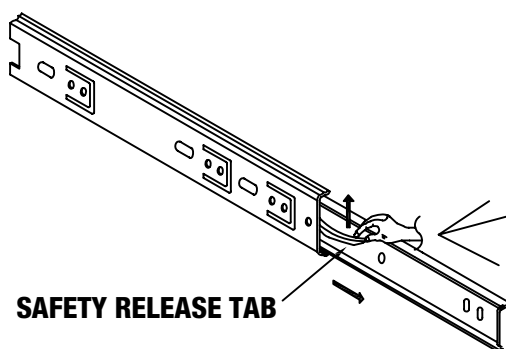
1. Pull out slide. Slide bearings forward.



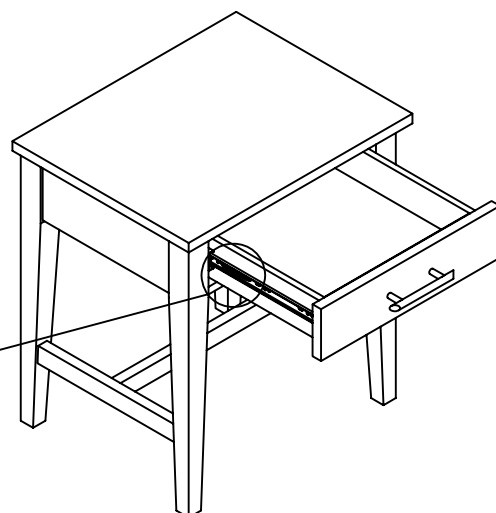
2. Push slide back inside.
Repeat for every slide!



NOTE: Make sure the slide piece is at the front end of the glide when installing the drawer into the body.



SAFETY RELEASE TAB



NOTE: When removing the drawer, tip-up the safety release tab to remove the drawer from the body.

HOME
DECORATORS
COLLECTION®

Questions, problems, missing parts?
Before returning to the store, call Home Decorators Collection Customer Service.
8 a.m. – 7 p.m., EST, Monday – Friday, 9 a.m. – 6 p.m., EST, Saturday

1-800-998-7021

[HOMEDEPOT.COM/HOMEDECORATORS](https://www.homedepot.com/homedecorators)

Retain this manual for future use.