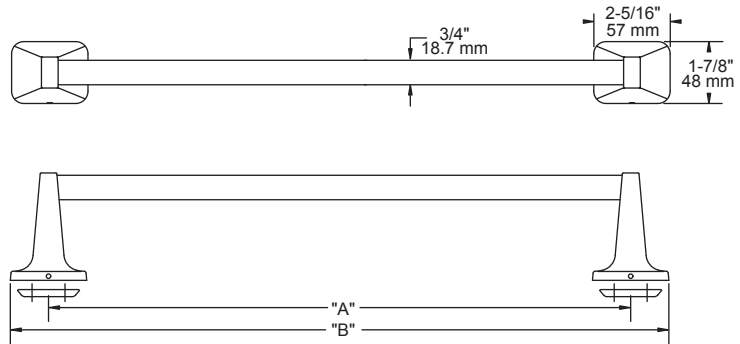
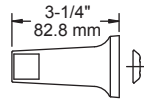
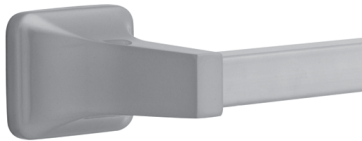


# TECHNICAL DATA

*Futura*<sup>®</sup>

18 in., 24 in. & 30 in. TOWEL BAR



**MATERIALS:**

Posts - Zinc Die Cast  
18", 24" & 30" Bars - Aluminum Tubing  
Wall Plates - Steel, Nickel Plated

**INSTALLATION:**

Mount wall plate bracket(s) per installation instructions with supplied fasteners. Slip product over wall plate(s) and tighten set screws until secure.

**OPTIONAL FASTENER INFORMATION:**

Wood blocking is preferable behind all wall surfaces. If wood blocking is not available, the following fasteners are suggested: Tile/Masonry - Plastic or Lead Anchors, Plaster/Drywall - Toggle Bolts.

**SPECIFICATION:**

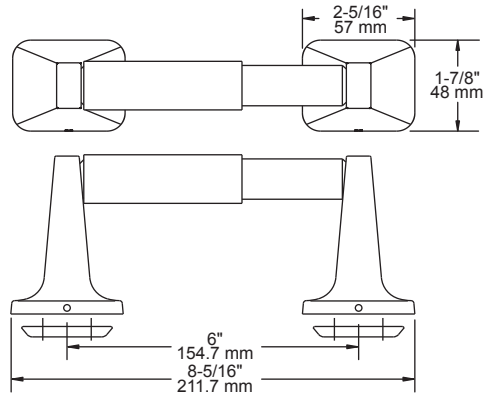
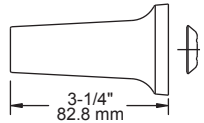
Surface mounted towel bar shall be model \_\_\_\_\_  
(fill in model number) by Liberty Hardware Manufacturing Corporation.

LENGTH	18" (457 mm)	24" (610 mm)	30" (762 mm)
DIM "A"	17-5/8" (448 mm)	23-5/8" (600 mm)	29-5/8" (752 mm)
DIM "B"	19-15/16" (506 mm)	25-15/16" (659 mm)	31-15/16" (811 mm)

# TECHNICAL DATA

*Futura*<sup>®</sup>

## TOILET PAPER HOLDER



**MATERIALS:** Posts - Zinc Die Cast  
Roller - Plated Plastic  
Wall Plates - Steel, Nickel Plated

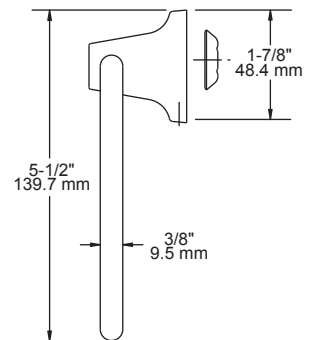
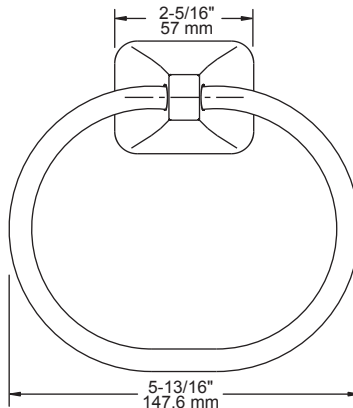
**INSTALLATION:** Mount wall plate bracket(s) per installation instructions with supplied fasteners. Slip product over wall plate(s) and tighten set screws until secure.

**OPTIONAL FASTENER INFORMATION:**  
Wood blocking is preferable behind all wall surfaces. If wood blocking is not available, the following fasteners are suggested: Tile/Masonry - Plastic or Lead Anchors, Plaster/Drywall - Toggle Bolts

**SPECIFICATION:** Surface mounted toilet paper holder shall be model \_\_\_\_\_  
(fill in model number) by Liberty Hardware Manufacturing Corporation.

*Futura*<sup>®</sup>

## TOWEL RING



**MATERIALS:** Post - Zinc Die Cast  
Ring - Aluminum Tubing  
Wall Plate - Steel, Nickel Plated

**INSTALLATION:** Mount wall plate bracket(s) per installation instructions with supplied fasteners. Slip product over wall plate(s) and tighten set screws until secure.

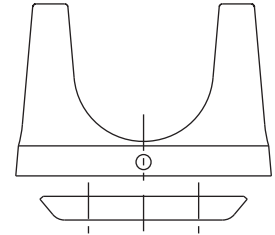
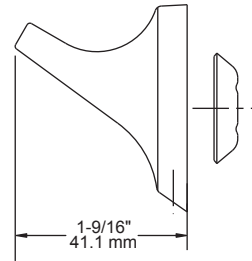
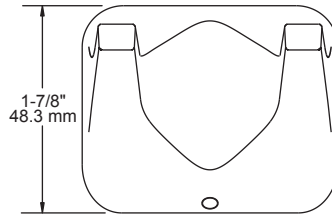
**OPTIONAL FASTENER INFORMATION:**  
Wood blocking is preferable behind all wall surfaces. If wood blocking is not available, the following fasteners are suggested: Tile/Masonry - Plastic or Lead Anchors, Plaster/Drywall - Toggle Bolts

**SPECIFICATION:** Surface mounted towel ring shall be model \_\_\_\_\_  
(fill in model number) by Liberty Hardware Manufacturing Corporation.

# TECHNICAL DATA

*Futura*<sup>®</sup>

DOUBLE ROBE HOOK



**MATERIALS:** Post - Zinc Die Cast  
Wall Plate - Steel, Nickel Plated

**INSTALLATION:** Mount wall plate bracket(s) per installation instructions with supplied fasteners. Slip product over wall plate(s) and tighten set screws until secure.

**OPTIONAL FASTENER INFORMATION:**

Wood blocking is preferable behind all wall surfaces. If wood blocking is not available, the following fasteners are suggested: Tile/Masonry - Plastic or Lead Anchors, Plaster/Drywall - Toggle Bolts

**SPECIFICATION:** Surface mounted double robe hook shall be model \_\_\_\_\_  
(fill in model number) by Liberty Hardware Manufacturing Corporation.