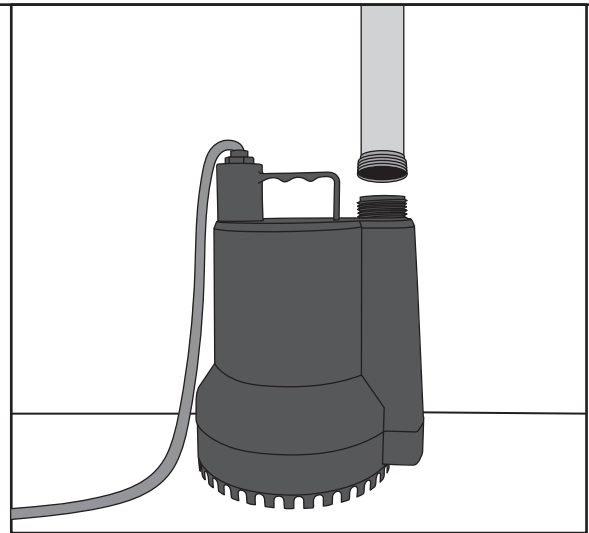




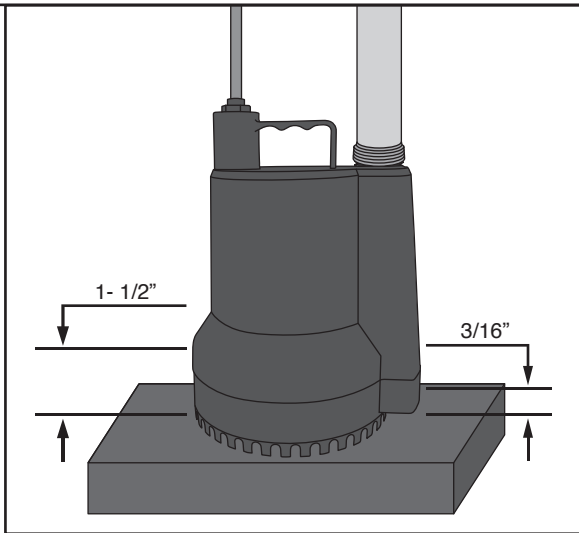
Submersible Utility Pump

Quick Reference Guide

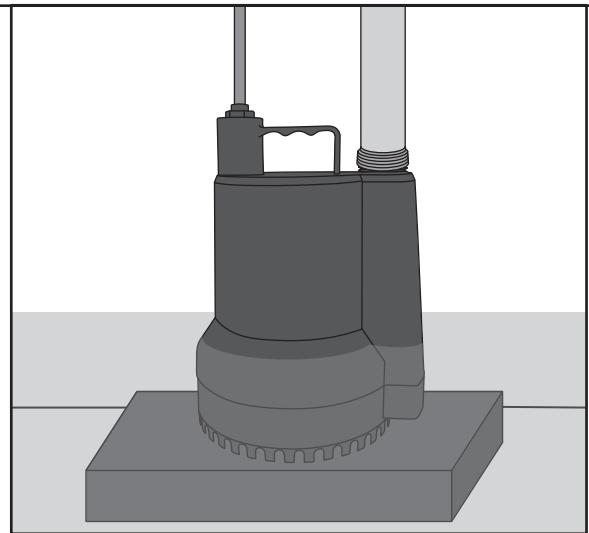
See instruction manual for
complete instructional details.



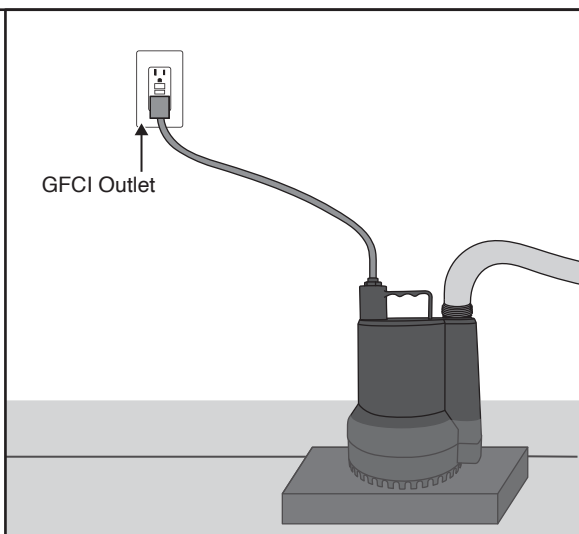
1. Attach 1" garden hose to the discharge of the pump. If a smaller 3/4" hose is preferred, attach the threaded adapter to the pump discharge before attaching the hose.



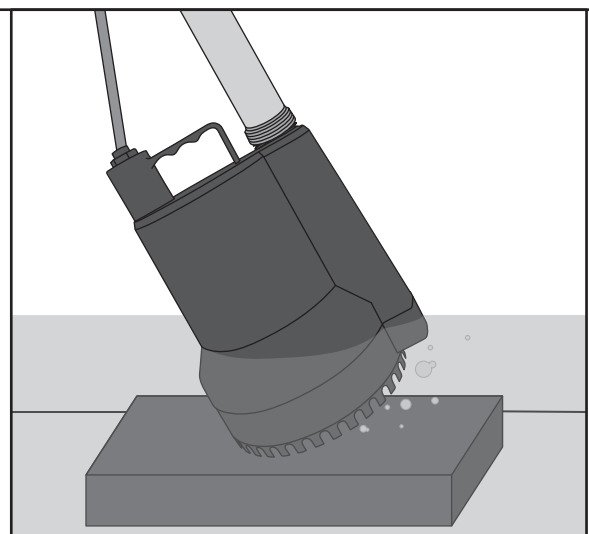
2. Install the pump on a firm, level base. Avoid pumping mud, rock, or other debris.



3. The pump will need a minimum of 1-1/2" of water to prime. Once primed, the pump can remove water down to 3/16"



4. Plug the pump in to a 115V GFCI Power Outlet



5. To avoid airlock, pump must be sufficiently submerged before pumping. If the pump is not pumping, tilt the pump to release the air bubbles from the bottom, then return to the vertical position. Unplug the pump from its power source when finished pumping, do not let the pump run dry.