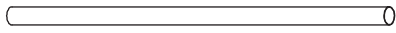
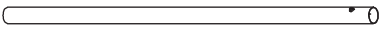


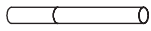
# 6021-10150 Extendable Garment Rack ©2018 Whitmor, Inc.



**A 1 ea**  
Chrome horizontal hanging tube



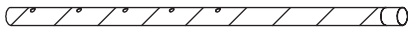
**B 2 ea**  
Chrome vertical tube  
(this part is packed inside part (E))



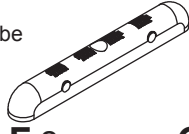
**C 2 ea**  
Chrome extension tube



**D 2 ea**  
Black horizontal base tube



**E 2 ea**  
Black vertical tube



**F 2 ea**  
Base



**G 2 ea**  
Wheel with lock



**H 2 ea**  
Wheel



**I 2 ea**  
Collar



**J 2 ea**  
End connector



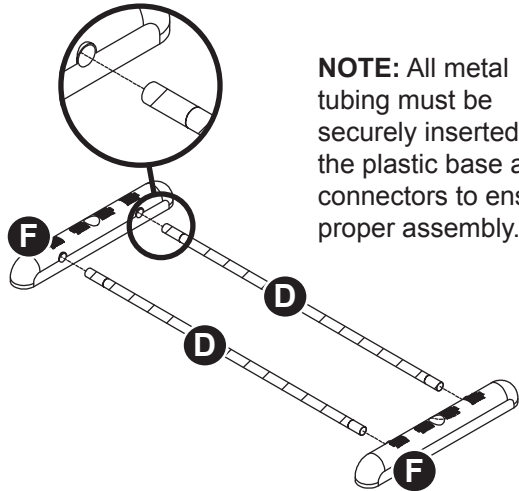
**K 2 ea**  
Extension tube plug

**Assembly Time:**  
Less than 15 minutes.

This product's intended use is for hanging garments.

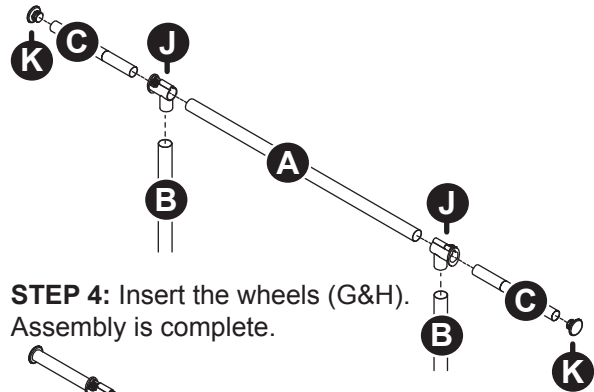
**Tools Needed:** No tools required.

**STEP 1:** Insert two black horizontal base tubes (D) into two bases (F).

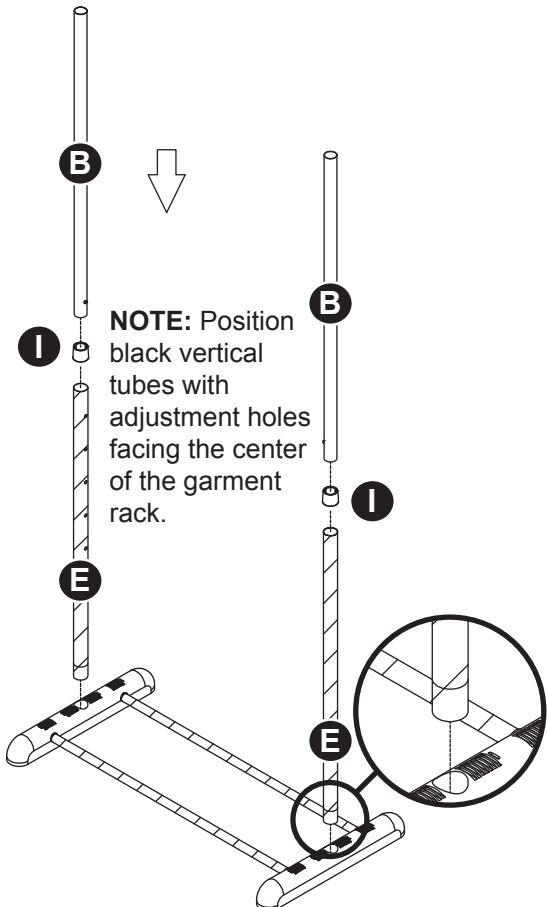


**NOTE:** All metal tubing must be securely inserted into the plastic base and connectors to ensure proper assembly.

**STEP 3:** Insert an end connector (J) on each end of the chrome horizontal hanging tube (A). Insert an extension plug (K) into each chrome extension tube (C) and insert into the end connector (J). Push this assembly onto the chrome vertical tubes (B).

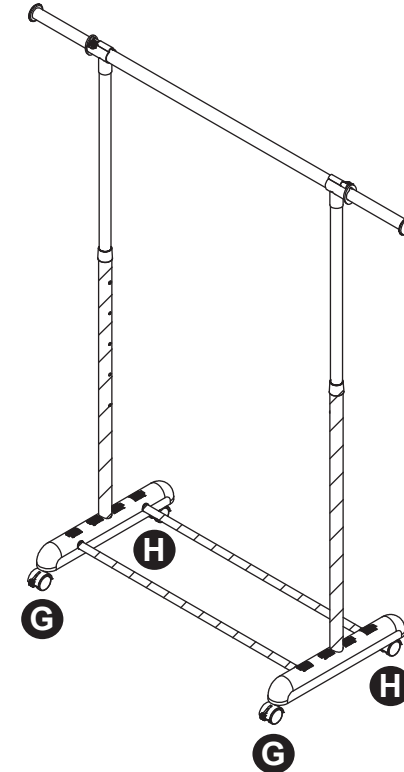


**STEP 2:** Insert a black vertical tube (E) into each base (F). Install a collar (I) onto the end of each black vertical tube (E). Insert a chrome vertical tube (B) into each black vertical tube (E) and adjust equally to the desired height.



**NOTE:** Position black vertical tubes with adjustment holes facing the center of the garment rack.

**STEP 4:** Insert the wheels (G&H). Assembly is complete.



**Part Reference**

Part	Reference
A	F10179
B	F10180
C	F10181
D	F10182
E	F10183
F	F10184
G	F10185
H	F10186
I	F10187
J	F10188
K	F10189



8680 Swinnea Road • Suite 103 • Southaven, MS • 38671

**NEED HELP?** For help with assembly, or if you are missing a part, please call Whitmor's Consumer Care Team, 1-888-944-8667 between 8 a.m. and 4:30 p.m. (Central Standard Time) Monday through Friday. Or email: [help@whitmor.com](mailto:help@whitmor.com). Visit us online at [www.whitmor.com](http://www.whitmor.com)