

# INSTALLATION INSTRUCTIONS



## OVATION 60 in SHOWER DOOR MODEL: AM00560.400 SERIES

Thank you for selecting American Standard – the benchmark of fine quality for over 100 years. To ensure this product is installed properly, please read these instructions carefully before you begin. (Certain installations may require professional help.) Also be sure your installation conforms to local codes.

### GENERAL INFORMATION

Please inspect the product immediately upon receipt for transit damage, missing packs/parts or manufacturing fault. Damage reported later cannot be accepted. Please handle the product with care avoiding knocks and shocks loading to all sides and edges of the glass.

**NOTE: TEMPERED GLASS CANNOT BE DRILLED, CUT OR MODIFIED.**

### READ THE INSTRUCTIONS CAREFULLY

Familiarize yourself with all the parts as shown in the assembly drawing. The assembly drawing will also provide a helpful reference when relating the location of the various parts and how they are mounted.

Special care should be taken when drilling walls to avoid hidden pipes or electrical cables.

**Note:** This product is heavy and may require two people to install.

### AFTER-CARE INSTRUCTIONS

After use, your shower should be cleaned with soap and water. This is particularly important in hard water districts where insoluble lime salts may be deposited and allowed to build up. Cleaners of a gritty or abrasive nature should not be used. Care should be taken to avoid contact with strong chemicals such as organic solvents and strippers.

Glass cleaners can be used but with caution, if in doubt contact the manufacturer of the cleaner in question.

Please keep these instructions for aftercare and customer service details.

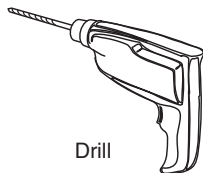
**For problems please contact American Standard. Do not return to store.**

S  
A  
V  
E  
  
F  
O  
R  
  
F  
U  
T  
U  
R  
E  
  
U  
S  
E

### REQUIRED TOOLS AND MATERIALS



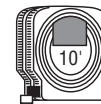
Caulking Gun & Caulking



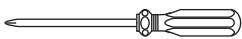
Drill



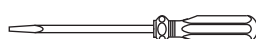
1/4" & 1/8" Drill Bits  
#2 Square Drive Bit



Tape Measure



Phillips Screwdriver



Regular Screwdriver



Hammer



Pencil



Level

## BOX CONTENTS

1x Top Horizontal Rail  
1x Bottom Horizontal Rail  
1x Lube



1x Installation Instructions



2x Handle Sets



2x Bottom Guides  
1x Center Guide  
1x Center Guide Spacer  
2x Screw Cover Caps  
2x Screws M4x10



4x Profile Covers



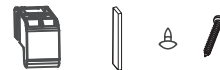
6x Wall Plugs  
12x Screws M4x35  
6x Screw Cover Caps



6x Screws M4x10  
1x Screws M4x12  
6x Screw Cover Caps



1x Glass Bracket  
1x Glass Bracket Cover  
1x Screw M4x16  
1x Grey Cap



2x Wall Posts



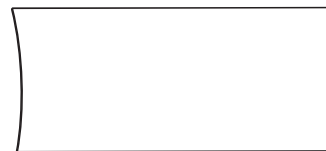
2x Door Posts



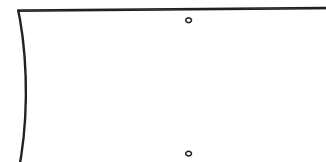
2x Top Rollers



1x Fixed Glass Door Panel

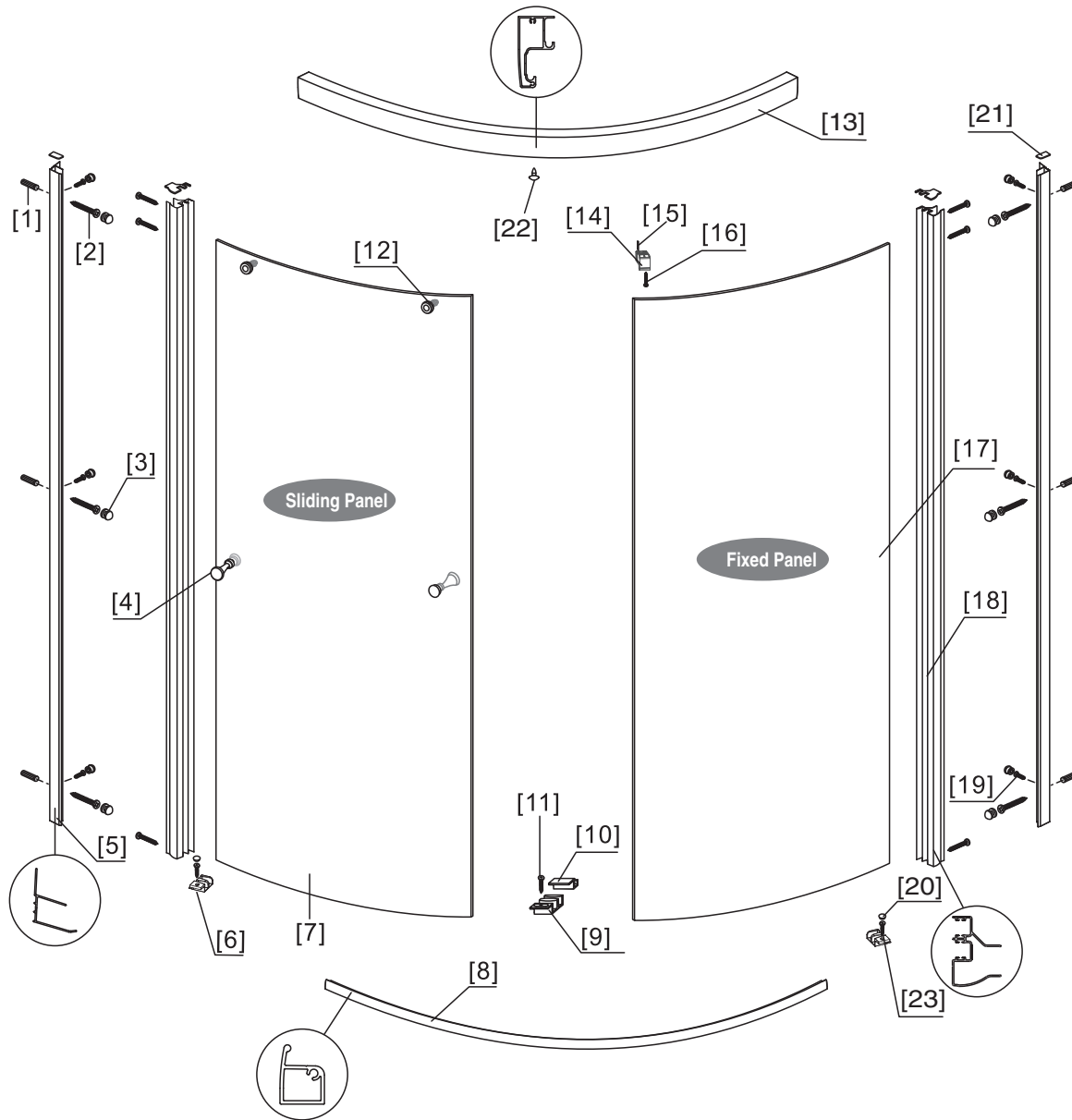


1x Sliding Glass Door Panel  
2 x Top Rollers



## ASSEMBLY DRAWING

Illustrated with Sliding Glass Panel on left and Fixed Glass Panel on right.  
Glass Panels may be reversed.



- [1] 6x Wall Plugs
- [2] 12x Screws M4x35
- [3] 12x Screw Cover Caps
- [4] 2x Handle Sets
- [5] 2x Wall Posts
- [6] 2x Bottom Guides
- [7] 1x Sliding Glass Door Panel
- [8] 1x Bottom Horizontal Rail
- [9] 1x Center Guide
- [10] 1x Center Guide Spacer
- [11] 1x Screw M4x12
- [12] 2x Top Rollers

- [13] 1x Top Horizontal Rail
- [14] 1x Glass Bracket
- [15] 1x Glass Bracket Cover
- [16] 1x Screw M4x16
- [17] 1x Fixed Glass Panel
- [18] 2x Door Posts
- [19] 6x Screws M4x10
- [20] 2x Screw Cover Caps
- [21] 4x Profile Covers
- [22] 1x Gray Cover Cap
- [23] 2x Screws M4x10

## INSTALLATION NOTES:

This unit is best installed by two people.

Cover drain with tape prior to installation to prevent the loss of small parts.

Unpack your unit carefully and inspect for freight damage. Lay out and identify all parts using instruction sheet as a reference. Before discarding the carton check to see that no small hardware parts have fallen to the bottom of the box. If any parts are damaged or missing refer to the description noted in the instructions when inquiring about replacements.

Handle the glass panels carefully and protect the edges. Although tempered glass is very resistant to breakage the glass can still break if unequal pressure is applied during installation and the sharp corners of the panel can damage tile and flooring surface.

Be sure to wear safety glasses whenever drilling or cutting. When drilling holes in ceramic tile or marble use a center punch and hammer to carefully break the glazed surface. This will prevent skidding when drilling.

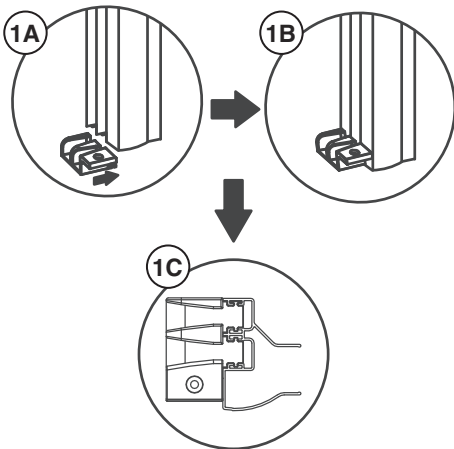
**NOTE: TEMPERED GLASS CANNOT BE DRILLED, CUT OR MODIFIED.**

## 1 ASSEMBLE FRAME

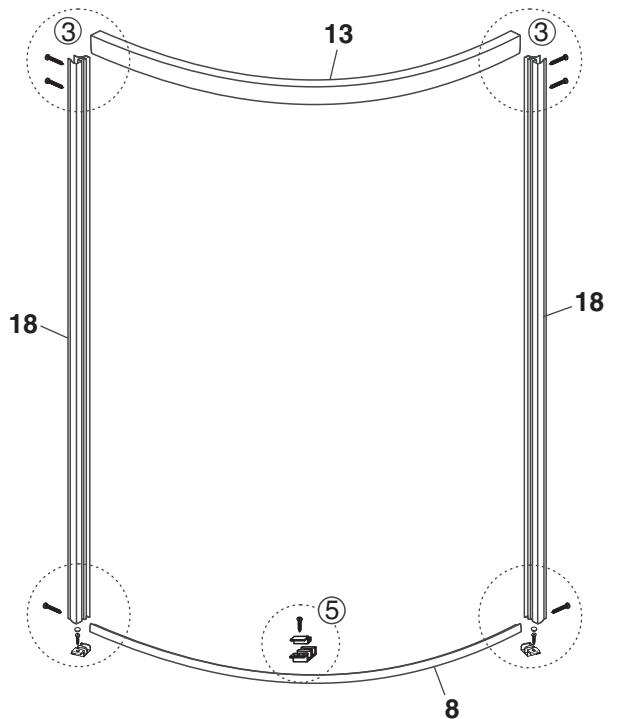
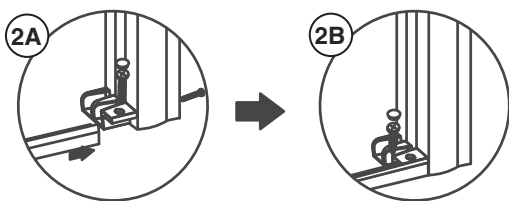
**1A - 1C** Slide Bottom Guide (6) onto the bottom of the Door Posts (18) as shown.

**2A - 2B** Attach Bottom Horizontal Rail (8) to the Door Post with M4x35 Screws (2). Secure Bottom Guide to Bottom Horizontal Rail with M4x10 Screws (19). Insert Screw Cover Cap (20).

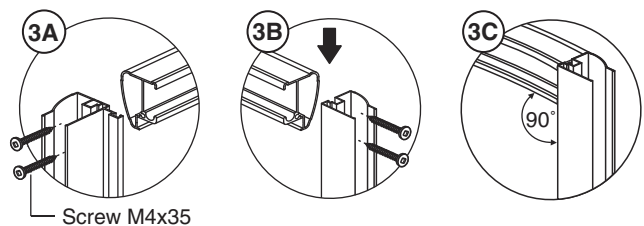
**3A - 3C** Slide Top Horizontal Rail (13) onto Door Posts and screw together. (Refer to Assembly Drawing)



VIEW FROM TOP



VIEW FROM INSIDE



# 1 ASSEMBLE FRAME (CONTINUED)

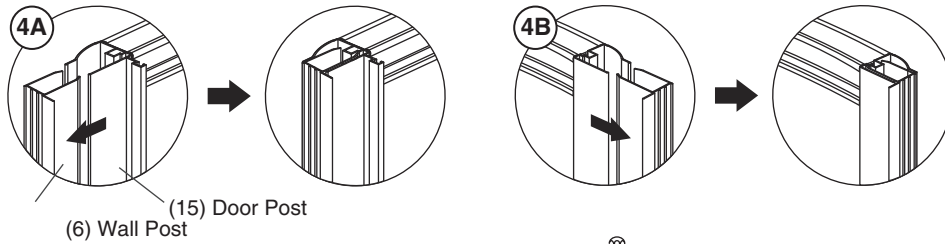
**4A - 4B** Slide Wall Posts (5) on each end. The Wall Posts fit inside Door Posts of the frame.

**5A - 5B** Attach Center Guide (9) to Bottom Horizontal Rail using screw as shown in 5A.

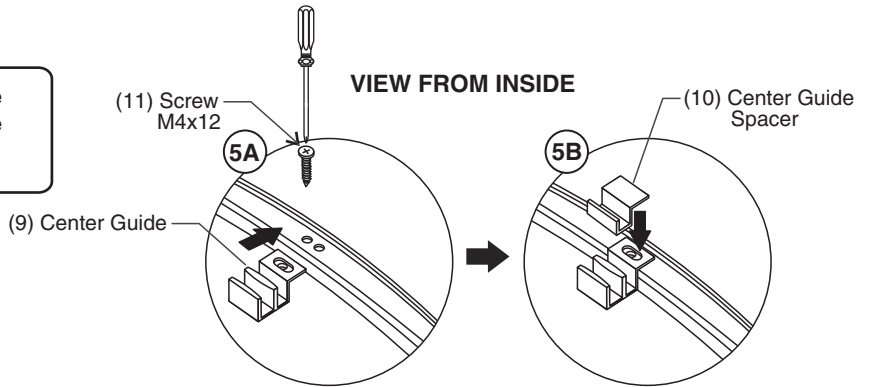
Use the hole closest to side that will have Fixed Glass Panel (17).

Fill the remaining hole with silicone sealant. Insert Center Guide Spacer (10) as shown in 5B.

VIEW FROM INSIDE



The Center Guide should be fixed on the hole which is closest to the fixed panel, the unused hole should be filled with silicone.



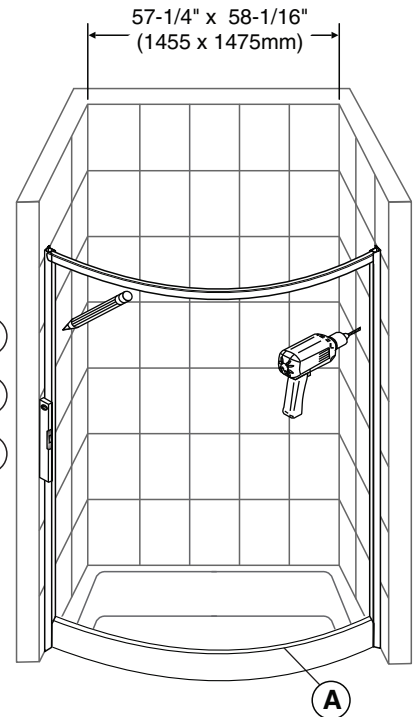
# 2 FITTING FRAME ASSEMBLY INTO OPENING

## 2 PEOPLE REQUIRED

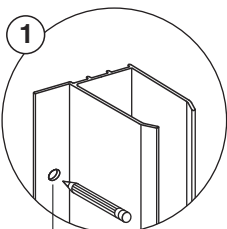
Place completed frame onto the shower edge located at the edge **(A)** of the flat surface of the deck. Push wall posts against wall and position the posts with a level and mark the mounting holes on the wall. Remove the frame.

Use the anchors if NOT securing to studs.

Remove frame and proceed to STEP 3.

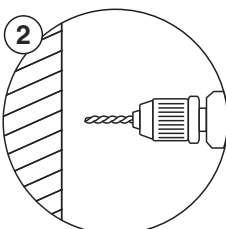


### ANCHOR INSTALL



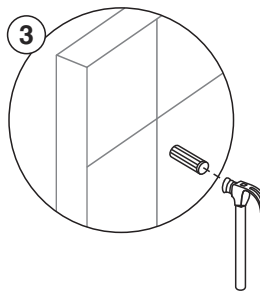
Mark holes  
DO NOT install screws

### DRILL FOR ANCHOR IF NEEDED



Use 1/4" drill bit  
for anchor holes

### INSTALL ANCHOR IF NEEDED



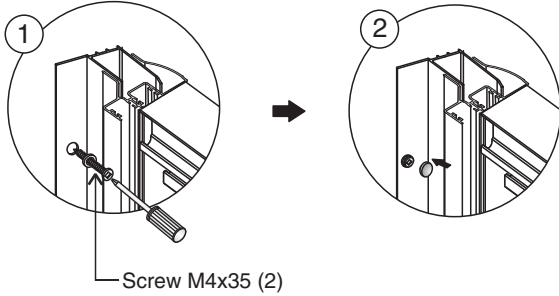
# 3

## INSTALLING FRAME

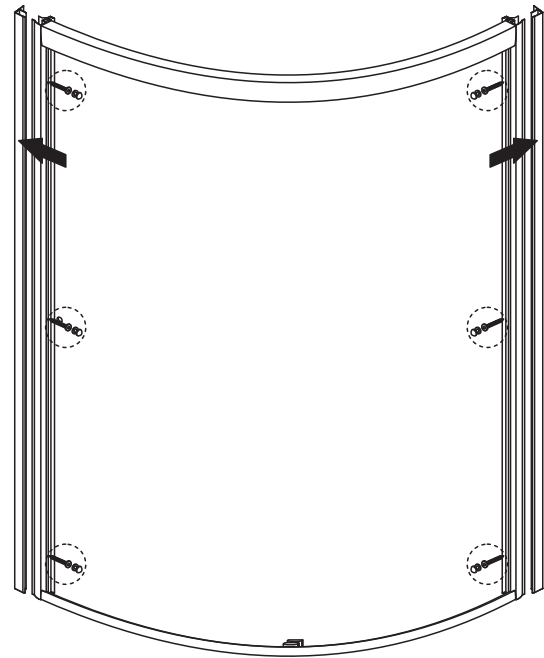
### 2 PEOPLE REQUIRED

1. Secure assembly to wall using previously drilled holes.
2. Install Screw Cover Caps.

#### VIEW FROM INSIDE



**NOTE:** If Wall Posts are provided with four (4) attachment holes, kits will include the additional hardware.



# 4

## FIXING ASSEMBLY TO WALL POSTS

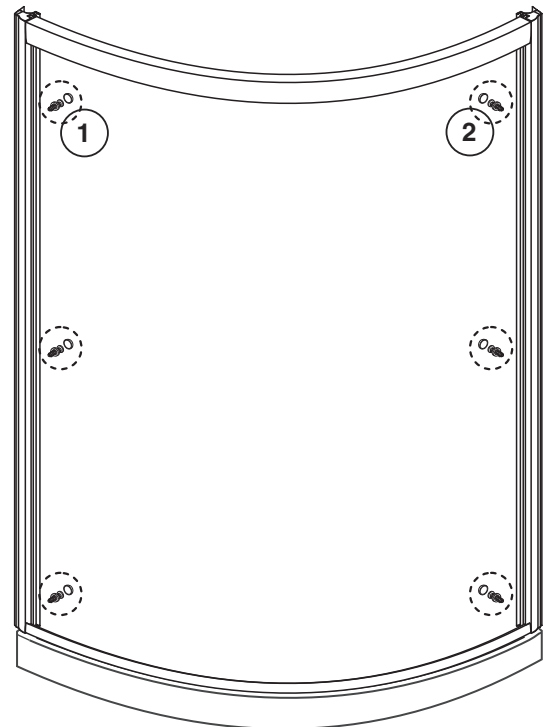
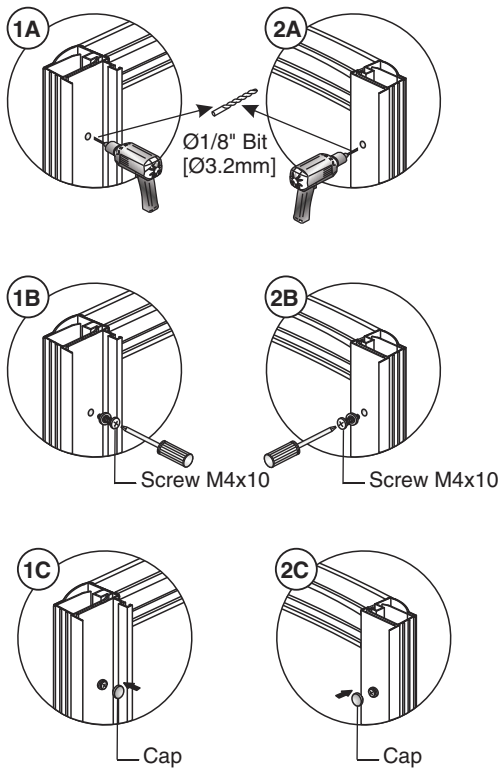
Ensure Door Assembly is centered in opening. Push down to top of shower base before anchoring screws to Wall Posts.

**1A & 2A** Drill Pilot Holes

**1B & 2B** Secure door posts to wall posts with screws

**1C & 2C** Snap Cap in place

#### VIEW FROM INSIDE



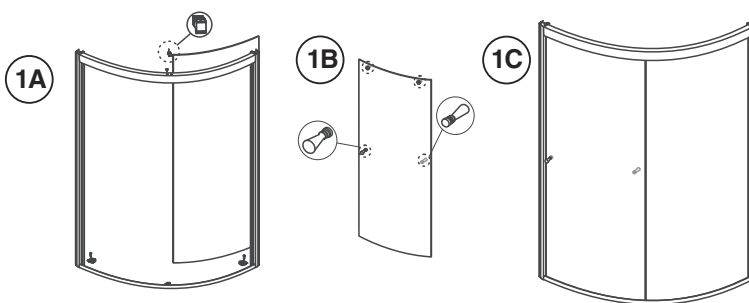
## 5 LOCATING SLIDING GLASS DOOR PANEL

The Sliding Glass Door Panel (7) may be placed on either the left-hand side or right-hand side of the assembled frame.

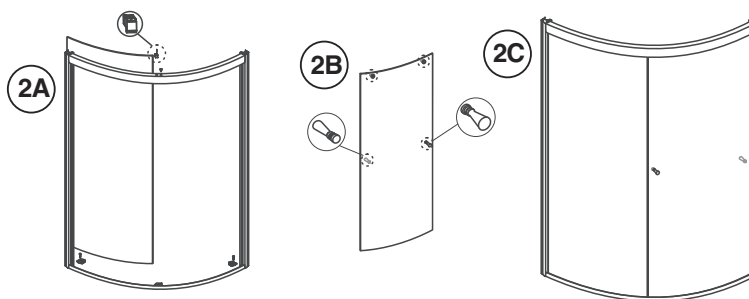
**It is recommended that the Sliding Glass Door Panel is installed on the same side of the shower enclosure as the shower head. This will allow the water temperature to be adjusted prior to entering the shower enclosure.**

The following instructions (1A-1C), illustrate the installation of the Sliding Glass Door Panel on the left side of the shower enclosure. If desired, you may install the Sliding Glass Door Panel on the right side of the shower enclosure (2A).

Please ensure that the attachment hardware & the Handle Sets (4) are in the correct locations (2B-2C).



SLIDING GLASS PANEL INSTALLED ON LEFT



SLIDING GLASS PANEL INSTALLED ON RIGHT

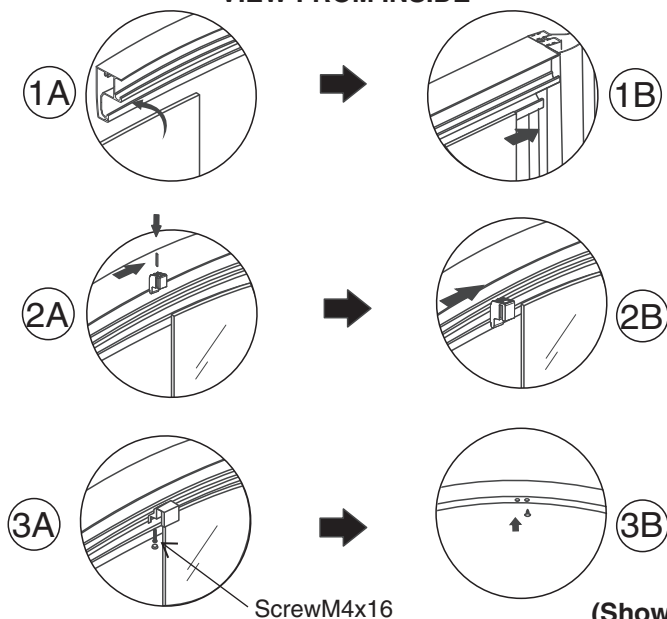
## 6 INSTALLING FIXED GLASS PANEL

**1A-1B** Place bottom of Fixed Glass Panel (17) into Center Guide (9) and slide into Bottom Guide until it is seated in the Door Post (18).

**2A-2B** Insert Glass Bracket Cover (15) into the Glass Bracket (14). Slide Glass Bracket so that it is aligned with the hole closest to the end of the Fixed Glass Panel.

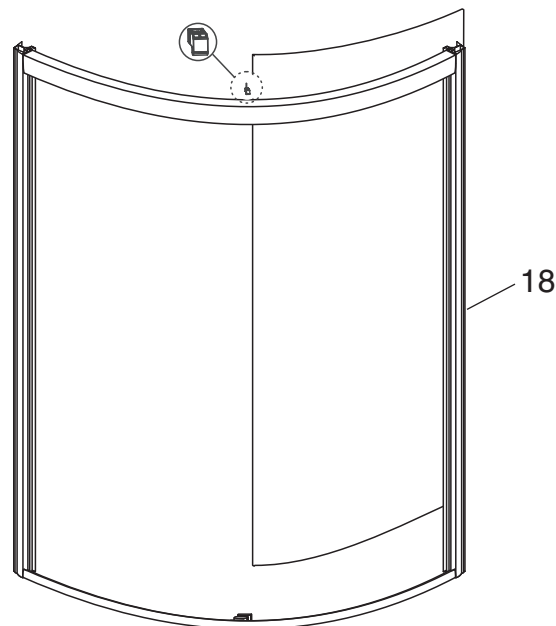
**3A-3B** Secure Glass Bracket to the Horizontal Rail with M4x16 Screw (16). Insert Gray Cover Cap (22) into the unused hole on the Top Horizontal Rail.

### VIEW FROM INSIDE



Screw M4x16

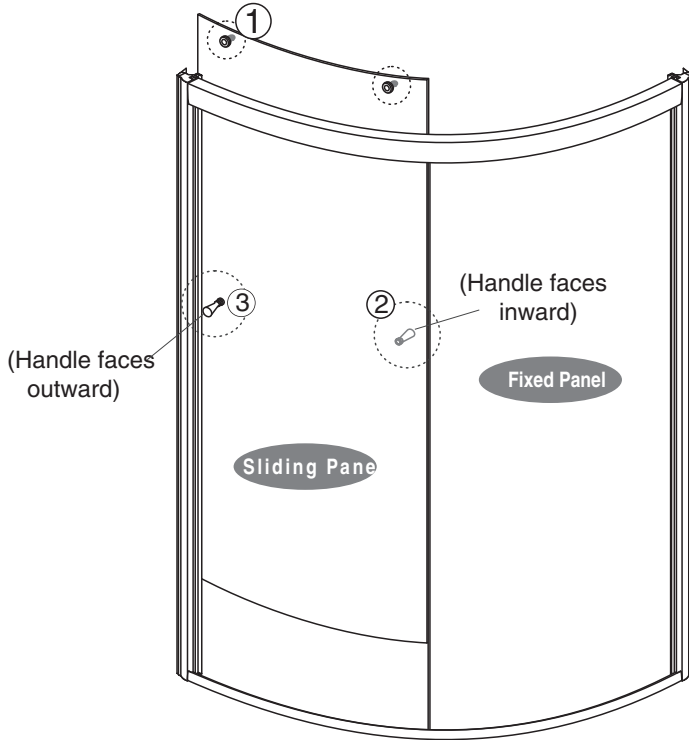
(Shown from Underside of Bottom Rail)



# 7

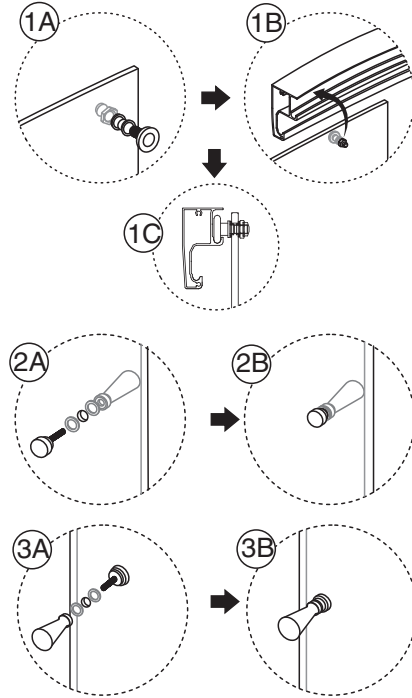
## INSTALLING SLIDING GLASS DOOR PANEL & HANDLE SET

- 1A-1C** Install Top Rollers (12) facing outward, on the Sliding Glass Door Panel (7). With the Top Rollers installed, place bottom of Sliding Glass Door Panel in the Center Guide (9) and insert the Top Rollers into the Top Horizontal Rail (13). Add lubricant to Top Rollers.
- 2A-2B** Install the inner facing Handle (4) on the Sliding Glass Door Panel ensuring the long portion of the Handle faces inward. This Handle **must** be on the side **closest** to the Fixed Glass Panel (17).
- 3A-3B** Install the outward facing Handle on the Sliding Glass Door Panel ensuring the long portion of the Handle faces outward. This Handle **must** be on the side **furthest** from the Fixed Glass Panel.



Illustrated with Sliding Glass Panel on left

### VIEW FROM INSIDE



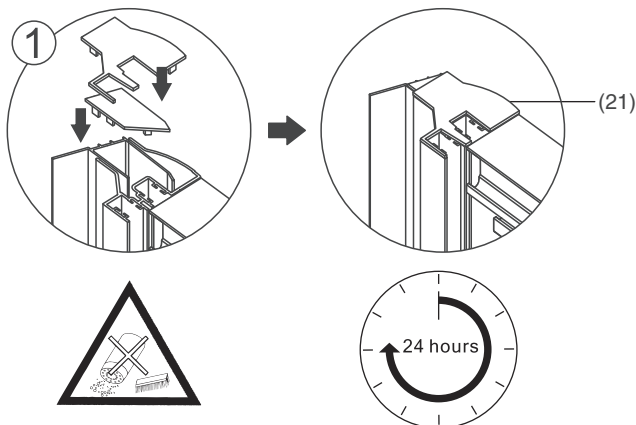
# 8

## APPLY SILICONE CAULKING & PROFILE COVERS

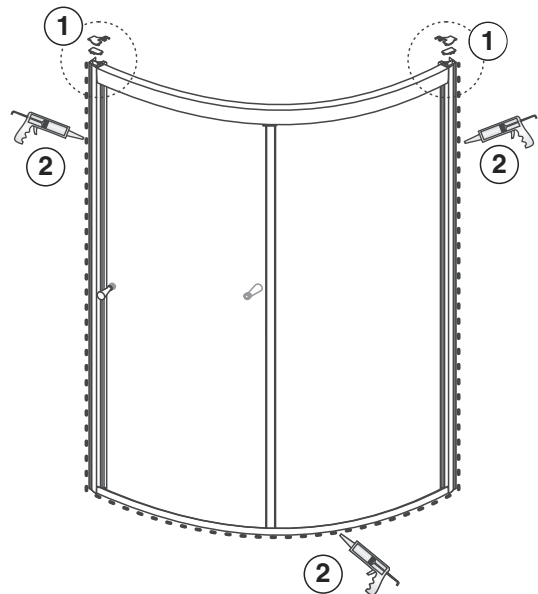
Snap Profile Covers (21) in place ①

Apply silicone ②

### VIEW FROM INSIDE



Allow 24 hours for silicone to dry before use.





## MAINTENANCE:

Two primary materials are used to manufacture your new American Standard shower enclosure: tempered glass and anodized aluminum. To assure a long lasting finish on the enclosure, wipe it down with a towel after each use.

For occasional, more concentrated cleaning efforts **Lysol Non-Abrasive Bathroom Cleaner** works extremely well. Be sure that any over spray falling on the aluminum frame is rinsed thoroughly and dried. Many over-the-counter cleaners, if applied to the aluminum and left on, will harm the metal finish and cause permanent damage even though their directions indicate safe use on shower doors. Never use a scouring agent to clean the aluminum.

### AS AMERICA, INC. LIMITED LIFETIME WARRANTY FOR SHOWER DOORS

AS America, Inc. ("American Standard") warrants to the original consumer purchaser that it will, at its sole option, repair or replace this product or any part of this product, if it confirms that the product is defective in materials or workmanship under normal use and maintenance for the lifetime of this product.

This warranty does not apply to commercial installations. Commercial installations shall have a limited warranty of 3 year(s).

This limited warranty DOES NOT COVER the following:

1. Defects or damage arising from shipping, installation, alterations, accidents, abuse, misuse, lack of proper maintenance and use of other than genuine American Standard replacement parts, in all cases whether caused by a plumbing contractor, service company, the owner or any other person.
2. Deterioration through normal wear and tear.
3. HARD WATER DAMAGE, OR DAMAGES RESULTING FROM ABUSE OR MISUSE OR FROM FAILURE TO INSTALL OR MAINTAIN THIS PLUMBING PRODUCT IN ACCORDANCE WITH THE WRITTEN INSTRUCTIONS FURNISHED BY AS AMERICA, INC.
4. USE OF CLEANING PRODUCTS CONTAINING CALCIUM HYPO CHLORITE (CHLORINE), SCOURING POWDERS OR PADS SHALL NOT BE COVERED.
5. THE USE OF SCENTED CANDLES IN CLOSE PROXIMITY WITH THIS PRODUCT CAN RESULT IN PERMANENT STAINING OF THE FINISH.
6. Expense of normal maintenance.
7. All costs of removal, transportation, labor, reinstallation or other costs including postage and/or shipping costs to obtain warranty service shall be paid by the consumer.
8. ANY LIABILITY FOR CONSEQUENTIAL OR INCIDENTAL DAMAGES, ALL OF WHICH ARE HEREBY EXPRESSLY DISCLAIMED. ANY IMPLIED WARRANTIES, INCLUDING THOSE OF MERCHANTABILITY OR FITNESS FOR PURPOSE INTENDED ARE SPECIFICALLY EXCLUDED. (Some jurisdictions do not allow limitations on how long an implied warranty lasts, or the exclusion or limitation of incidental or consequential damages, so these limitations and exclusions may not apply to you.)
9. Responsibility for compliance with local code requirements ARE EXCLUDED FROM THIS WARRANTY. (Since local code requirements vary greatly distributors, dealers, installation contractors and users of plumbing products should determine whether there are any code restrictions on the installation or use of a specific product.)

This limited warranty gives you specific legal rights. You may have other statutory rights that vary from state to state or from province to province, in which case this limited warranty does not affect such statutory rights.

For service under this warranty, it is suggested that a claim be made through the contractor or dealer from or through whom the product was purchased, or that a service request (including a description of the product model and of the defect) be sent to the following with proof of purchase or original receipt:

#### **In the United States:**

American Standard Brands  
1 Centennial Ave.  
Piscataway, New Jersey 08854  
Attention: Director of Consumer Affairs

For residents of the United States, warranty information may also be obtained by calling the following toll free number: (800) 442-1902  
[www.americanstandard.com](http://www.americanstandard.com)

#### **In Canada:**

AS Canada ULC  
5900 Avebury Rd.  
Mississauga, Ontario  
Canada L5R 3M3

Toll Free: (800) 387-0369  
[www.americanstandard.ca](http://www.americanstandard.ca)

#### **In Mexico:**

American Standard B&K Mexico  
S. de R.L. de C.V.  
Via Morelos #330  
Col. Santa Clara

Ecatepec 55540 Edo. Mexico  
Toll Free: 01-800-839-1200  
[www.americanstandard.com.mx](http://www.americanstandard.com.mx)