

LED UNDERCABINET PUCK

3580LED-PL1WHT
3580LED-PL1NKL
3580LED-PL1BLK



INSTRUCTIONS PERTAINING TO RISK OF FIRE OR INJURY TO PERSONS
READ ALL INSTRUCTIONS

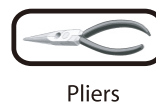
IMPORTANT SAFETY INSTRUCTIONS

SAVE THESE INSTRUCTIONS

TOOLS AND MATERIALS REQUIRED:



Wiring supplies
as required by
electrical code

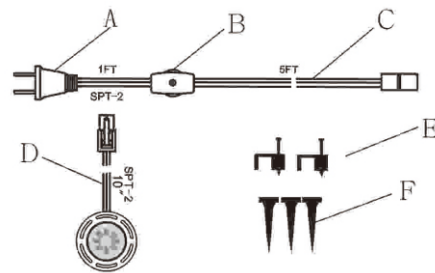


SAFETY PRECAUTIONS:

This fixture is equipped with a polarized plug (a plug having one blade wider than the other). This plug will fit in a polarized outlet only one way. This is a safety feature. If you are unable to insert the plug fully into the outlet, reverse the plug. If it still will not fit, contact a qualified electrician. Never use with an extension cord unless the plug can be fully inserted.

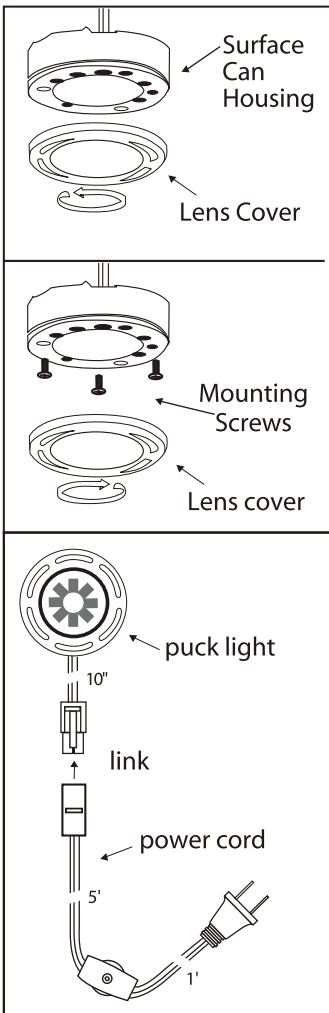
PACKAGE CONTENTS

PART	DESCRIPTION	QTY
A	plug	1
B	on/off switch	1
C	6'cord	1
D	LED puck light	1
E	wire clips	2
F	screws	3



INSTALLATION:

OPTION #1 - SURFACE MOUNT



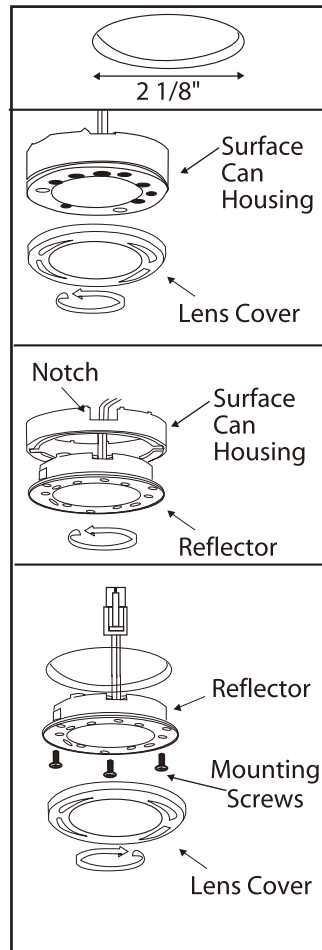
1. Remove lens cover by twisting counter-clockwise.

2. Attached puck to mounting surface with 3 mounting screws (included). Replace lens cover.

3. Link puck with power cord Secure cord to mounting surface using wire clips included.

Plug cord into power outlet.

OPTION #2 - RECESSED



1. Drill a 2 1/8 hole in the underside of the cabinet

2. Remove lens cover by twisting counter-clockwise.

3. To remove the housing cover lift cord up from notch and twist the reflector counter-clockwise.

Discard housing.

4. Feed cord through drilled hole and push puck snugly into place. Secure with 3 mounting screws (included). Replace lens cover.

5. Link puck with power cord. Plug cord into power outlet. (see step 3 in surface mount instruction)