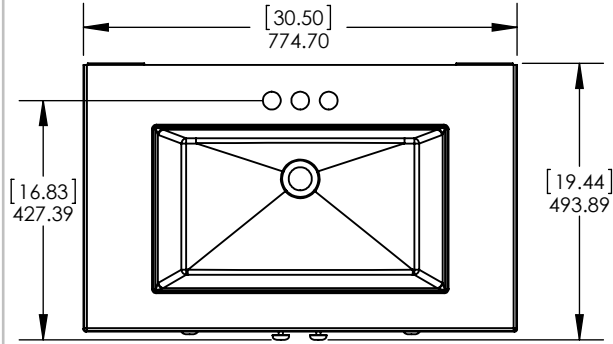
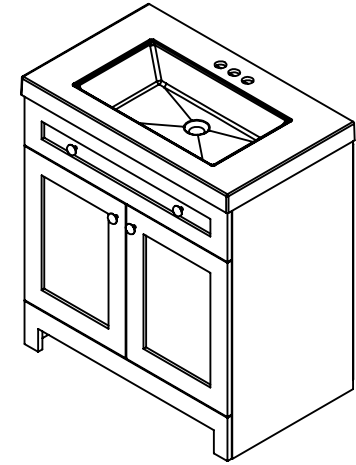


ITEM ID	DESCRIPTION
EV30P2-PG	Everdean 30.5in Vanity w/White VTop - Pearl Gray

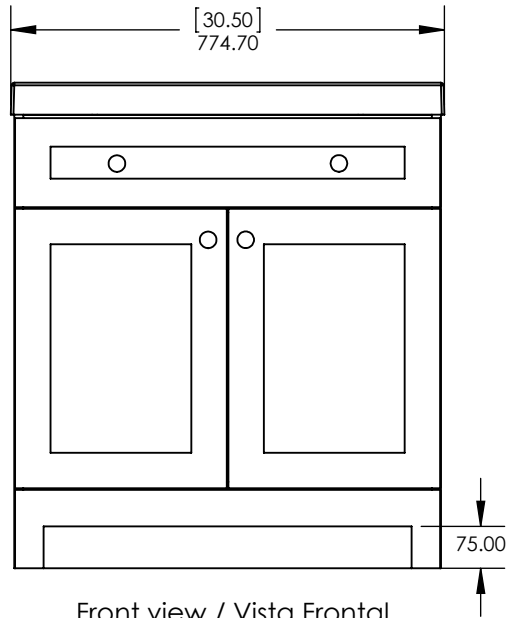
REV	ECO#	DESCRIPTION	REV'D BY DATE	CHK'D BY DATE	APRV'D BY DATE
0		RELEASE	AGS 07/09/19	KN 07/09/19	EC 07/09/19



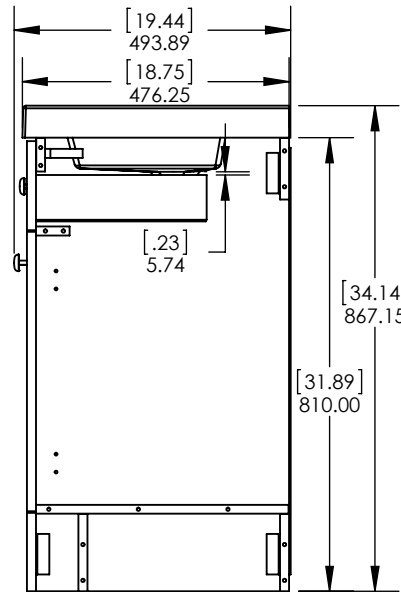
Top View / Vista Superior



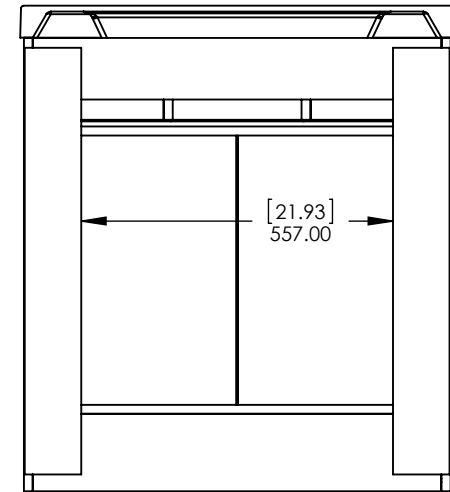
Isometric View / Vista Isometrica



Front view / Vista Frontal



Side View / Vista Lateral



Back View / Vista Trasera



PROPRIETARY AND CONFIDENTIAL
 THE INFORMATION CONTAINED IN THIS DRAWING IS THE SOLE PROPERTY OF WOODCRAFTERS HOME PRODUCTS L.L.C. ANY REPRODUCTION IN PART OR AS A WHOLE, WITHOUT THE WRITTEN PERMISSION OF WOODCRAFTERS HOME PRODUCTS L.L.C. IS PROHIBITED.

Tolerancia no especificada

Lineal
±0.5mm

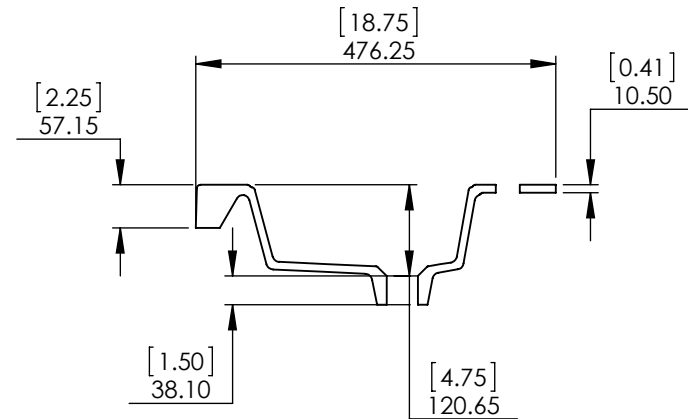
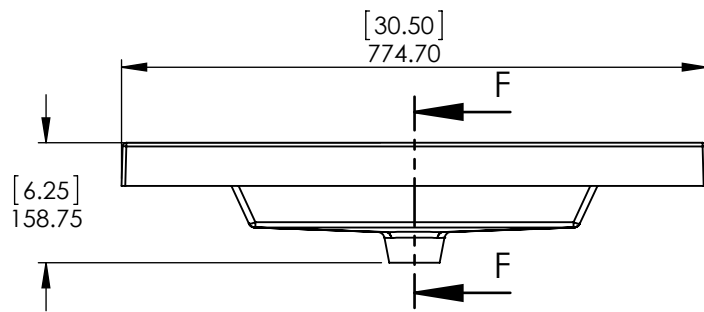
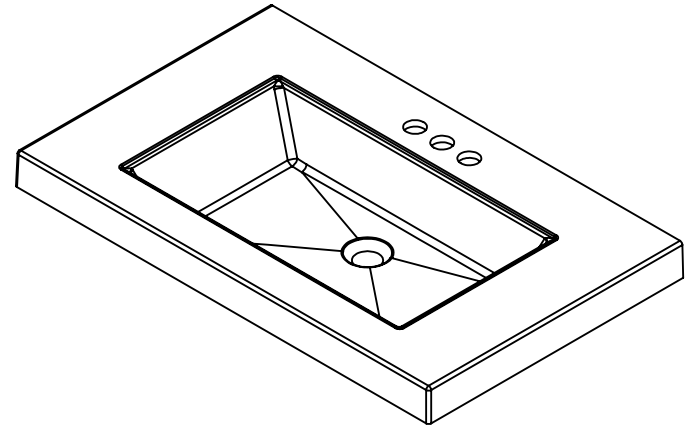
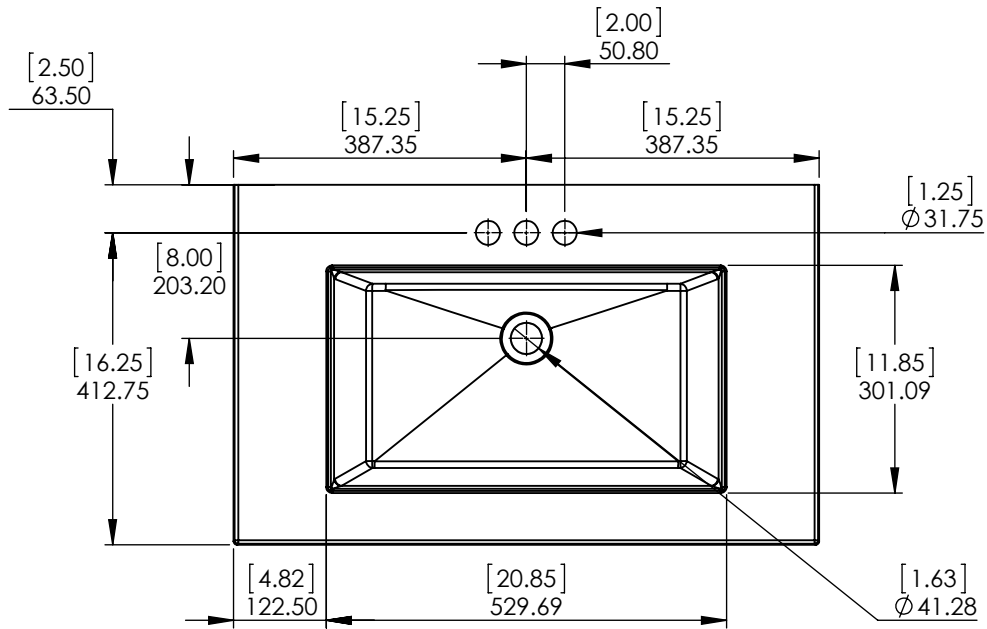
Angular
±0.5°

Drawn By / Dibujado por:	Adolfo Gallegos	07/09/19
Checked By / Revisado Por:	Karina Navarro	07/09/19
Approved By / Revisado Por:	Eduardo Cisneros	07/09/19

Cabinet Name/Nombre de Gabinete:	Everdean 30.5in Vanity w/White VTop - Pearl Gray	FG ID:	
# of Drawing/ de Dibujo:	PAGE 1 OF 1	REV:	0

ID	Description	Technology	Status
595471	Vtop Oslo 30.5x18.75 White 4in	Solid White	Approved for production

Rev #	Approved by	Change
0	R. Rubio	Released



NOTE: MAX. WARPAGE
TOLERANCE 1/8"

PROPRIETARY AND CONFIDENTIAL
THE INFORMATION CONTAINED IN THIS DRAWING IS THE SOLE PROPERTY OF WOODCRAFTERS. ANY REPRODUCTION IN PART OR AS A WHOLE WITHOUT THE WRITTEN PERMISSION OF WOODCRAFTERS IS PROHIBITED.

UNLESS OTHERWISE SPECIFIED
DIMENSIONS ARE IN MM.
AND (INCHES)
TOLERANCES ARE
+0.125 [3.175] -0.125 [-3.175]
SCALE:1:10

	NAME	DATE
DRAWN	J. Martinez	7/08/16
CHECKED	E. Sandoval	7/08/16
ENG APPR.	R. Rubio	7/08/16
MFG APPR.	C. Leal	7/08/16

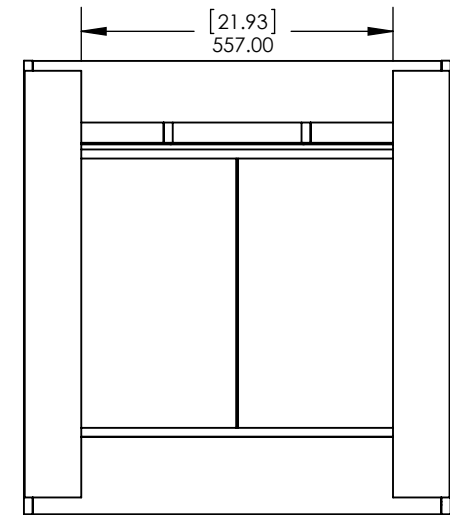
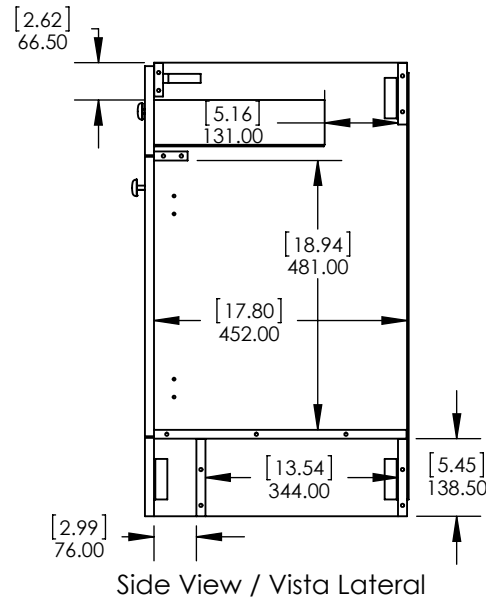
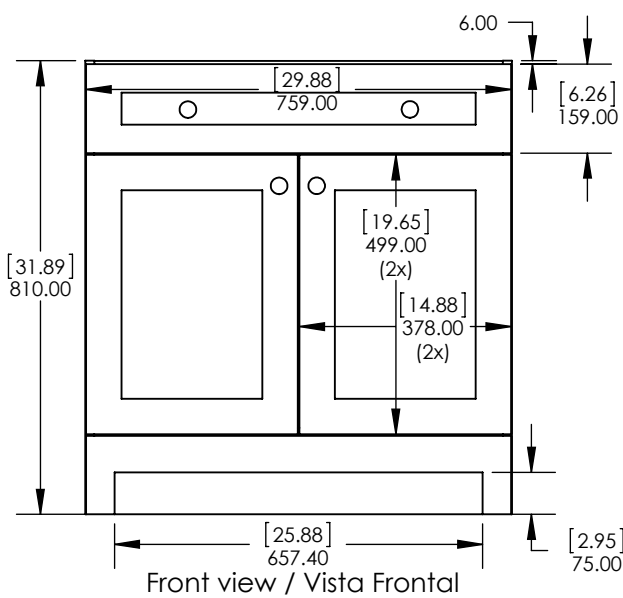
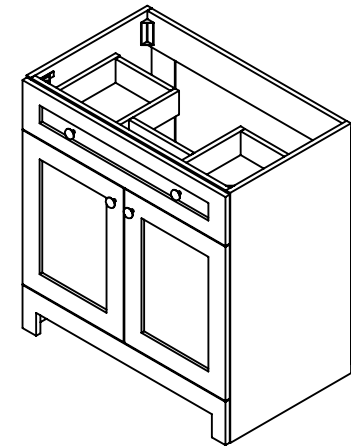
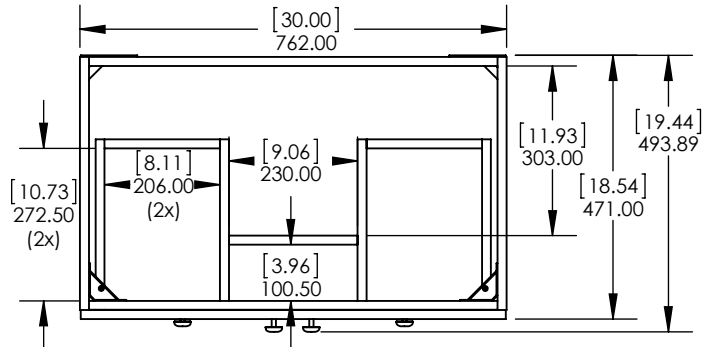
Wood Crafters

SIZE DWG. NO. **A** Vtop Oslo 30.5x18.75 4in

SHEET 1 OF 1
REV: **0**

ITEM ID	DESCRIPTION
EV30P2-PG	Everdean 30.5in Vanity w/White VTop - Pearl Gray

REV	ECO#	DESCRIPTION	REV'D BY DATE	CHK'D BY DATE	APRV'D BY DATE
0		RELEASE	AGS 07/09/19	KN 07/09/19	EC 07/09/19



PROPRIETARY AND CONFIDENTIAL THE INFORMATION CONTAINED IN THIS DRAWING IS THE SOLE PROPERTY OF WOODCRAFTERS HOME PRODUCTS L.L.C. ANY REPRODUCTION IN PART OR AS A WHOLE, WITHOUT THE WRITTEN PERMISSION OF WOODCRAFTERS HOME PRODUCTS L.L.C. IS PROHIBITED.	Tolerancia no epespecificada		Drawn By / Dibujado por:	Adolfo Gallegos	07/09/19	Cabinet Name/Nombre de Gabinete:	FG ID:
	Lineal ±0.5mm	Angular ±0.5°	Checked By / Revisado Por:	Karina Navarro	07/09/19		
		Approved By / Revisado Por:	Eduardo Cisneros	07/09/19	# of Drawing/ de Dibujo:	PAGE	REV: 0