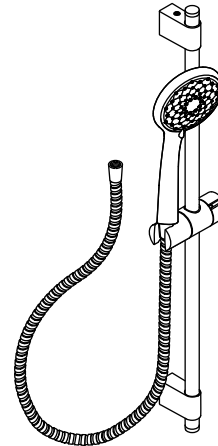


B90 SLIDEBAR KIT K-98362



Features

- Finish is engineered to resist corrosion and daily wear
- Kit includes slidebar, shower hose, and multifunction handshower
- Adjustable mounting brackets on slidebar provide installation flexibility
- Lightweight handshower designed for easy use and added mobility
- 3-function handshower with wide coverage, intense drenching, and targeted spray options
- MasterClean™ sprayface is easy to clean
- Superior quality 1/2" brass hose fittings are built to last
- Covered by KOHLER lifetime limited warranty
- Handshower offers 2.0 gal/min (7.6 l/min) maximum flow rate
- 24" (610 mm) slidebar length offers a custom shower at various heights



Codes/Standards Applicable

Specified model meets or exceeds the following:

- ASME A112.18.1/CSA B125.1
- EPA WaterSense®

Colors/Finishes

- CP: Polished Chrome
- BN: Brushed Nickel

Specified Model

Model	Description	Colors/Finishes	
K-98362	B90 Slidebar kit	<input type="checkbox"/> CP	<input type="checkbox"/> BN

Product Specification

The slidebar kit shall be 24" (610 mm) in length offering a custom shower at various heights. Kit shall include slidebar, 60" (1524 mm) shower hose, and multifunction handshower. Kit shall feature adjustable mounting brackets on the slidebar providing installation flexibility. Kit shall feature a finish engineered to resist corrosion and daily wear. Kit shall feature lightweight handshower designed for easy use and added mobility. Kit shall feature 3-function handshower with wide coverage, intense drenching, and targeted spray options. Handshower offers 2.0 gal/min (7.6 l/min) maximum flow rate. Kit shall feature MasterClean sprayface for easy cleaning. Kit shall have superior quality 1/2" brass hose fittings built to last. Kit shall be covered by the KOHLER lifetime limited warranty. Slidebar kit shall be Kohler Model K-98362-_____.

AWAKEN™

Installation Notes

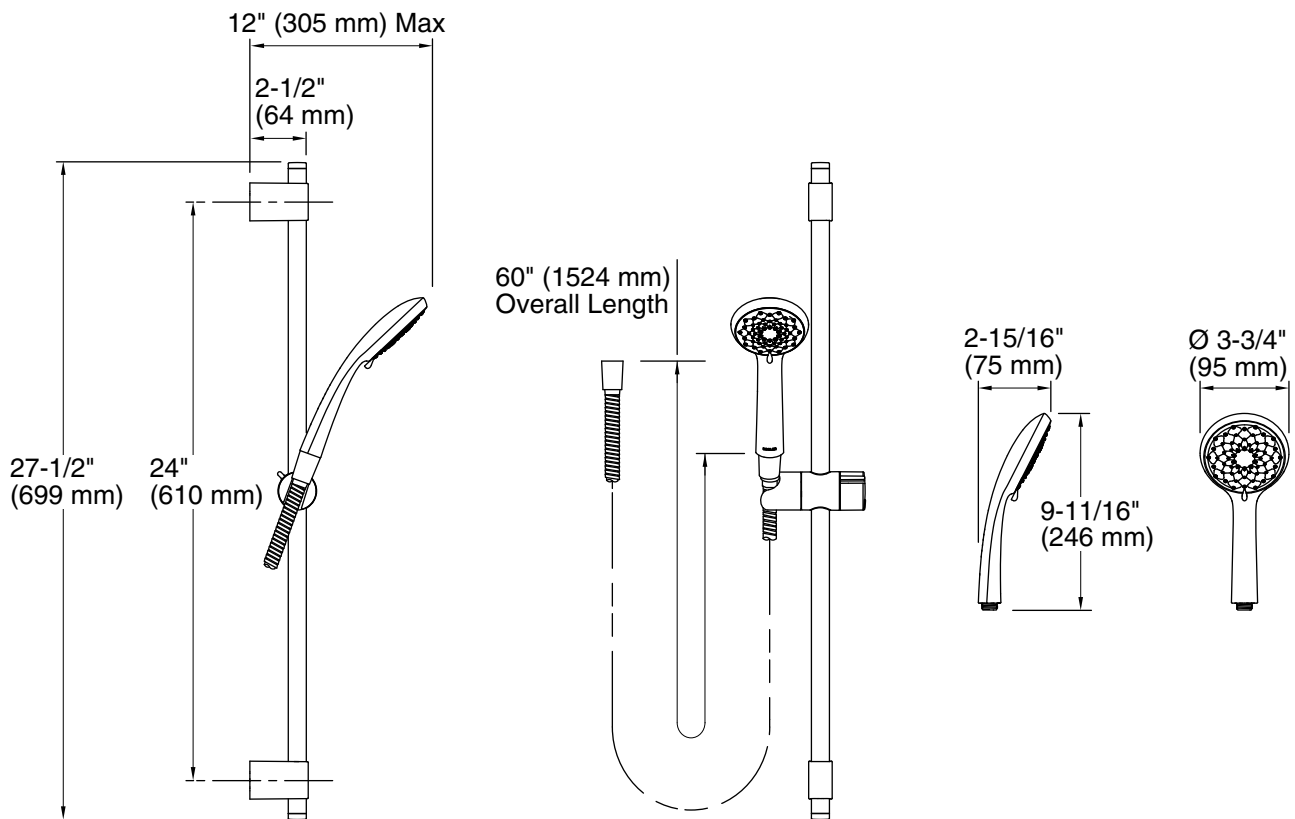
Install this product according to the installation guide.

Mount the sidebar to stud framing or install backing support.

For tile or other solid finish surfaces: Pre-drill mounting holes through surface material only; do not drill into the stud.

For drywall surface: No pre-drill is required.

NOTE: The mounting brackets can be adjusted to align with existing holes for retrofit installations.



Product Diagram