

# A Half Cassette Awning Assembly Guide



**ALEKO®**  
[www.aleko.com](http://www.aleko.com)



# TABLE OF CONTENTS

Introduction .....	4
Warnings .....	4
Required Tools .....	4
Parts Diagram .....	5
Assemble the Fabric Roller .....	6
Assemble the Front Bar .....	7
Assemble to Torsion Bar .....	8
Assemble the Fabric .....	9
Assemble the Cassette .....	10
Assemble the Roller Support .....	11
Connect the Assembled Cassette to the Assembled Torsion Bar .....	11
Connect Arm Bar to the Assembled Front Bar .....	12
Finish Assembly .....	13

## ! INTRODUCTION

Thank you for purchasing ALEKO's Retractable Awning! We hope you will enjoy your awning for many years to come!

To ensure your personal safety during installation and to get the most out of your investment, please read this entire manual before beginning the installation process. If you feel that this process is too difficult to do on your own, we advise that you seek assistance from a local building or home improvement contractor.



**WARNING** Improper assembly and operation of your awning can result in severe personal injury as well as product failure not covered by warranty. Please follow all instructions carefully or contact technical support for assistance.

Installation can be a simple, streamlined process if you follow the instructions in this manual. To accompany these written instructions, ALEKO has a YouTube channel with assembly and installation tutorials, demos, and more. Go to: [www.youtube.com/AlekoProducts](http://www.youtube.com/AlekoProducts).

Please contact our customer support line for help any step of the way. If you need assistance with assembly, have missing or defective parts, or any other issues, please email us at [Sales@AlekoProducts.com](mailto:Sales@AlekoProducts.com) or give us a call Monday through Friday, 7am-6pm PST at +1 (888) 246-8596.

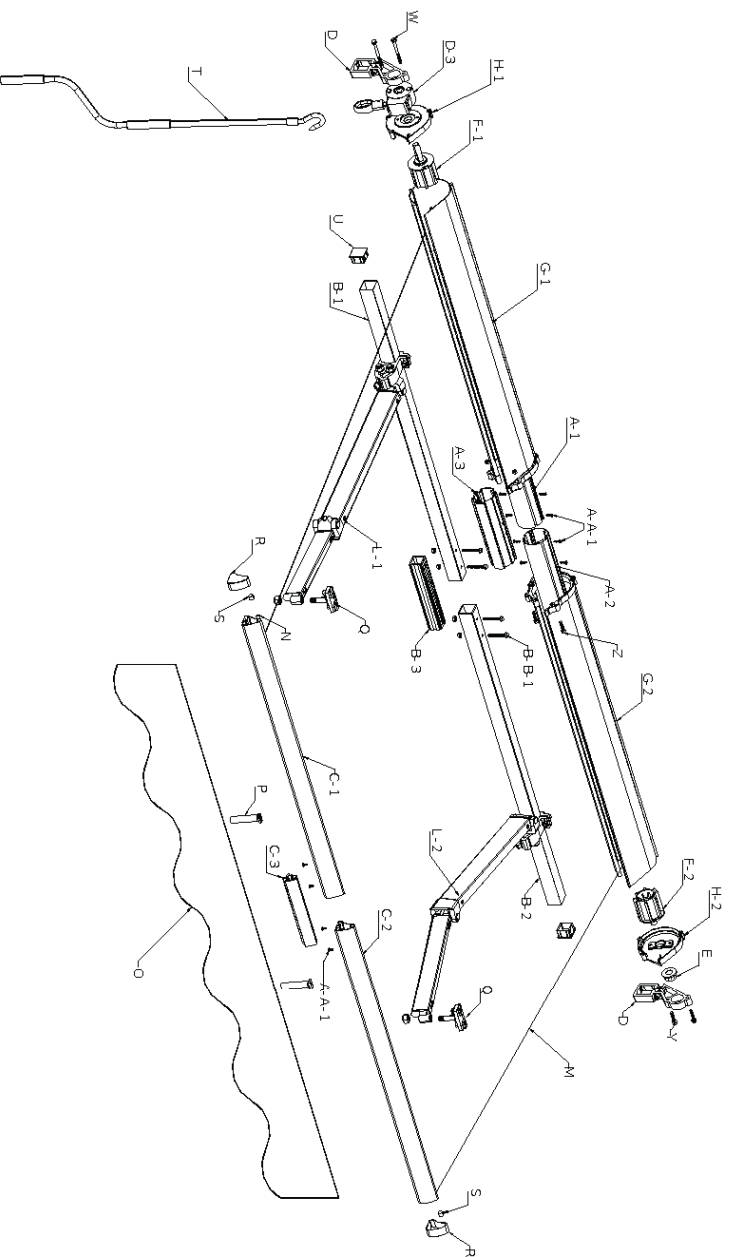
## WARNINGS

- ! Failure to follow these instructions can result in a broken product or personal injury. Please be attentive to each step.
- ! Open the awning packaging carefully to avoid damage to the product or injury to yourself or others.
- ! DO NOT remove the safety wrap that secures the awning arms until instructed to do so. The awning arms will spring open and **can cause serious injury** if handled inappropriately.
- ! Be sure to install ALL screws tightly for maximum security.
- ! Never install your awning in an area with high winds. The awning could fall and cause injury or property damage.
- ! Do not install the awning in a place that receives excessive vibrations.
- ! Do not install the awning in places with high temperatures, such as walls near furnaces.
- ! Never place heavy items on the awning frame. This can cause it to fall down.
- ! Close the awning in storm conditions, such as excessive wind and rain.
- ! Two adults are required for successful and safe assembly.

## TOOLS REQUIRED FOR ASSEMBLY

1. Tape measure
2. Marker
3. Wood or plastic mallet
4. Phillips head screwdriver
5. Allen wrench key in 5mm, 6mm, 10mm, 14mm, 17mm,
6. Socket wrench with 19mm socket
7. Electric drill with 16mm bit
8. Scissors
9. Two ladders

# PARTS DIAGRAM

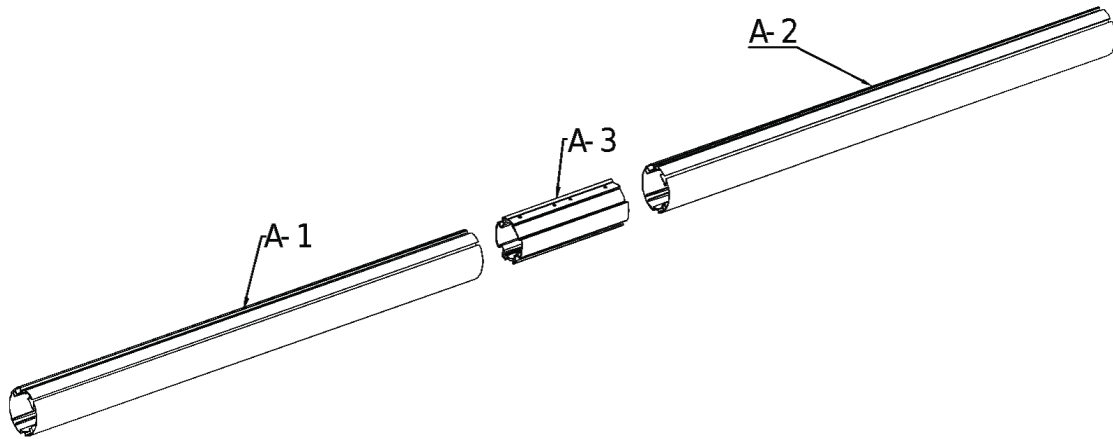


- A-1. Fabric roller (left)
- A-2. Fabric roller (right)
- A-3. Fabric roller connector
- A-A-1. Self-tapping screws M4\*10
- B-1. Torsion bar (left)
- B-2. Torsion bar (right)
- B-3. Torsion bar connector
- B-B-1. Screw M6\*45
- C-1. Front bar (left)
- C-2. Front bar (right)
- C-3. Front bar connector
- D. Fabric roller support
- D-3. Gear box
- E. Plastic bushing
- F-1. Fabric roller end cap with square bar
- F-2. Fabric roller end cap with Round bar
- G-1. Cassette of awning (left)
- G-2. Cassette of awning (right)
- H-1. End cap of cassette of awning (left)
- H-2. End cap of cassette of awning (right)
- L-1. Left arm
- L-2. Right arm
- M. Fabric
- N. Fabric liner
- O. Flap
- P. Blocker
- Q. Arm-bar link
- R. Plastic cover for front bar
- S. Spare parts to lock fabric at front bar
- T. Crank
- U. Plastic cover for torsion bar
- W. Bolts M6\*70
- Y. Bolts M6\*30
- Z. Bolts M6\*25

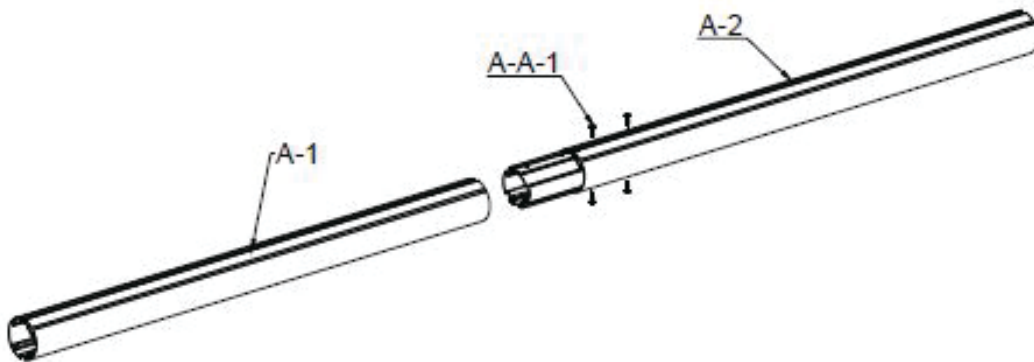
## ASSEMBLY

### Assemble the fabric roller (A)

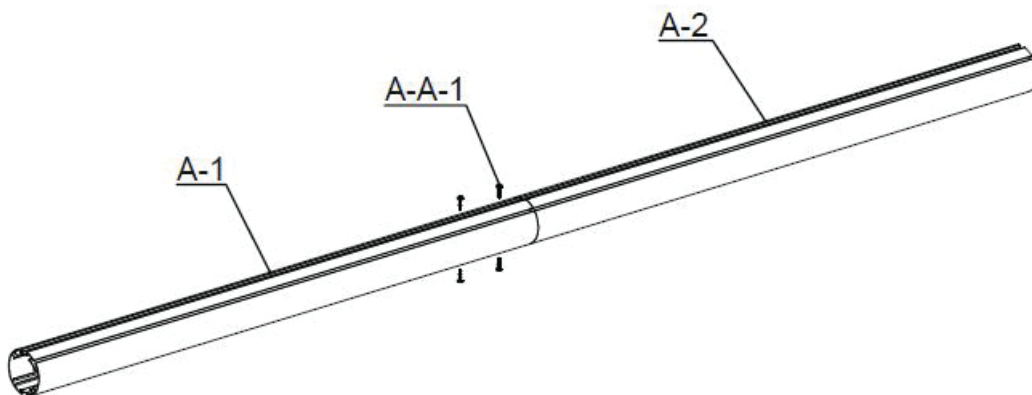
- Insert fabric roller link (A-3) into fabric roller bar (A-2) and tap into place with a mallet.



- Use 4 (A-A-1) screws to secure (A-3) in place.



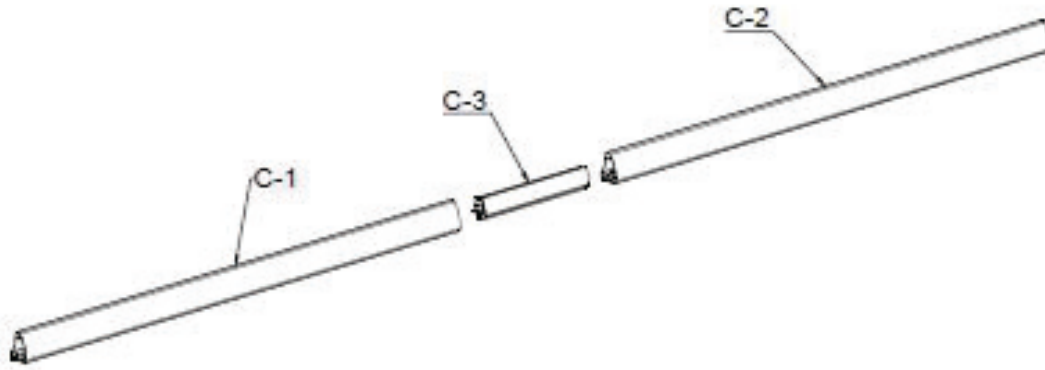
- Insert fabric roller link (A-3) into fabric roller bar (A-1) and tap into place with a mallet.
- Use 4 (A-A-1) screws to secure (A-3) in place.



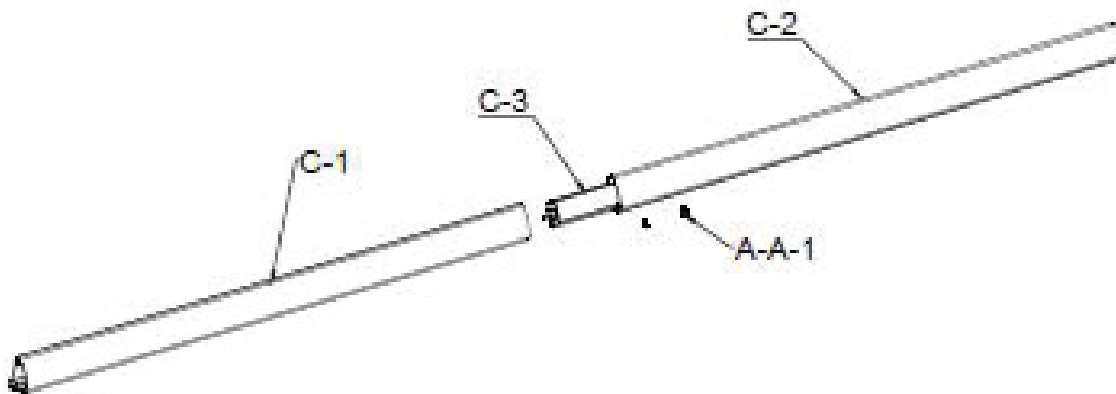
## ASSEMBLY

### Assemble the front bar (C)

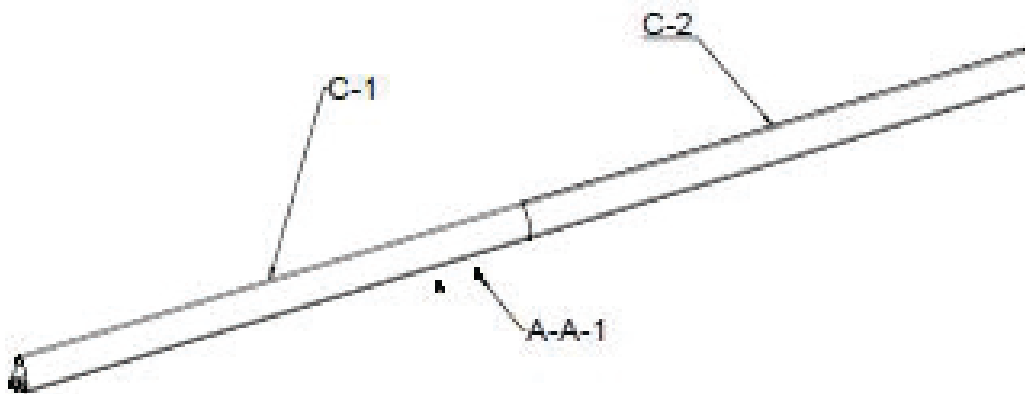
- Insert front bar link (C-3) into front bar (C-2) and tap into place with a mallet.



- Use 4 (A-A-1) screws to secure (C-3) in place.
- Insert front bar link (C-3) into front bar (C-1) and tap into place with a mallet.



- Use 4 (A-A-1) screws to secure (C-3) in place.



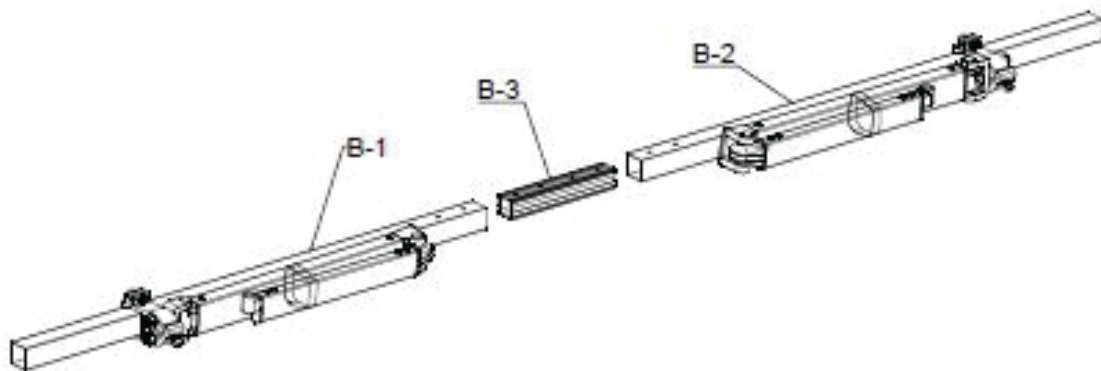
## ASSEMBLY

### Assemble to torsion bar (B)

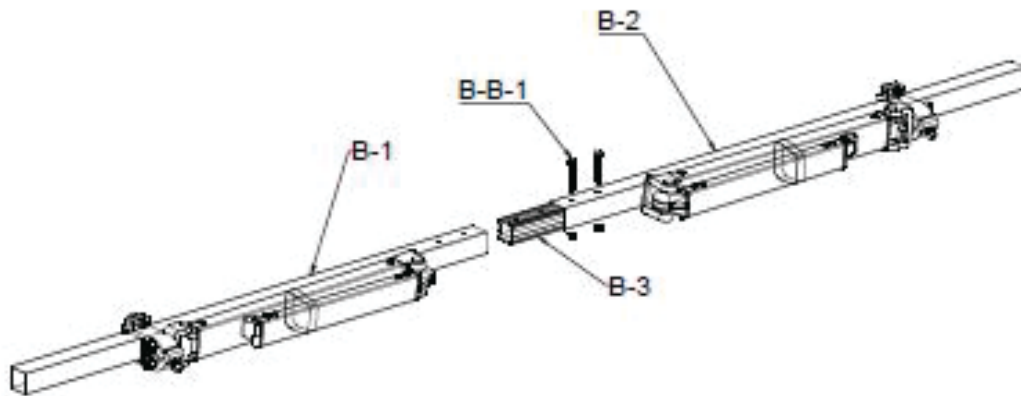
- Insert torsion bar link (B-3) into torsion bar (B-2) and tap into place with a mallet.



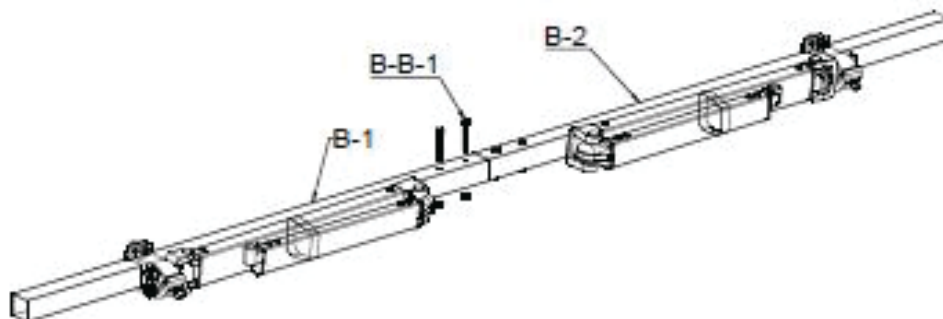
**WARNING** DO NOT REMOVE THE SAFETY SLEEVES THAT HOLD THE ARMS DOWN!



- Use (B-B-1) screws to secure (B-3) in place.
- Insert torsion bar link (B-3) into torsion bar (B-1) and tap into place with a mallet.



- Use (B-B-1) screws to secure (B-3) in place.

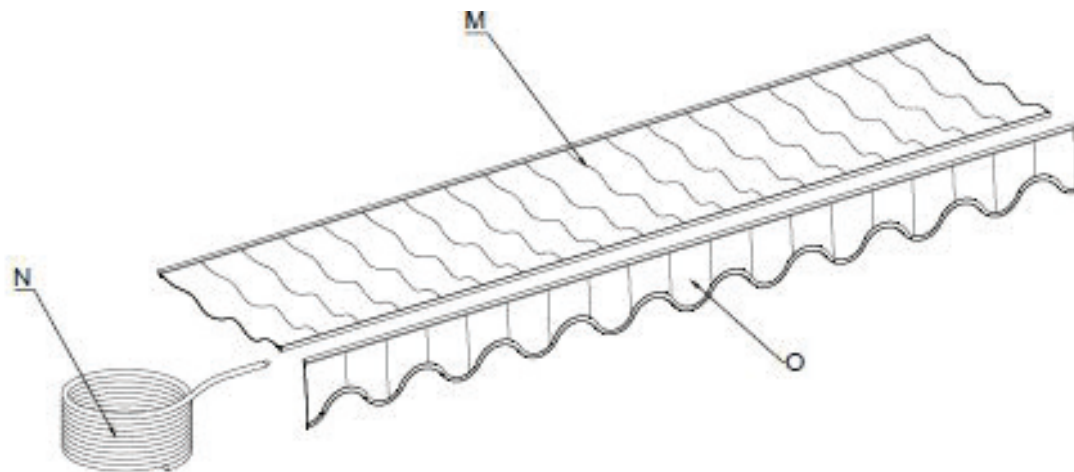




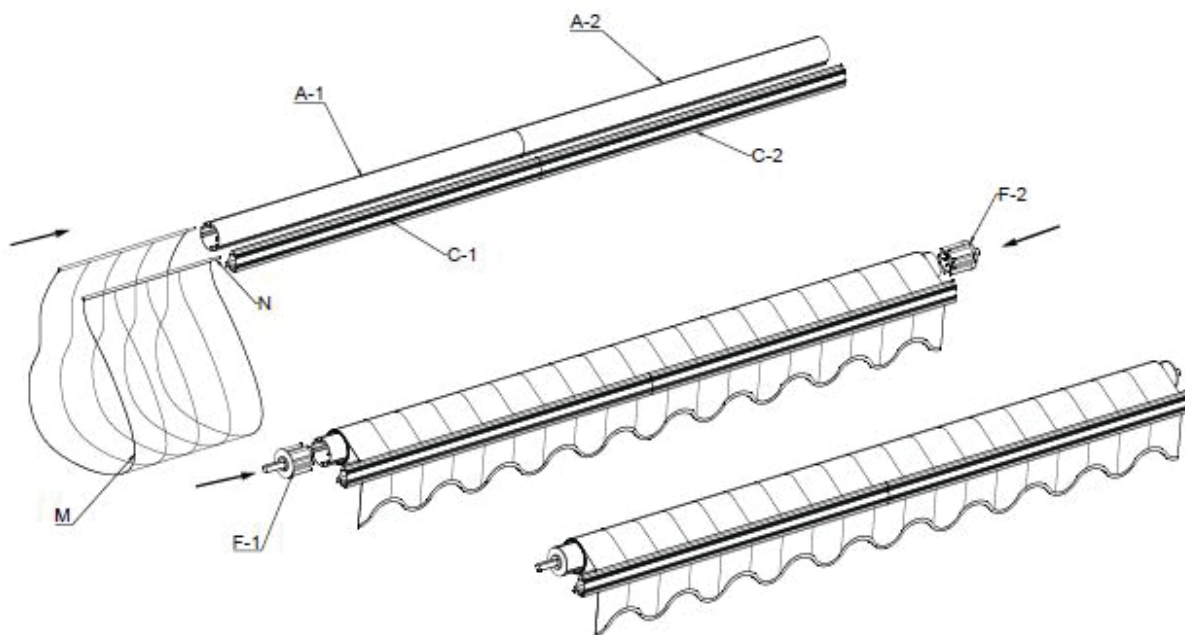
## ASSEMBLY

### Assemble the fabric.

- Unfold canopy (M) and valance (O).
- Thread two fabric liner (N) to both ends of (M) and (O); two people will make this much easier.
- Once (N) has been threaded through both sides of (M), thread the back side of (M) and its liner through the slot in the assembled fabric roller (A) all the way to the end.



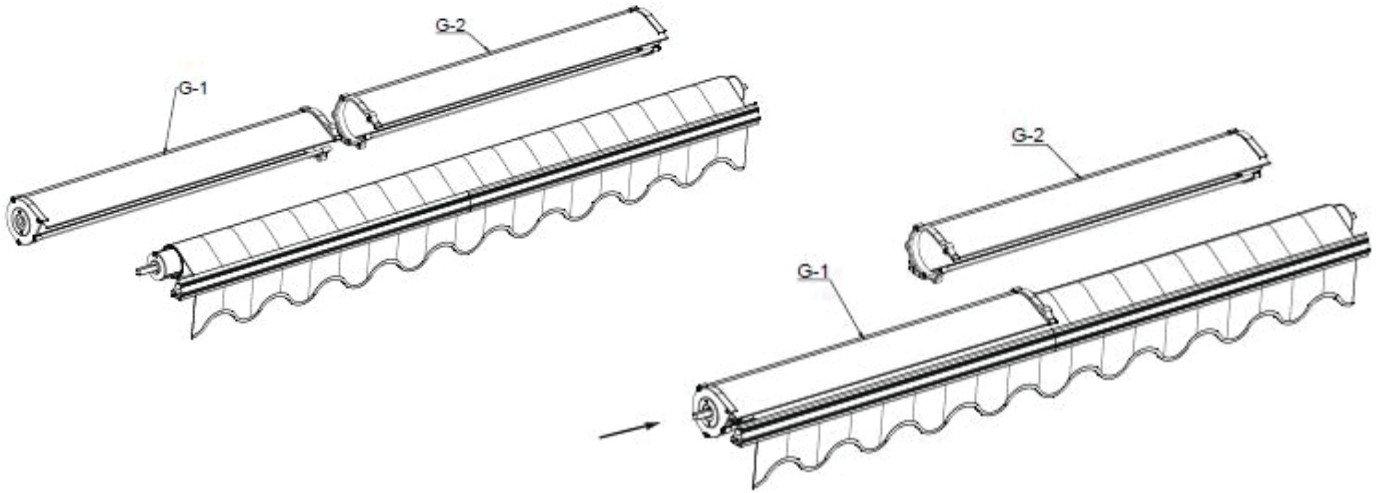
- Use the roller tube to roll canopy (M) into the assembled fabric roller (A).
- Thread the front side of (M) through the slot in the assembled front bar (C).
- Repeat steps c-d to thread valance (O) into front bar (C).
- Insert fabric roller end caps (F-1) and (F-2) into the ends of assembled fabric roller (A).



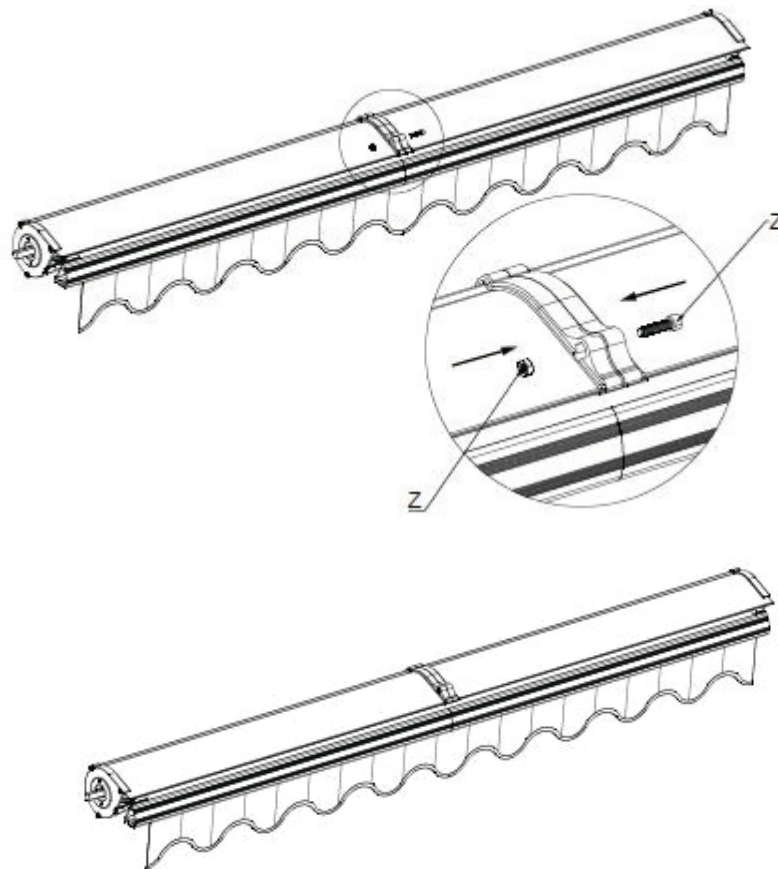
## ASSEMBLY

### Assemble the Cassette (G).

- Insert the completed roller with fabric into cassette (G-1); the end of roller end cap (F-1) will stick out of the end of (G-1).
- Repeat step b with the other end of the completed roller into cassette (G-2).



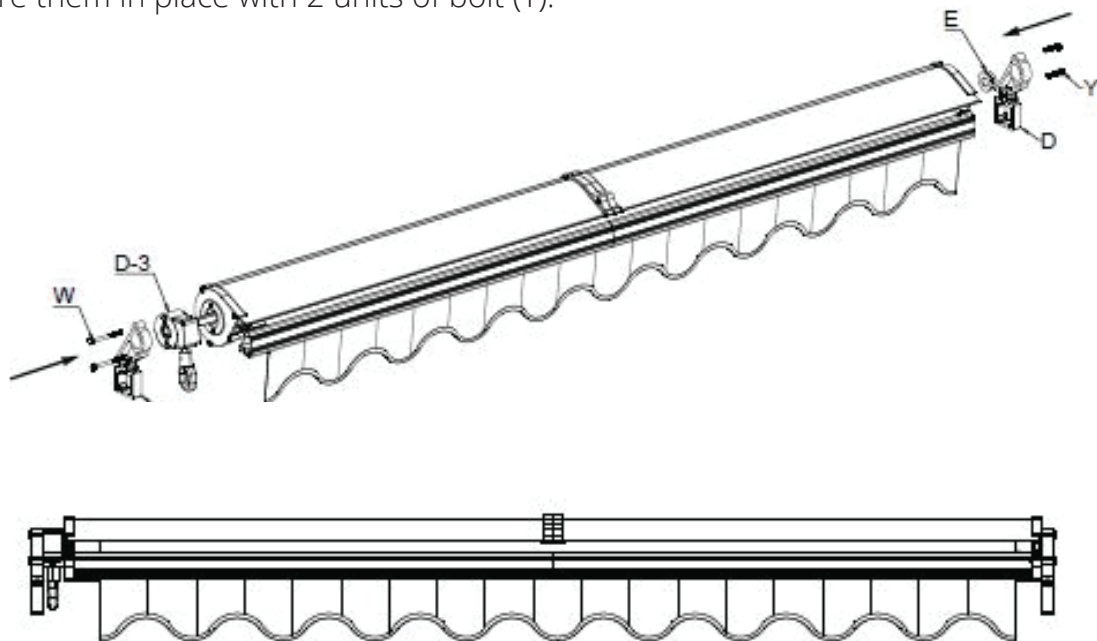
- Use 3 units of bolt (Z) to secure (G-1) and (G-2) together.



## ASSEMBLY

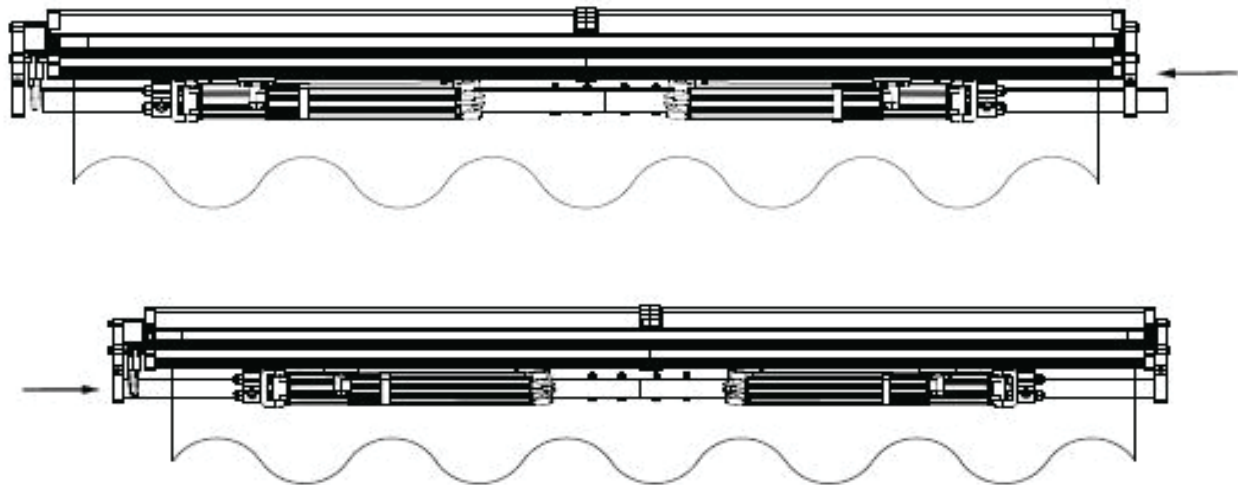
### Assemble the Roller Support

- Attach 1 unit of roller support (D) and gear box (D-3) to the end cap of cassette (H-1) and secure them in place with 2 pieces of bolt (W).
- Attach 1 unit of roller support (D) and 1 unit of plastic bushing (E) to the end cap of cassette (H-2) and secure them in place with 2 units of bolt (Y).



### Connect the Assembled Cassette to the Assembled Torsion Bar.

- Insert assembled torsion bar (B) about 2 inches into the (G-2) side of the assembled cassette.
- Adjust the right side of the assembled torsion bar (B) to roller support (D) in assembled cassette (G). Make sure roller support (D) and the end of the assembled torsion bar are level.
- Tighten roller support (D) by adjusting the bolts with a 6mm Allen wrench.

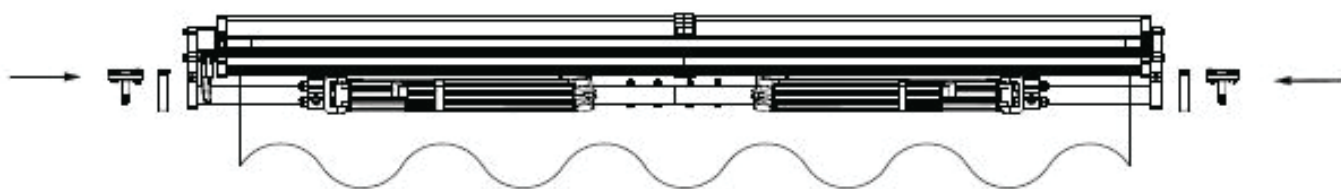


## ASSEMBLY

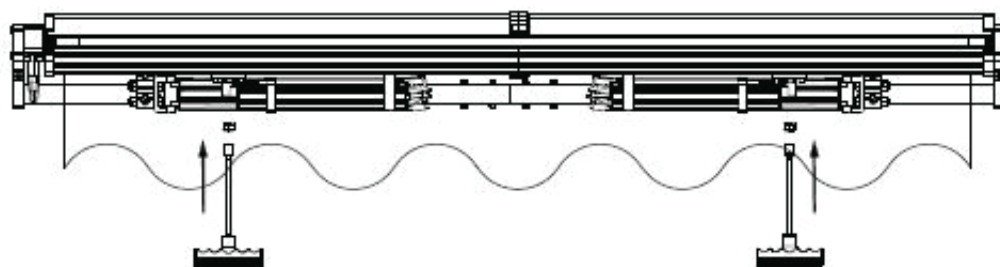
### Connect Arm Bar to the Assembled Front Bar.

- Before assembly, inspect the wrapping on the arm bar (L) and make sure the wrapping is intact.  
**Arm bars are spring-loaded and can cause serious damage or injury during assembly.**

- Insert blocker (P) into side slot of assembled front bar (C) and carefully thread the blocker to the middle of the front bar.
- Insert blocker (P) into side slot of assembled front bar (C) from the other side and carefully thread the blocker to the middle of the front bar so the two blockers are side by side.



- Insert arm bar link (Q) to each end of the front bar (C) near the head of each arm (L) which are attached to the torsion bar (B).
- Attach the arm bar link (Q) to the top of each arm (L) and tighten with a wrench.

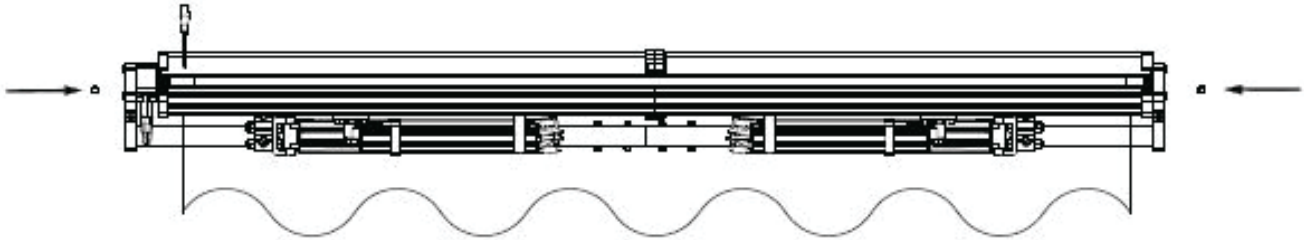


**WARNING** DO NOT REMOVE THE SAFETY SLEEVES THAT HOLD THE ARMS DOWN!

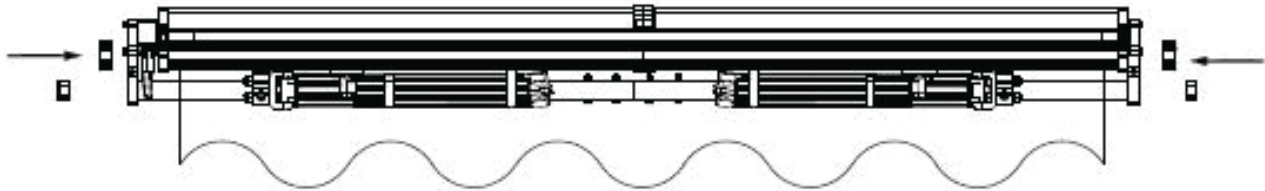
## ASSEMBLY

### Finish Assembly

- Insert fabric lock (S) into both ends of assembled front bar (C) near the canopy fabric (M); tighten fabric locks with a Phillips head screwdriver.



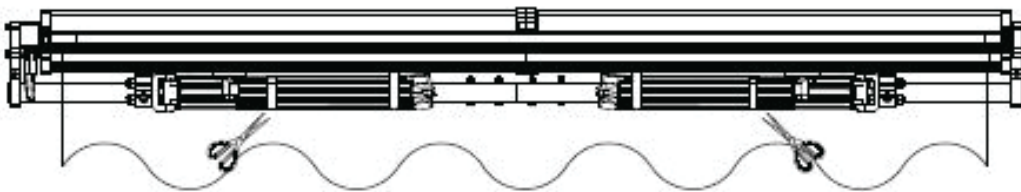
- Insert torsion bar cover (U) and front bar cover (R) onto each end of the assembled torsion bar (B) and assembled front bar (R), respectively.



- Once the awning is completed, you can cut the wrapping on the arms.



**USE CAUTION** WHEN REMOVING THE SAFETY SLEEVES THAT HOLD THE ARMS DOWN!



**Enjoy your completed awning!**



SCAN QR CODE WITH YOUR MOBILE  
DEVICE FOR MORE INFORMATION



## ALEKO Products

8307 S 192ND ST. KENT, WA 98032

SALES@ALEKOPRODUCTS.COM

PHONE: +1 (888) 246-8596

ALEKO.COM

YOUTUBE.COM/ALEKOPRODUCTS