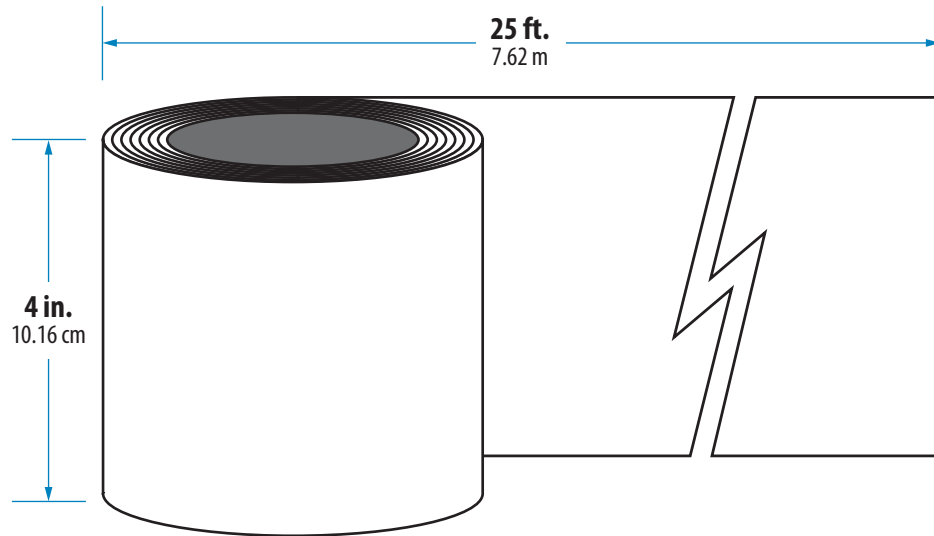


**.017 Galvanized Steel • 4 in. x 25 ft. • 1/8 inch mesh**



**KWIKMESH™**

Hot-dipped galvanized steel is compatible with pressure treated wood