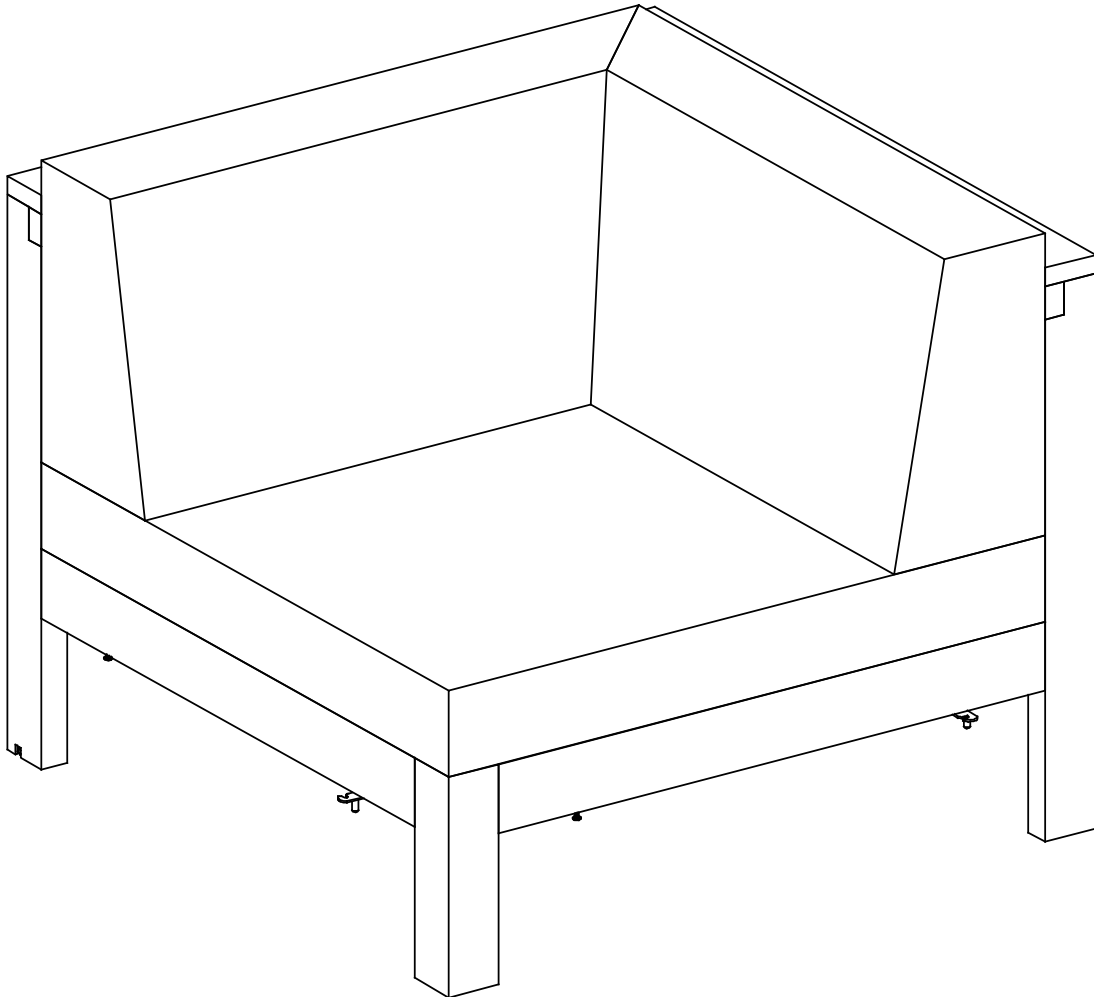


Assembly Instructions

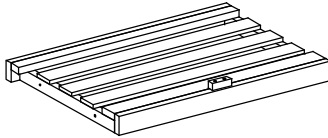
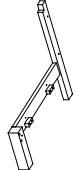
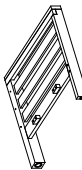
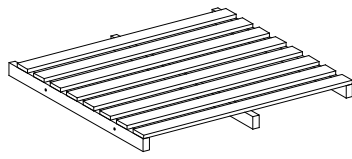
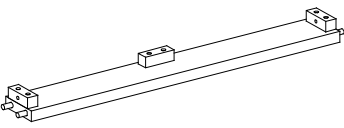
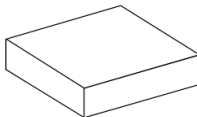
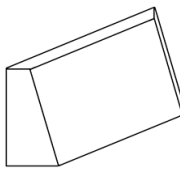
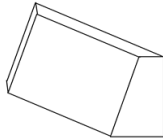
CORNER CHAIR

CAUTION: You must read this before you proceed.

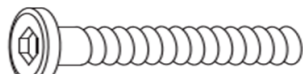
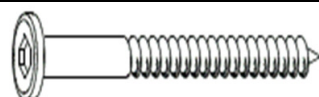
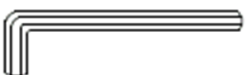


CAUTION : This Corner chair is NOT a TOY.
Keep your child / children at bay in the process of assembly.
For turning the Corner chair and to prevent damage to the Corner chair, 02 persons may be needed to execute this action.

Parts List

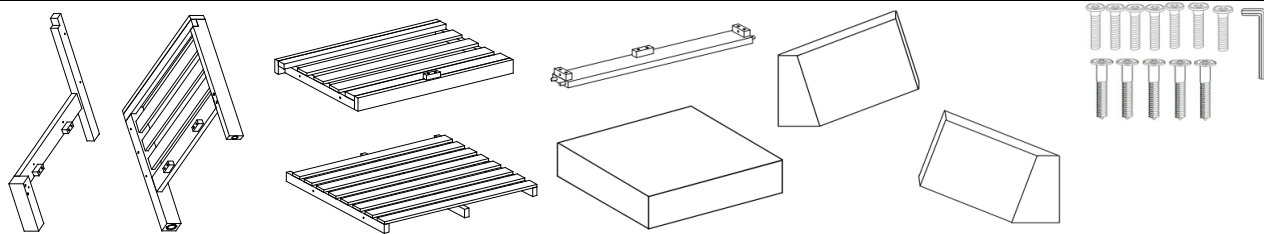
No.	Picture	Description	Qty
A		Backrest Panel	1
B		Left Arm Panel	1
C		Right Arm Panel	1
D		Seat Panel	1
E		Support Bar	1
F		Seat Cushion	1
G		Left Back Cushion	1
H		Right Back Cushion	1

Hardware

No.	Picture	Description	Qty
①		Bolts (M6x35mm)	7
②		Screws (M6x35mm)	5
③		Allen Key	1

Assembly Preparation

Before Beginning Assembly:



Read instructions, cover to cover.



Have 2 adults on hand for assembly.



Do not assemble on flooring or carpet.



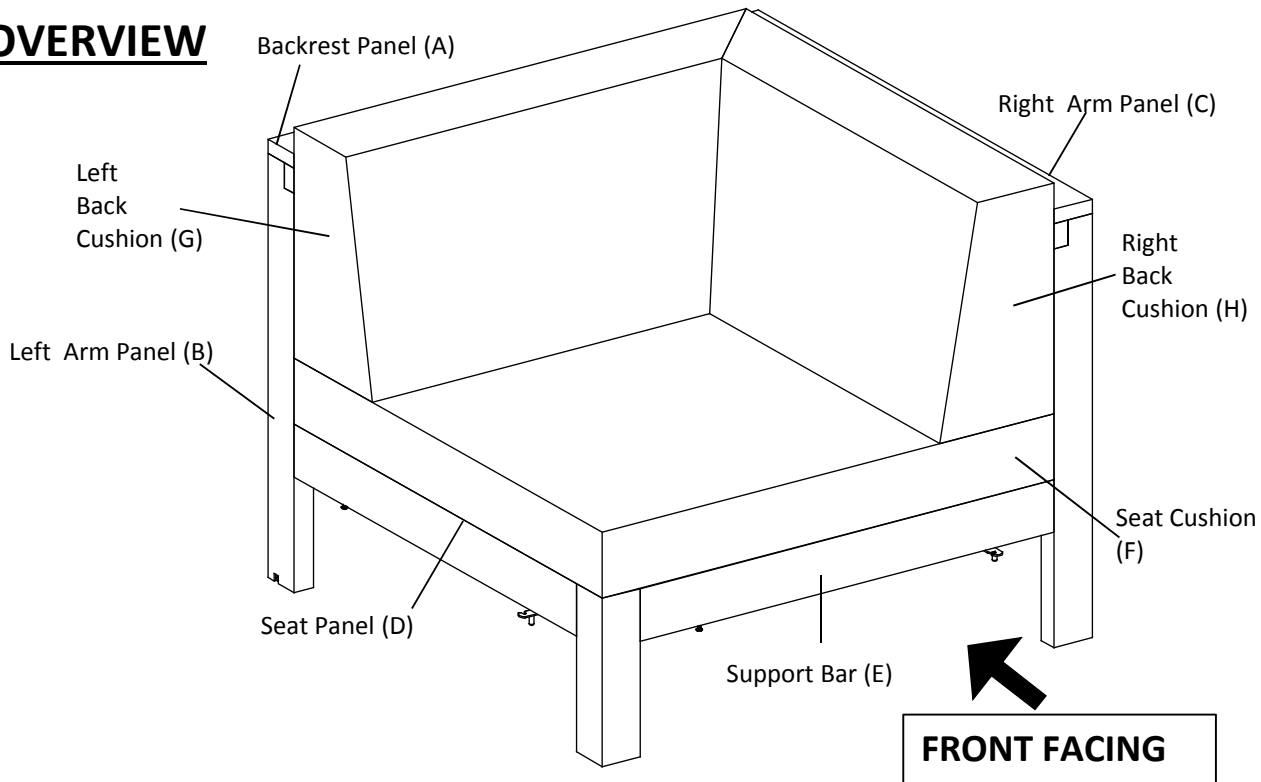
Assemble on a clean non-marring surface (packing foam).



Save all packaging until finished.

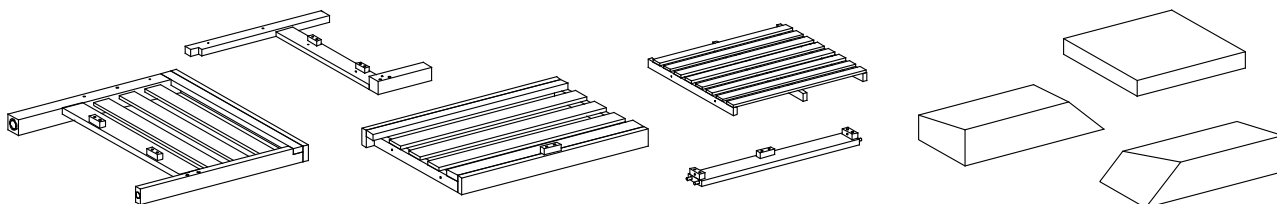
Assembly Steps

OVERVIEW



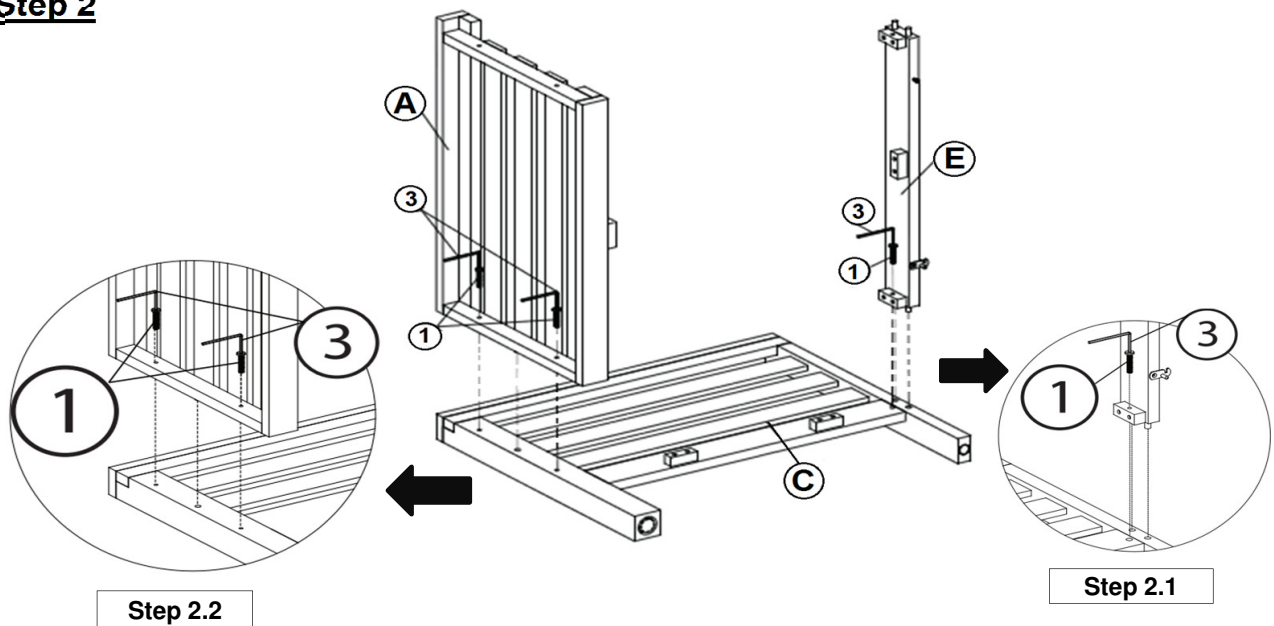
This Cornerchair has multiple parts and may require up to 30 minutes to assemble. To give you an overview of the Cornerchair parts, the above picture is to help you put the various parts into perspective. Please read through the instructions herebelow to familiarise the parts and steps before assembly.

Step 1



Unpack and place all parts on a clean, non-marring surface.

Step 2



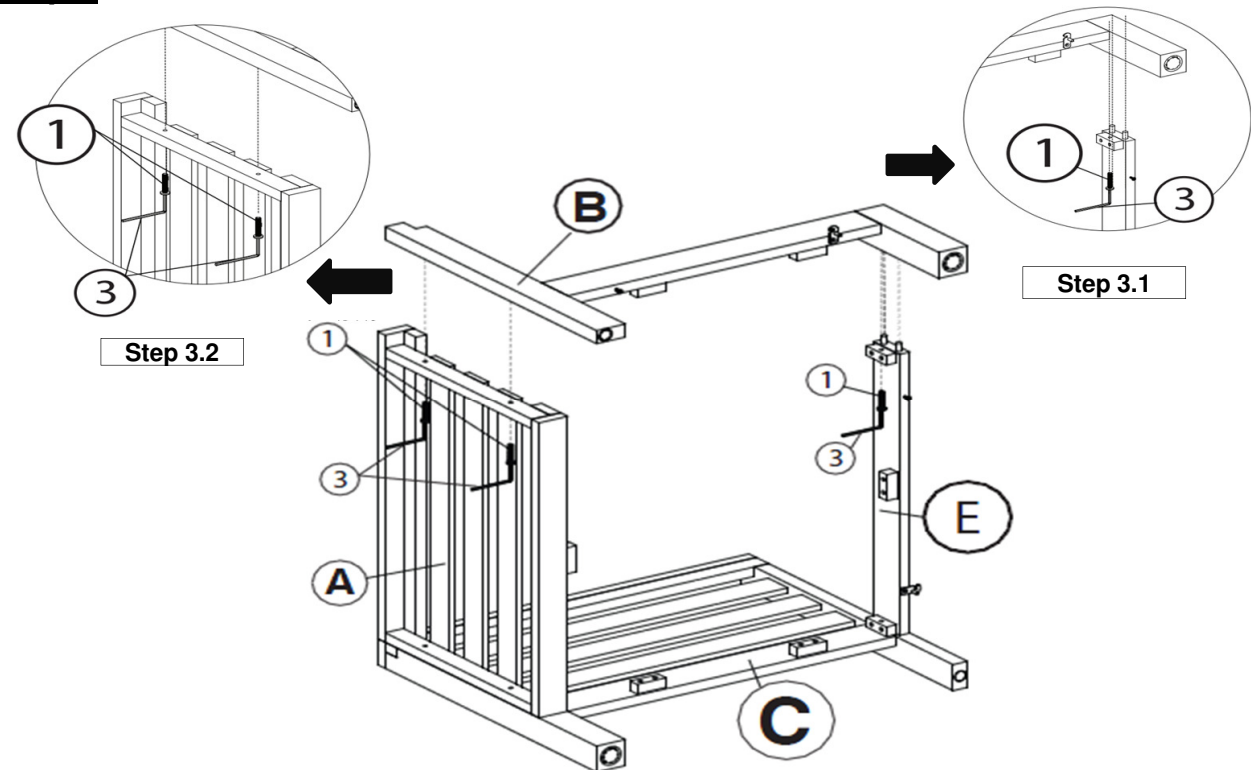
Place the Right Arm Panel (C) with inside face skywards onto a clean, soft surface to avoid any scratches or damages to the product.

Step 2.1: Align the dowels of Support Bar (E) into the positions in the Right Arm Panel (C). Then, affix Support Bar (E) with Right Arm Panel (C) by using Bolt (1) and Allen Key (3)..

Step 2.2: Attach the Backrest Panel (A) onto Right Arm Panel (C) by using Bolts (1) and Allen Key (3).

DO NOT FULLY TIGHTEN BOLTS.

Step 3



Place Left Arm Panel (B) onto the assembled frame from Step 2

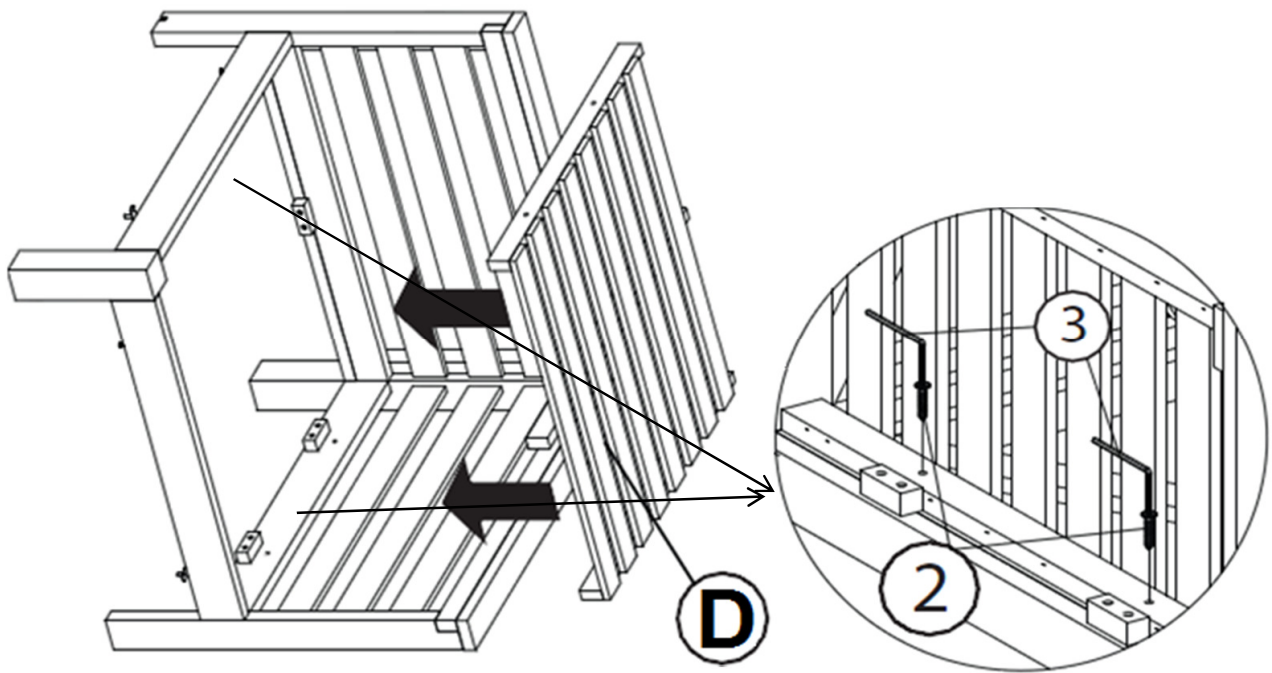
Step 3.1: Align the dowels of Support Bar (E) into the positions in the Left Arm Panel (B). Then, affix Support Bar (E) with Right Arm Panel (C) by using Bolt (1) and Allen Key (3).

Step 3.2: Attach the Left Arm Panel (B) onto Backrest Panel (A) by using Bolts (1) and Allen Key (3).

Note: Can put on table to assembly easier.

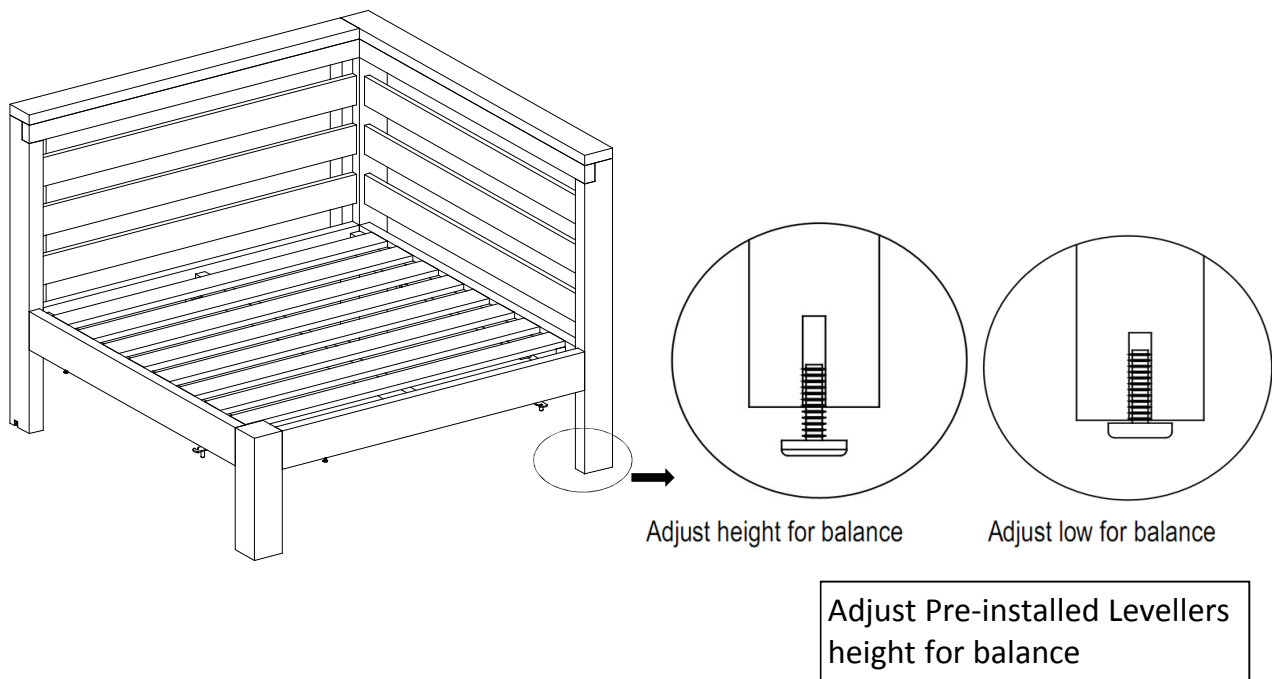
DO NOT FULLY TIGHTEN BOLTS.

Step 4



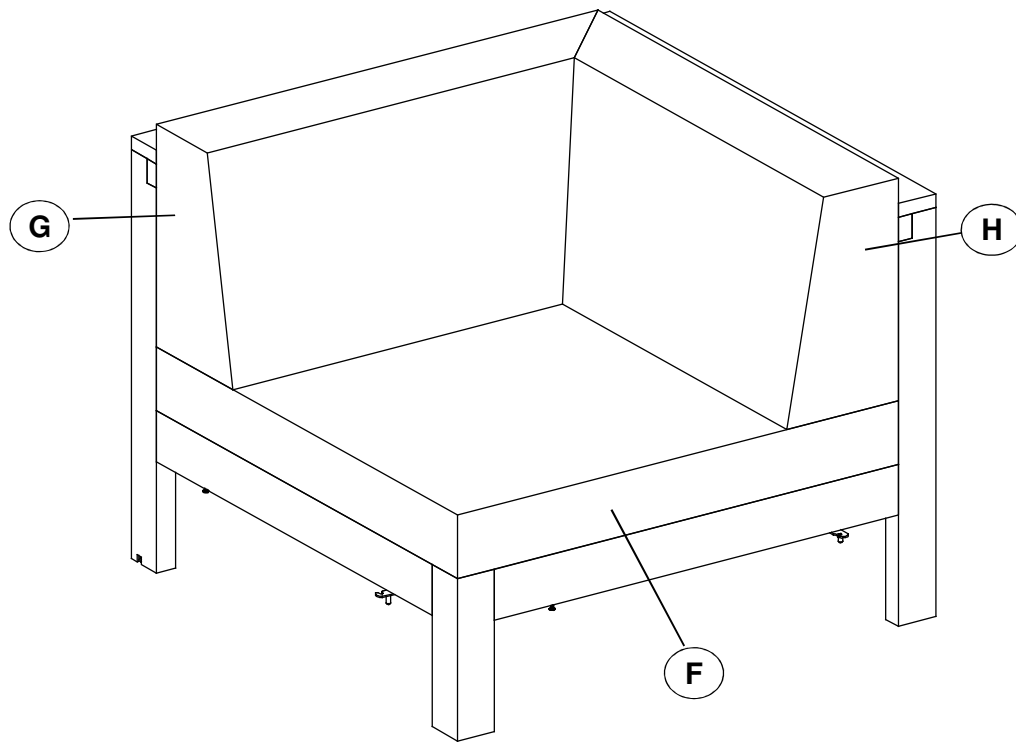
Attach the Seat Panel (D) into the Corner Chair as shown in picture above.
Affix Seat Panel (D) with Corner Chair by using Screws (②) and Allen Key (③).
Note: Using Screws (②) from inside to outside of Seat Panel (D)
DO NOT FULLY TIGHTEN SCREWS.

Step 5



Inspect the Corner Chair and make sure all parts are adequately connected.
In a sequential manner, tighten all Screws and Bolts at all joints.
With assistance from your adult partners, adjust the Levellers to desired height to avoid wobbles.

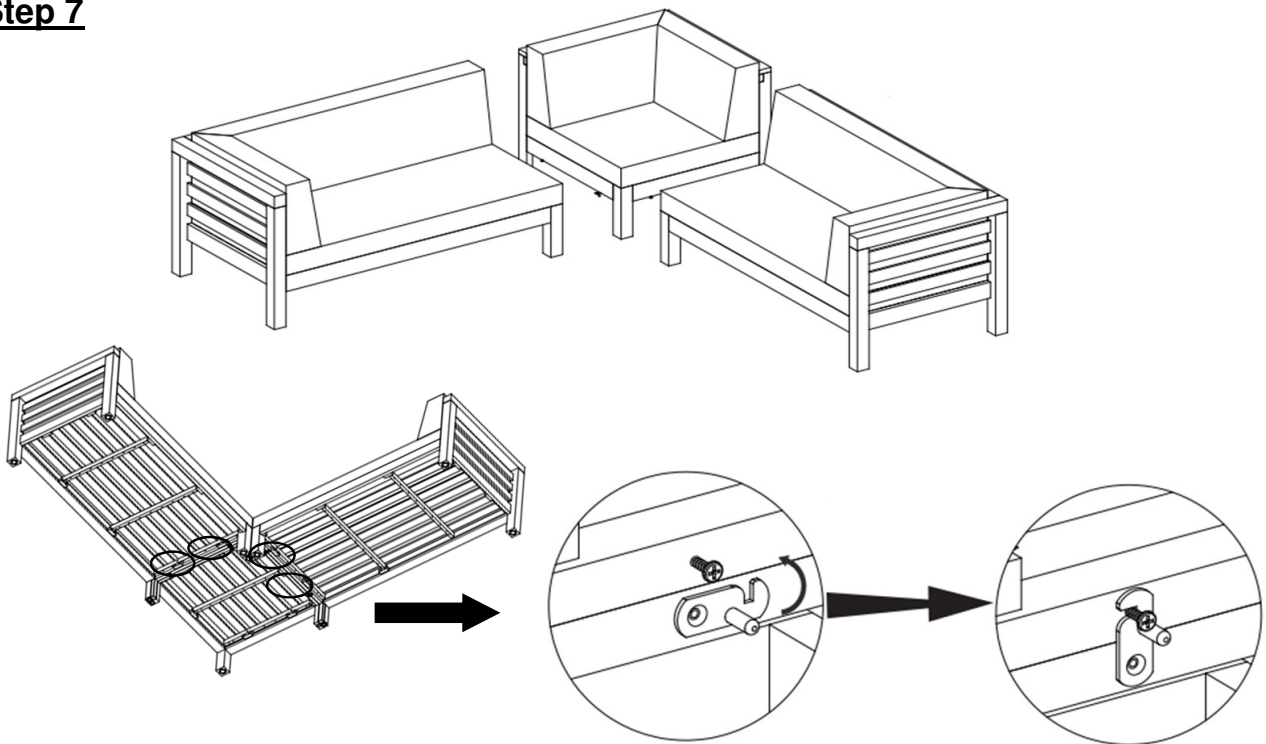
Step 6



Turn the Corner Chair right side up.
Place Seat Cushion (F), Left Back Cushion (G) and Right Back Cushion (H) to Seat Panel (D).
Inspect it and make sure all parts are adequately connected.
Ensure all screws, bolts are fully locked into position and secured.
The Corner Chair is ready to be used.

Caution: This Armchair can only be used on a flat, level surface.










Step 7



Note: This is optional step in case we want to connect all chairs in a set together and should be done before placing cushion

With assistance from your adult partners, up side down the chairs and using pre-fixed clip to connect the chairs together

Care & Maintenance

-  Do not put hot items directly on furniture surface
-  Do not clean furniture with harsh cleansers or polish.
-  To obtain the longest lifespan of your outdoor products, minimizing exposure to direct sunlight is recommended.
-  Children should not climb or jump on the furniture.
-  Do not write on furniture without a padded barrier to protect the surface.
-  To obtain the longest lifespan of your outdoor products, avoid extended and lengthy exposure to rain, snow, and direct sunshine. Whenever possible cover the product and /or place under patio or awnings.
-  Not for commercial use. For residential use only .
-  Stains may be removed with mild soap solution and damp cloth.
-  Dust and pick-up spills using a clean, non-colored, lint-free cloth.

Questions & Answers about Proposition 65

- What is Proposition 65?

Proposition 65 requires businesses to provide warnings to Californians about significant exposures to chemicals that cause cancer, birth defects or other reproductive harm. These chemicals can be in the products that Californians purchase, in their homes or workplaces, or that are released into the environment. By requiring that this information be provided, Proposition 65 enables Californians to make informed decisions about their exposures to these chemicals.

Proposition 65 also prohibits California businesses from knowingly discharging significant amounts of listed chemicals into sources of drinking water.

Proposition 65 requires California to publish a list of chemicals known to cause cancer, birth defects or other reproductive harm. This list, which must be updated at least once a year, has grown to include approximately 900 chemicals since it was first published in 1987.

- What types of chemicals are on the Proposition 65 list?

The list contains a wide range of naturally occurring and synthetic chemicals that include additives or ingredients in pesticides, common household products, food, drugs, dyes, or solvents. Listed chemicals may also be used in manufacturing and construction, or they may be byproducts of chemical processes, such as motor vehicle exhaust.

- What does a warning mean?

If a warning is placed on a product label or posted or distributed at a workplace, a business, or in rental housing, the business issuing the warning is aware or believes that it is exposing individuals to one or more listed chemicals.

By law, a warning must be given for listed chemicals unless the exposure is low enough to pose no significant risk of cancer or is significantly below levels observed to cause birth defects or other reproductive harm.

- Where can I get more information on Proposition 65?

If you have specific questions on the administration or implementation of Proposition 65, you can contact OEHHA's Proposition 65 program at P65.Questions@oehha.ca.gov, or by phone at (916) 445-6900.]