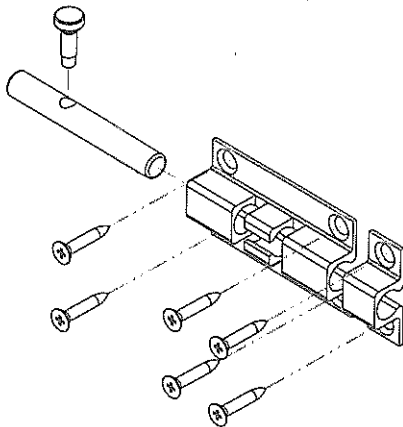
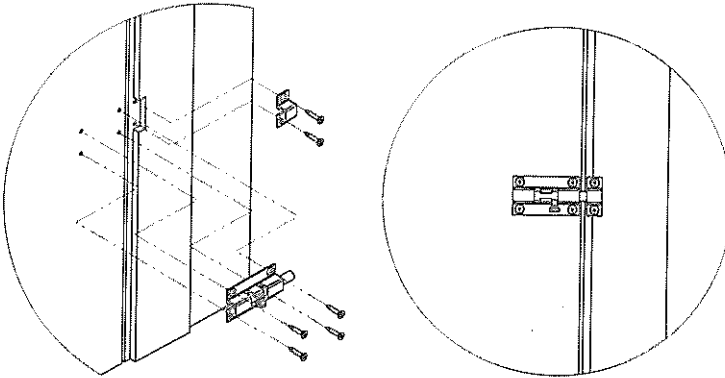


### INSTRUCTIONS

1. Position bolt plate on door at desired location and mark screw holes. Drill  $3/32"$  diameter pilot holes  $1/2"$  deep and fasten bolt plate to door with screws.
2. Position strike plate on door jamb over bolt, making sure bolt will slide into strike properly with bolt extended. Mark screw hole locations. Drill  $3/32"$  diameter pilot holes  $1/2"$  deep and fasten strike plate to jamb with screws.



1853

**SATISFACTION GUARANTEED**

(See website for details <http://www.hickoryhardware.com/warranty>)

©Belwith Products

3100 Broadway, SW • Grandville, MI 49418

Made to Belwith Products' specifications in China