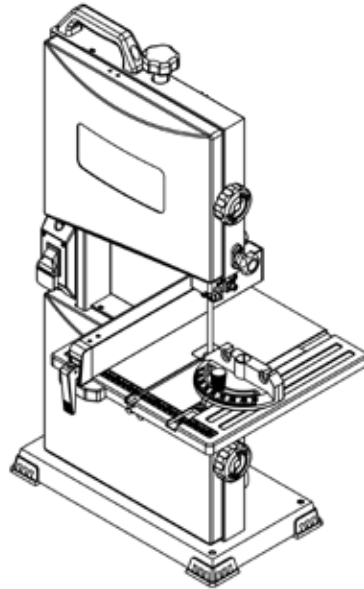




9-INCH BENCHTOP BAND SAW



Model # 3939
bit.ly/wenvideo


IMPORTANT:

Your new tool has been engineered and manufactured to WEN's highest standards for dependability, ease of operation, and operator safety. When properly cared for, this product will supply you years of rugged, trouble-free performance. Pay close attention to the rules for safe operation, warnings, and cautions. If you use your tool properly and for intended purpose, you will enjoy years of safe, reliable service.



NEED HELP? CONTACT US!

Have product questions? Need technical support?
Please feel free to contact us at:

 **800-232-1195** (M-F 8AM-5PM CST)

 techsupport@wenproducts.com

 WENPRODUCTS.COM

TABLE OF CONTENTS

Technical Data	2
General Safety Rules	3
Specific Safety Rules For Band Saw	4
Electrical Information	5
Assembly	7
Adjustments	9
Operation.....	12
Maintenance	13
Exploded View & Parts List.....	14
Warranty	17

TECHNICAL DATA

Model Number:	3939
Motor:	120 V, 60 Hz, 300W, 2.8A
Throat:	9 inches
Cutting Depth:	3-5/8 inches
Speeds:	2460 FPM
Table Angle:	0 to 45 degrees
Work Table:	12 x 12 inches
Blade Length:	62 inches
Blade Width:	1/8 to 3/8 inches
Weight:	44 pounds

GENERAL SAFETY RULES

Safety is a combination of common sense, staying alert and knowing how your item works. **SAVE THESE SAFETY INSTRUCTIONS.**

WARNING: To avoid mistakes and serious injury, do not plug in your tool until the following steps have been read and understood.

1. **READ** and become familiar with this entire instruction manual. **LEARN** the tool's applications, limitations, and possible hazards.
2. **AVOID DANGEROUS CONDITIONS.** Do not use power tools in wet or damp areas or expose them to rain. Keep work areas well lit.
3. **DO NOT** use power tools in the presence of flammable liquids or gases.
4. **ALWAYS** keep your work area clean, uncluttered, and well lit. **DO NOT** work on floor surfaces that are slippery with sawdust or wax.
5. **KEEP BYSTANDERS AT A SAFE DISTANCE** from the work area, especially when the tool is operating. **NEVER** allow children or pets near the tool.
6. **DO NOT FORCE THE TOOL** to do a job for which it was not designed.
7. **DRESS FOR SAFETY.** Do not wear loose clothing, gloves, neckties, or jewelry (rings, watches, etc.) when operating the tool. Inappropriate clothing and items can get caught in moving parts and draw you in. **ALWAYS** wear non-slip footwear and tie back long hair.
8. **WEAR A FACE MASK OR DUST MASK** to fight the dust produced by sawing operations.

WARNING: Dust generated from certain materials can be hazardous to your health. Always operate the tool in a well-ventilated area and provide for proper dust removal. Use dust collection systems whenever possible.

9. **ALWAYS** remove the power cord plug from the electrical outlet when making adjustments, changing parts, cleaning, or working on the tool.
10. **KEEP GUARDS IN PLACE AND IN WORKING ORDER.**
11. **AVOID ACCIDENTAL START-UPS.** Make sure the power switch is in the OFF position before plugging in the power cord.
12. **REMOVE ADJUSTMENT TOOLS.** Always make sure all adjustment tools are removed from the saw before turning it on.
13. **NEVER LEAVE A RUNNING TOOL UNATTENDED.** Turn the power switch to OFF. Do not leave the tool until it has come to a complete stop.
14. **NEVER STAND ON A TOOL.** Serious injury could result if the tool tips or is accidentally hit. **DO NOT** store anything above or near the tool.

GENERAL SAFETY RULES

15. **DO NOT OVERREACH.** Keep proper footing and balance at all times. Wear oil-resistant rubber-soled footwear. Keep the floor clear of oil, scrap, and other debris.
16. **MAINTAIN TOOLS PROPERLY.** ALWAYS keep tools clean and in good working order. Follow instructions for lubricating and changing accessories.
17. **CHECK FOR DAMAGED PARTS.** Check for alignment of moving parts, jamming, breakage, improper mounting, or any other conditions that may affect the tool's operation. Any part that is damaged should be properly repaired or replaced before use.
18. **MAKE THE WORKSHOP CHILDPROOF.** Use padlocks and master switches and ALWAYS remove starter keys.
19. **DO NOT** operate the tool if you are under the influence of drugs, alcohol, or medication that may affect your ability to properly use the tool.
20. **USE SAFETY GOGGLES AT ALL TIMES** that comply with ANSI Z87.1. Normal safety glasses only have impact resistant lenses and are not designed for safety. Wear a face or dust mask when working in a dusty environment. Use ear protection such as plugs or muffs during extended periods of operation.

SPECIFIC RULES FOR BAND SAW

1. To avoid injury from unexpected movement, make sure the saw is on a firm, level surface, properly secured to prevent rocking. Make sure there is adequate space for operations. Bolt the saw to a support surface to prevent slipping or sliding during operation.
2. Turn off and unplug the saw before moving it.
3. Use the correct size and style of blade.
4. Make sure the blade teeth point down and toward the table.
5. Blade guide, supports, bearings, and blade tension must be properly adjusted to avoid accidental blade contact and to minimize blade breakage. To maximize blade support, always adjust the upper blade guide and blade guard so that it barely clears the workpiece.
6. Table TILT lock handle should be tight and locked during operation.
7. Use extra caution with very large, very small, or awkwardly-shaped workpieces.
8. Use extra supports to prevent workpieces from sliding off the tabletop.
9. Workpieces should be secured so they don't twist, rock, or slip while being cut.
10. Plan intricate or small work carefully to avoid pinching the blade. Avoid awkward operations and hand positions to prevent accidental contact with the blade.

SPECIFIC RULES FOR BAND SAW

11. Small pieces should be secured with clamps or fixtures. Do not hold small pieces with your hand because your fingers might go under the blade guard.
12. Support round work properly (use a V block or press it against the miter gauge) to prevent it from rolling and the blade from biting.
13. Cut only one workpiece at a time. Make sure the table is clear of everything except the workpiece and its guides before you turn the saw on.
14. Always **WATCH** the saw run before each use. If there is excessive vibration or unusual noise, stop immediately. Turn the saw off. Unplug it immediately. Do not start the saw again until the problem has been located and corrected.
15. To free any jammed material, turn the switch off. Remove the switch key and unplug the saw. Wait for all moving parts to stop before removing the jammed material.
16. Don't leave the work area until all moving parts have stopped. Shut off the power to master switches. Remove the switch key from the band saw and store it in a safe place, away from children. Childproof the workshop!

ELECTRICAL INFORMATION

GROUNDING INSTRUCTIONS

IN THE EVENT OF A MALFUNCTION OR BREAKDOWN, grounding provides the path of least resistance for an electric current and reduces the risk of electric shock. This tool is equipped with an electric cord that has an equipment grounding conductor and a grounding plug. The plug **MUST** be plugged into a matching outlet that is properly installed and grounded in accordance with **ALL** local codes and ordinances.

DO NOT MODIFY THE PLUG PROVIDED. If it will not fit the outlet, have the proper outlet installed by a licensed electrician.

IMPROPER CONNECTION of the equipment grounding conductor can result in electric shock. The conductor with the green insulation (with or without yellow stripes) is the equipment grounding conductor. If repair or replacement of the electric cord or plug is necessary, **DO NOT** connect the equipment grounding conductor to a live terminal.

CHECK with a licensed electrician or service personnel if you do not completely understand the grounding instructions or whether the tool is properly grounded.

USE ONLY THREE-WIRE EXTENSION CORDS that have three-pronged plugs and outlets that accept the tool's plug as shown in Fig. A. Repair or replace a damaged or worn cord immediately.

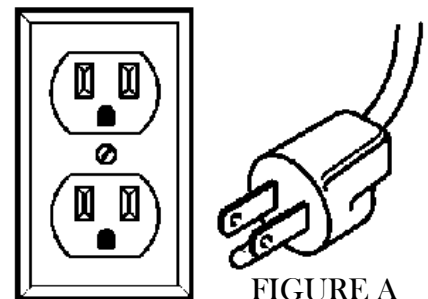


FIGURE A

CAUTION: In all cases, make certain the outlet in question is properly grounded. If you are not sure, have a licensed electrician check the outlet.

ELECTRICAL INFORMATION

WARNING: This tool is for indoor use only. Do not expose to rain or use in damp locations.

UL GUIDELINES AND RECOMMENDATIONS FOR EXTENSION CORDS

Make sure your extension cord is in good condition. When using an extension cord, be sure to use one heavy enough to carry the current your product will draw. An undersized cord will cause a drop in line voltage resulting in loss of power and overheating. The table below shows the correct size to be used according to cord length and nameplate ampere rating. When in doubt, use a heavier cord. The smaller the gauge number, the heavier the cord.

AMPERAGE	REQUIRED GAUGE FOR EXTENSION CORDS			
	25 ft.	50 ft.	100 ft.	150 ft.
2.8 A	18 gauge	16 gauge	16 gauge	14 gauge

Make sure your extension cord is properly wired and in good condition. Always replace a damaged extension cord or have it repaired by a qualified person before using it.

Protect your extension cords from sharp objects, excessive heat and damp/wet areas.

Use a separate electrical circuit for your tools. This circuit must not be less than a #12 wire and should be protected with a 15 A time-delayed fuse. Before connecting the motor to the power line, make sure the switch is in the OFF position and the electric current is rated the same as the current stamped on the motor nameplate. Running at a lower voltage will damage the motor.

WARNING: This tool must be grounded while in use to protect the operator from electric shock.

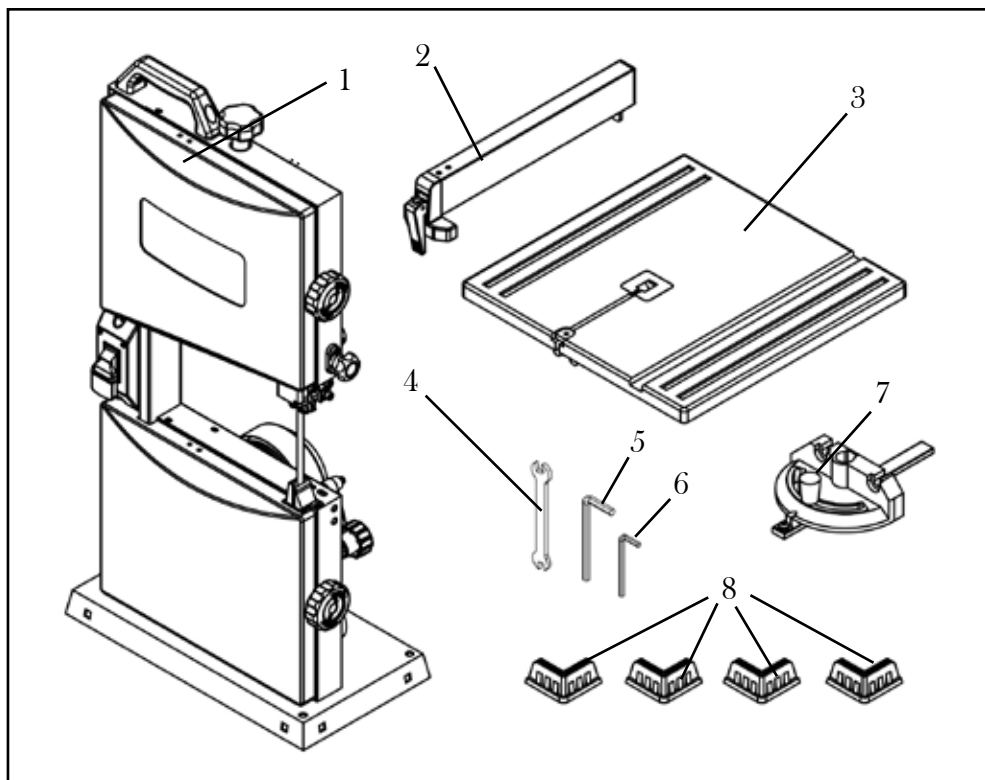
ASSEMBLY

UNPACKING

Carefully unpack the band saw and all its parts, and compare against the list below. Do not discard the carton or any packaging until the band saw is completely assembled.



WARNING: If any part is missing or damaged, do not plug in the band saw until the missing or damaged part is replaced.



1. Band Saw (1)
2. Fence (1)
3. Table Assembly (1)
4. Open Spanner (1)
5. 6mm Hex Wrench (1)
6. 4mm Hex Wrench (1)
7. Miter Gauge (1)
8. Feet (4)

WARNING: For your own safety, read the instruction manual before operating the band saw.

1. Wear eye protection.
2. Do not wear gloves, a necktie, jewelry, or loose clothing.
3. Make sure the saw is on a firm, level surface and properly secured.
4. Use only the recommended accessories.
5. Use extra caution with very large, very small, or awkward workpieces.
6. Keep hands away from blade at all times to prevent accidental injury.

ASSEMBLY

WARNING: Unplug the machine from the power source before assembling or making adjustments. Failure to comply may cause serious injury. Assembly requires at least two people to safely move around the band saw.

HOW TO ASSEMBLE

1. Attach the four feet to the base of the band saw (Fig. A).
2. Remove the D-nut (Fig. B - 1), washers (Fig. B - 2) and wing screw (Fig. B - 3) from the saw's table assembly (Fig. B).
3. Slide the saw table onto the band saw (Fig. C), making sure that the blade stays within the slot. Pull the angle adjustment knob back (Fig. D - 2) and align the teeth on the saw blade's table bracket into the teeth on the angle adjustment knob. Release the knob.
4. Fit the pins on the frame into the slots of the table bracket (Fig. D - 3).
5. Assemble the flat washer and table lock handle (Fig. D - 1). Tighten the table assembly to the saw's frame by turning the table lock lever clockwise.
6. Fix the band saw to a workbench by using the four screws (not provided, Fig. E - 3) through the holes in the base of the band saw (Fig. E).
7. Place the fence (Fig. E - 1) and the miter gauge onto the table (Fig. E - 2).

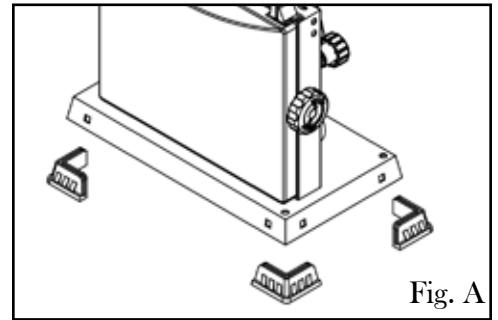


Fig. A

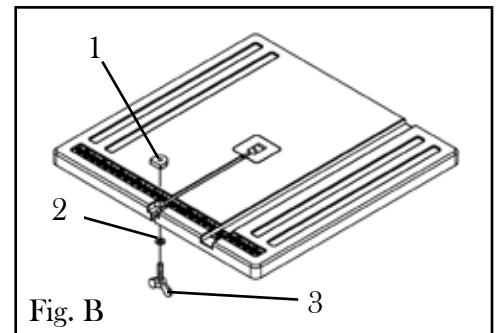


Fig. B

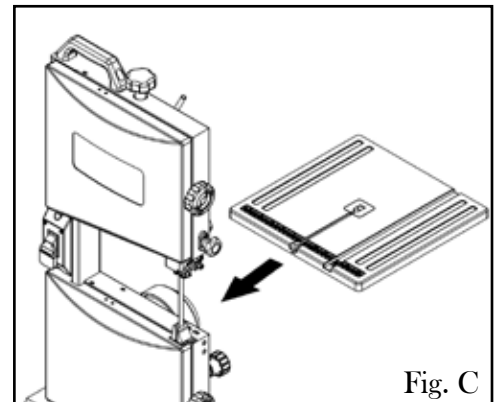


Fig. C

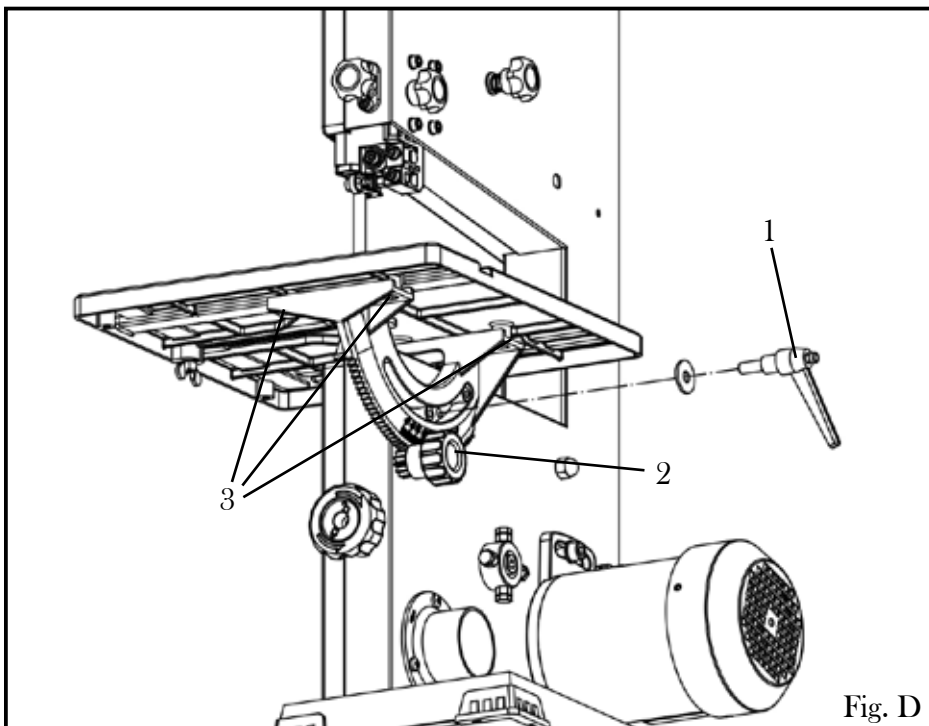


Fig. D

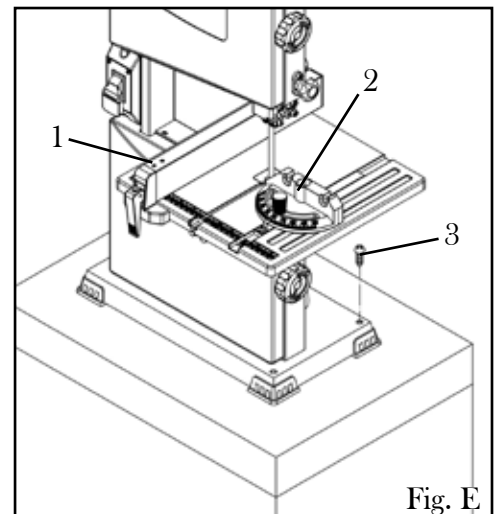


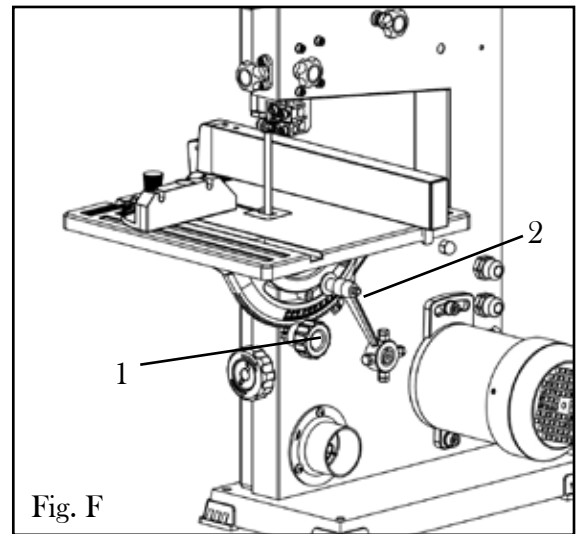
Fig. E

ADJUSTMENTS

WARNING: Always be sure that the tool is switched off and unplugged before making any adjustments.

TILTING THE TABLE

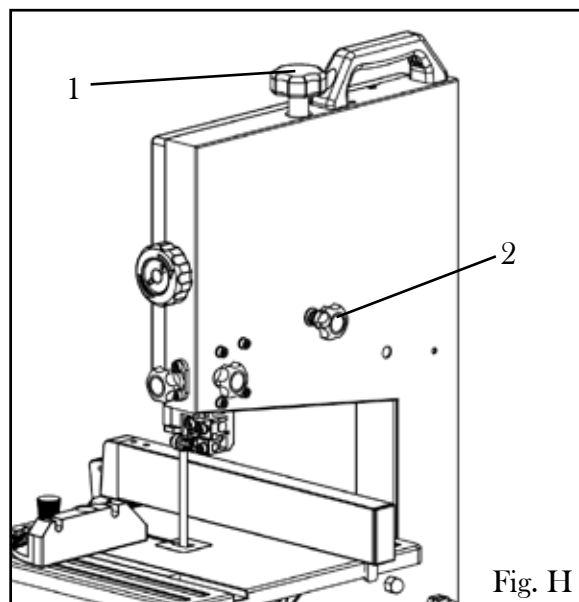
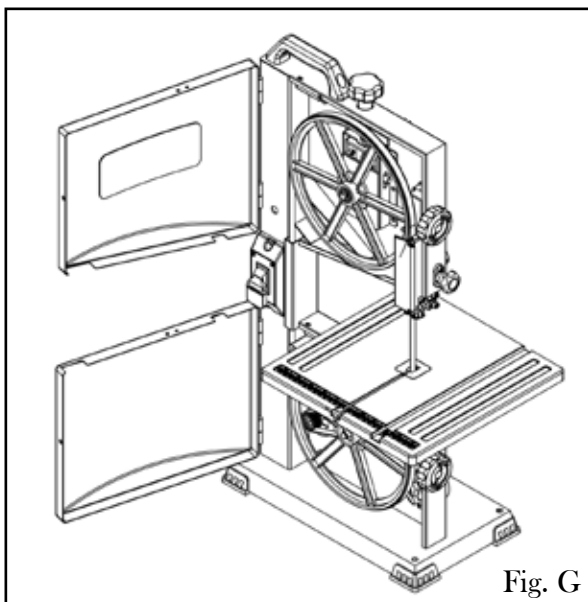
1. Find and loosen the table bevel lock located in back under the saw table (Fig. F - 2).
2. Adjust the table to the desired angle using the table tilting knob (Fig. F - 1) and the angle indicator.
3. Use the angle indicator to confirm the desired angle and tighten the lock handle (NOTE: a table perpendicular (90°) to the blade corresponds to a scale indication of 0°).



ADJUSTING THE SAW BLADE

If the blade does not run in the middle of the rubber tire band, the tracking needs to be corrected by adjusting the tilt of the upper band saw wheel.

1. Turn off the band saw and unplug it from the power supply. Open both the upper and lower wheel covers once the blade has stopped moving (Fig. G).
2. Manually rotate the upper wheel, making sure not to touch the blade. Watch to see which direction the blade tends to veer off towards in order to best adjust the tracking set knob to resolve the problem.
3. Turn tracking set knob (Fig. H - 2) in the desired direction until the blade is centered over the upper and lower wheels.
4. Spin the wheel manually to ensure that the blade is now running in the center. Close the covers.



ADJUSTMENTS

ADJUSTING BLADE TENSION

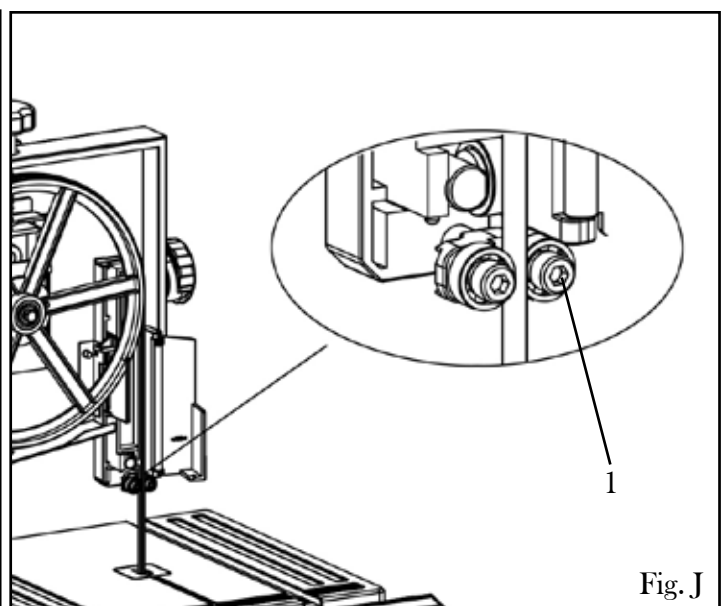
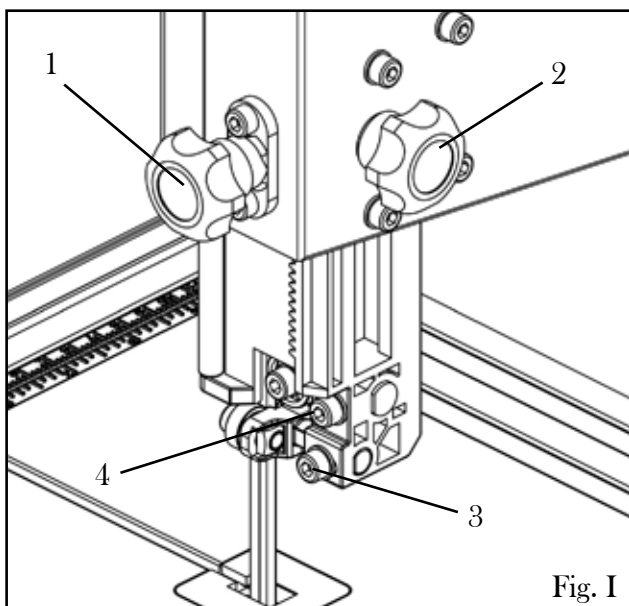
WARNING: If the tension in the blade is too high, it runs the risk of breaking. If the tension is too low, there is a risk of the blade slipping and stopping during a cut.

1. Raise the upper blade guide fully using the upper blade guide adjustment knob (Fig. I - 1).
2. Check the tension by pushing with a finger against the side of the blade halfway between the table and the upper guide. The blade should not flex more than 2 mm.
3. Turn the tension knob (Fig. H - 1) clockwise to increase the blade tension or counterclockwise to decrease tension. Take the blade width into consideration during the adjustment.

UPPER BLADE GUIDE ADJUSTMENT

The height of the upper blade guide should be adjusted prior to every operation to accommodate the height of the workpiece (the blade guard should be no more than one-eighth of an inch from the upper edge of the workpiece).

1. Loosen the upper blade guide locking knob located on the back of the drill press (Fig. I - 2). Turn the adjustment knob (Fig. I - 1) to adjust the height of the upper blade guide. Relock the upper blade guide locking knob to secure the guard in place once the desired height has been reached.
2. Loosen the lower screw (Fig. I - 3) to adjust the guide bearings running along either side of the band saw blade. The guide bearings should be positioned 1 to 2 mm from the teeth of the blade (Fig. K). Retighten the screw afterward.
3. Loosen the upper screw (Fig. I - 4) and adjust the thrust bearing running along the back of the blade (Fig. K). This bearing should be positioned 1/2 mm from the back of the blade. Retighten the screw afterward.
4. Loosen the socket head screw (Fig. J - 1) to adjust the guide bearings 1/4 mm away from the blade (Fig. L). Retighten the socket head screw.

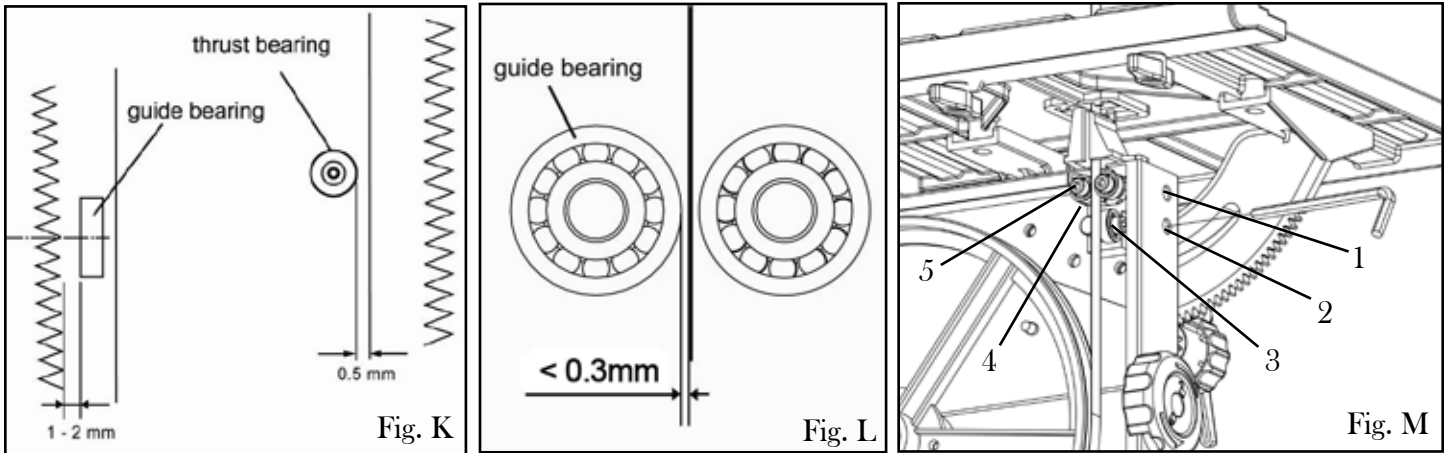


ADJUSTMENTS

LOWER BLADE GUIDE ADJUSTMENT

The lower blade guide needs to be readjusted after every band saw blade change or tracking adjustment.

1. Use a hex wrench to loosen the socket bolts in Holes 1 & 2 (Fig. M - 1, 2). Adjust the guide block (Fig. M - 4) and thrust bearing (Fig. M - 3) in the same manner that you adjusted the upper blade guide.
2. Loosen Screw 1 (Fig. M - 5) and adjust the guide bearing to a position of 1/4 mm away from the blade. Retighten Screw 1 (Fig. M - 5).



CHANGING THE BAND SAW BLADE

WARNING: Saw blades are dangerous. Be sure to always wear gloves while handling the blade or removing it from packaging.

1. Remove the D-nut (Fig. B - 1), washers (Fig. B - 2) and wing screw (Fig. B - 3) from the saw's table assembly (Fig. B).
2. Open the upper and lower blade covers (Fig. G).
3. Set the upper blade guide to its lowest position, minimizing the space between the bottom of the upper blade guide and the table assembly.
4. Open the cover of the upper guide assembly
5. Loosen the tension knob (Fig. H - 1) until you can remove the blade from the machine.
6. Fit the fresh blade in the center of the rubber tires of the band saw wheels. Retighten the tension knob (Fig. H - 1).
7. Replace the D-nut (Fig. B - 1), washers (Fig. B - 2) and wing screw (Fig. B - 3) from the saw's table assembly (Fig. B).
8. Close the upper and lower covers along with the cover of the upper guide assembly.
9. Adjust the alignment of the blade, the blade tension, and the upper and lower blade guides as needed.

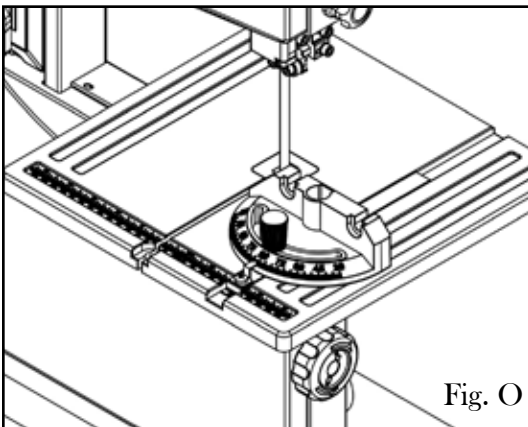
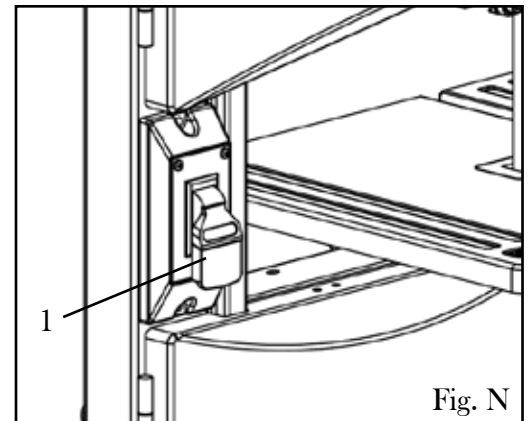
OPERATION

SUGGESTIONS AND WARNINGS:

- Do not touch the saw blade when cutting.
- During saw operation, wear safety glasses but do not wear gloves.
- Cut only one workpiece at a time.
- Always hold the workpiece down on the table.
- Do not jam any workpieces.
- Do not try to slow the blade down by pushing the work piece against the saw blade from the side.
- When straight cutting against the fence, use a push stick.
- Use a work support when cutting long stock to avoid pieces from falling down after the cut has been completed.
- Use a dust collector to minimize sawdust.
- When cutting round stock, make sure the piece is as secure as possible.
- Before starting, check that the saw blade and the upper and lower blade guides are in proper working order.
- Replace damaged parts immediately.
- Assume the correct working position (the blade's teeth should be pointing towards the operator).
- Take all necessary precautions to avoid kickback during operation.

ON/OFF SWITCH

1. To turn the saw ON, move the switch to the up position (Fig. N - 1).
2. To turn the saw OFF, move the switch to the down (OFF) position.
3. To lock the switch in the OFF position:
 - A) Wait until the band saw has come to a complete stop.
 - B) Remove the safety key from the switch housing. Store the safety key in a safe place.
4. To unlock the switch and turn the saw ON, insert the safety key into the switch, and move the switch to the ON position.

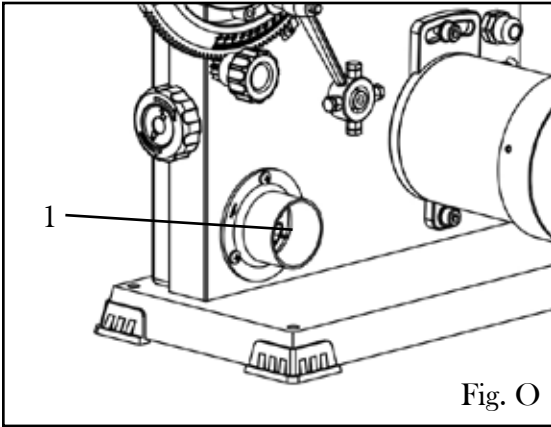


USING THE MITER GAUGE

1. Place the miter gauge into the slot on the table. (Fig. O)
2. Loosen the knob on the gauge to set a new miter angle (between 0 and 60 degrees).
3. Tighten the knob firmly before cutting begins.

NOTE: A 0° cut is a straight cut that is perpendicular to the blade.

OPERATION



GENERAL CUTTING

WARNING: Operating a band saw involves a certain amount of hazard. Read the instructions and plan your work before cutting a workpiece.

1. Use scrap lumber to check the settings and to get the feel of operating the band saw before attempting regular work.
2. Do not turn the power on until all adjustments have been made. Check to make sure the upper and lower guard are in place. Always

keep the upper blade guard close to your work, approximately 1/8 of an inch above the workpiece.

3. Do not force the workpiece against the blade. Light contact permits easier cutting and prevents unwanted friction and heating of the blade. Sharp saw blades need little pressure for cutting. Steadily move the workpiece against the blade without forcing it.

4. It is recommended that a dust collector be connected to the 2-inch dust port when sawing wood (Fig. O - 1).

5. Use the band saw for straight line operations such as cross-cutting, ripping, miter cutting, beveling, compound cutting, and resawing.

6. To avoid twisting the blade, do not turn sharp corners; instead, saw around corners. A band saw is basically a “curve-cutting” saw. It is not capable of doing intricate inside cutting as can be done with a scroll saw.

WARNING: Do not use this band saw to cut ferrous metals.

CIRCLE CUTTING GUIDE

BLADE WIDTH	1/8 in.	3/16 in.	1/4 in.	3/8 in.	1/2 in.	3/4 in.	1 in.
MINIMUM RADIUS	3/16 in.	5/16 in.	5/8 in.	1-1/2 in.	2-1/2 in.	5-1/2 in.	7 in.

MAINTENANCE



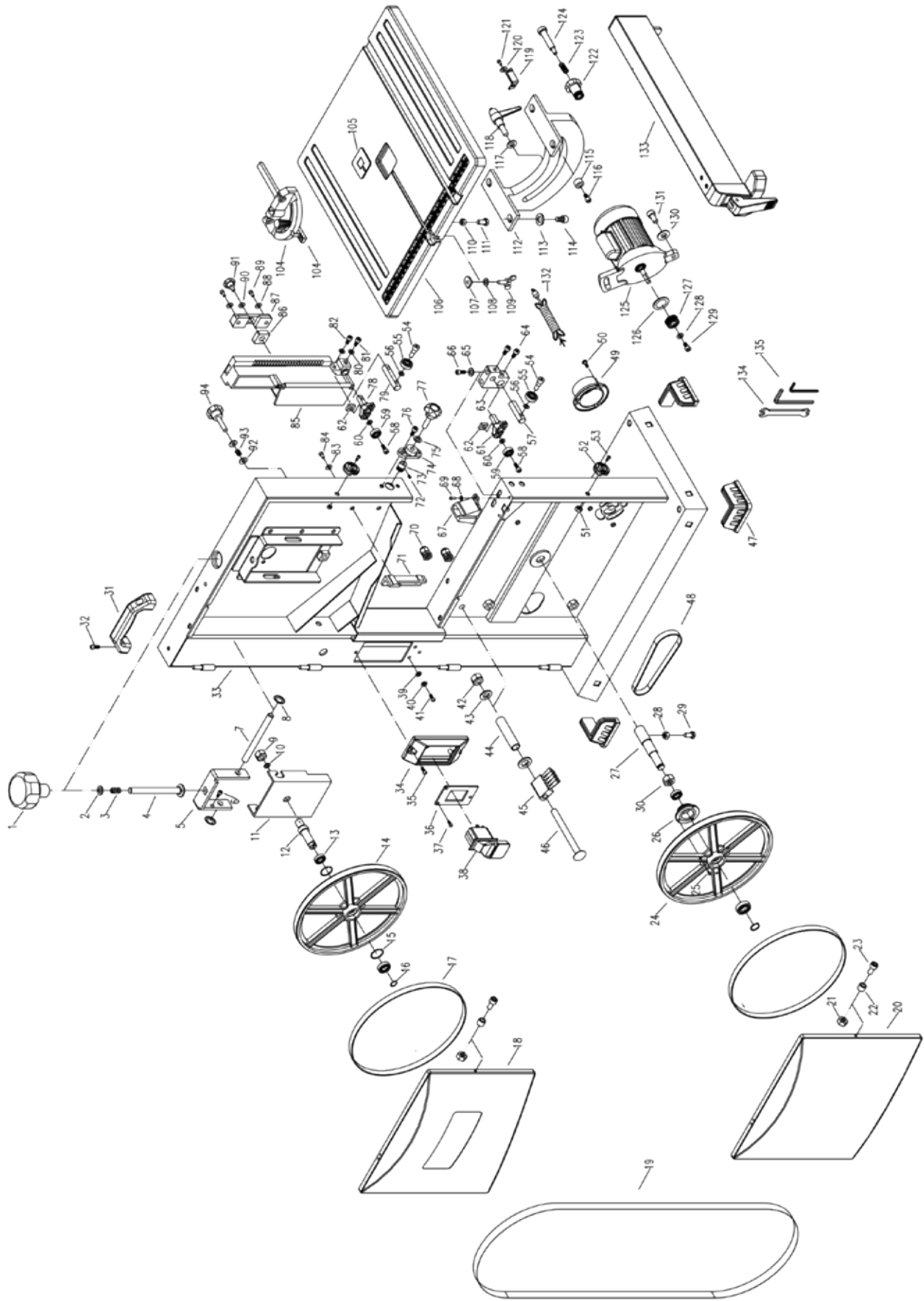
WARNING: For your own safety, turn the switch OFF and remove the plug from the electrical outlet before performing maintenance or lubricating the band saw.

1. Routinely remove the sawdust from the inside of the housing. Blow out the sawdust from the motor.
2. Clean off the pitch which accumulates on the table, blade guides, and bearings.
3. Remove pitch and dust from the upper and lower wheels using a stiff brush. Do not use solvents.
4. Apply a thin coat of automotive polish to the table top for a slick surface.
5. Replace blades and the wheel tires when worn.



WARNING: Replace the power cord immediately if it is worn, cut, or damaged in any way.

EXPLODED VIEW & PARTS LIST



EXPLODED VIEW & PARTS LIST

NO.	PART	DESCRIPTION	QTY
1	3939-001	Blade Tension Knob	1
2	3939-002	Flat Washer	1
3	3939-003	Blade Tension Spring	1
4	3939-004	Carriage Bolt	1
5	3939-005	Pulling Plate	1
6	3939-006	Socket Head Screw	1
7	3939-007	Shaft	1
8	3939-008	Lock Catch	2
9	3939-009	Hex Nut	1
10	3939-010	Lock Washer	1
11	3939-011	Bevel Support Plate	1
12	3939-012	Upper Wheel Shaft	1
13	3939-013	Ball Bearing (6000ZZ)	4
14	3939-014	Upper Wheel	1
15	3939-015	Int. Retaining Ring	4
16	3939-016	Ext. Retaining Ring	2
17	3939-017	Tire	2
18	3939-018	Upper Wheel Cover	1
19	3939-019	Blade	1
20	3939-020	Lower Wheel Cover	1
21	3939-021	Lock Nut	2
22	3939-022	Bushing	2
23	3939-023	Socket Head Screw	2
24	3939-024	Lower Wheel	1
25	3939-025	Thread Forming Screw	3
26	3939-026	Drive Pulley	1
27	3939-027	Lower Wheel Shaft	1
28	3939-028	Hex Nut	4
29	3939-029	Hex Bolt	4
30	3939-030	Lock Nut	1
31	3939-031	Lifting Handle	1
32	3939-032	Pan Head Screw	2
33	3939-033	Frame	1
34	3939-034	Switch Box	1
35	3939-035	Pan Head Screw	2
36	3939-036	Switch Mounting Plate	1
37	3939-037	Thread Forming Screw	1
38	3939-038	Switch	1
39	3939-039	Lock Washer	2
40	3939-040	Serrated Washer	2
41	3939-041	Pan Head Screw	2
42	3939-042	Hex Nut	1
43	3939-043	Flat Washer	2
44	3939-044	Bushing	1
45	3939-045	Brush	1

NO.	PART	DESCRIPTION	QTY
46	3939-046	Carriage Blot	1
47	3939-047	Foot	4
48	3939-048	Belt	1
49	3939-049	Dust Port	1
50	3939-050	Pan Head Screw	3
51	3939-051	Lock Nut	2
52	3939-052	Catching Knob	2
53	3939-053	Socket Head Screw	2
54	3939-054	Socket Head Screw	2
55	3939-055	Ball Bearing (606ZZ)	2
56	3939-056	Flat Washer	2
57	3939-057	Support Rod	1
58	3939-058	Socket Head Screw	4
59	3939-059	Ball Bearing (605ZZ)	4
60	3939-060	Flat Washer	4
61	3939-061	Lower Guide Block	1
62	3939-062	Square Nut	4
63	3939-063	Support Block	1
64	3939-064	Socket Head Screw	2
65	3939-065	Flat Washer	2
66	3939-066	Socket Head Screw	2
67	3939-067	Lower Protecting Cover	1
68	3939-068	Flat Washer	2
69	3939-069	Pan Head Screw	2
70	3939-070	Strain Relief	2
71	3939-071	Guide Plate	1
72	3939-072	Set Screw	1
73	3939-073	Pinion	1
74	3939-074	Adjustment Knob Seat	1
75	3939-075	Flat Washer	1
76	3939-076	Socket Head Screw	2
77	3939-077	Adjustment Knob	1
78	3939-078	Upper Guide Block	1
79	3939-079	Support Rod	1
80	3939-080	Flat Washer	2
81	3939-081	Socket Head Screw	1
82	3939-082	Socket Head Screw	1
83	3939-083	Flat Washer	2
84	3939-084	Socket Head Screw	2
85	3939-085	Upper Cover Assembly	1
86	3939-086	Square Nut	1
87	3939-087	Guide Block	1
88	3939-088	Flat Washer	2
89	3939-089	Socket Head Screw	2
90	3939-090	Flat Washer 8mm	1

EXPLODED VIEW & PARTS LIST

NO.	PART	DESCRIPTION	QTY
91	3939-091	Locking Knob	1
92	3939-092	Flat Washer 8mm	2
93	3939-093	Spring	1
94	3939-094	Tracking Knob	1
104	3939-104	Miter Gauge Assembly	1
105	3939-105	Table Insert	1
106	3939-106	Table	1
107	3939-107	D Nut	1
108	3939-108	Flat Washer	1
109	3939-109	Wing Screw	1
110	3939-110	Hex Nut	1
111	3939-111	Hex Bolt	1
112	3939-112	Bevel Case	1
113	3939-113	Flat Washer	4
114	3939-114	Socket Head Screw	4
115	3939-115	Guide Bushing	2
116	3939-116	Socket Head Screw	2
117	3939-117	Flat Washer	1
118	3939-118	Locking Handle	1
119	3939-119	Pointer	1
120	3939-120	Flat Washer	1
121	3939-121	Pan Head Screw	1
122	3939-122	Table Adjusting Handle	1
123	3939-123	Spring	1
124	3939-124	Bolt	1
125	3939-125	Motor	1
126	3939-126	Sponge Ring	1
127	3939-127	Motor Pully	1
128	3939-128	Flat Washer	1
129	3939-129	Socket Head Screw	1
130	3939-130	Flat Washer 8mm	2
131	3939-131	Socket Head Screw	2
132	3939-132	Power Cord	1
133	3939-133	Fence Assembly	1
134	3939-134	Open Spanner	1
135	3939-135	Hex Wrench	2

LIMITED TWO YEAR WARRANTY

WEN Products is committed to build tools that are dependable for years. Our warranties are consistent with this commitment and our dedication to quality.

LIMITED WARRANTY OF WEN CONSUMER POWER TOOLS PRODUCTS FOR HOME USE
GREAT LAKES TECHNOLOGIES, LLC (“Seller”) warrants to the original purchaser only, that all WEN consumer power tools will be free from defects in material or workmanship for a period of two (2) years from date of purchase. Ninety days for all WEN products, if the tool is used for professional use.

SELLER’S SOLE OBLIGATION AND YOUR EXCLUSIVE REMEDY under this Limited Warranty and, to the extent permitted by law, any warranty or condition implied by law, shall be the repair or replacement of parts, without charge, which are defective in material or workmanship and which have not been misused, carelessly handled, or misrepaired by persons other than Seller or Authorized Service Center. To make a claim under this Limited Warranty, you must make sure to keep a copy of your proof of purchase that clearly defines the Date of Purchase (month and year) and the Place of Purchase. Place of purchase must be a direct vendor of Great Lakes Technologies, LLC. Third party vendors such as garage sales, pawn shops, resale shops, or any other secondhand merchant void the warranty included with this product. Contact techsupport@wenproducts.com or 1-800-232-1195 to make arrangements for repairs and transportation.

When returning a product for warranty service, the shipping charges must be prepaid by the purchaser. The product must be shipped in its original container (or an equivalent), properly packed to withstand the hazards of shipment. The product must be fully insured with a copy of the warranty card and/or the proof of purchase enclosed. There must also be a description of the problem in order to help our repairs department diagnose and fix the issue. Repairs will be made and the product will be returned and shipped back to the purchaser at no charge.

THIS LIMITED WARRANTY DOES NOT APPLY TO ACCESSORY ITEMS THAT WEAR OUT FROM REGULAR USAGE OVER TIME INCLUDING BELTS, BRUSHES, BLADES, ETC.
ANY IMPLIED WARRANTIES SHALL BE LIMITED IN DURATION TO ONE (1) YEAR FROM DATE OF PURCHASE. SOME STATES IN THE U.S., SOME CANADIAN PROVINCES DO NOT ALLOW LIMITATIONS ON HOW LONG AN IMPLIED WARRANTY LASTS, SO THE ABOVE LIMITATION MAY NOT APPLY TO YOU.

IN NO EVENT SHALL SELLER BE LIABLE FOR ANY INCIDENTAL OR CONSEQUENTIAL DAMAGES (INCLUDING BUT NOT LIMITED TO LIABILITY FOR LOSS OF PROFITS) ARISING FROM THE SALE OR USE OF THIS PRODUCT. SOME STATES IN THE U.S. AND SOME CANADIAN PROVINCES DO NOT ALLOW THE EXCLUSION OR LIMITATION OF INCIDENTAL OR CONSEQUENTIAL DAMAGES, SO THE ABOVE LIMITATION OR EXCLUSION MAY NOT APPLY TO YOU.

THIS LIMITED WARRANTY GIVES YOU SPECIFIC LEGAL RIGHTS, AND YOU MAY ALSO HAVE OTHER RIGHTS WHICH VARY FROM STATE TO STATE IN THE U.S., PROVINCE TO PROVINCE IN CANADA AND FROM COUNTRY TO COUNTRY.

THIS LIMITED WARRANTY APPLIES ONLY TO PORTABLE ELECTRIC TOOLS, BENCH POWER TOOLS, OUTDOOR POWER EQUIPMENT AND PNEUMATIC TOOLS SOLD WITHIN THE UNITED STATES OF AMERICA, CANADA AND THE COMMONWEALTH OF PUERTO RICO. FOR WARRANTY COVERAGE WITHIN OTHER COUNTRIES, CONTACT THE WEN CUSTOMER SUPPORT LINE.

**THANKS FOR
REMEMBERING**

