



# NUN-CHUCK™ BATTERY PACK W/ REMOTE

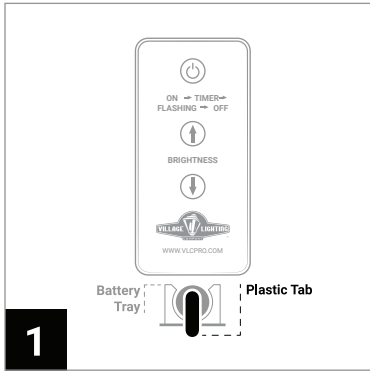
MODEL #: V-20730

IMPORTANT, RETAIN FOR FUTURE REFERENCE: READ CAREFULLY

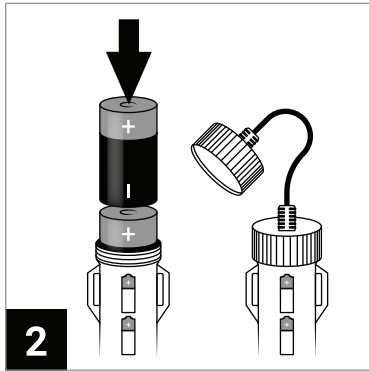
For assistance with assembly, replacement parts or to activate your warranty:  
www.VillageLighting.com | Support@VillageLighting.com

2018 All Rights Reserved © Property of Village Lighting Co. | Intended for indoor use

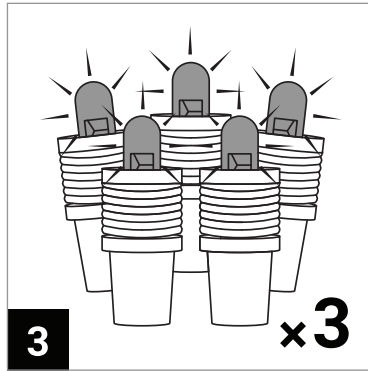
## GETTING STARTED WITH YOUR NEW GREENERY



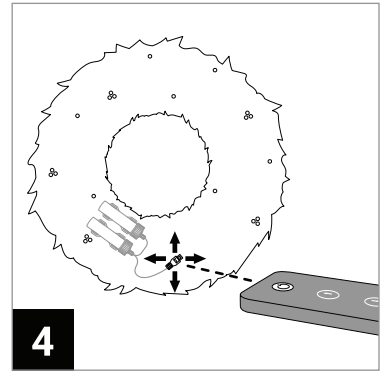
**1** Remove the plastic tab from the remote



**2** Add four new D size batteries to the battery pack



**3** Lights will flash three times once batteries are inserted



**4** Adjust sensor to be visible. Point remote directly at sensor

Press 1 x:  
Lights ON

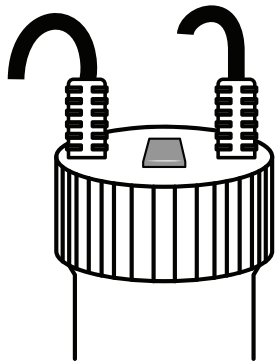
**BUTTON**

Press 2 x:  
Timer Mode  
*ON 6 hours • OFF 18 hours  
Lights flash x3 when activated*

Press 3 x:  
Flashing Lights  
*Lights Flash On and off repeatedly*

Press 4 x:  
Lights OFF

If Button LED is OFF  
Power / System is OFF



**REMOTE**

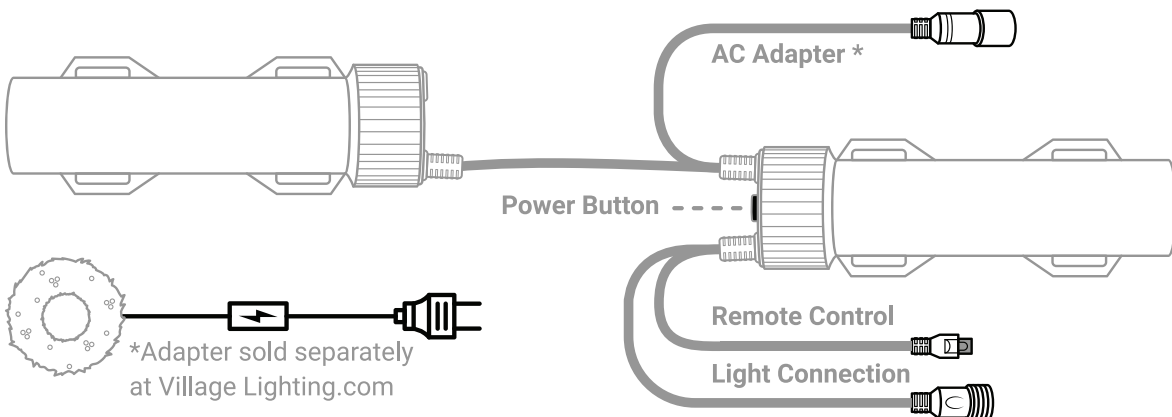
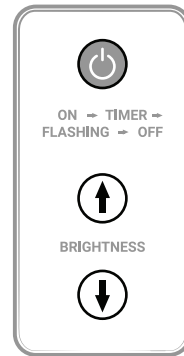
Press 1 x:  
Lights ON

Press 2 x:  
Timer Mode  
*ON 6 hours • OFF 18 hours  
Lights flash x3 when activated*

Press 3 x:  
Flashing Lights  
*Lights Flash On and off repeatedly*

Press 4 x:  
Lights OFF

**Bulb Brightness**  
*The lower the light, the longer the battery life and vice-versa*



\*Adapter sold separately at Village Lighting.com