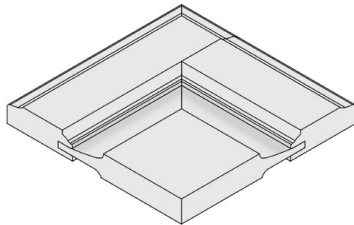


HAMPTON BAY®

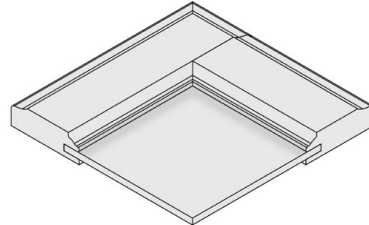
MEASURE GUIDE

UNFINISHED CABINET DOORS AND DRAWER FRONTS



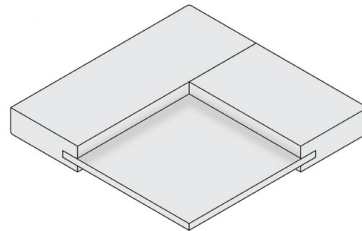
Raised Panel

- Square
- Arch
- Cathedral



Profiled Recessed Panel

- Square
- Arch
- Cathedral



Shaker Recessed Panel

Questions, problems, missing parts? Before returning to the store,
call Hampton Bay Customer Service
8 a.m. – 7 p.m., EST, Monday – Friday, 9 a.m. – 6 p.m., EST, Saturday

1-855-HD-HAMPTON

HAMPTONBAY.COM

THANK YOU

We appreciate the trust and confidence you have placed in Hampton Bay through the purchase of Unfinished Wood Doors and Drawer Fronts. We strive to continually create quality products designed to enhance your home. Visit us online to see our full line of products available for your home improvement needs. Thank you for choosing Hampton Bay!


Table of Contents

Table of Contents.....	2	Pre-installation	3
Safety Information	2	Tools required	3
Warranty.....	2	Pre-Order Measuring.....	4
What is Covered.....	2	Maintenance.....	6
What is Not Covered	2	Care and Cleaning.....	6

Safety Information

GUIDELINES

1. Read all measure and installation instructions before starting your project.
2. Review the list of tools and understand how to properly operate all tools before use.
3. Always wear protective eyewear.

WARNING: WOOD DUST WARNING
 This product can expose you to chemicals including wood dust, which are known to the State of California to cause cancer. For more information go to www.P65Warning.ca.gov.

NOTICE: EPA TSCA TITLE VI
Products are compliant with EPA TSCA Title VI regulations for formaldehyde emissions.

Warranty

UNFINISHED DOOR AND DRAWER FRONT WARRANTY

WHAT IS COVERED

Product is warrantied against warpage, swelling, twisting, or cracking for one year, when given reasonable treatment. Reasonable treatment requires that doors and drawer fronts:

- Be stored in areas not subject to abnormal heat, cold, dryness, humidity, or direct sunlight.
- Not be subject to extreme moisture (bleaching finishing technique, etc.)
- Not be subject to impairment of structural strength when fitting or applying hardware.
- Unfinished, product should be finished on front, back, top, bottom, and sides with an equal amount of finish, as soon as possible, to aid in the prevention of unequal absorption or release of moisture. This is particularly important with Maple product as it is prone to moisture absorption, especially in areas with humid conditions and in the winter.

WHAT IS NOT COVERED

- A warp or twist of 3/16 of an inch or less is not considered a defect. Twists are measured by placing the face of the door against a true plane surface.
- The use of finishes that are old or that have not been mixed correctly (too much water content in both water or lacquer-based finishes) may cause uneven finish when applied to areas with putty and cannot be warrantied.
- Individual wood staves in raised wood panels naturally expand and contract, potentially causing hairline cracks where the wood panel meets the wood frame. Development of offsets from one wood stave to another can also appear. These natural movement in wood panels are not considered defects, thus are not warrantied when painted. Medium Density Fiberboard (MDF) panels are recommended for all paintable products.
- Effort is taken to minimize natural characteristics (pitch pockets, pin knots, sugar and mineral streaks). Since they are a natural occurrence in wood products, they are not considered a manufacturing defect.
- Do not apply additional weight to the cabinet doors as it could exceed the weight limits of the cabinet hinges and cause damage.

Contact the Customer Service Team at 1-855-HD-HAMPTON or visit www.Hamptonbay.com.

Pre-installation

TOOLS REQUIRED



Tape Measure

SIZE GRID

Door Detail: Dimensions, Finger Pull

	Dimensions		Hinge Boring	Finger Groove	
	Width x Height		R/L/N	TB	N
1		X			
2		X			
3		X			
4		X			
5		X			
6		X			
7		X			
8		X			
9		X			
10		X			
11		X			
12		X			
13		X			
14		X			
15		X			

Drawer Fronts

	Dimensions		Finger Groove	
	Width x Height		TB	N
1		X		
2		X		
3		X		
4		X		
5		X		
6		X		
7		X		
8		X		
9		X		
10		X		
11		X		
12		X		
13		X		
14		X		
15		X		

Measure Key	
R	Right
L	Left
N	None
TB	Top & Bottom

Pre-Order Measuring

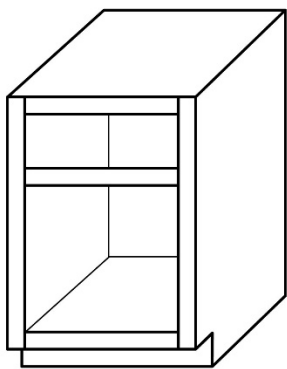
1 Determine Cabinet Type

Determine your cabinet type:

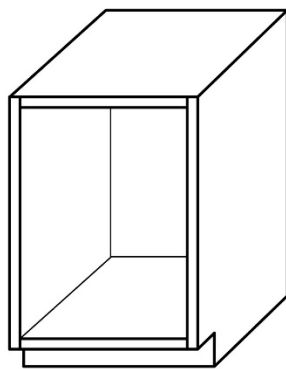
- (1) Framed and
- (2) Frameless

Framed cabinets are sometimes referred to as face-frame or traditional cabinets. They have a wood frame on the front, called a face frame. The face frame is usually constructed of 3/4" thick solid hardwood and is the same species as the cabinet doors. This frame contains both vertical members called "stiles" and horizontal members called "rails." All door hinges and drawer glides attach to the face frame. For measuring Framed Cabinets, go to Step 2.

Frameless cabinets are sometimes called full-overlay, or European cabinets. The side walls are typically 5/8", or 3/4" thick. Simply put, a frameless cabinet has no wood frame on the front of the cabinet. Door hinges are concealed and mounted to the inside of the cabinet wall. For 5/8" thick boxes, use a 1/2" overlay (add 1" to width and height). For measuring Frameless Cabinets, go to Step 3.



Framed



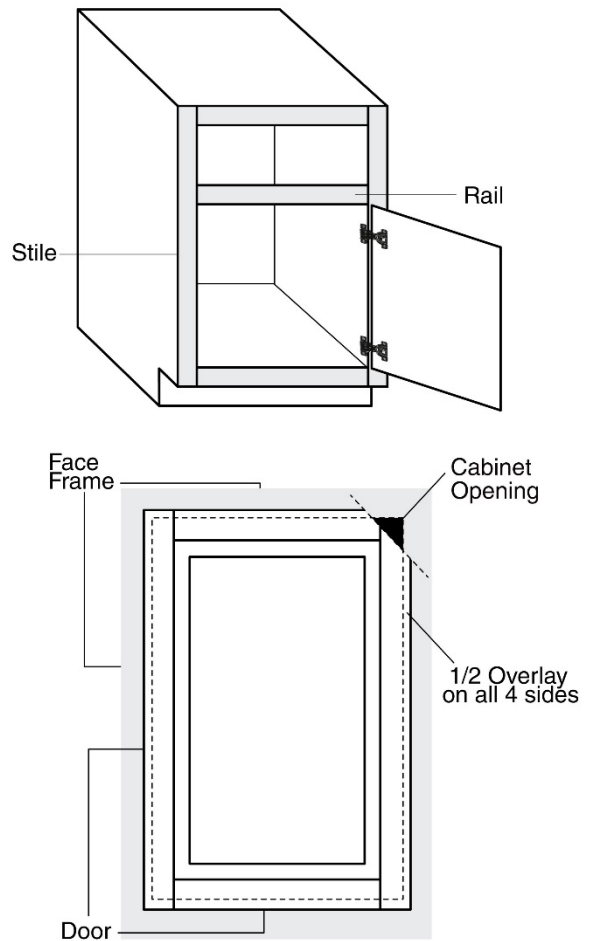
Frameless

2 Framed Cabinets

For framed cabinets, the standard "overlay" (size of frame that is covered by the door or drawer front) is 1/2".

If ordering hinges in the program, the hinge has a 1/2" overlay. To determine the door size, add the overlay all the way around the opening. For a typical 1/2" overlay, add 1" the opening width (1/2" to the left, and 1/2" to the right) and 1" to the height (1/2" to the top, and 1/2" to the bottom). Adding the overlay amount applies to doors and drawer fronts.

Note: Accurate measurements are crucial to a successful project. Measure the width and height, write it down, then measure again to confirm. You will need to calculate the exact size of the doors and drawer fronts in order to ensure successful installation.



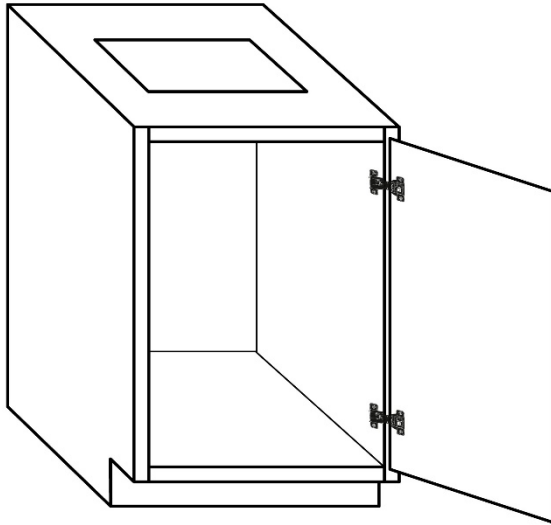
Pre-Order Measuring

3 Frameless Cabinets

Frameless cabinets can be measured one of two ways:

- 1) Measuring the existing doors. When measuring the existing doors, determine what your hinge overlay is and check for compatibility of available hinges.
- 2) Using the overlay method in Step 2 where 1" is added to the opening width and height.

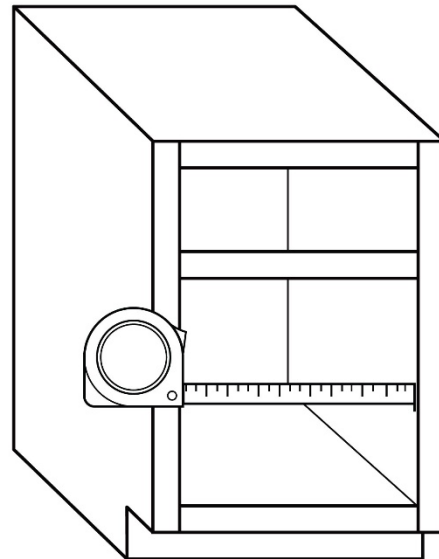
Note: Accurate measurements are crucial to a successful project. Measure the width and height, write it down, then measure again to confirm. You will need to calculate the exact size of the doors and drawer fronts in order to ensure successful installation.



4 Measuring for Doors and Drawer Fronts

Products are ordered in Width x Height format (inches), we recommend you measure the same way. To measure for doors, open the cabinet door, and place your tape measure to determine the cabinet opening size. For width, read the tape measure from the right edge of the left stile, to the left edge of the right stile. For height, read the tape measure from the bottom edge of the top rail, to the top edge of the bottom rail. Measure to the nearest 1/16" of an inch. Write these measurements down, then measure a second time to be sure.

When ordering for Framed Cabinets with the 1/2" overlay hinges, remember to add the 1" to the width and height as outlined in Step 2.

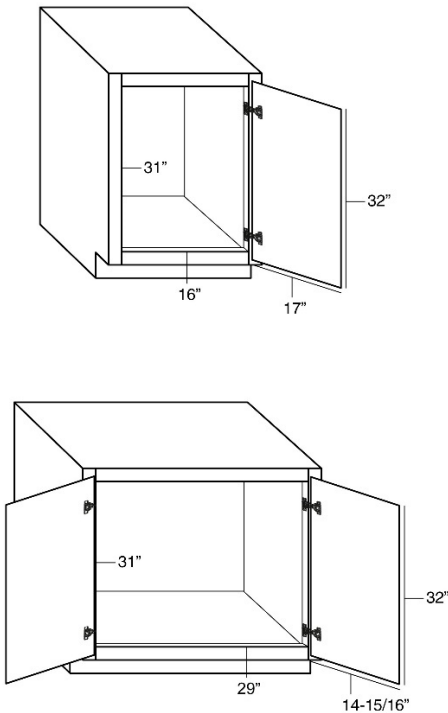


Pre-Order Measuring

5 Single Door and Double Doors

Some cabinets have 1 door per opening; 1 opening, 1 door. Others have 2 doors per opening; 1 opening, 2 doors.

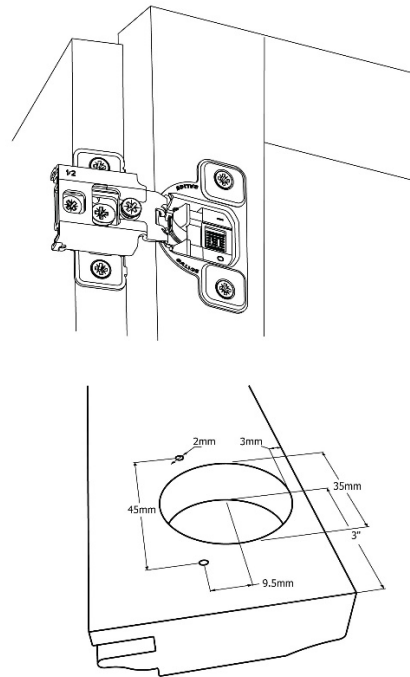
- For a single door with 1/2" overlay, add an inch to the width and height outlined in Step 2. Opening size: 16" x 31", Door size: 17" x 32".
- For double doors, add 1 inch to height as in Step 2. For width, add 1 inch to the opening width, divide by 2, then subtract 1/16" off each of the two doors for clearance: Opening size: 29 x 31 Door size (L): 14-15/16" x 32"; Door size (R): 14-15/16" x 32"



6 Door Hinge Boring

The hinges in our program are a concealed European style hinge. When boring is ordered, a 35mm recess hole is bored into the back of the door. The hinge is then placed into this recess and attached with screws during installation. The standard dimensions for this type of boring is 3 1/2" from the top or bottom of the door to the center of the bore hole. When using 1/2" overlay, this would mean that the bore is 3" up or down from the cabinet opening.

Doors can be ordered with boring and hinges or with boring only. If not ordering hinges from the program, ensure the bore pattern is compatible with your selected hinge.



Maintenance

Do not apply additional weight to the cabinet doors as it could exceed the weight limits of the cabinet hinges and cause damage.

Care and Cleaning

Follow all care and cleaning instructions for the finish you choose to apply.

HAMPTON BAY[®]

Questions, problems, missing parts? Before returning to the store,
call Hampton Bay Customer Service
8 a.m. – 7 p.m., EST, Monday – Friday, 9 a.m. – 6 p.m., EST, Saturday

1-855-HD-HAMPTON

WWW.HOMEDEPOT.COM/CUSTOMCABINETDOORS

Retain this manual for future use.