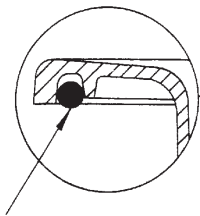


MUSTEE MODEL NO. 10 SELF RIMMING LAUNDRY TRAY

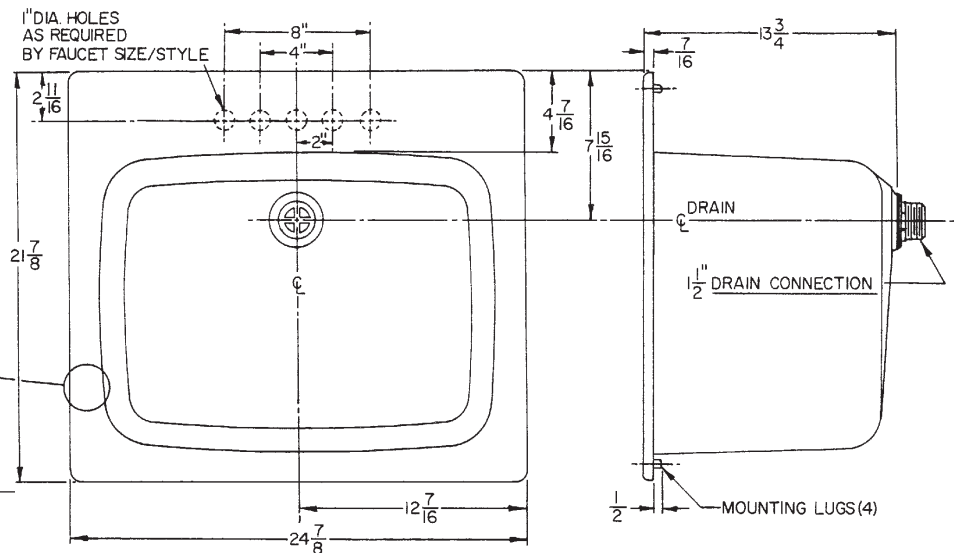
INSTALLATION INSTRUCTIONS

1. Determine location of **laundry tray**. This **laundry tray** is designed to fit into a standard 21" x 24" countertop cutout. See "Cutout Dimensions". Layout dimensions onto countertop, drill an access hole for the saber saw blade - approximately 1/2" diameter, cut inside lines - **CAUTION - do not exceed maximum dimensions**. Test fit **laundry tray** into opening.
2. The rear ledge of your **laundry tray** will accept many different faucets; 4" CenterSet on center, 4" CenterSet either right or left, 8" CenterSet on center. Depending on the model faucet you choose, the appropriate holes will have to be drilled. You will notice that there are five indented hole locators molded-in, on the underside of the rear ledge, do not cut out faucet holes until you have measured the actual faucet (some single lever faucets require a large center/supply hole and small diameter mounting holes). A 1" diameter, fine tooth hole saw with center drill pilot would normally be used for the majority of faucet hole drilling. Drill from underside of rear ledge to mark center, turn upright to finish cutting with hole saw. Install faucet.
3. Assemble drain to laundry tray using all washers provided. (see DRAIN ASSEMBLY illustration) - **CAUTION! - DO NOT USE ANY PUTTY OR THREAD SEALANT ON DRAIN BODY OR LOCKNUT.** Teflon® sealing tape is acceptable.
4. Install Mounting Stud into corner lug - (**HINT**: Apply a dab of siliconized sealant to threads to lubricate stud and ease installation.) **CAUTION! - DO NOT OVERTIGHTEN!!** A standard 5/16" socket or wrench is required. Screw stud into place until nut makes contact with bottom of lug - continue 1/4 turn maximum. Repeat this operation for each mounting lug.
5. Apply a bead of Siliconized Sealant* all around, approximately 3/8" diameter to the underside of the rim - see illustration. Set tray back into position, secure on underside with mounting plates and nuts provided. **CAUTION: Do not overtighten mounting nuts.** Wipe excess sealant from edge of rim.
6. Complete water supply and proper sanitary waste trap connections as specified by local code requirements.

*Siliconized Sealant such as:
CELULON™ Plumbing & HVAC
Adhesive Sealant by Red Devil®



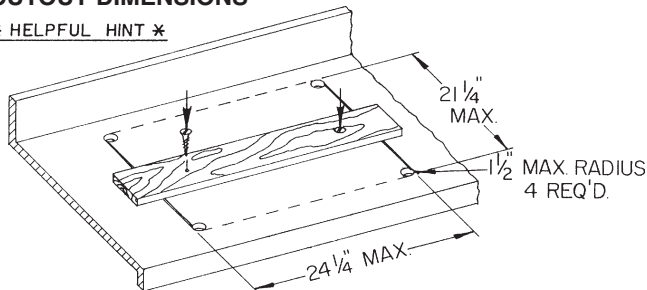
APPLY SILICONIZED SEALANT*
THIS AREA - ALL AROUND
UNDERSIDE OF RIM



FITS STANDARD 21" x 24" COUNTERTOP CUTOUT

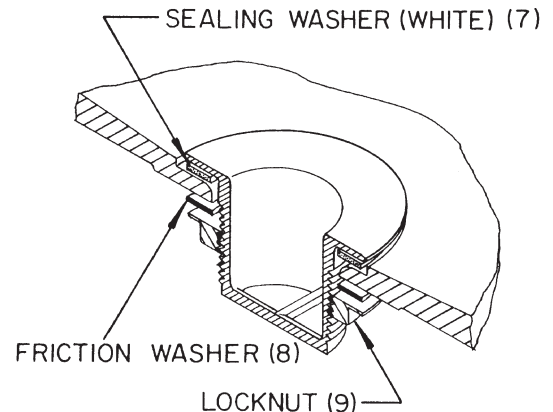
CUTOUT DIMENSIONS

* HELPFUL HINT *



After making cuts along sides of cutout, secure a board as shown to prevent cutout from possibly damaging countertop or prematurely dropping.

DRAIN ASSEMBLY



CAUTION! - DO NOT USE ANY PUTTY OR THREAD SEALANT!

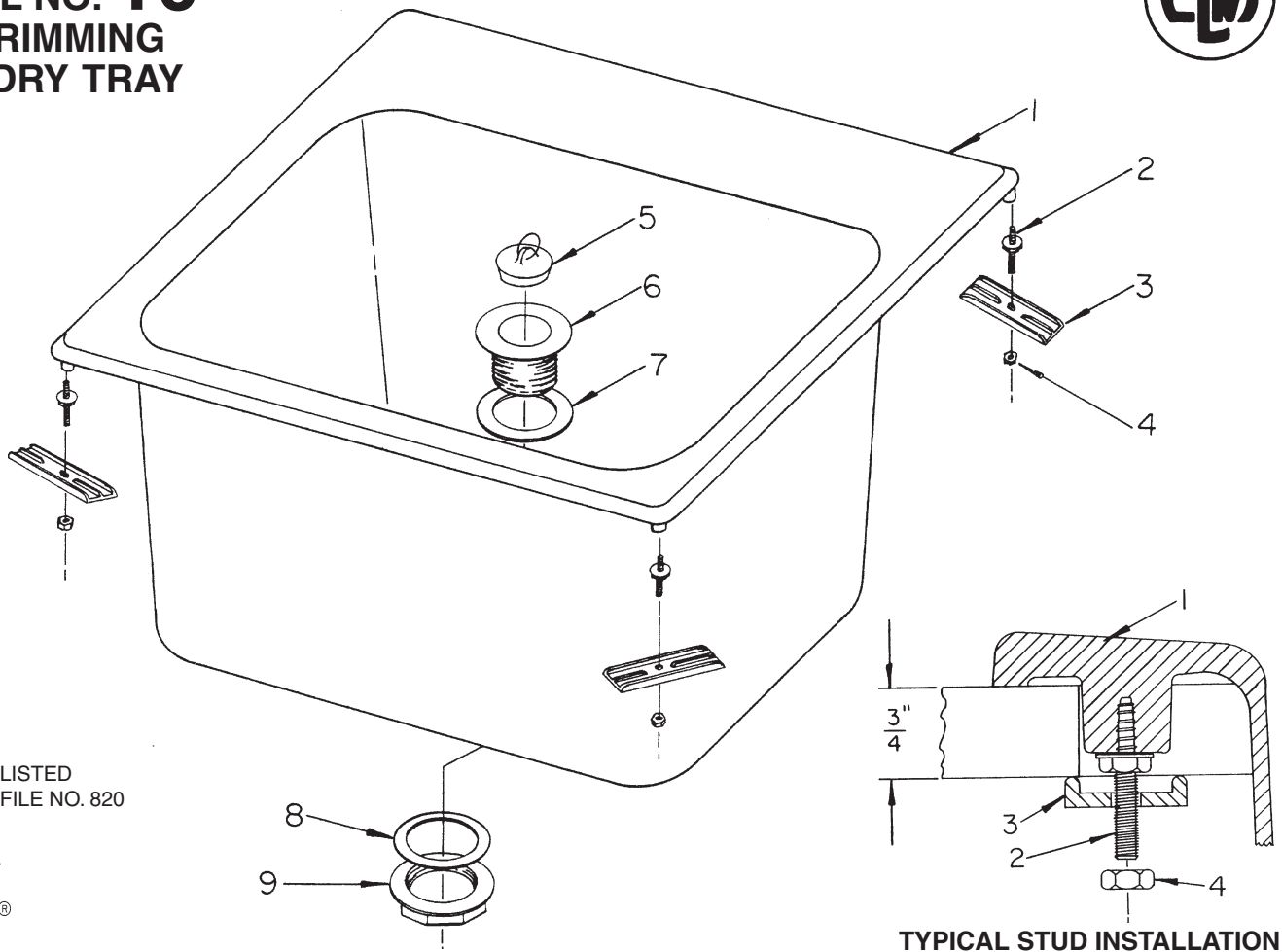
E.L. MUSTEE & SONS, INC.

5431 West 164th Street • Brook Park, Ohio 44142

SI-156 (5•06)

MUSTEE
MODEL NO. 10
SELF RIMMING
LAUNDRY TRAY

PARTS ILLUSTRATION



TYPICAL STUD INSTALLATION

CARE AND CLEANING

The surface of your Self Rimming Countertop Sink may be cleaned with a mild soap solution in warm water using a soft cloth. For stubborn stains use "Soft-Scrub" by Clorox or Lysol "Tub & Tile Cleaner" or a powdered detergent such as "Spic-n-Span". Never use abrasive scouring powder or steel wool pads as they will dull the surface. A periodic coating of a silicone based marine polish will help retain the fine finish.

PARTS LIST			
KEY NO	PART NO.		DESCRIPTION
	WHITE	BONE	
1	10.107 10.606	10.108 10.606	Self Rimming Laundry Tray Parts Package Complete*
2	+	+	Mounting Stud (4 Required)
3	+	+	Mounting Plate (4 Required)
4	+	+	Mounting Nut (4 Required)
	10.302A	10.303A	Drain Package Complete*
5	++	++	Stopper - 1 1/2" Diameter
6	++	++	Drain Body (Molded)
7	++	++	Washer, Sealing "Foam" (White)
8	++	++	Washer, Friction "Fiber"
9	++	++	Locknut - 1 1/2" Thrd.
10	91.702	91.702	1 1/2" Tailpiece Washer (Not Shown)
11	91.703	91.703	1 1/2" Thrd. Slip Nut (Not Shown)

*FOR REPLACEMENT PARTS - ORDER COMPLETE PARTS OR DRAIN PACKAGE
 - PACKAGES WILL NOT BE SPLIT FOR INDIVIDUAL PARTS