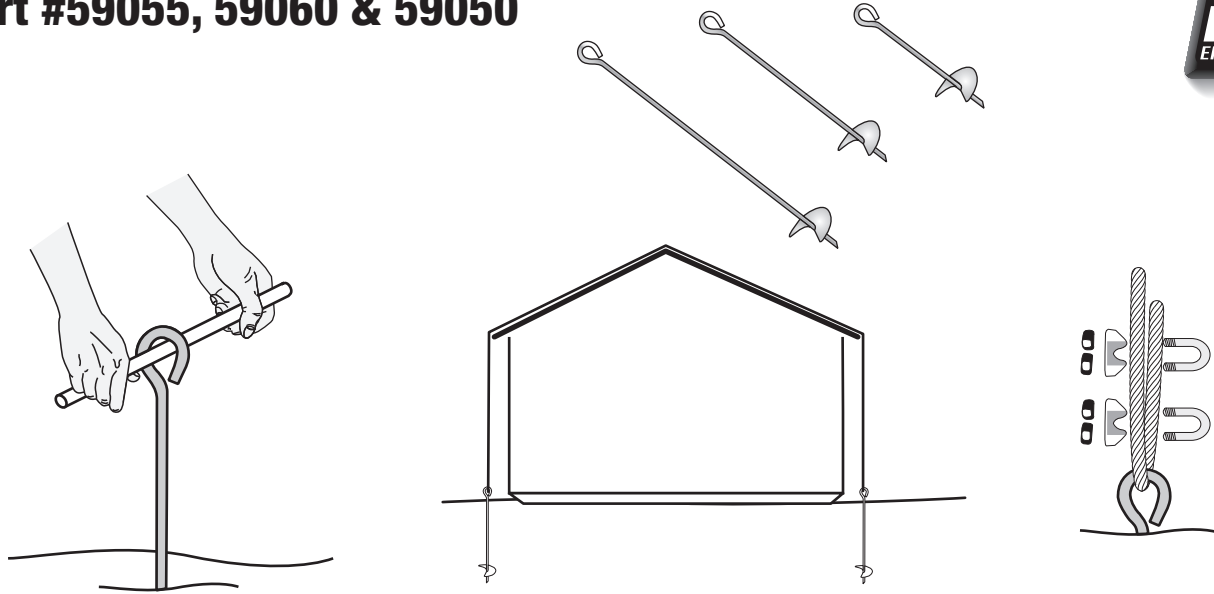


Eye Anchor Installation Instructions

Part #59055, 59060 & 59050



1. Install ground anchors as close to the building as possible at all four corners.
 - A. Install anchors using a straight rod to turn (screw) anchor into the ground.
 - B. A starter hole, up to 1/3 of the anchor length can be used to start anchor into the ground. Once the anchor eye is level with the ground, backfill the soil and pack area around the anchor eye.
 - C. Anchor eye should be just above soil level.
2. Cable can be secured to the building using the following methods.
 - A. Attach one end of the cable to an anchor using the wire rope clips. Cable goes thru the anchor eye and is clamped together using the wire clip. Place the cable over the roof to the opposite anchor, loop cable thru anchor eye. Cut cable to have enough to attach to the anchor. Pull cable tight, attach wire rope clips (2), tighten nuts. Repeat for other side.
 - B. Attach cable to the side wall studs. Additional hardware required, bolts, washers nuts and wire rope clips. All available at your local hardware supply.

NOTE:

These instructions are for suggested attachment to small shed not located in high wind areas. For more detailed anchor requirements, see the wind zone charts for your area. You may need additional anchors, cable, wire clamps or other forms of anchor attachments to the shed to meet local or state requirements.

Twelve (12) Month Limited Warranty

All tie down anchors, when installed in accordance with the manufacturers recommendations and when used within the suggested capacities are guaranteed for 12 months from date of purchase against defects in material or workmanship.

If returned prepaid to the factory. TIE DOWN ENGINEERING will replace without charge the defective part. Labor delays or damage are not covered by this warranty and while this warranty gives you specific legal rights, you may also have other rights with vary from state to state.

TIE DOWN ENGINEERING • 255 Villanova Drive SW • Atlanta, GA 30336
www.tiedown.com (404) 344-0000 Fax (404) 349-0401

