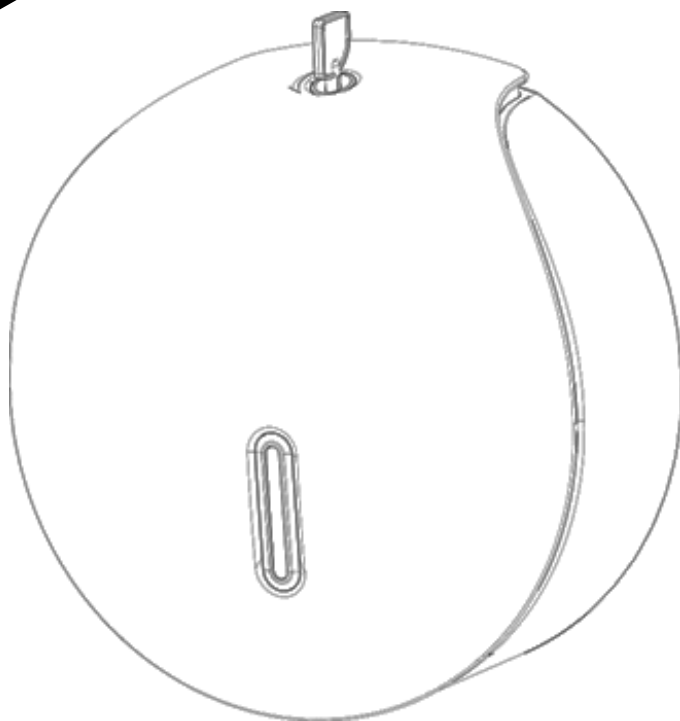
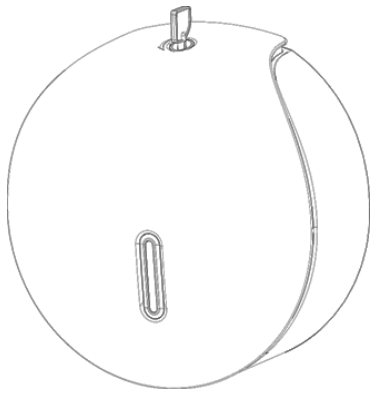




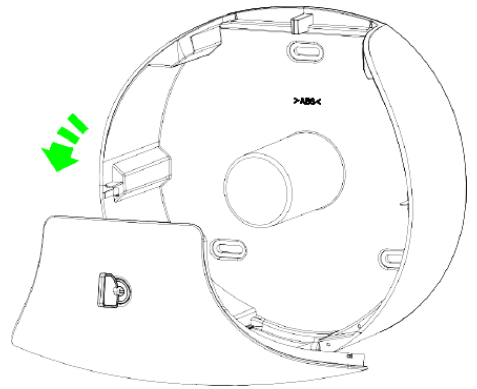
**SINGLE-ROLL
JUMBO BATH
TISSUE DISPENSER**



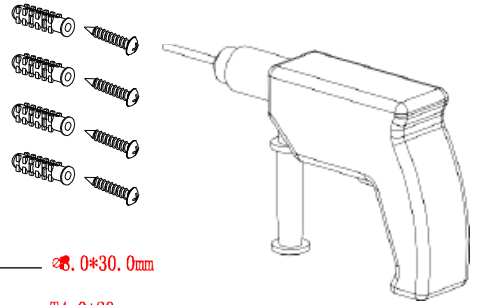
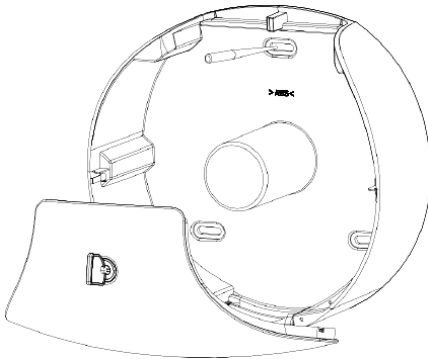
Item# 450-GRY, 450-WHI



1. Insert key into the hole on the top of tissue holder.



2. Turn the key by following the direction marked on the keyhole to open the front cover of tissue holder by downward.

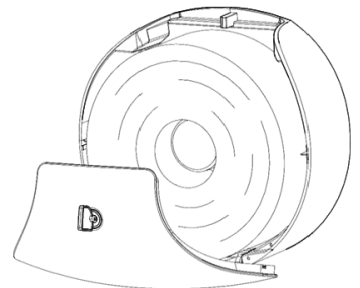
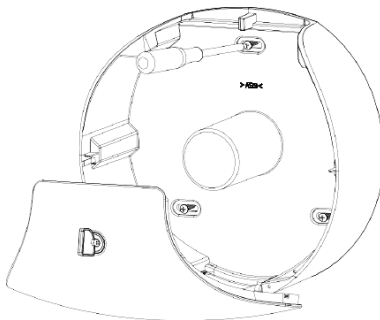


Plug size — $\varnothing 8.0 \times 30.0 \text{mm}$

Screw size — $T4.0 \times 20 \text{mm}$

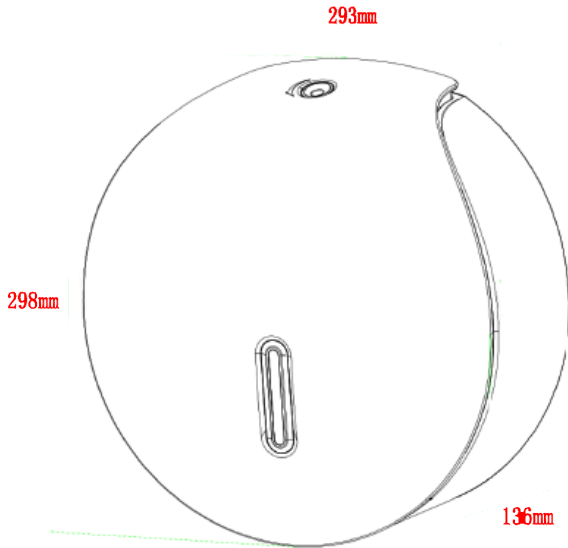
3. Mark the 3 drilling holes on the wall according to the mounting holes on the bottom shell of the tissue holder.

4. Drill the holes and insert the plastic plugs into the holes.



5. Turn the 3 screws with screwdriver into the plastic plugs and fix the tissue holder on the wall tightly.

6. Load the jumbo roll paper into the tissue holder.



Specifications

Roll Diameter: 9 inches
Core Diameter: 2 ½ inches



Alpine Industries
27 Selvage St
Irvington NJ 07111
Info@alpinecorp.net
www.alpinecorp.net