

Sunray Saunas

Savannah Indoor Infrared Sauna

Canadian Red Cedar

Strength and durability with a soothing aroma.

Dual Keypads

Both interior and exterior keypads for convenience and ease of use.

Built-In Ergonomic Backrest

Strategically positioned backrest for maximum comfort and relaxation.

Advanced Carbon Nano Heaters

Provides smooth evenly dispersed heat with no hot zones.



Chromatherapy Lighting

Multi-color lighting built into the ceiling for mood enhancement.

Oxygen Ionization System

Cleans and purifies the air to help keep the sauna clean.

Ventilation System

Built in ceiling ventilation for advanced air flow control.

Cabin Features

Solid wood floor and heavy duty hinged door with tempered glass.

Premium Bluetooth System



Bluetooth makes it easy to connect and listen to your audio devices.

Integrated Key Pad



Integrated digital keypad controls temperature, time, lights, heater intensity.

Chroma Light Therapy



Choose from 7 different colored lights that provide an array of colors that reduce anxiety and improve mood.

Warranty

Industry leading full 7 year structural warranty. 1 year parts warranty. Lifetime support.

SPECIFICATIONS

Construction

Canadian Red Cedar
10mm Tempered Glass
Tongue & Groove
Weight: 345 Lbs

Exterior

Width: 59"
Depth: 47"
Height: 75"

Interior

Width: 55"
Depth: 37"
Height: 68"

Heaters

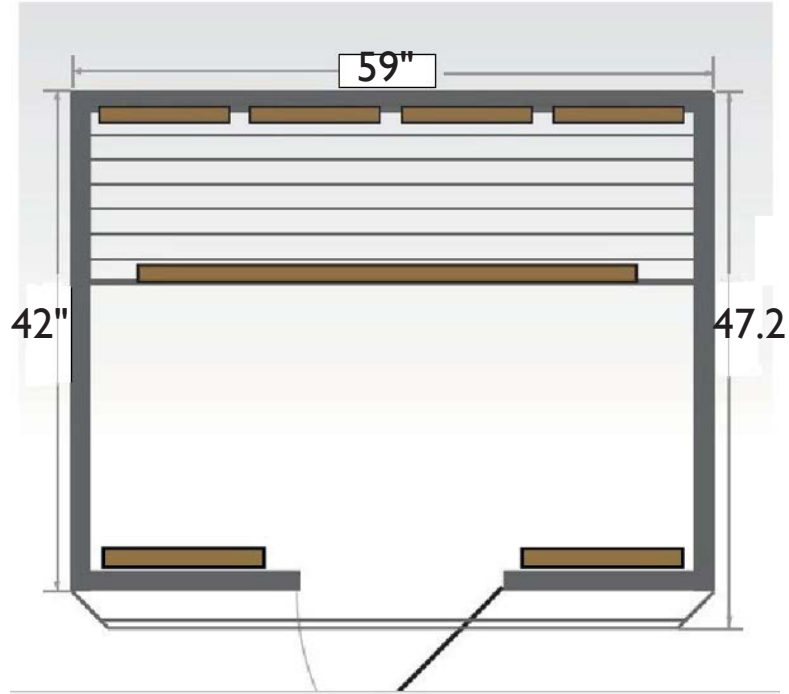
8 Carbon Nano Heaters
1965 Watts
120V, 20 Amp Dedicated

Warranty Coverage

Structure 7 Years
Electronics 1 Year
Heaters 1 Year

Sunray Saunas

Savannah Indoor Infrared Sauna



Exterior Dimensions

SPECIFICATIONS

Construction

Canadian Red Cedar
10mm Tempered Glass
Tongue & Groove
Weight: 345 lbs

Exterior

Width: 59"
Depth: 47"
Height: 75"

Interior

Width: 59"
Depth: 37"
Height: 68"

Heater

8 Carbon Nano Heaters
1965 Watts
120V, 20 Amp Dedicated

Warranty Coverage

Structure 7 Years
Electronics 1 Year
Heaters 1 Year