

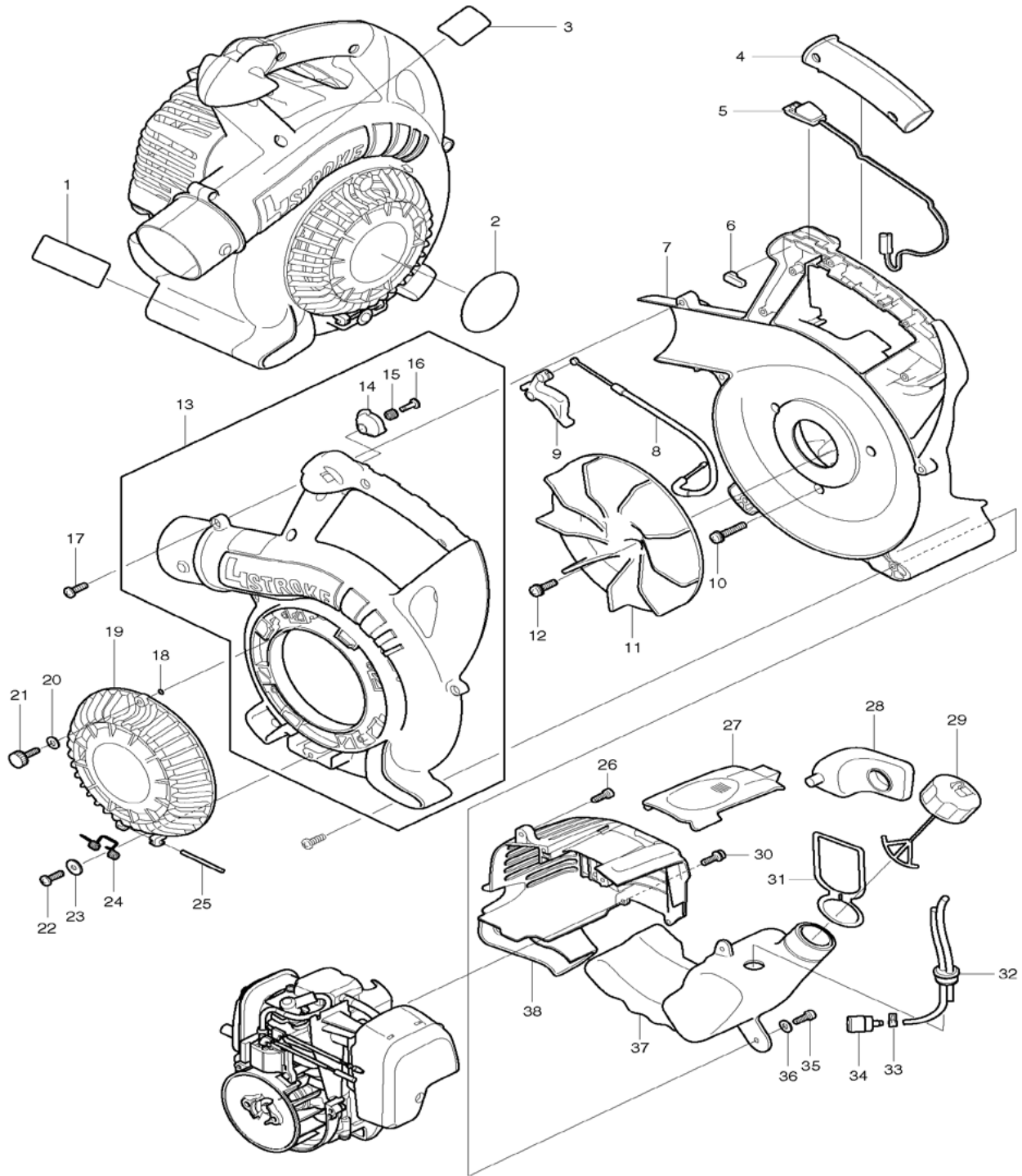


BHX2500
BHX2500CA

BHX2500
BHX2500CA

1

**Volute Case, Fan Cover,
Fuel Tank**



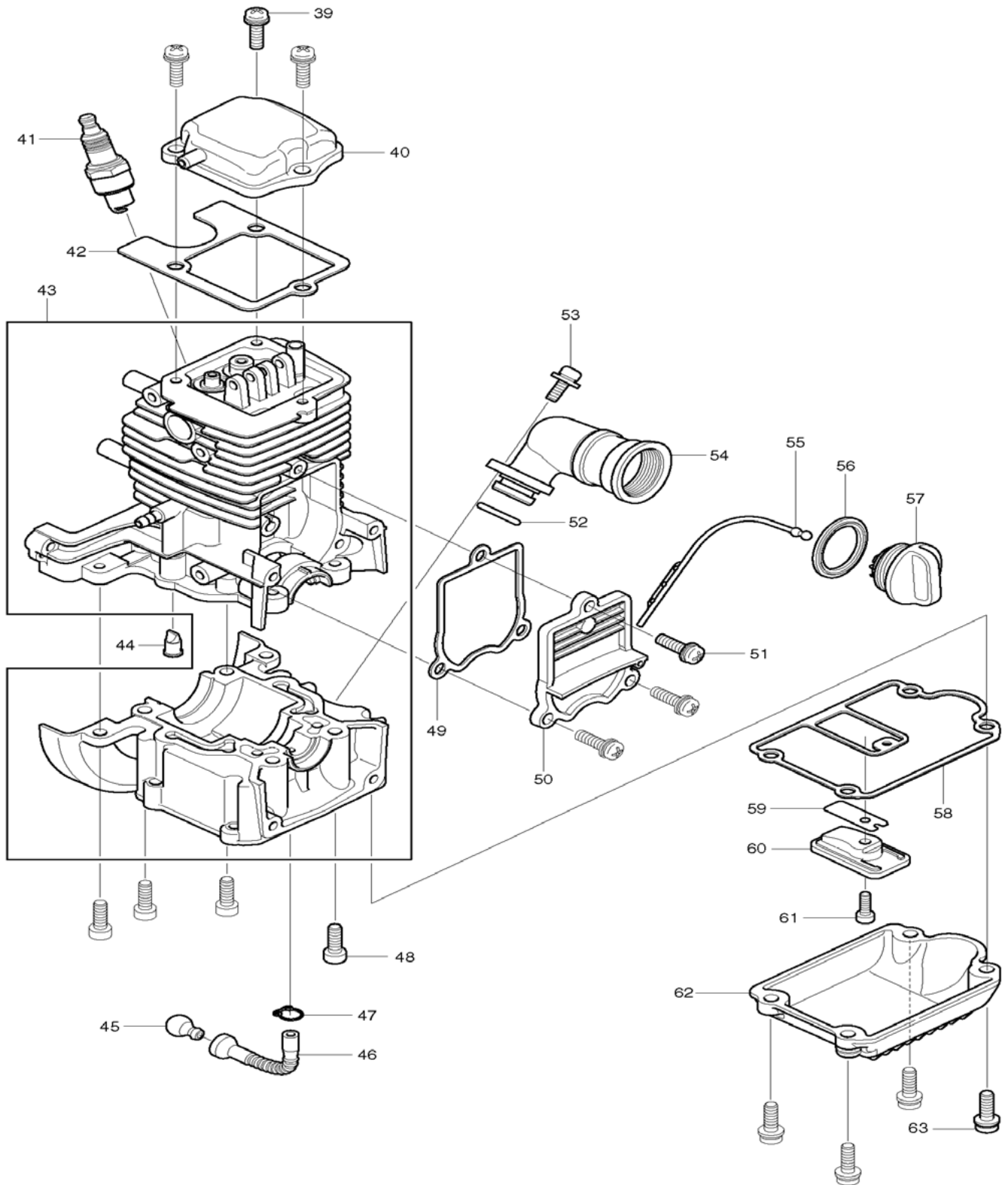
Products with multiple versions are listed in subsiding order with the newest version on top not indented.
Corresponding bulletins are attached. Select bulletin name or attachment to view.

Section	Fig. No.	Part No.	Description	BHX2500CA	BHX2500	Tech Bulletin	Notes
1	1	073-62899-80	CAUTION LABEL	1	1		
1	2	665-95043-00	MODEL LABEL , BHX2500CA	1	1		
1	3	660-95132-00	CAUTION LABEL	1	1		
1	4	273665-3	GRIP, BHX2500	1	1		
1	4	665-55000-00	GRIP BHX2500	1	1		
1	5	638640-0	SWITCH CPL., BHX2500	1	1		
1	6	424182-8	FRICITION RUBBER, BHX2500	1	1		
1	7	450958-7	VOLUTE CASE R, BHX2500	1	1		
1	8	168518-8	CONTROL CABLE, BHX2500	1	1		
1	9	450960-0	THROTTLE LEVER	1	1	Y05773	
1	10	911253-5	P.H. SCREW M5X30	2	2		
1	11	240113-7	IMPELLER, BHX2500	1	1		
1	11	665-10030-00	IMPELLER CPL.	1	1		
1	12	004-36062-00	SCREW ASSEMBLY	2	2		
1	13	125533-5	VOLUTE CASE L ASS'Y, BHX2500	1	1		
1	14	452216-7	CRUISE LEVER, BHX2500	1	1		
1	14	665-55001-00	CRUISE LEVER	1	1		
1	15	665-55002-00	SPRING BHX2500	1	1		
1	16	015-00498-40	TAPPING SCREW 4X16	1	1		
1	17	265878-0	TAPPING SCREW BIT 5X16	9	9		
1	18	213022-3	O RING 3	1	1	Y06222	
1	18	660-15034-00	OUTER SNAP RING	1	1		
1	19	660-15027-05	PROTECTOR, BHX2500	1	1	Y06222	
1	19	660-15027-04	PROTECTOR, BHX2500	1	1		
1	20	424180-2	RUBBER WASHER	1	1		
1	20	660-15035-00	RUBBER WASHER	1	1		
1	21	660-15032-01	SCREW ASS'Y M4X25 (W,SW)	1	1		
1	22	265878-0	TAPPING SCREW BIT 5X16	1	1		
1	23	003-12050-03	WASHER BHX2500	1	1		
1	24	660-15030-01	SPRING RBL250	1	1		
1	25	268230-1	SHAFT RBL250	1	1		
1	25	660-15031-00	SHAFT RBL250	1	1		
1	26	265878-0	TAPPING SCREW BIT 5X16	3	3		
1	27	450964-2	PLUG COVER	1	1		

Products with multiple versions are listed in subsiding order with the newest version on top not indented.

Corresponding bulletins are attached. Select bulletin name or attachment to view.

Section	Fig. No.	Part No.	Description	BHX2500CA	BHX2500	Tech Bulletin	Notes
1	28	592-65016-00	OIL GUARD	1	1		
1	29	125472-9	FUEL TANK CAP ASSEMBLY	1	1		
1	30	911128-8	P.H. SCREW M4X16	2	2		
1	31	810455-9	CAUTION PLATE, EM2650LH	1	1		
1	32	168772-4	TUBE CPL.	1	1		
1	32	158911-4	TUBE CPL., BHX2500	1	1		
1	33	345920-4	HOSE CLAMP	1	1		
1	34	163447-0	FILTER RBL500	1	1		
1	34	523-65039-00	FILTER RBL500	1	1		
1	35	265878-0	TAPPING SCREW BIT 5X16	3	3		
1	36	003-12050-03	WASHER, BHX2500	3	3		
1	37	454006-4	FUEL TANK, BHX2500CA	1	1		
1	37	450987-0	FUEL TANK, BHX2500CA	1	1		
1	38	665-65003-00	ENGINE COVER	1	1		



Products with multiple versions are listed in subsiding order with the newest version on top not indented.

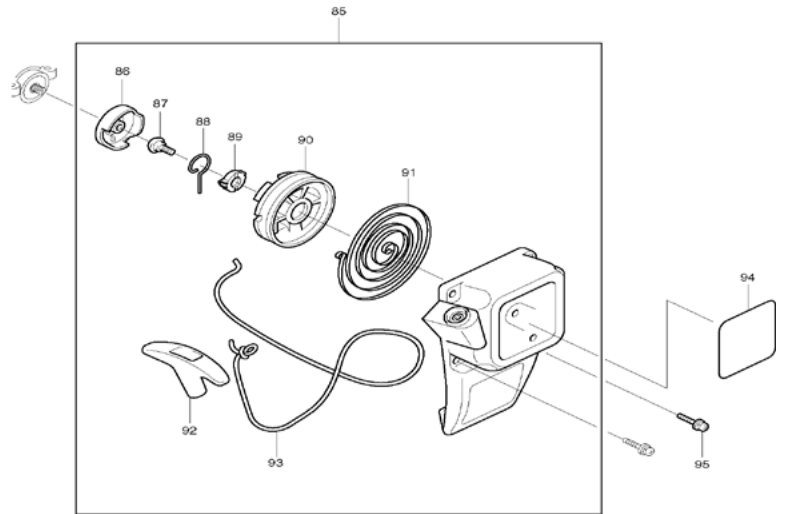
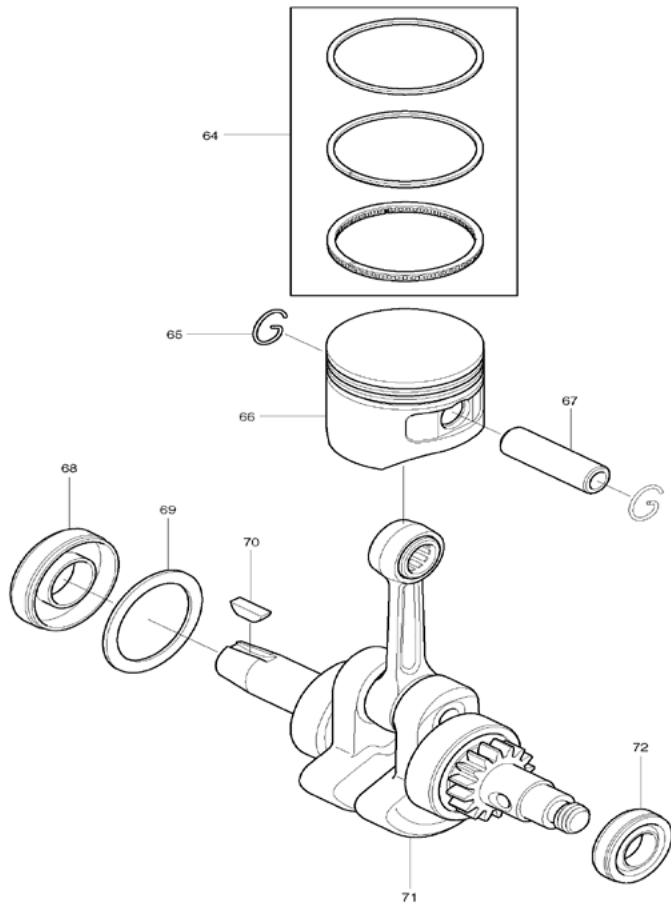
Corresponding bulletins are attached. Select bulletin name or attachment to view.

Section	Fig. No.	Part No.	Description	BHX2500CA	BHX2500	Tech Bulletin	Notes
2	39	922223-9	H.S.H. BOLT M5X16 WITH WR	4	4		
2	39	011-90595-31	SOCKET HEAD BOLT M5X16	4	4		
2	40	592-10040-01	ROCKER COVER CPL.	1	1		
2	41	168401-9	SPARK PLUG	1	1		
2	42	162275-0	ROCKER COVER GASKET, BHX2500	1	1		
2	42	592-15008-00	ROCKER COVER GASKET	1	1		
2	43	125914-3	CYLINDER BLOCK ASS'Y, BHX2500	1	1		
2	43	592-10110-02	CYLINDER BLOCK SET	1	1	Y05396	
2	43	592-10110-01	CYLINDER BLOCK SET	1	1		
2	44	424201-0	CHECK VALVE	2	2		
2	45	325666-8	OIL WEIGHT	1	1		
2	45	592-65003-00	OIL WEIGHT	1	1		
2	46	592-65002-00	OIL TUBE	1	1		
2	47	282020-8	HOSE CLAMP, EM2650LH	1	1		
2	48	011-90595-10	S.H. BOLT M5X14	8	8		
2	49	162274-2	CAMGEAR COVER GASKET	1	1		
2	49	592-15007-00	CAMGEAR COVER GASKET	1	1		
2	50	318443-5	CAMGEAR COVER	1	1		
2	50	592-15005-02	CAMGEAR COVER	1	1		
2	51	004-36051-40	SCREW M5X14	3	3		
2	52	024-01399-50	O RING	1	1		
2	53	004-36051-20	SCREW ASSEMBLY M5X12	1	1		
2	54	140813-8	OIL PIPE CPL., BHX2500	1	1		
2	54	592-60210-00	OIL PIPE CPL.	1	1		
2	55	592-65017-00	OIL GAUGE	1	1		
2	56	424343-0	GASKET, EM2650LH	1	1		
2	56	021-32299-90	GASKET BHX2500	1	1		
2	57	452047-4	OIL CAP, EM2650LH	1	1		
2	58	162276-8	CASE GASKET	1	1		
2	58	592-65001-00	CASE GASKET	1	1		
2	59	346083-9	LEAD VALVE	1	1		
2	59	592-15010-00	LEAD VALVE, EM4251	1	1		
2	60	592-15011-00	RETAINER PLATE	1	1		
2	61	922112-8	H.S.H. BOLT M4X10, BO5001	1	1	91157	

Products with multiple versions are listed in subsiding order with the newest version on top not indented.

[Corresponding bulletins are attached. Select bulletin name or attachment to view.](#)

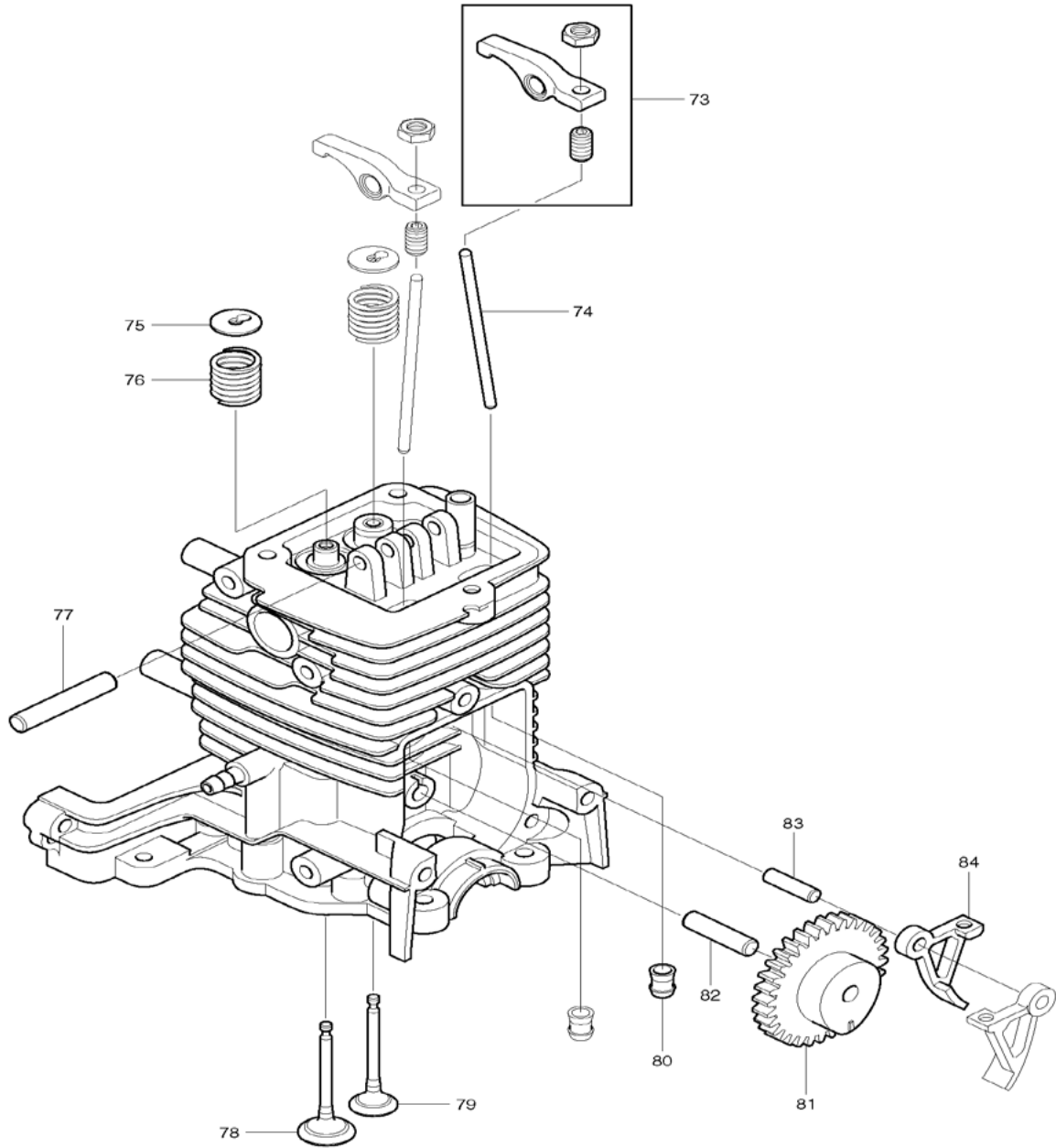
Section	Fig. No.	Part No.	Description	BHX2500CA	BHX2500	Tech Bulletin	Notes
2	62	592-65000-00	OIL CASE	1	1		
2	63	011-90595-10	S.H. BOLT M5X14, EM4251	4	4	Y05404	
2	63	004-36051-80	SCREW ASSEMBLY	4	4		



Products with multiple versions are listed in subsiding order with the newest version on top not indented.

Corresponding bulletins are attached. Select bulletin name or attachment to view.

Section	Fig. No.	Part No.	Description	BHX2500CA	BHX2500	Tech Bulletin	Notes
3	64	195145-8	PISTON RING SET, EM4251	1	1		
3	65	233976-8	CLIP RST250	2	2		
3	65	056-50899-70	CLIP RST250	2	2		
3	66	318441-9	PISTON, EM2650LH	1	1		
3	66	592-25009-00	PISTON EM4251	1	1		
3	67	257781-9	PISTON PIN, EM2650LH	1	1		
3	68	213147-3	OIL SEAL (L)	1	1		
3	68	044-01299-60	OIL SEAL (L)	1	1		
3	69	267400-9	CLIP EM4251	1	1		
3	69	542-15005-00	CLIP EM4251	1	1		
3	70	254040-2	WOODRUFF KEY 3, EM2650LH	1	1		
3	71	592-20030-00	CRANKSHAFT ASS'Y	1	1		
3	72	213148-1	OIL SEAL (S)	1	1		
3	72	044-01099-70	OIL SEAL (S)	1	1		
3	85	125917-7	STARTER COVER ASS'Y, BHX2500	1	1		
3	85	592-50010-02	STARTER COVER ASS'Y	1	1		
3	86	168483-1	PULLEY, EM2650LH	1	1		
3	86	519-55000-00	PULLEY RBC201	1	1		
3	87	266585-8	TAPPING SCREW 5X12	1	1		
3	88	325923-4	SWING ARM, EM2650LH	1	1		
3	89	451938-6	COLLAR, EM2650LH	1	1		
3	90	451937-8	REEL, EM2650LH	1	1		
3	91	232258-5	SPIRAL SPRING, EM2650LH	1	1		
3	92	424319-7	STARTER KNOB, EM2650LH	1	1		
3	93	592-50010-50	STARTER ROPE	1	1		
3	94	819328-3	MAKITA LOGO LABEL, BHX2500	1	1		
3	95	911128-8	P.H. SCREW M4X16	2	2		

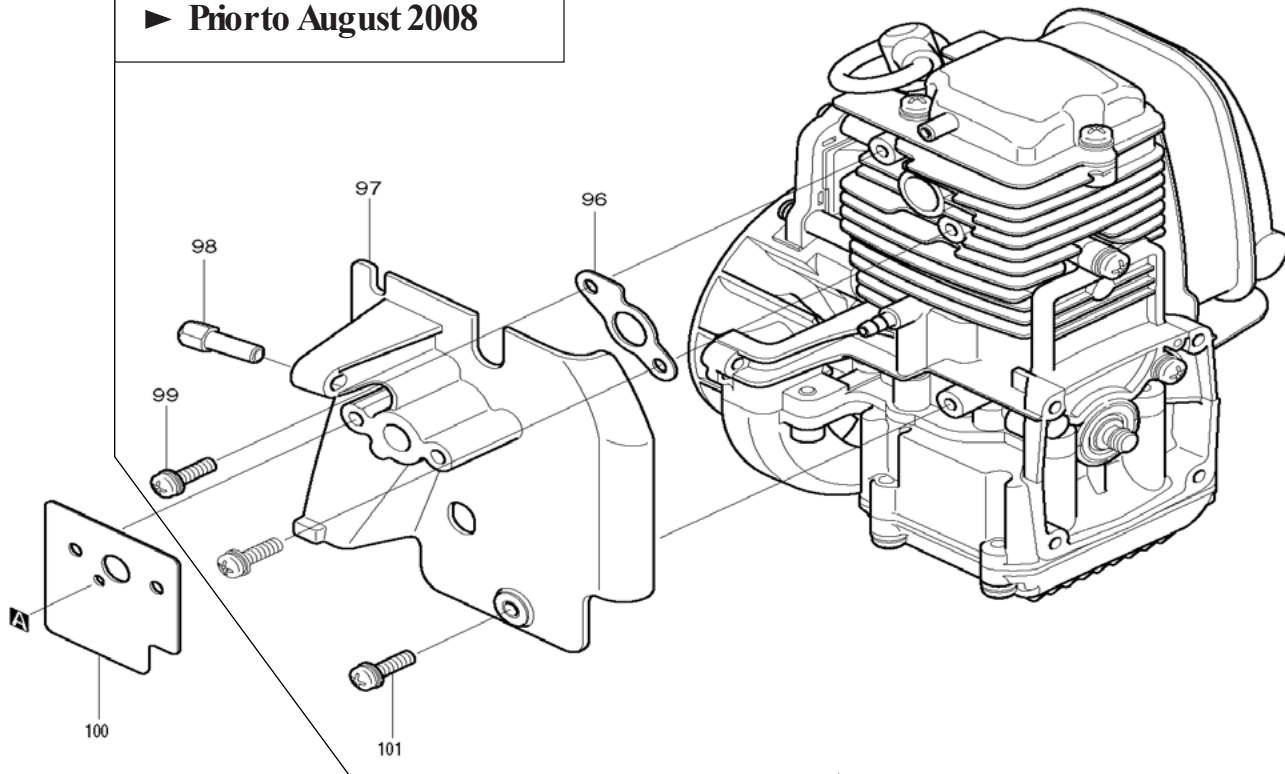


Products with multiple versions are listed in subsiding order with the newest version on top not indented.

Corresponding bulletins are attached. Select bulletin name or attachment to view.

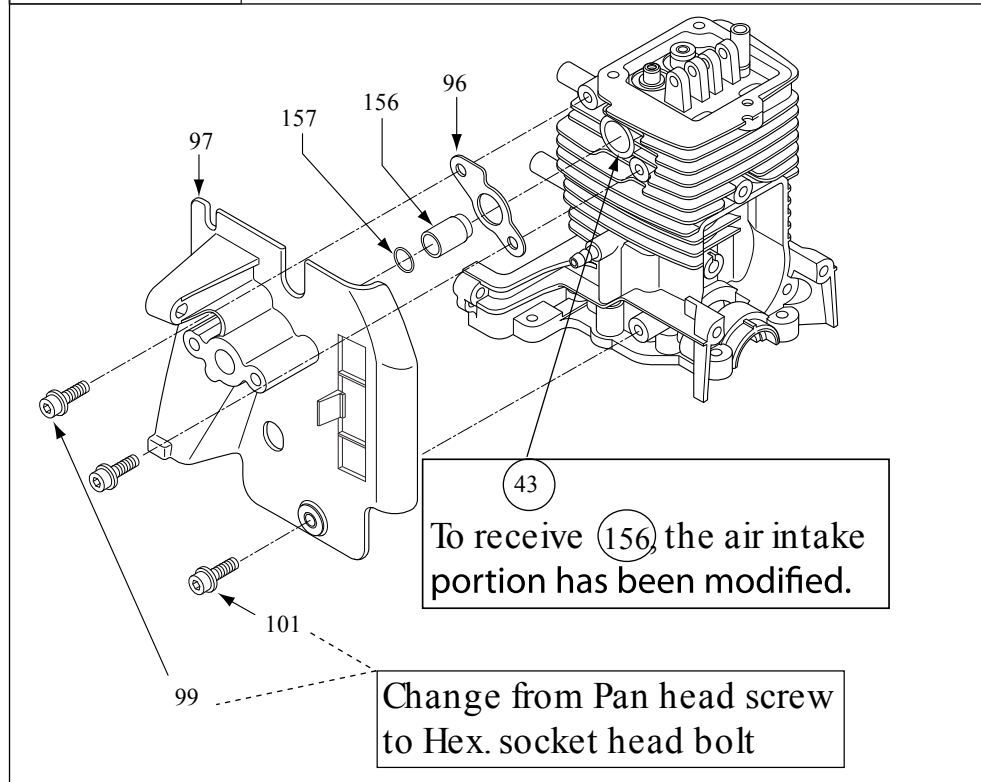
Section	Fig. No.	Part No.	Description	BHX2500CA	BHX2500	Tech Bulletin	Notes
4	73	125554-7	ROCKER ARM ASS'Y	2	2		
4	73	593-30020-00	ROCKER ARM ASS'Y	2	2		
4	74	256865-0	PUSH ROD	2	2		
4	74	592-35007-00	PUSH ROD	2	2		
4	75	325668-4	SPRING RETAINER	2	2		
4	75	592-35013-00	SPRING RETAINER	2	2		
4	76	234108-0	VALVE SPRING	2	2		
4	76	592-35012-00	VALVE SPRING	2	2		
4	77	256200-2	PIN 5	1	1		
4	78	325670-7	INTAKE VALVE	1	1		
4	78	592-35015-00	INTAKE VALVE	1	1		
4	79	325669-2	EXHAUST VALVE	1	1		
4	79	592-35014-00	EXHAUST VALVE	1	1		
4	80	424200-2	SPACER, EM2650LH	2	2		
4	81	125552-1	CAM GEAR ASSEMBLY	1	1		
4	81	593-30030-00	CAM GEAR ASSEMBLY	1	1		
4	82	268238-5	CAM GEAR SHAFT	1	1		
4	82	592-35005-01	CAM GEAR SHAFT	1	1		
4	83	268239-3	CAM LIFTER SHAFT	1	1		
4	83	592-35006-00	CAM LIFTER SHAFT	1	1		
4	84	313169-4	CAM LIFTER	2	2		
4	84	592-35000-01	CAM LIFTER	2	2		

► Prior to August 2008



► Type 2

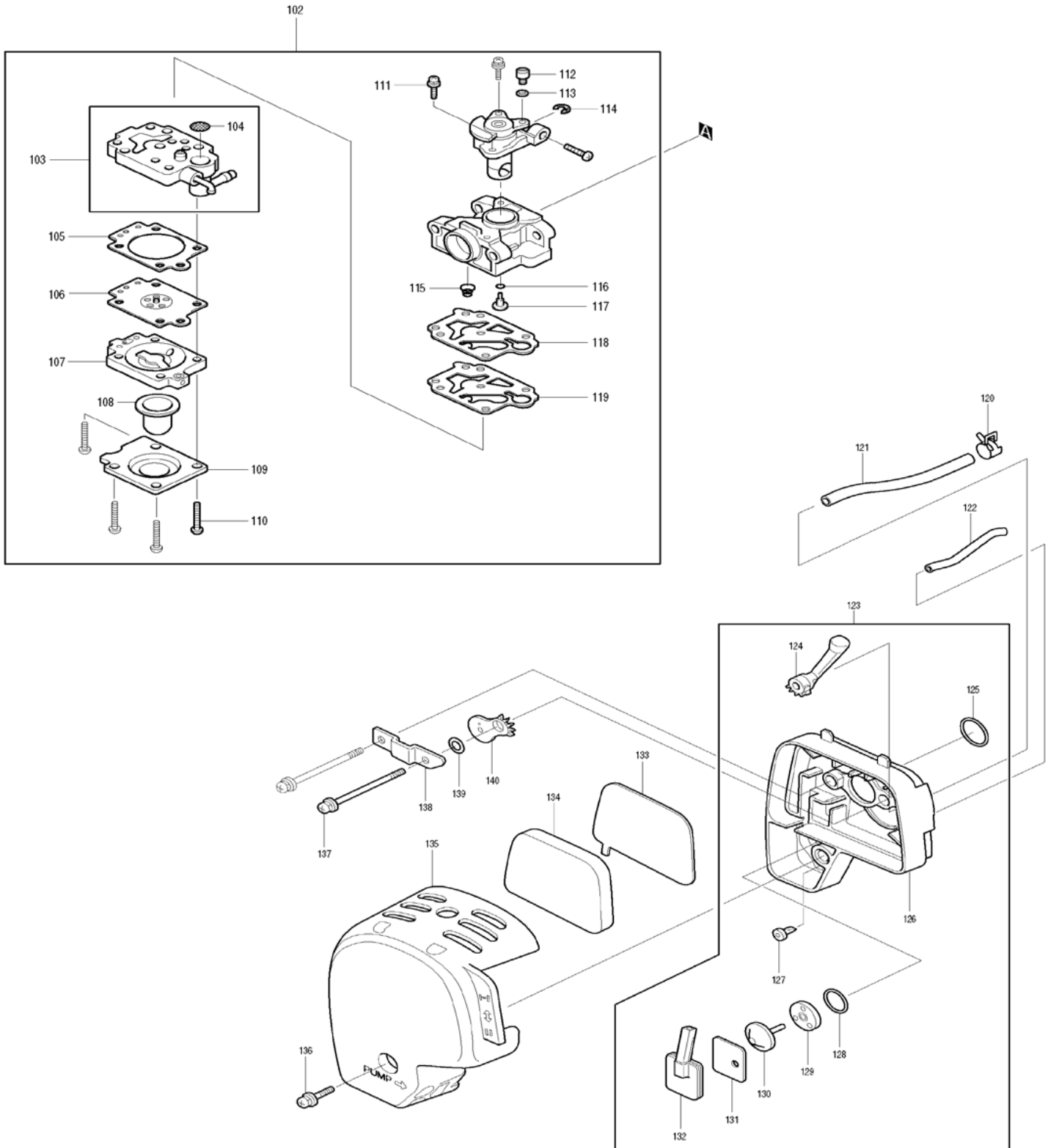
Implemented August 2008



Products with multiple versions are listed in subsiding order with the newest version on top not indented.

[Corresponding bulletins are attached. Select bulletin name or attachment to view.](#)

Section	Fig. No.	Part No.	Description	BHX2500CA	BHX2500	Tech Bulletin	Notes
5	96	592-35047-00	INSULATOR GASKET	1	1	Y05396	
5	97	592-30180-00	INSULATOR CPL.	1	1	Y05396	
5	97	592-30130-00	INSULATOR CPL.	1	1		
5	98	014-90699-72	ADJUST SCREW M6X16	1	1		
5	99	922228-9	H.S.H. BOLT M5X18 WITH WR, EM2650LH	2	2		
5	99	011-90598-70	SOCKET HEAD BOLT, RBC230	2	2		
5	100	413121-3	CARBURETOR GASKET, EM4250	1	1		
5	100	592-35040-00	CARBURETOR GASKET, EM4250	1	1		
5	101	004-36051-40	SCREW M5X14, M5X14	1	1		
5	101	011-90597-80	S.H. BOLT M5X12, RBC230	1	1	Y05396	
5	156	592-35046-00	INTAKE PIPE,BHX2500	1	1	Y05396	
5	157	213078-6	O-RING 10	1	1	88468	



Products with multiple versions are listed in subsiding order with the newest version on top not indented.

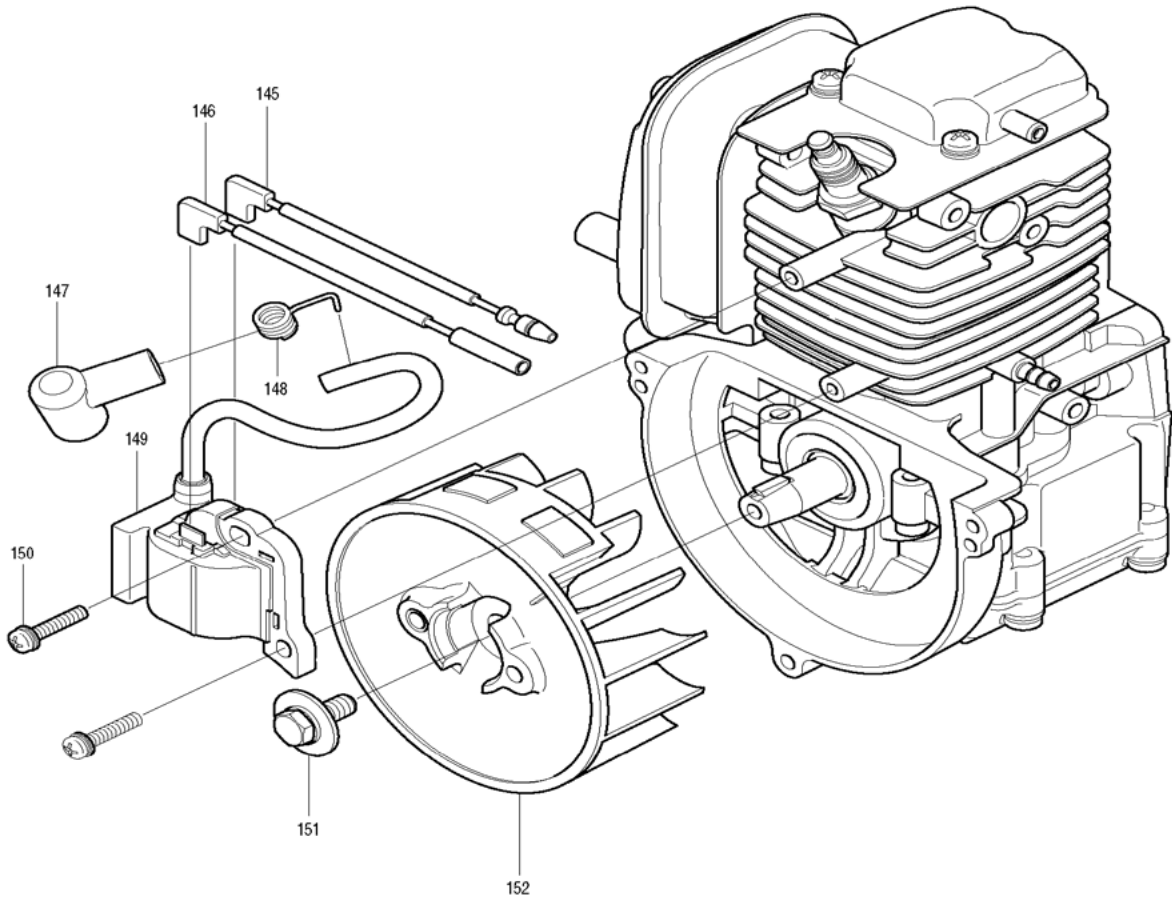
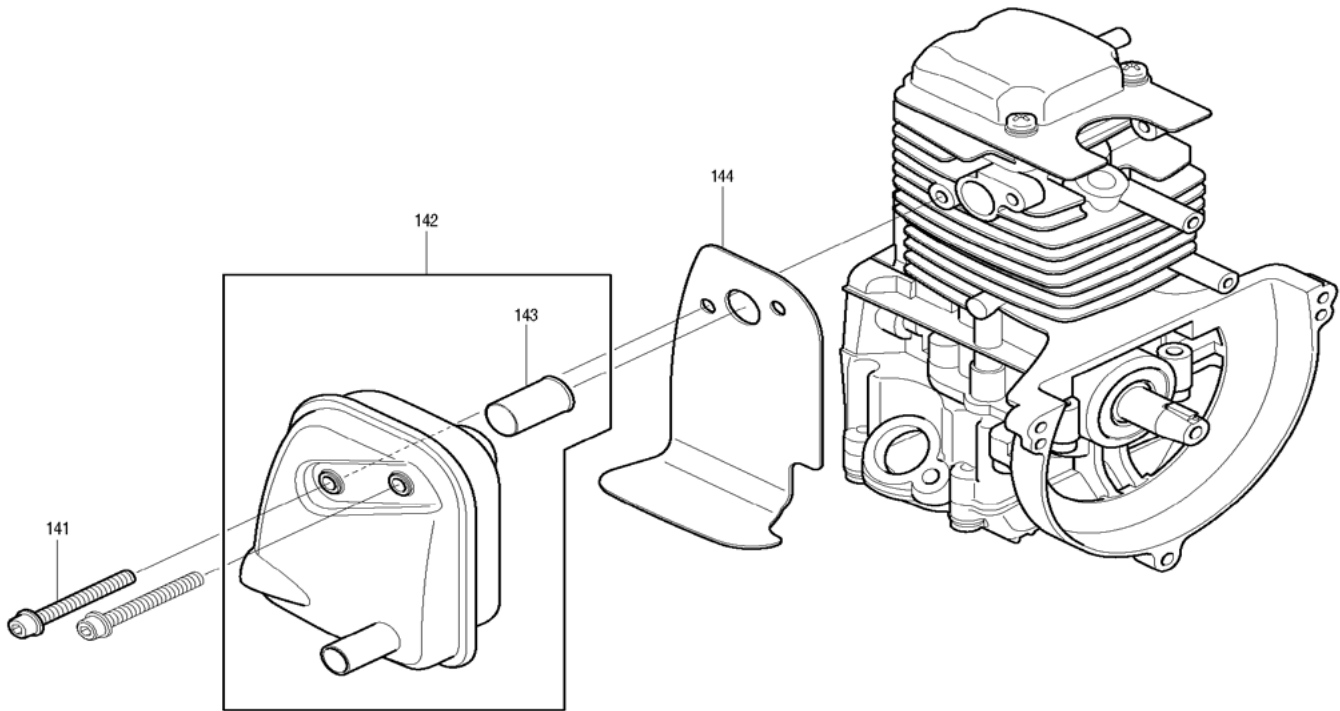
Corresponding bulletins are attached. Select bulletin name or attachment to view.

Section	Fig. No.	Part No.	Description	BHX2500CA	BHX2500	Tech Bulletin	Notes
6	102	168641-9	CARBURETOR, BHX2500	1	1		
6	103	593-60250-10	BODY ASS'Y PUMP	1	1	Y05523	
6	104	352010-6	INLET SCREEN	1	1		
6	104	501-60040-10	INLET SCREEN, RBC230	1	1		
6	105	442154-1	METERING DIAPHRAGM GASKET	1	1		
6	106	168620-7	METERING DIAPHRAGM, EM2650LH	1	1		
6	106	526-60090-10	MASTERING DIAPHRAGM	1	1	Y05523	
6	107	140438-8	AIR PURGE BODY	1	1		
6	108	424314-7	PRIMER PUMP	1	1		
6	109	346270-0	PRIMER PUMP COVER	1	1		
6	109	523-60460-50	PRIMER PUMP COVER, EM4251	1	1		
6	110	266582-4	TAPPING SCREW 3X24	4	4		
6	111	266581-6	PAN HEAD SCREW M3X8, EM2650LH	2	2		
6	112	325922-6	SWIVEL	1	1		
6	113	413140-9	WASHER	1	1		
6	114	257964-1	STOP RING E-3	1	1		
6	115	234183-6	CONICAL COMPRESSION SPRING 5-9	1	1		
6	116	213538-8	O RING 2	1	1		
6	116	524-60010-10	O RING, RBC230	1	1		
6	117	525-60650-10	JET	1	1	Y05523	
6	117	519-60020-20	JET RBC201	1	1		
6	118	442155-9	PUMP GASKET	1	1		
6	118	592-60020-40	PUMP GASKET, EM4251	1	1		
6	119	168575-6	PUMP DIAPHRAGM	1	1		
6	120	345918-1	HOSE CLAMP, EM2650LH	1	1		
6	121	592-15009-00	BREATHING PIPE	1	1		
6	122	593-35021-00	PIPE BHX2500	1	1		
6	123	125468-0	CLEANER PLATE ASS'Y, BHX2500	1	1		
6	123	593-30010-00	CLEANER PLATE ASSY	1	1		
6	124	451925-5	CHOKE LEVER, BHX2500	1	1		
6	125	213540-1	O RING 15, EM2650LH	1	1		
6	126	140814-6	AIR CLEANER PLATE	1	1		
6	126	593-30050-00	AIR CLEANER PLATE	1	1		
6	127	424316-3	CHECK VALVE	1	1		

Products with multiple versions are listed in subsiding order with the newest version on top not indented.

Corresponding bulletins are attached. Select bulletin name or attachment to view.

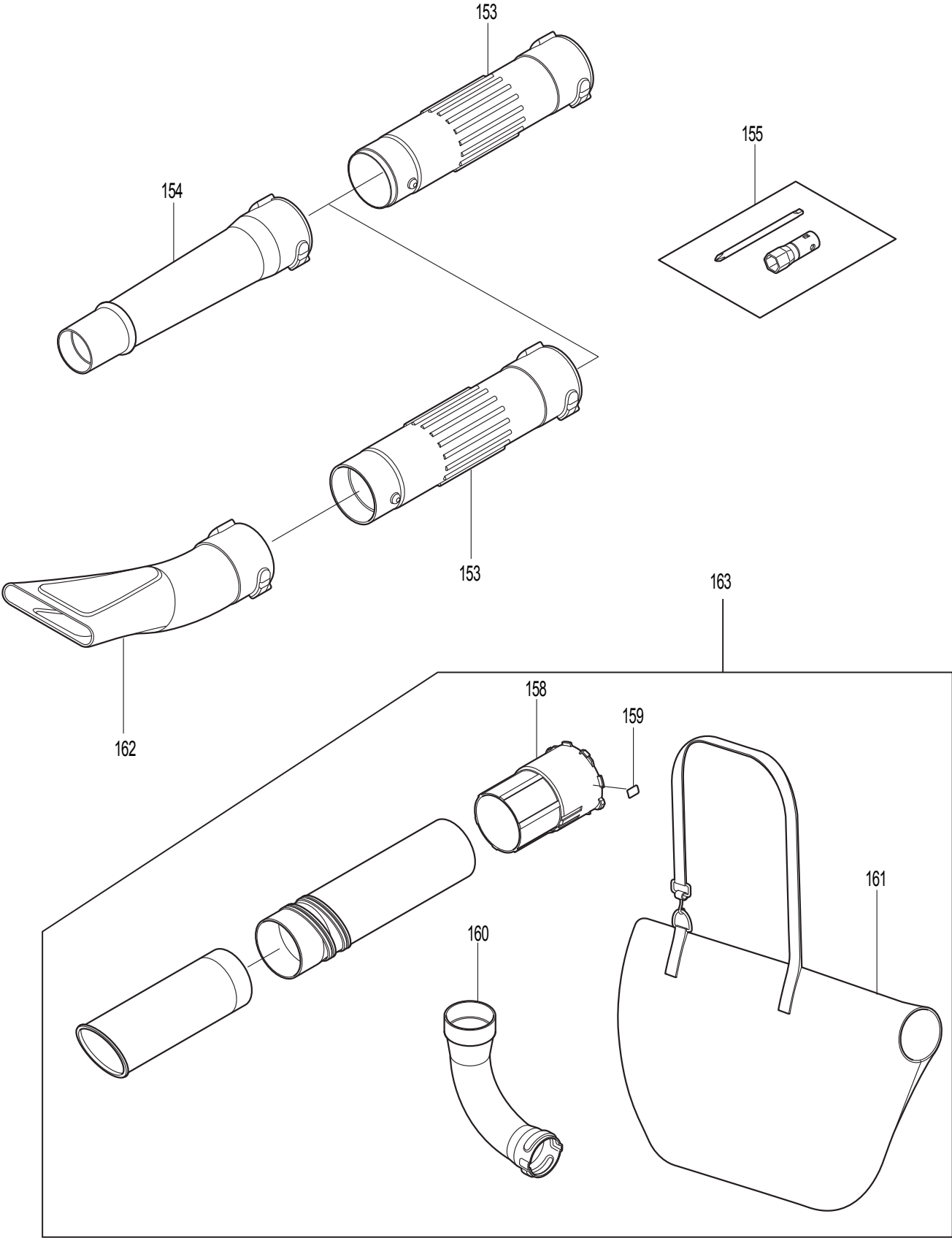
Section	Fig. No.	Part No.	Description	BHX2500CA	BHX2500	Tech Bulletin	Notes
6	128	024-01399-70	O RING P14	1	1		
6	129	592-35025-00	CHECK VALVE PLATE	1	1		
6	130	424315-5	CHECK VALVE	1	1		
6	131	592-35035-00	SEPARATOR GASKET	1	1		
6	132	593-35016-00	SEPARATOR PLATE	1	1		
6	133	443140-5	AIR CLEANER ELEMENT,EM4250	1	1		
6	133	593-35009-00	AIR CLEANER ELEMENT	1	1		
6	134	443141-3	AIR CLEANER ELEMENT	1	1		
6	134	593-35012-00	AIR CLEANER ELEMENT	1	1		
6	135	450561-4	AIR CLEANER COVER,EM4250	1	1		
6	135	593-35008-00	AIR CLEANER COVER	1	1		
6	136	266809-2	SCREW M5X14	1	1		
6	136	014-00594-80	SCREW M5X14	1	1		
6	137	592-35031-00	SCREW M5X68(W SW)	2	2		
6	138	592-35026-00	PLATE EM4251	1	1		
6	139	423376-2	GASKET RBC230	1	1		
6	139	021-30699-90	GASKET RBC230	1	1		
6	140	450560-6	CHOKE PLATE	1	1		
6	140	592-35023-01	CHOKE PLATE	1	1		



Products with multiple versions are listed in subsiding order with the newest version on top not indented.

Corresponding bulletins are attached. Select bulletin name or attachment to view.

Section	Fig. No.	Part No.	Description	BHX2500CA	BHX2500	Tech Bulletin	Notes
7	141	266440-4	SOCKET HEAD BOLT	2	2		
7	141	011-90595-20	SOCKET HEAD BOLT	2	2		
7	142	168643-5	EXHAUST MUFFLER, BHX2500	1	1		
7	143	592-30080-11	SPARK ARRESTER	1	1		
7	144	592-35043-00	MUFFLER GASKET	1	1		
7	145	638709-0	LEAD WIRE, BHX2500	1	1		
7	145	592-70100-00	WIRE 1	1	1		
7	146	638710-5	LEAD WIRE	1	1		
7	147	424105-6	PLUG CAP	1	1		
7	148	324891-8	PLUG CAP SPRING	1	1		
7	148	065-40099-31	PLUG CAP SPRING,RBC221	1	1		
7	149	168501-5	IGNITION COIL, BHX2500	1	1		
7	149	592-70120-11	IGNITION COIL, BHX2500	1	1		
7	150	011-90499-70	SOCKET HEAD BOLT M4X20	2	2		
7	150	004-37042-00	SCREW ASS'Y M4X20	2	2		
7	151	265577-4	BOLT ASS'Y M6X16	1	1		
7	151	013-00699-40	BOLT ASS'Y M6X16	1	1		
7	152	318702-7	FLYWHEEL, BHX2500	1	1		
7	152	592-75002-00	FLYWHEEL BHX2500	1	1		



Products with multiple versions are listed in subsiding order with the newest version on top not indented.

Corresponding bulletins are attached. [Select bulletin name](#) or [attachment to view](#).

Section	Fig. No.	Part No.	Description	BHX2500CA	BHX2500	Tech Bulletin	Notes
8	153	450965-0	PIPE, BHX2500	1	1		
8	153	665-95040-00	EXTENSION PIPE, BHX2500	1	1		
8	154	665-95010-00	ROUND END NOZZLE	1	1		
8	155	690-90590-00	BOX WRENCH SET	1	1		
8	158	660-95036-00	PIPE	1	1		
8	159	660-95048-00	MARK LABEL	1	1		
8	160	660-95028-01	ELBOW	1	1		
8	161	660-90510-00	DUST BAG	1	1		
8	162	451753-8	FLAT END PIPE, BHX2500	1	1		
8	163	195282-8	VACUUM SET, BHX2500	1	1		