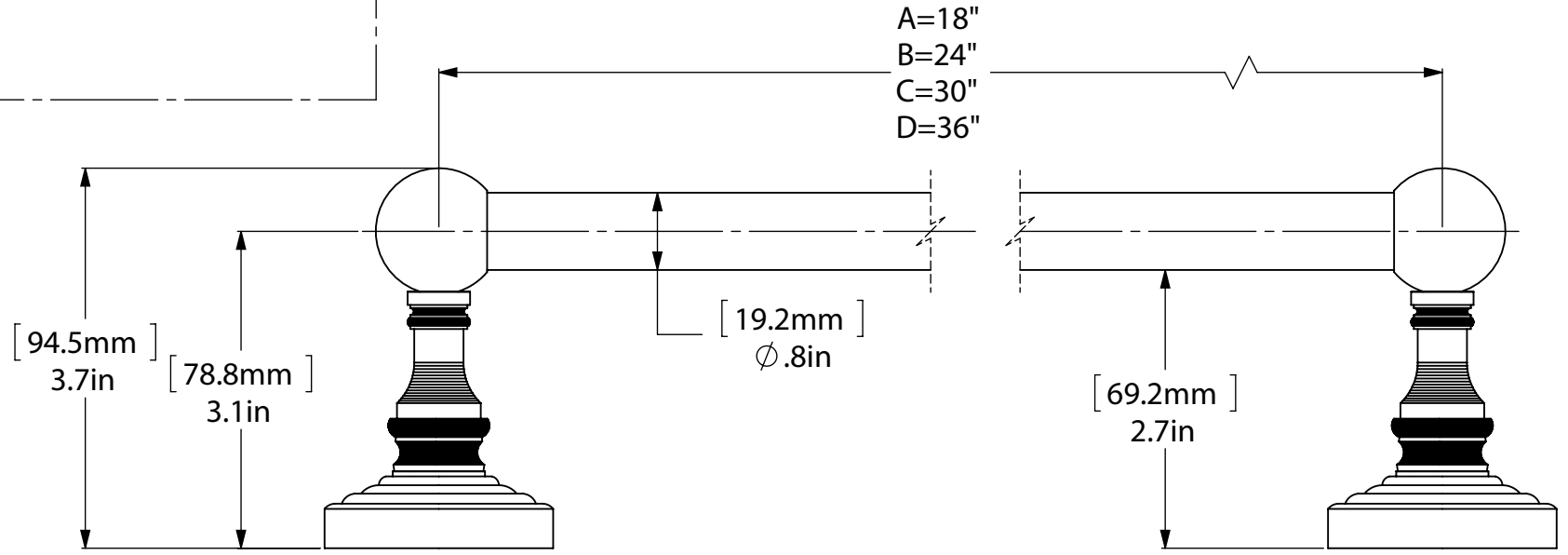
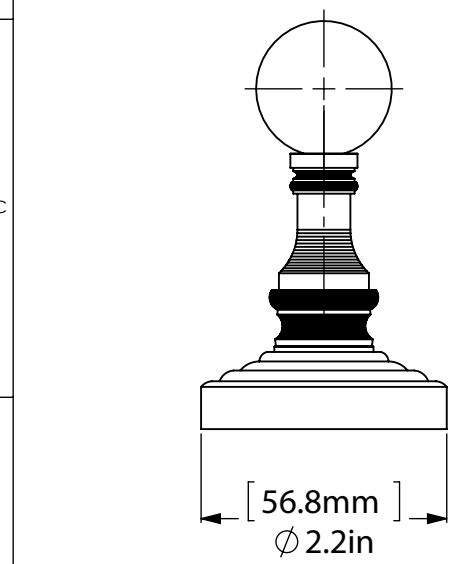



A	
TYPE	LENGTH
A	18"
B	24"
C	30"
D	36"

ITEM NO.	P/N	DESCRIPTION	QTY.
1	NKSL-58	Support	2
2	NKSL-1.25	Neck	2
3	BL34ST-1.25	Lock	2
4	TU34	Tube	1
5	BPWV	Base	2



CONFIDENTIALITY/LIMITED LIABILITY STATEMENT
 This document (and any files attached to it) is confidential and intended only for the person or entity to which it is delivered. If you are not the intended recipient, then you have received this document by mistake and any use, dissemination, forwarding, printing or copying of this document and its file attachments is prohibited. Please notify ALLIED BRASS INC. immediately either by telephone or by email, delete the misdirected document from your system and destroy any copies you have made of it. We do not accept any liability for any loss or damage which may arise from your receipt of this document.

UNLESS OTHERWISE STATED				INITIALS	DATE	ITEM	QTY	DRG/PART NO	CLIENT:				
DO NOT SCALE	X.XXX		+/-0.025	DESIGNED	IJM	3-16-13	MATERIAL	BRASS		WEIGHT		FINISH	TBD
DRAWING	X.XX		+/-0.1	DRAWN	IJM	3-16-13	HEAT TREAT	NA		QUANTITY	1		
CHAMFER ALL	X.X		+/-0.25	CHECKED	RANDRIS	3-16-13	CUSTOMER			CUSTOMER No	---		
EDGES 0.5X45°	X		+/-0.75	PROJ.ENG			DESCRIPTION:		Grab Bar Assembly		DRAWING No.	WP-41	
DRAWING ISO	ANGLES			SAFETY							REV	0	
FIRST ANGLE PROJECTION	X.XX		+/-0.05*	APPROVED	RANDRIS	3-16-13			SCALE	1:1.75	SHEET: 01	A4	
	X.X		+/-0.1*	FILENAME	WP-41								
	X		+/-0.5*										
			3.2										
			MACHINED FINISH										