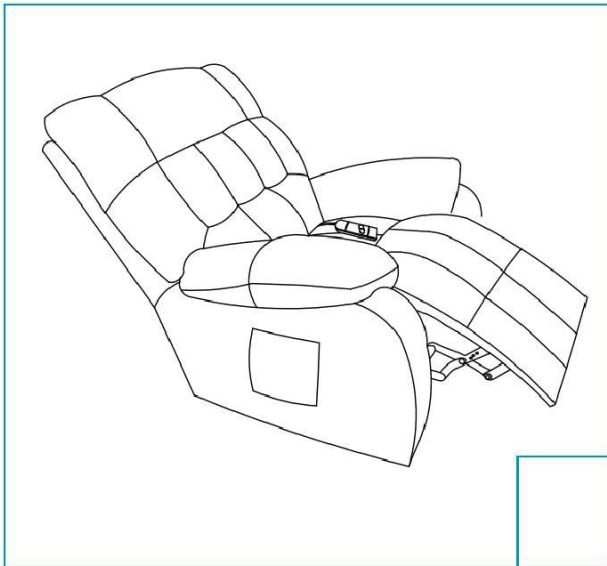
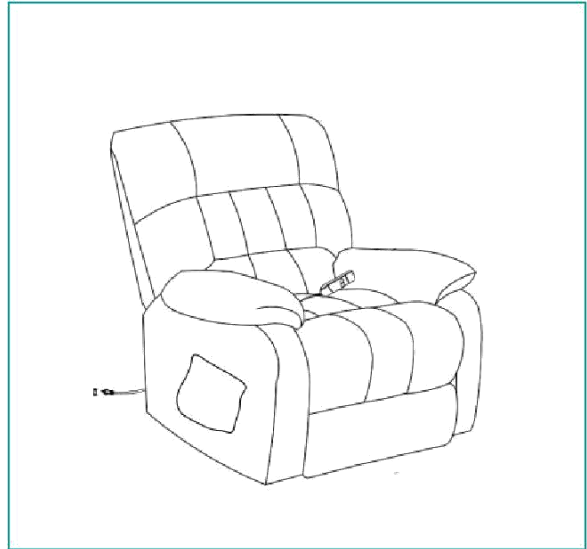


■
Recliner: The chair's dual-function operation allows you to recline and elevate your tired feet at once.

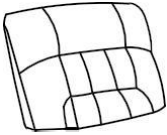


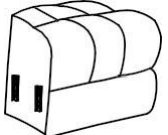

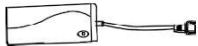

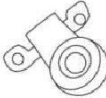




■
Durable mechanism: Rigorously testing 25000 times to ensure mechanical and building durability.

■
Deluxe Design: This lift chair is the perfect companion for any media room or living room.

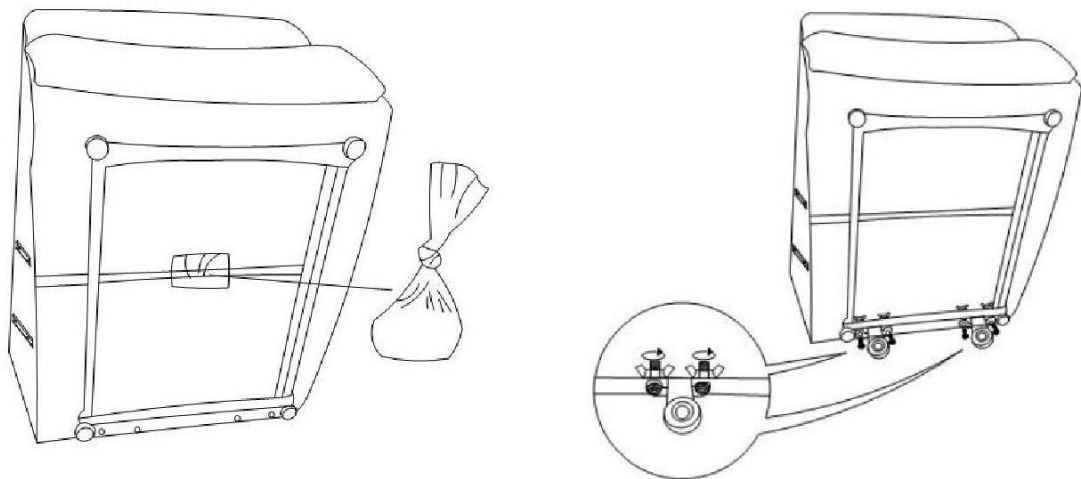


FITTING LIST

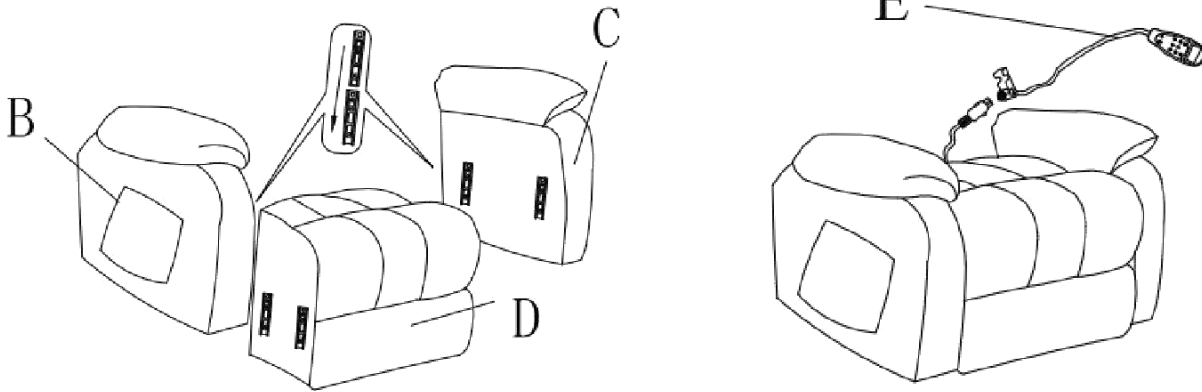
A*1 	B*1 	C*1 	D*1 		
Chair Back	Right Armrest	Left Armrest	Chair Seat		
E*1 	F*1 	G*1 	H*2 	I*4 	J*4 
Remote	Transformer	Power Cord	Supporting Foot	Screw	Gasket

ASSEMBLY INSTRUCTIONS

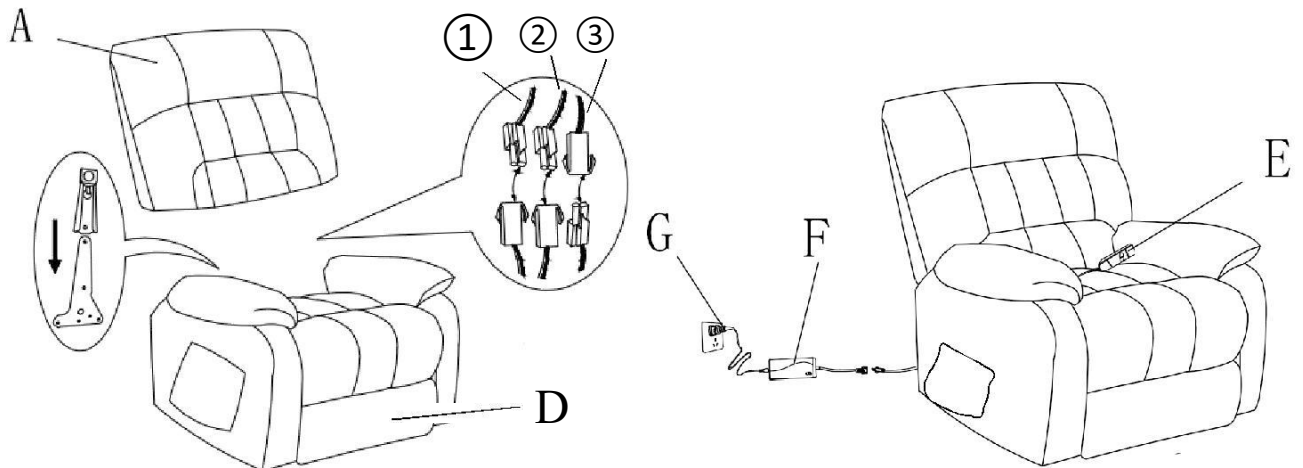
- STEP 1:** Find a small bag under the **Chair Seat (D)**. Take out **Supporting Foot(H)**, **Screw(I)** and **Gasket(J)** from the small bag. Assembly the two Supporting Feet as shown on the bottom of mechanism to avoid toppling and falling.



- STEP 2:** Attach **Right Armrest (B)** and **Left Armrest (C)** to **Chair Seat (D)** by aligning the metal grooves on **Chair Seat (D)**, **Right Armrest (B)** and **Left Armrest (C)**.





- **STEP 3:** Connect Remote(E) with the motor (Assembled under the seat).
- **STEP 4:** Attach **Chair Back (A)** to **Chair Seat (D)** by aligning the metal grooves on **Chair Seat (D)** and **Chair Back (A)**. Ensure the Seat Back slides down to the bottom of the **Chair Seat (D)**'s metal grooves.
- **Step 5:** Connect the power connection plugs (①②③) as shown behind the seat correspondingly.



- **STEP 6 :** Connect **Transformer (F)** with Motor (Assembled under the seat).
Connect **Power Cord(G)** with **Transformer(F)** as shown.

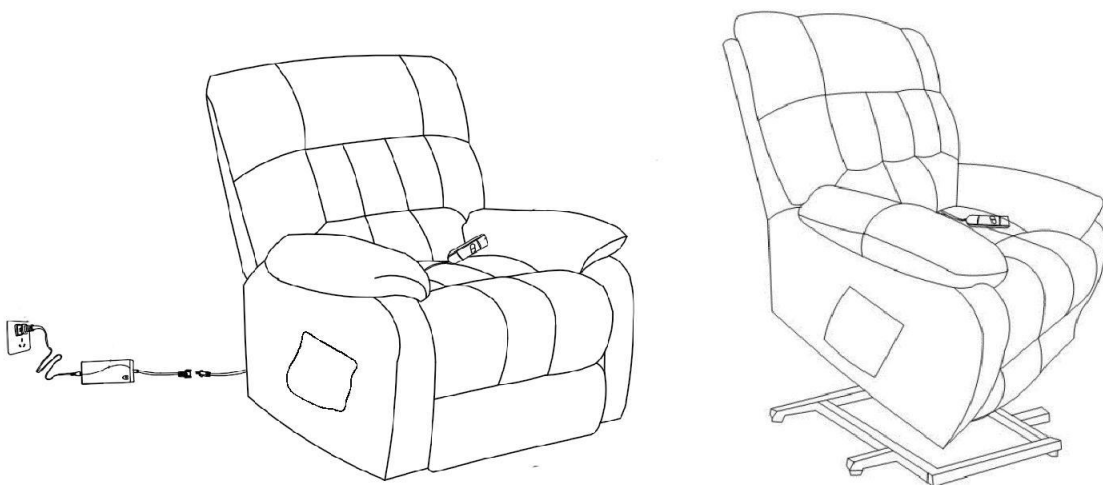
REMOTE OPERATION INSTRUCTIONS



- ❖ Press **ON/OFF** to start massage function. It runs from mode 1st to 10th in automatic style (signal  will be on, each mode switch to the next per 1 minute).
- ❖ Press **INTENSITY** to adjust the massage intensity (signal  will be on)
- ❖ Press **AUTO** to set automatic mode circle, and press it again to get back to manual style.
- ❖ Press **TIMER** to set up running time from 5 minutes to 60 minutes.
- ❖ Press **MODEΔ/MODE∇** to select different manual vibration mode.
- ❖ Press **POINT** to point the certain massage zone such as back or buttocks or thighs or legs.
- ❖ Press **HEAT**, the heating function will be on.

Press **UP/DOWN** to control the chair up and down.

USAGE INFORMATIONS

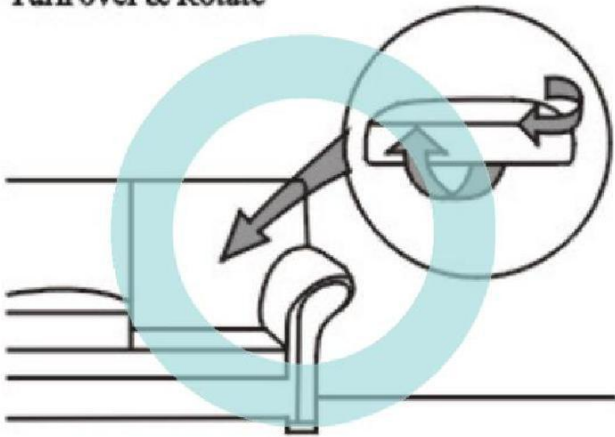


■ TO STORE OR CLEAN

Maintenance Instructions

Rotate reversible cushions regularly.

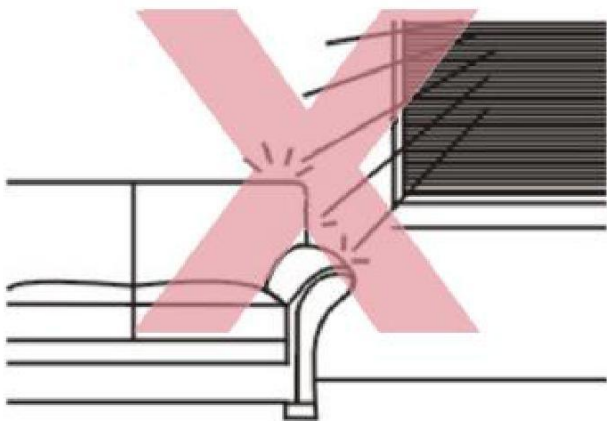
Turn over & Rotate



Vacuum your furniture regularly with upholstery tools



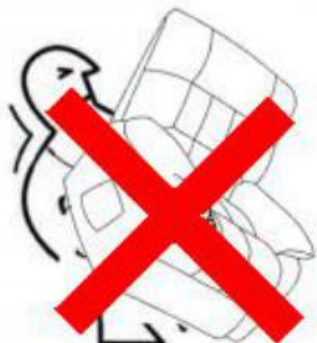
Do not expose your furniture to prolonged periods of direct sunlight.



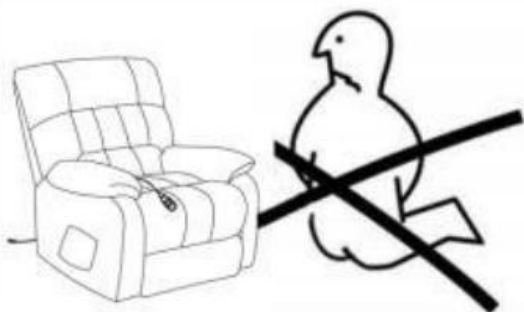
Do not place your furniture close to a radiator or similar heat source.



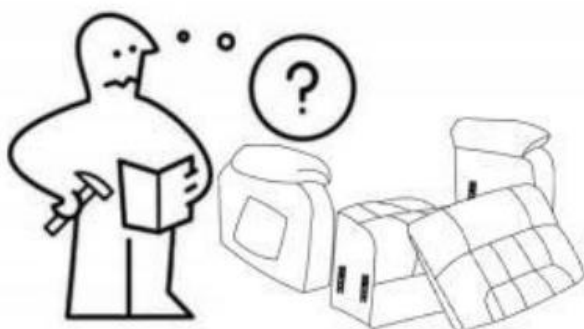
ATTENTIONS



Moving the chair carefully to avoid falling armrests hurting your feet



Put a carpet under the chair to protect your floor while assembling



ATTENTIONS

After installation, in order to ensure that the chair can work normally, please follow the steps below to check:

① Check all the cables are connected correctly.

Check if the cables under the seat is loosed or not.

The red wire should be connected to the red one.

The grey wire should be connected to the grey one.

The white wire should be connected to the white one.

② Check if the light of the transformer is on.

③ Check if the light of remote is on.

④ Make sure the motor have a weak buzz (48 decibel) if the three above steps are normal.

⑤ Use some lubricant on the joints motor and mechanism of the chair.

If the chair does not work properly, please tell us your checking result. It is best to shoot video and send it to our e-mail, we can understand your problem faster and more accurately.

Our engineer will see where is wrong with the chair and provide you a satisfied solution.

(If the parts were broken, we would like to send the replacement parts to you.)