

Owner's Manual - Basic Setup Dimensions & Assembly Notes

Place the set on level ground, not less than 6'-7" [2 m] from any structure or obstruction such as a fence, garage, house, overhanging branches, laundry lines, or electrical wires.

- While assembling unit, take time before and after each phase to make sure fort is level. If fort is not level, assembly will be difficult and improper assembly may result. Extra care must be taken to insure the fort is square.
- The safe play area refers to a zone extending 6'-7" (2 m) beyond the play product on all sides, including the space above the play product.

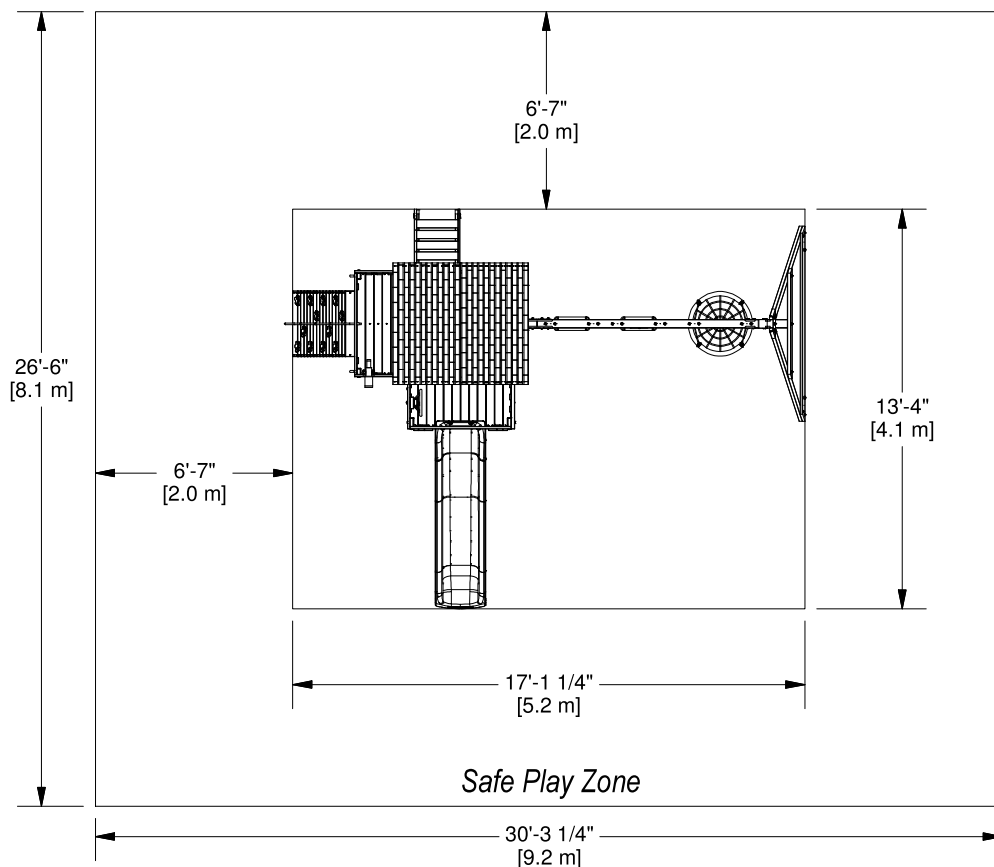
SAFE PLAY AREA DIAGRAM

Ground Dimensions

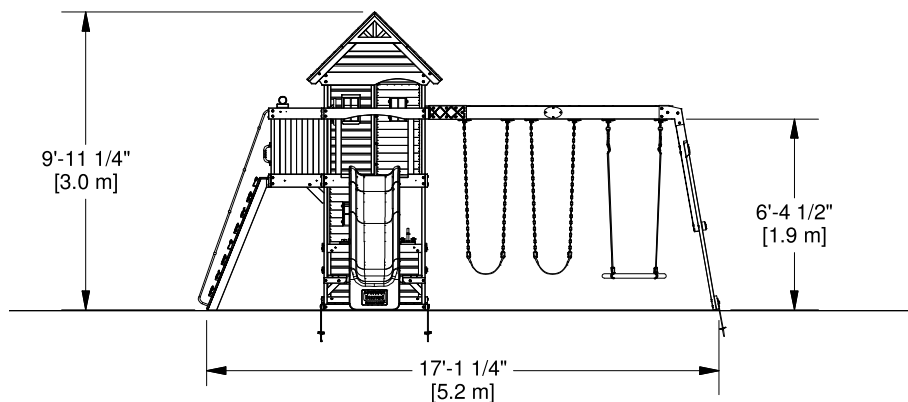
13'-4 1/4" [4.1 m] x 16'-4 1/4" [5.0 m]

Safe Play Area

26'-6 1/4" [8.1 m] x 29'-6 1/4" [9.0 m] x 16'-6 1/4" [5.0 m]



SAFE PLAY HEIGHT: 16'-6 1/4" [5.0 m]
MAXIMUM FALL HEIGHT: 6'-4 1/2" [1.9 m]



General Information:

Your set has been designed and engineered for children only and for residential use only.
A maximum of 150 lbs. per child is recommended for play activities designed for individual use.
A maximum of 120 lbs. per child is recommended for play activities designed for multiple child use.
A maximum of 9 children is recommended for this swing set.