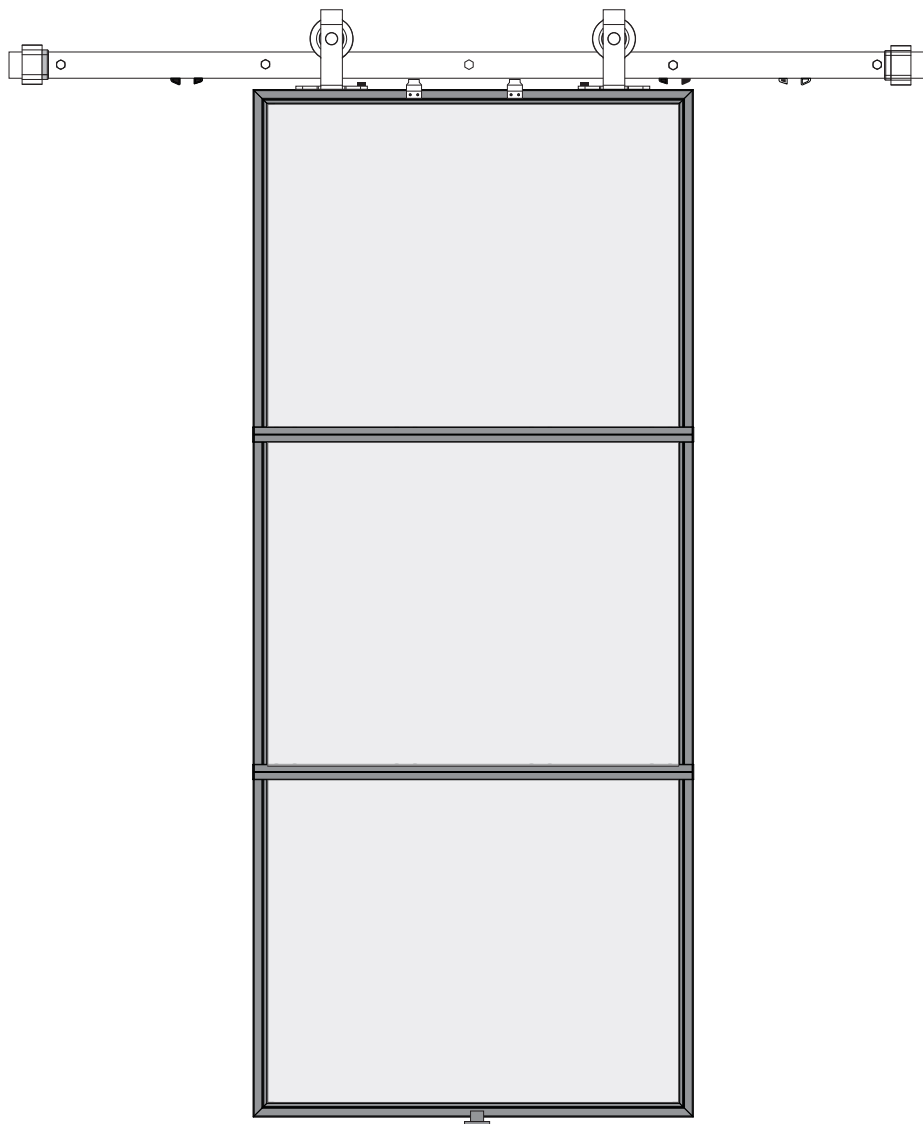


3 Pieces Glass Barn Door with Frame

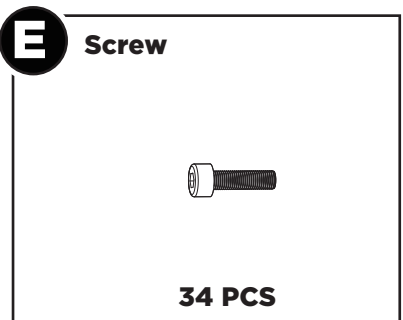
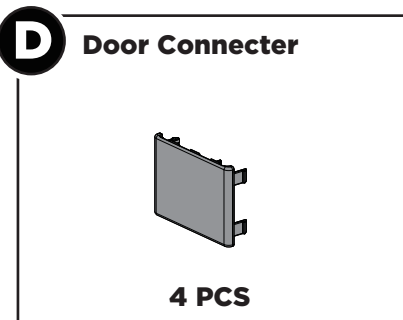
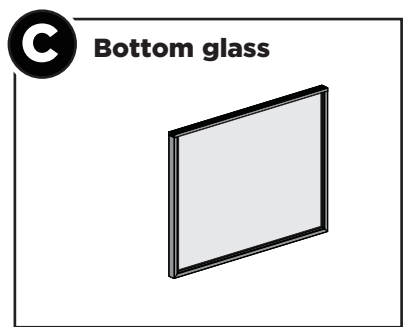
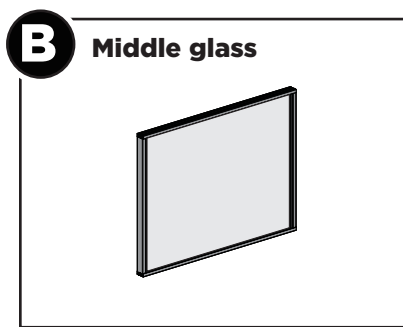
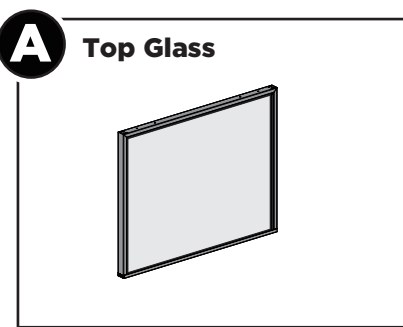
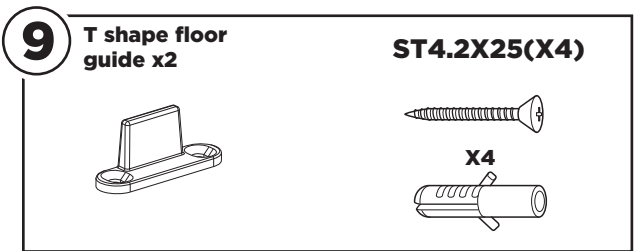
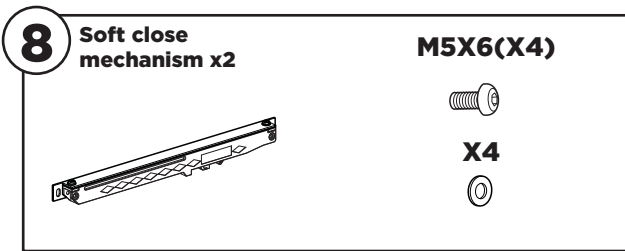
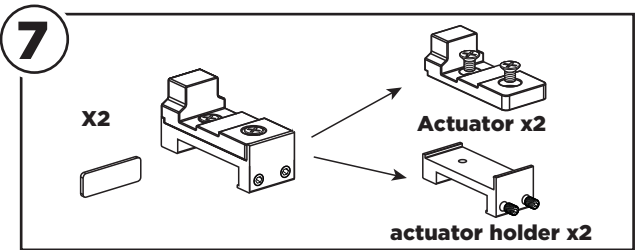
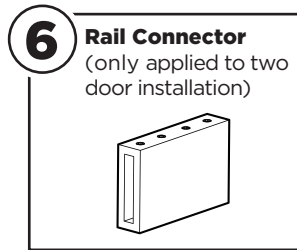
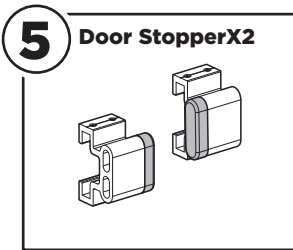
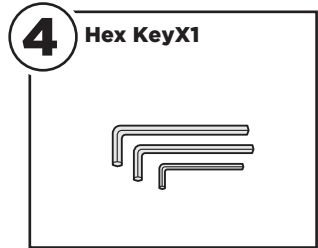
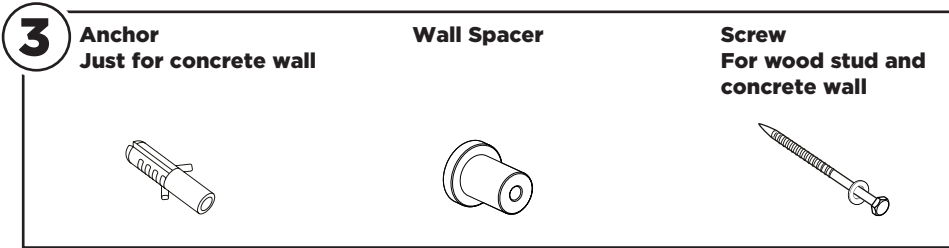
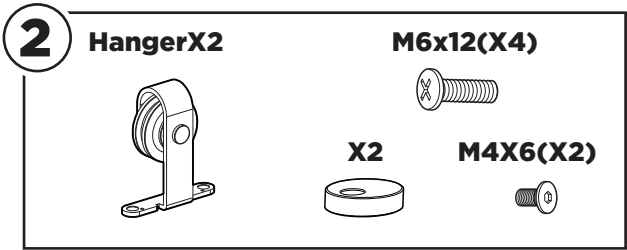
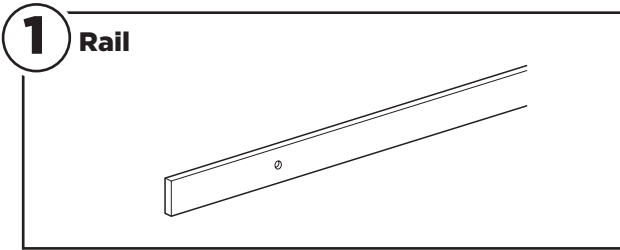
INSTRUCTION MANUAL



OPERATION CAUTIONS:



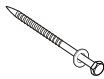
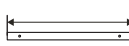
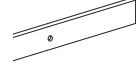
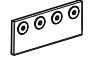
Please read this installation guide carefully before installation.
Please refer to the relevant content of this store for more product use.

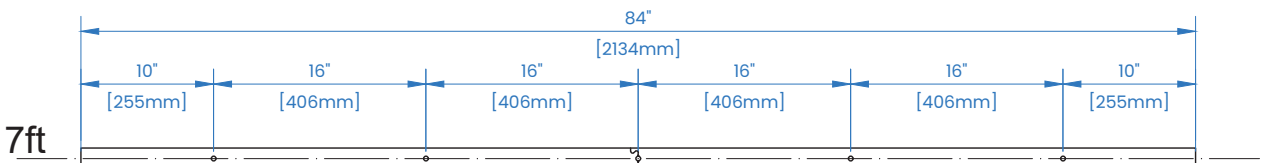
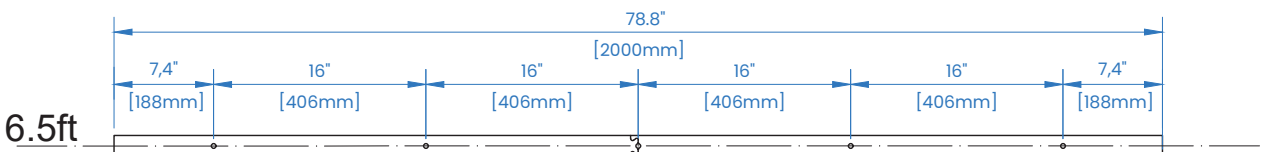
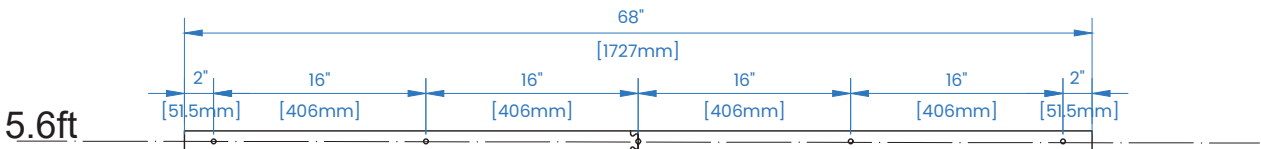
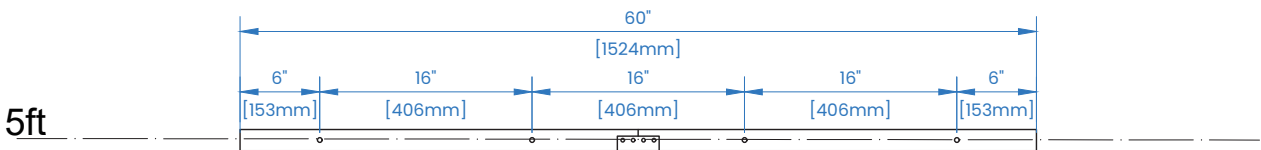
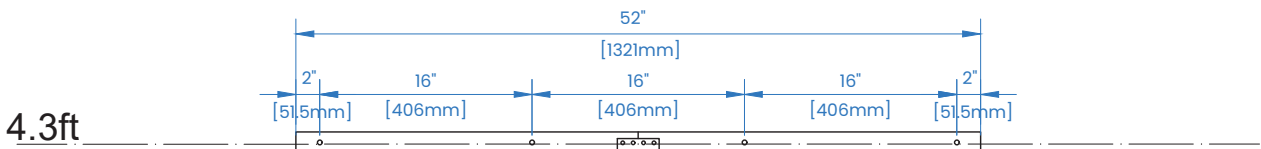
Hardware



Hardware

Number of Parts in Different Sizes

						
Door Part Name	Ø10mm Anchor	Wall Spacer	M8x90mm Screw	Track Length	Rail	Connector
24inX84in	4	4	4	4.3ft	2	1
26inX84in	4	4	4	4.3ft	2	1
28inX84in	4	4	4	5ft	2	1
30inX84in	4	4	4	5ft	2	1
32inX84in	5	5	5	5.6ft	2	—
34inX84in	5	5	5	5.6ft	2	—
36inX84in	5	5	5	6.5ft	2	—
36inX96in	5	5	5	6.5ft	2	—
38inX84in	5	5	5	6.5ft	2	—
38inX96in	5	5	5	6.5ft	2	—
40inX84in	5	5	5	7ft	2	—
40inX96in	5	5	5	7ft	2	—
42inX84in	5	5	5	7ft	2	—
42inX96in	5	5	5	7ft	2	—



Tools required



Speed Square



Pencil



Phillips
Screwdriver



Tape



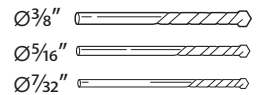
Wrench



Level

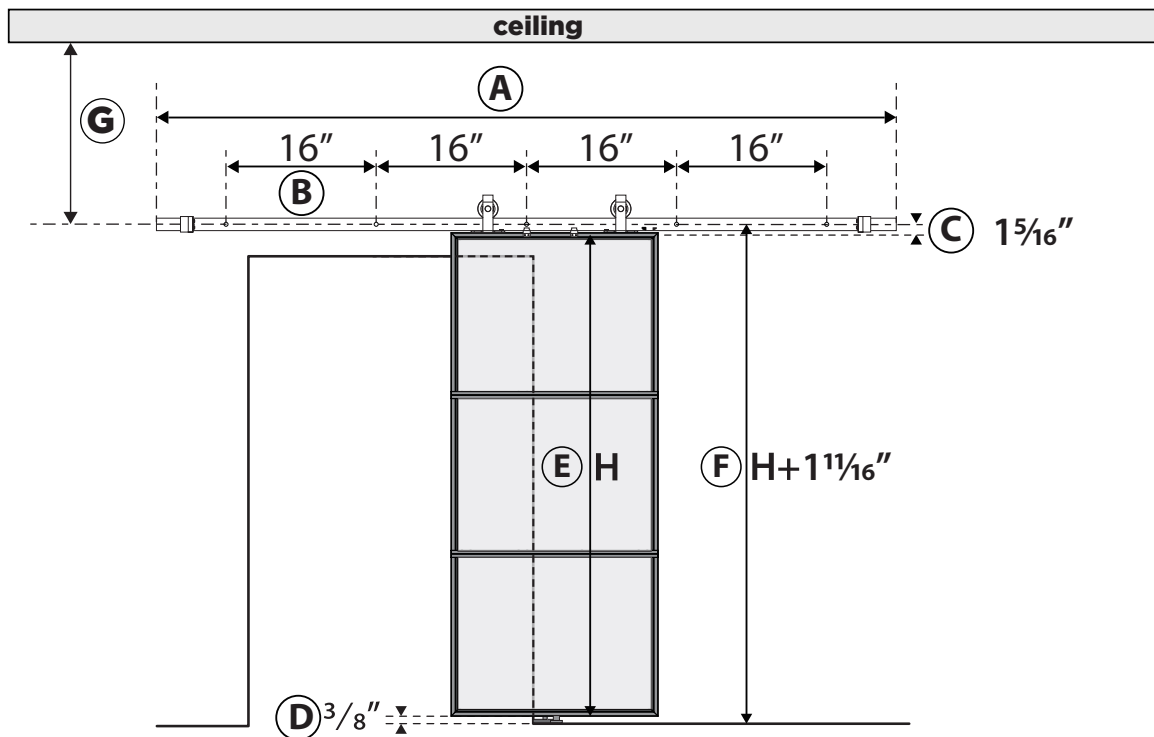


Drill



Drill Bit

Measurements



- A** Overall Rail length is 4.3ft/5ft/5.6ft/6.5ft/7ft.
- B** The gap between each pre-drilled hole is 16".
- C** Distance from door top side to holes on the wall is 1 5/16".
- D** Distance from the bottom of the door to the floor is 3/8".
- E** Door height is H.
- F** The height of holes on the wall is H+1 1/16" (Measuring up from the floor).
- G** Minimum distance from the rail hole to the ceiling is 6" (T shape).

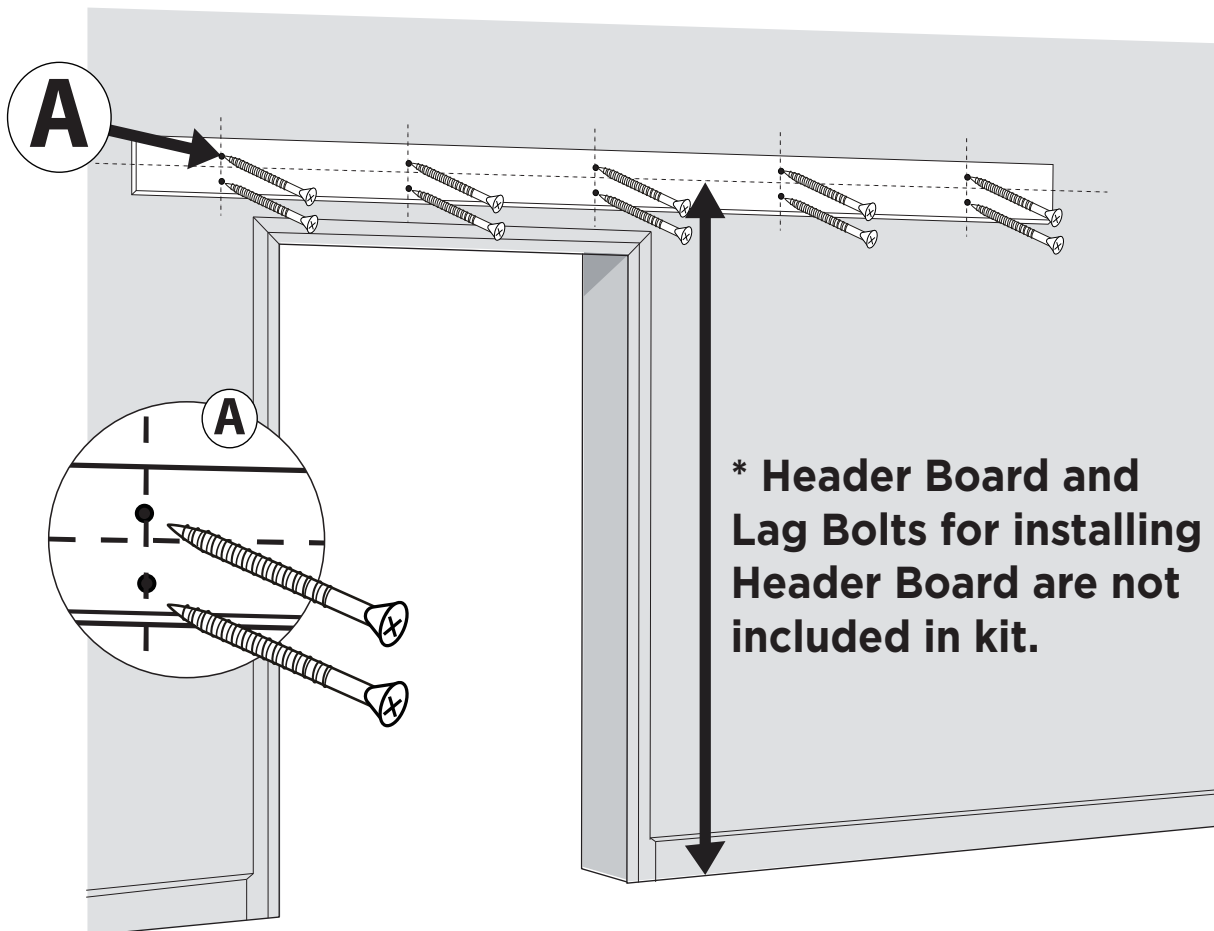
Important Notes

It is very important to determine whether you will be installing a Header Board prior to installing the track.

Due to many overlapping factors such as the location of wall studs (Our rail come with pre-drilled holes every 16" on center), the weight of a barn door and the various types of trim used in homes, we recommend using a Header Board in all situations.

Please install a Header Board above the door opening directly into studs.

Header Board must be solid wood and measure at least the full length of the track or longer

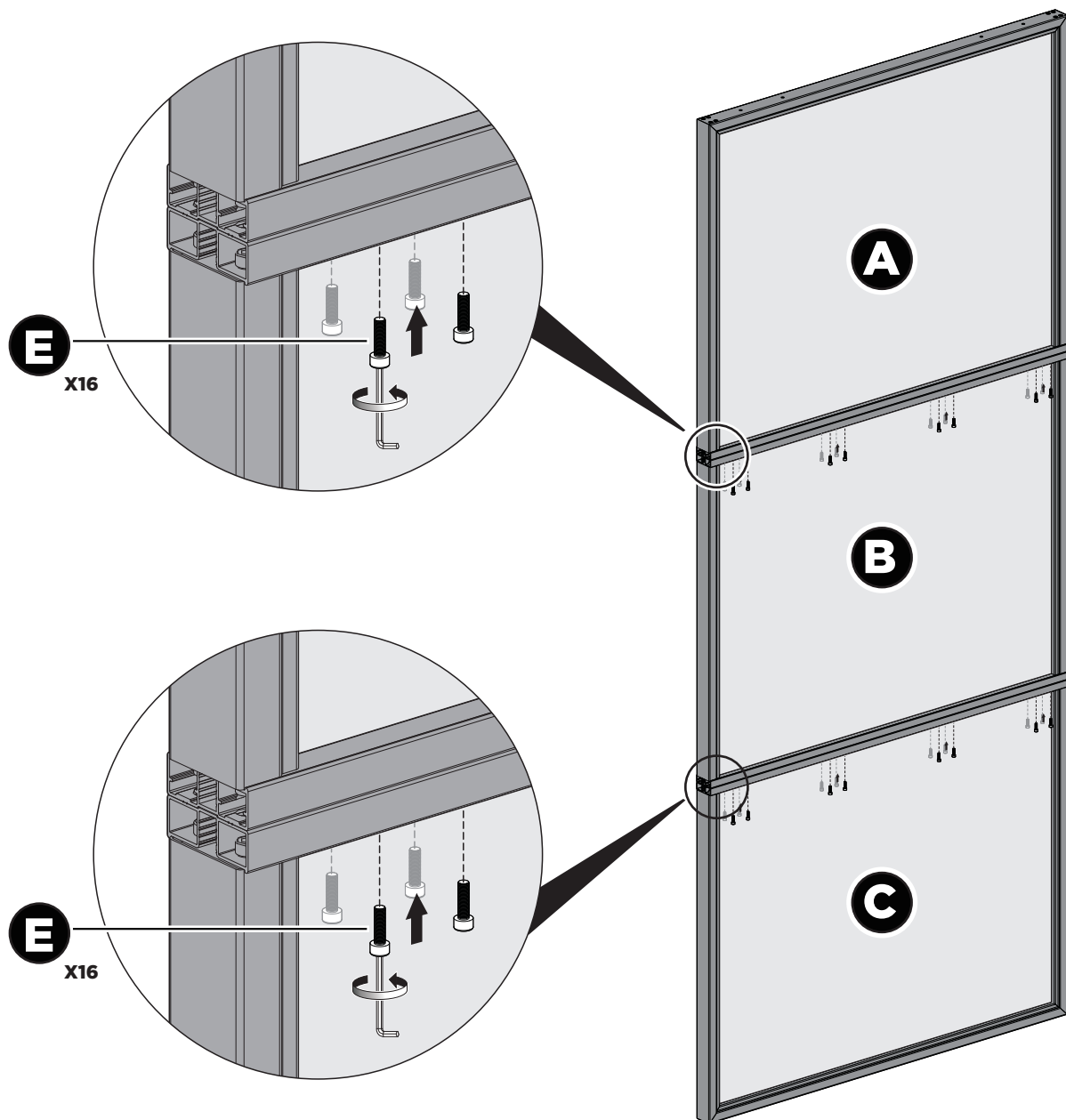


Product Assembly

Step-1

Place part A on top of part B, screw them with screws (E), do not fully tighten
Place part B on top of part C, and screws them, do not fully tighten
Use a level to check if three parts are aligned and then tighten them

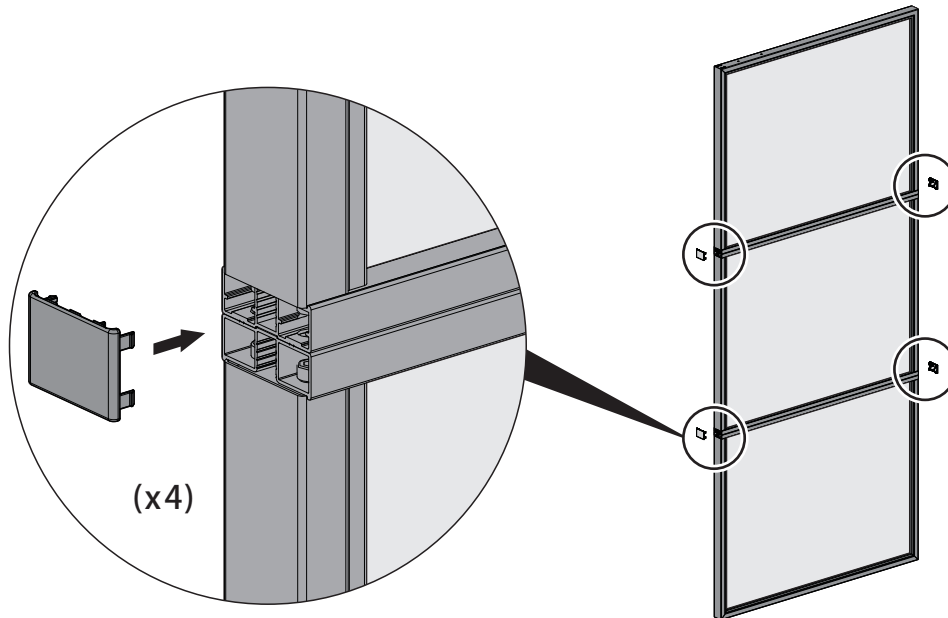
**Note: The glass is one-side frosted, please check the frosted side before assembling.
The frosted side provides better privacy than the non-frosted side.**



Product Assembly

Step-2

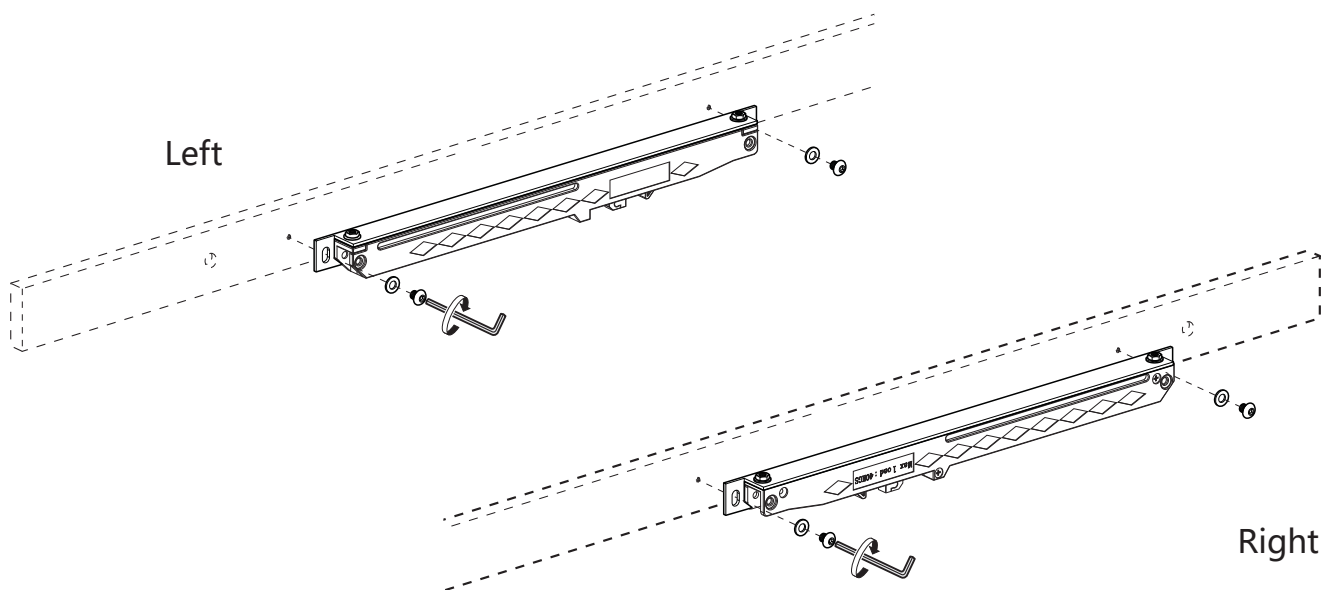
Cover the junction point with door connectors (D)



Step-3

Install soft-close mechanism to track.

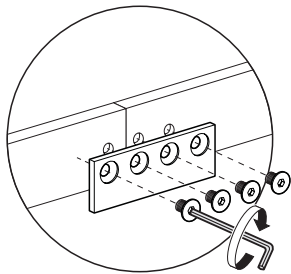
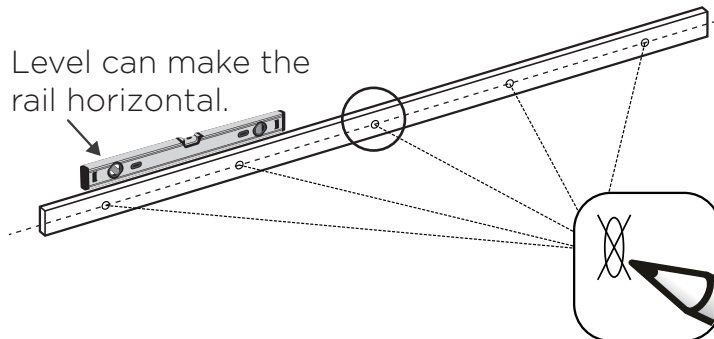
In the two ends of the rail, there are two smaller pre-drilled holes for the soft-close mechanism. Install the soft-close on both ends of the track separately, but do not fully tighten screws for later adjustment. The mechanism is different in left and right side. Please check with the direction to ensure installing the mechanism correctly.



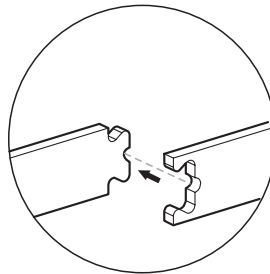
Product Assembly

Step-4

Place the rail against the wall, and use a pencil to mark where the holes should be. Make sure the height of holes on the wall is $H+1\frac{1}{16}"$.



Connector connection method



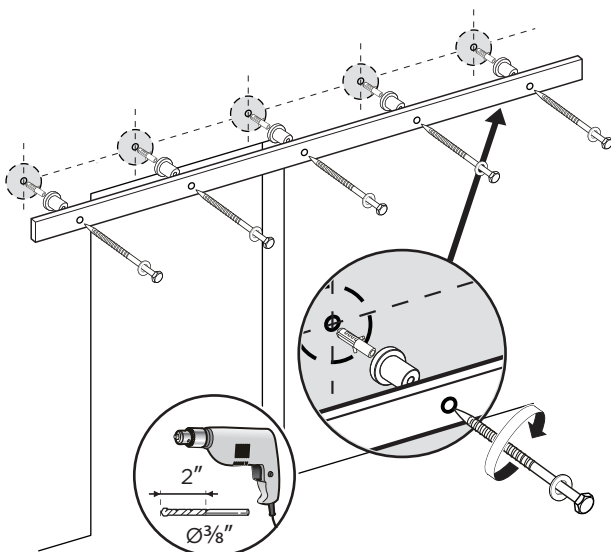
Wedge embedded connection method

Step-5

We provide 2 kinds of screws for you to install rail onto concrete wall or drywall.

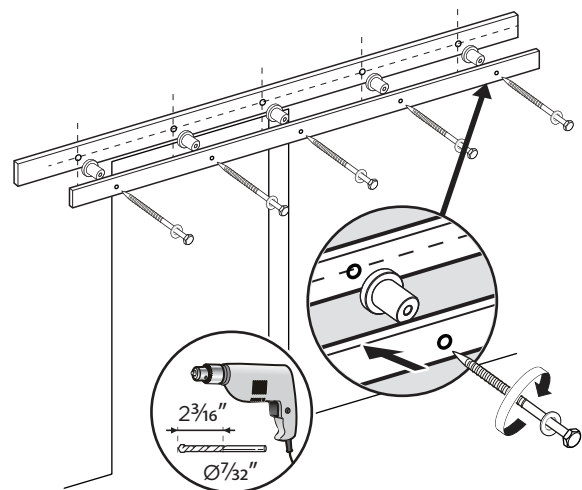
A Concrete wall Installation.

Install the anchor to holes on the concrete wall first, then install lag bolt to anchor.



B Drywall Installation.

Install the lag bolt to wood stud or header board directly.

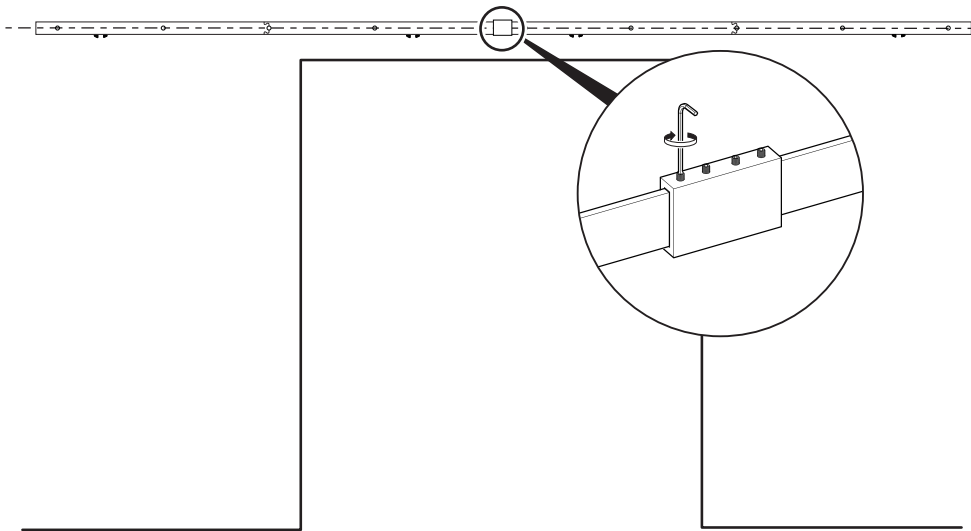


Product Assembly

Step-6

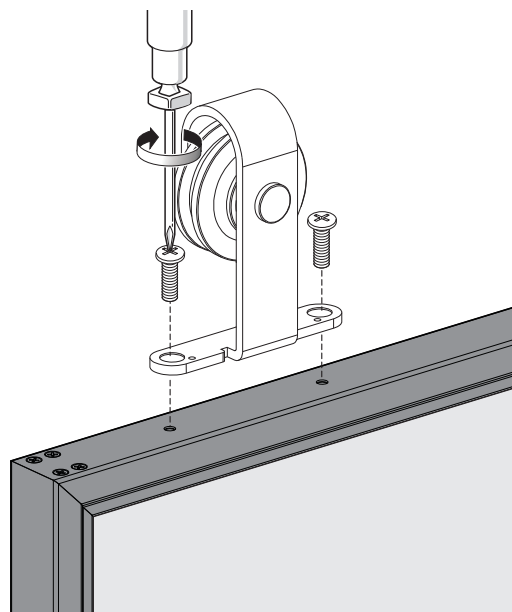
For two door installation, proceed with the step 6. If installing a single door, skip to **Step-7**.
Note: When the two rails are connected, the distance between the two end holes of rails is not 16 inches.

- A. Insert the rail connector.
- B. Insert the other rail to the connector and install the rail onto the wall.
- C. Tightened up the screws in the rail connector



Step-7

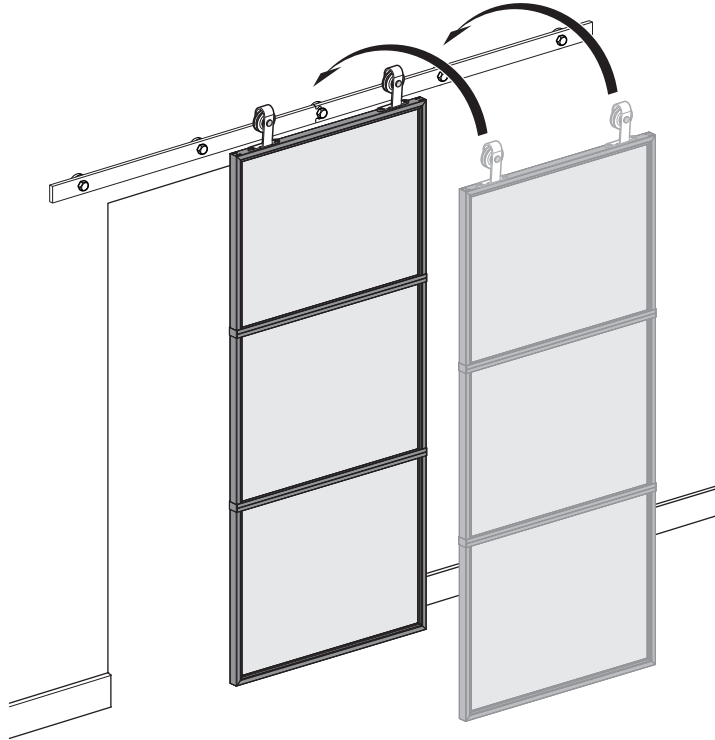
Install hangers on the top side of the door using door lag bolts as the picture below.



Product Assembly

Step-8

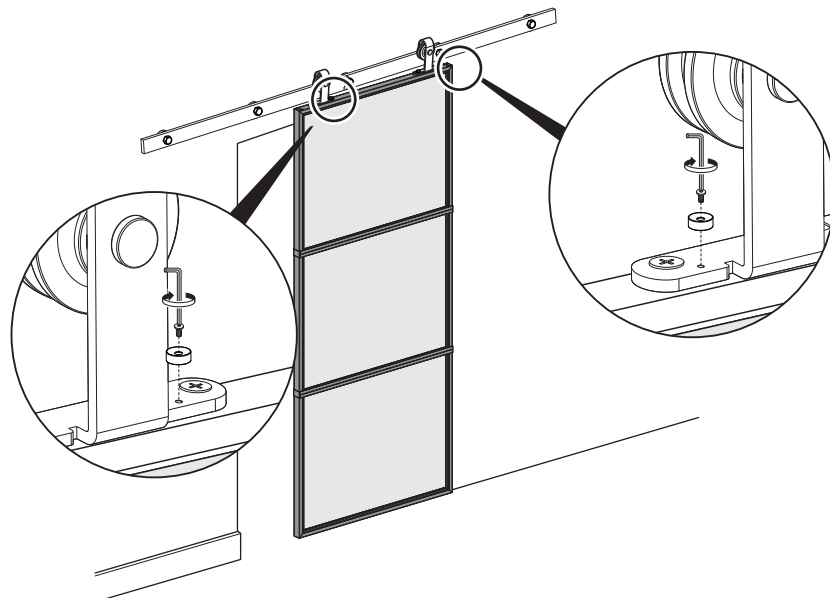
Hang the door over the rail.



Step-9

Install anti-jump pads

The anti-jump pads are used to prevent the door from falling off the track during use. Please install the anti-jump pads onto the hanger as shown below.



Product Assembly

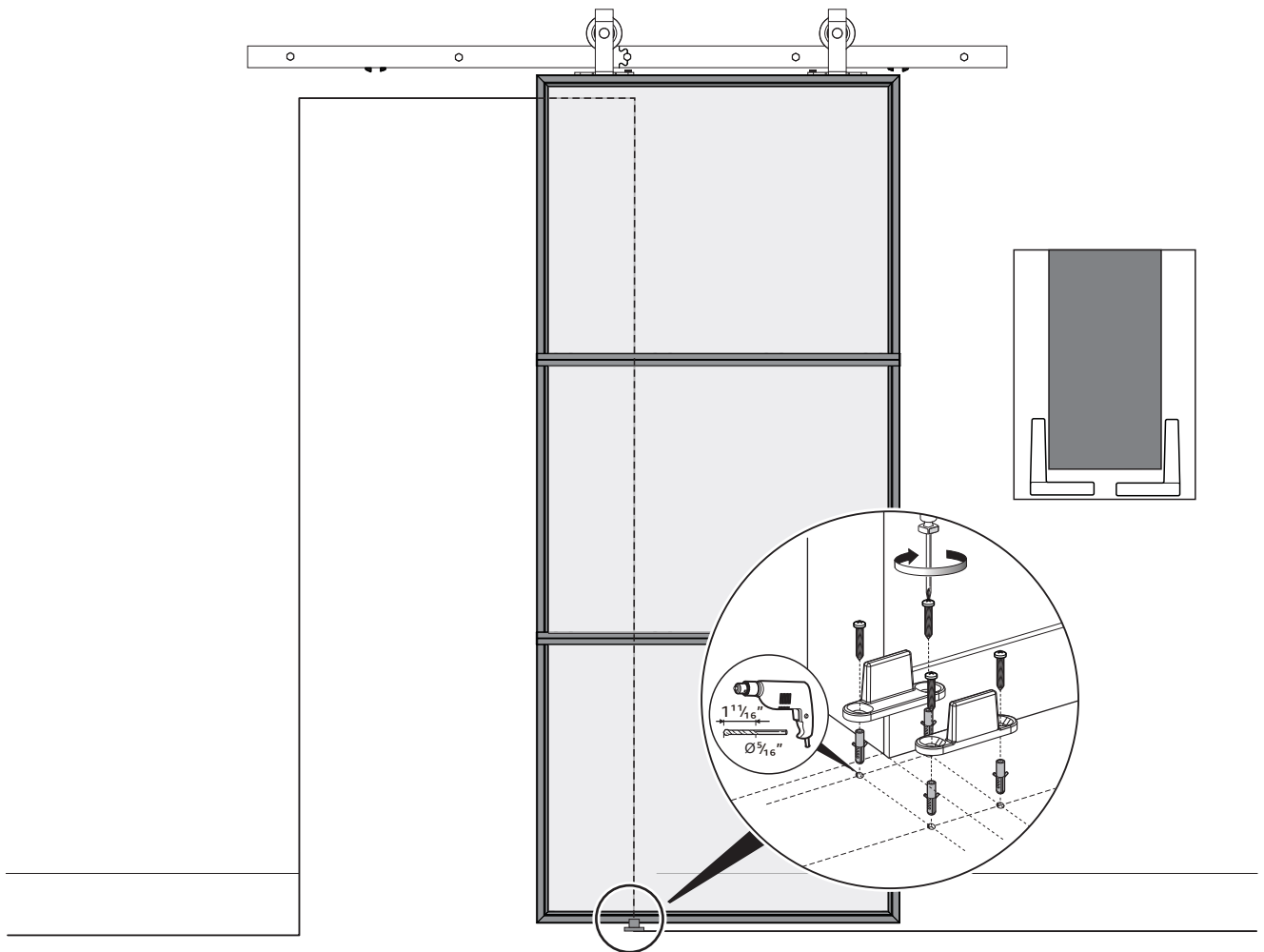
Step-10

Install floor guides

Put floor guide on the floor and mark where the door can slide within the floor guide.

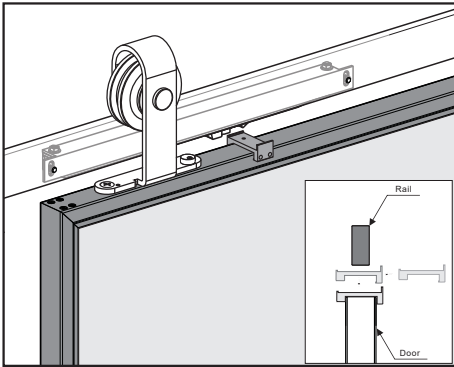
Drill holes at the marks, and then install the floor guide.

The floor guide is used to keep your door stable and prevent the door bottom swinging back and forth when you slide it open and closed.

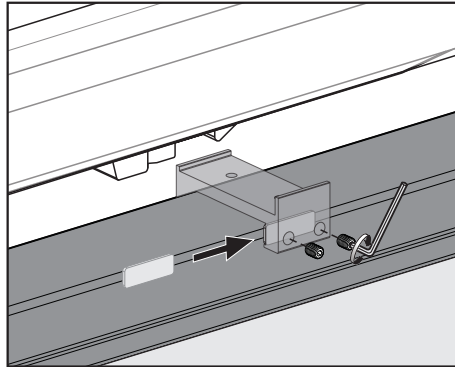


Product Assembly

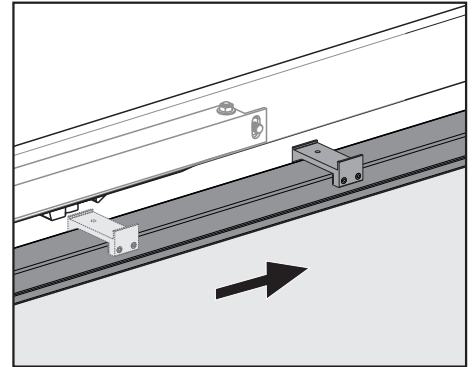
Step-11



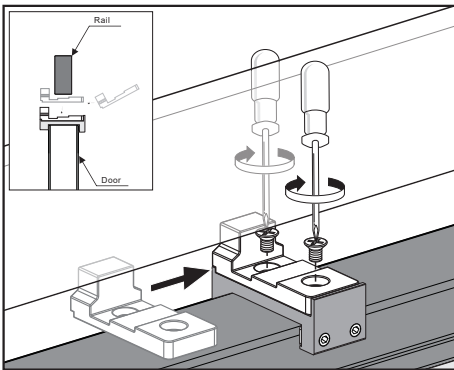
① Slide door to the left, and install the actuator holder directly beneath the slider.



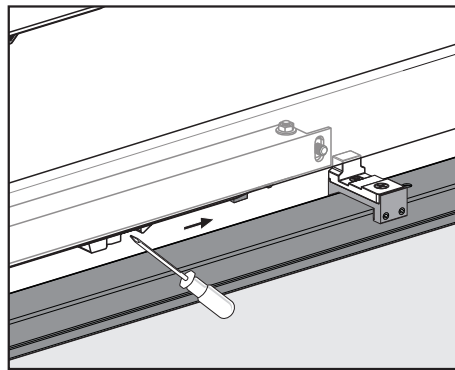
② Insert the iron sheet into the actuator holder and then secure the actuator holder. The iron sheet acts as the screw washer.



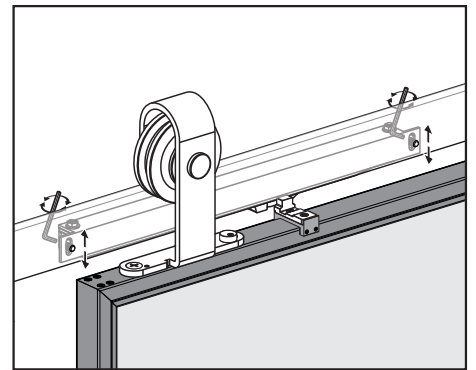
③ Slide the door to the right until the actuator is not obstructed by the soft-close mechanism



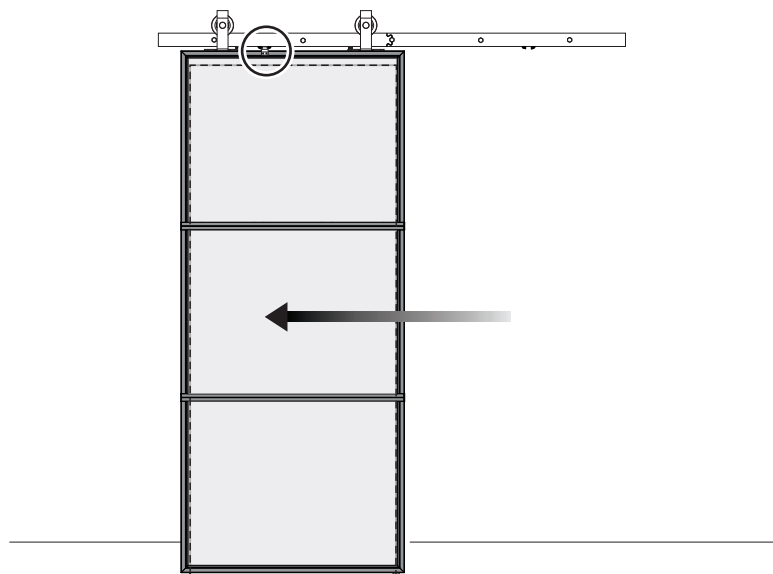
④ Install the actuator into the actuator holder, and screw it.



⑤ Open the slider to the right. It will be easier to open the slider with a screwdriver

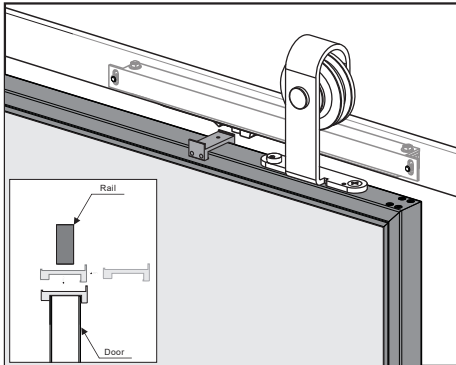


⑥ Slide the door left and right, and adjust the soft close mechanism up and down, to make sure the door can be stopped softly and then use hex key to tighten the screws.

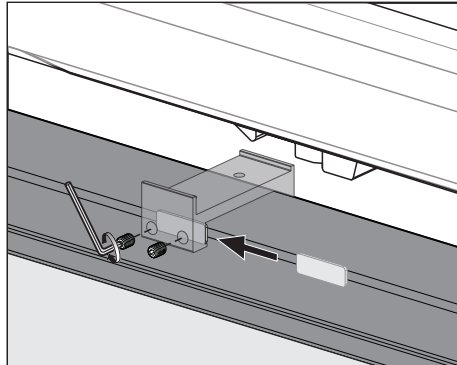


Product Assembly

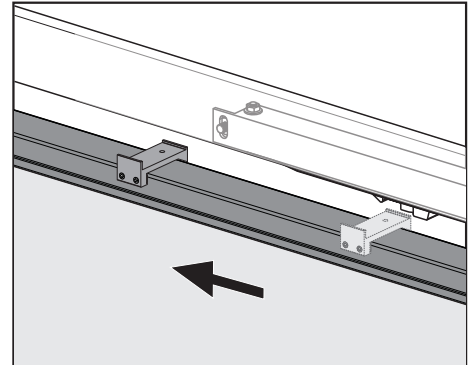
Step-12



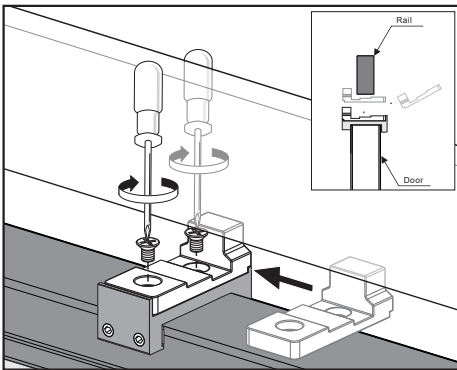
① Slide door to the right, and install the actuator holder directly beneath the slider.



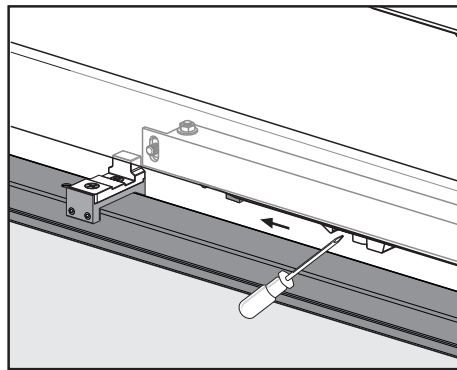
② Insert the iron sheet into the actuator holder and then secure the actuator holder. The iron sheet acts as the screw washer.



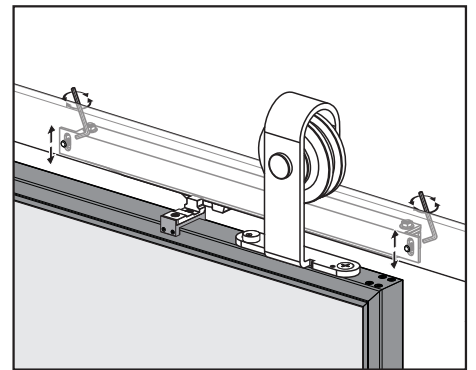
③ Slide the door to the left until the actuator is not obstructed by the soft-close mechanism



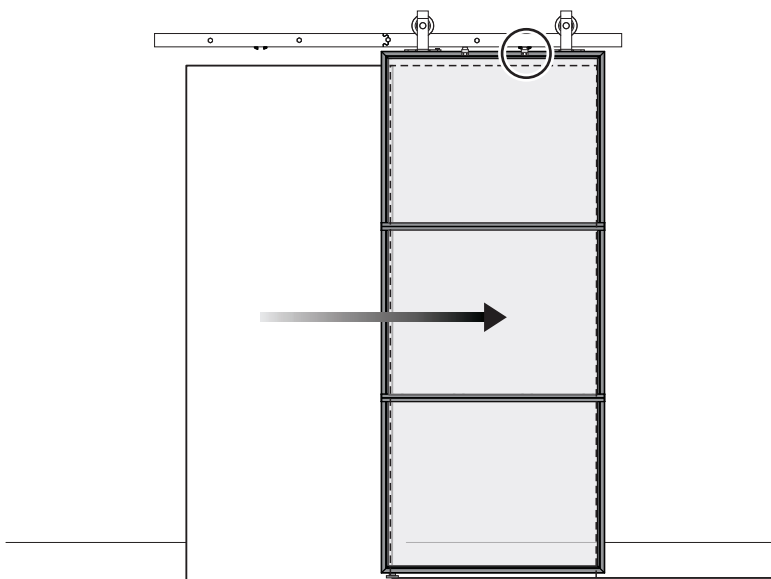
④ Install the actuator into the actuator holder, and screw it.



⑤ Open the slider to the right.



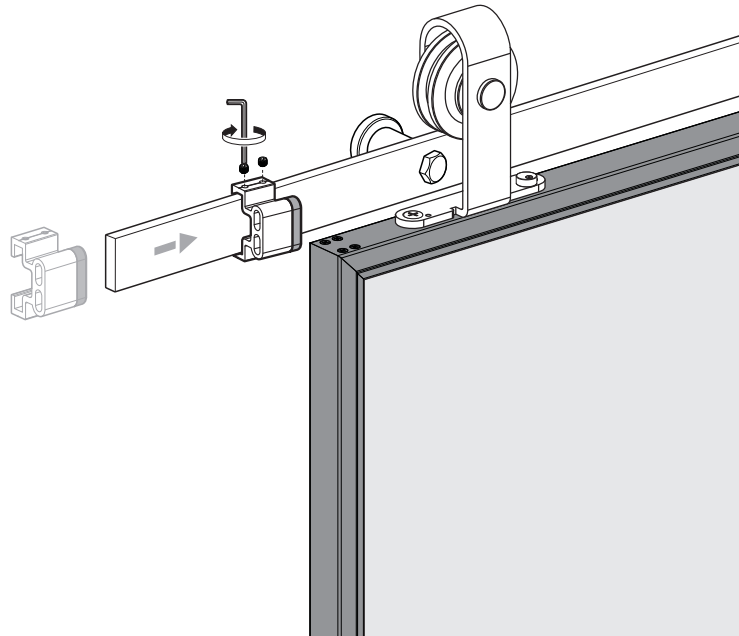
⑥ Slide the door left and right, and adjust the soft close mechanism up and down, to make sure the door can be stopped softly and then use the hex key to screw the soft-close mechanism tighten.



Product Assembly

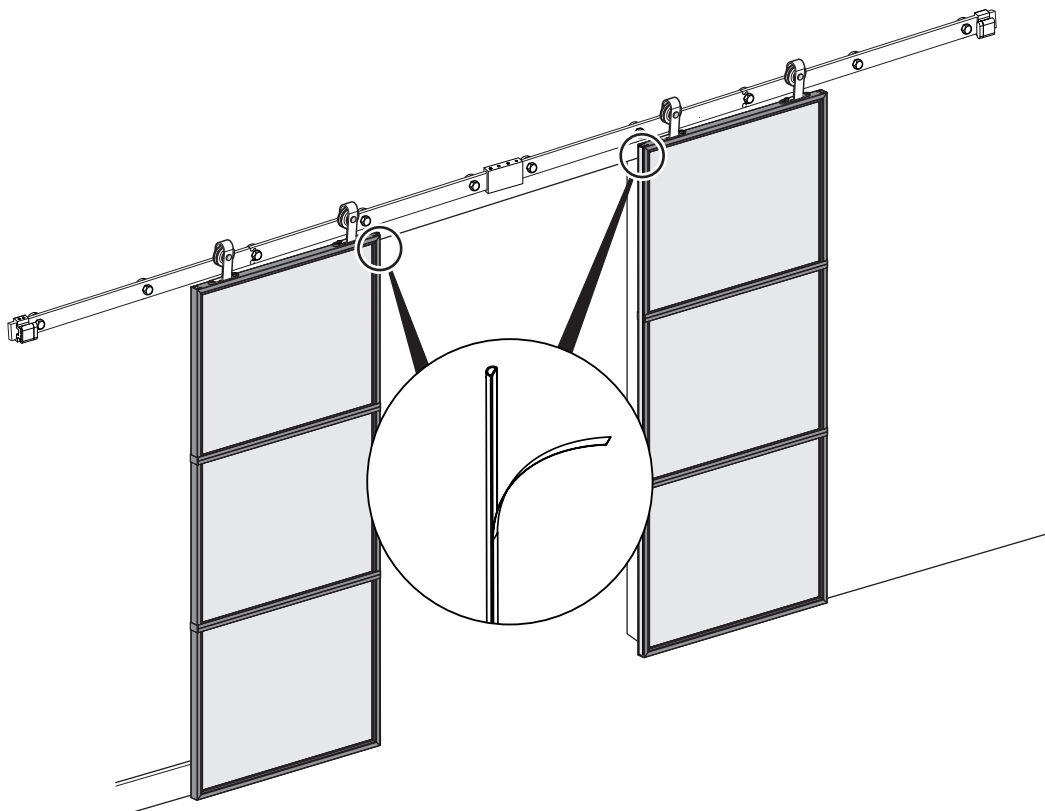
Step-13

Insert the left and right door stoppers into both sides of the rail. Door stopper is used to prevent the hangers coming out of the rail. If installing a single door, the installation is complete. For two door installation, please proceed to complete **Step-14**.



Step-14

Peel off the outer paper from the rubber strip and stick it to the inner sides of the two doors.



WARNING

Read instruction fully before starting the installation. Not following the installation instructions may cause the unit to work in unsafe manner and cause injury.

The barn door kit has been designed to work as a total system. Any modification to the door or the hardware will void the warranty and may cause the unit to work improperly.

Always wear appropriate personal protection equipment when using tools and follow manufacturer's operating instructions.

The weight of the barn door requires 2 people during installation.



CAUTION

Mishandling of heavy objects (i.e., doors) may cause a loss of balance and serious injury. Always be sure you have a secure hold on the object and are balanced before moving the object. Always wear safety shoes when lifting heavy objects.

Getting body parts (i.e., hair, fingers) caught in moving parts may cause pinching and serious injury. Do not put fingers in parts that may move and always remove or contain anything on your body that may become entangled with a moving part.

Closing sliding doors with your hand on the end of the door may result in your hand, or fingers, getting caught between the door and other solid objects (i.e., another door, molding) causing serious injury. Always use the door handle to close doors.

Usage Statement

Use of excessive force when opening and closing the door(s) may result in damage to the hardware. Always hold the handle to gently move the door(s).